

MODELO KL445DA GALVANIZED STEEL ADJUSTABLE AND DRAINABLE LOUVER

- Galvanized Steel drainable type blades
- Manual actuator
- Open from 0° to 45°
- Free area 40%
- Intermediate angle each 60"
- Panels over 60" wide have a vertical interior angle at approximate center of panel
- Optional accessories: Electric actuator, Birds screen, Insects screen and Filter
- Test square louver 48" x 48"



CONSTRUCCION:

Aluminum frame and Galvanized Steel blades (Galvanneal)

FINISH:

Electrostatic paint colors special order.

PERFORMANCE:

Recommended free area velocity: 713.1 ft / min.

Pressure drop of 0.09" Sch. water column.

Penetration rainwater is 0.01 ounces per square foot of area free in a test of 15 minutes

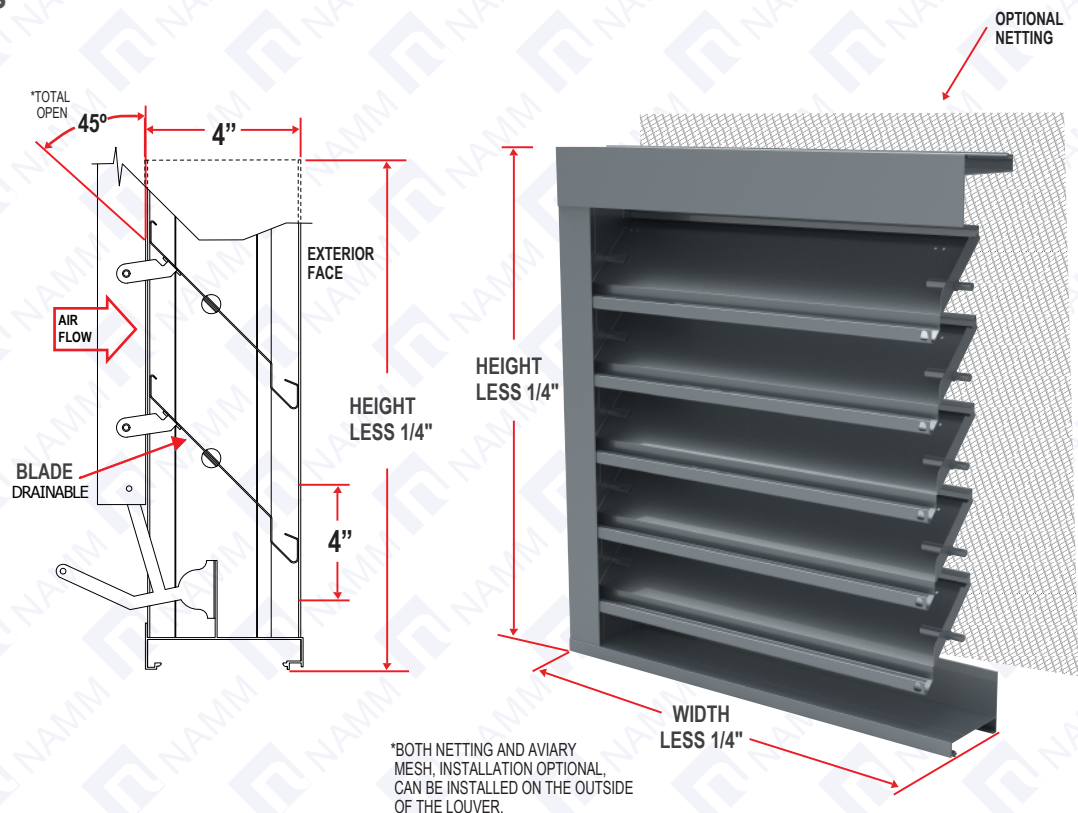
Dimensional Details



"Grupo Namm S.A. de C.V. certifies that the Model KL445DA shown herein is licensed to bear the AMCA Seal

The ratings shown are based on tests and procedures performed in accordance with AMCA Publication 511 and comply with the requirements of the AMCA Certified Ratings Program.

The AMCA Certified Ratings Seal applies to water penetration and air performance ratings only."



*BOTH NETTING AND AVIARY MESH, INSTALLATION OPTIONAL, CAN BE INSTALLED ON THE OUTSIDE OF THE LOUVER.



NAMM

grupo namm, s.a. de c.v

mtv,nl (81) 1292 4019

cdmx (55) 5264 2606

www.namm.com.mx



This catalog is protected by several patents and industrial designs.

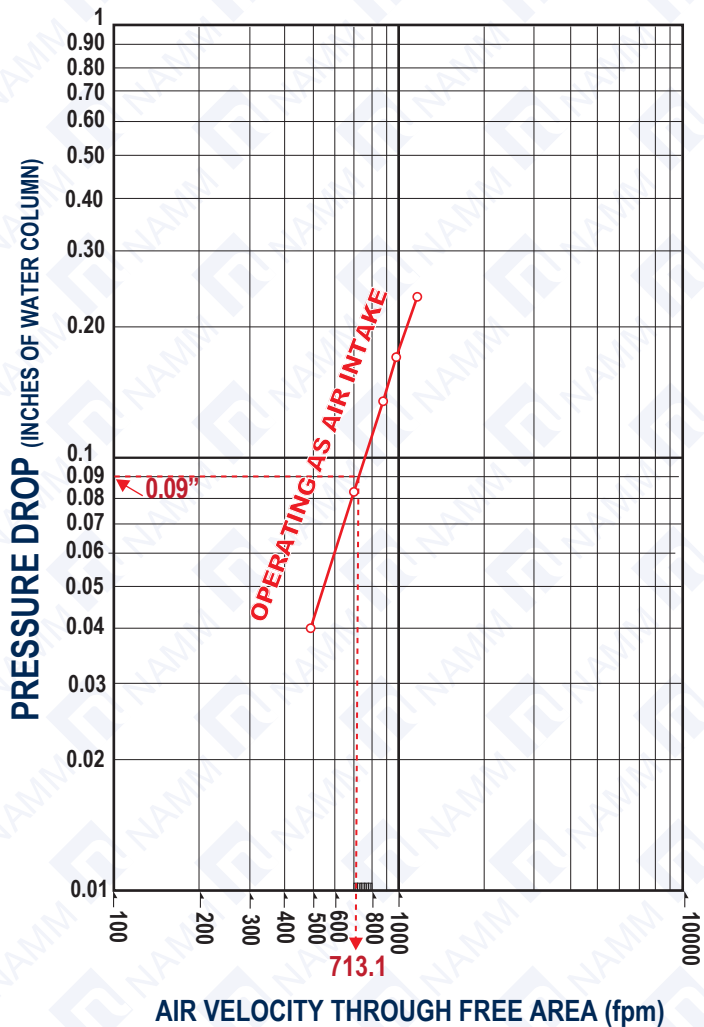


FREE AREA OF THE ADJUSTABLE LOUVER WITH DRAINABLE BLADES MODEL KL445DA (ft²)

		LOUVER WIDTH INCHES														
		12	18	24	30	36	42	48	54	60	66	72	78	84	90	96
LOUVER HEIGHT INCHES	12	0.213	0.393	0.574	0.755	0.936	1.116	1.297	1.478	1.659	1.839	2.020	2.201	2.381	2.562	2.743
	24	0.492	0.911	1.329	1.747	2.165	2.583	3.002	3.420	3.838	4.256	4.675	5.093	5.511	5.929	6.347
	36	0.772	1.428	2.083	2.739	3.395	4.050	4.706	5.362	6.018	6.673	7.329	7.985	8.641	9.296	9.952
	48	1.051	1.945	2.838	3.731	4.624	5.518	6.411	7.304	8.197	9.090	9.984	10.877	11.770	12.663	13.557
	60	1.331	2.462	3.592	4.723	5.854	6.985	8.115	9.246	10.377	11.508	12.638	13.769	14.900	16.030	17.161
	72	1.611	2.979	4.347	5.715	7.083	8.452	9.820	11.188	12.556	13.925	15.293	16.661	18.029	19.397	20.766
	84	1.865	3.450	5.034	6.619	8.204	9.788	11.373	12.958	14.542	16.127	17.711	19.296	20.881	22.465	24.050
	96	2.142	3.962	5.782	7.602	9.422	11.241	13.061	14.881	16.701	18.521	20.341	22.161	23.980	25.800	27.620
	108	2.419	4.474	6.529	8.584	10.639	12.694	14.750	16.805	18.860	20.915	22.970	25.025	27.080	29.135	31.190
	120	2.696	4.986	7.277	9.567	11.857	14.148	16.438	18.728	21.019	23.309	25.599	27.890	30.180	32.470	34.761
	132	2.973	5.498	8.024	10.550	13.075	15.601	18.126	20.652	23.177	25.703	28.229	30.754	33.280	35.805	38.331
144	3.250	6.011	8.771	11.532	14.293	17.054	19.815	22.575	25.336	28.097	30.858	33.619	36.379	39.140	41.901	

PERFORMANCE DATA LOUVER KL445DA

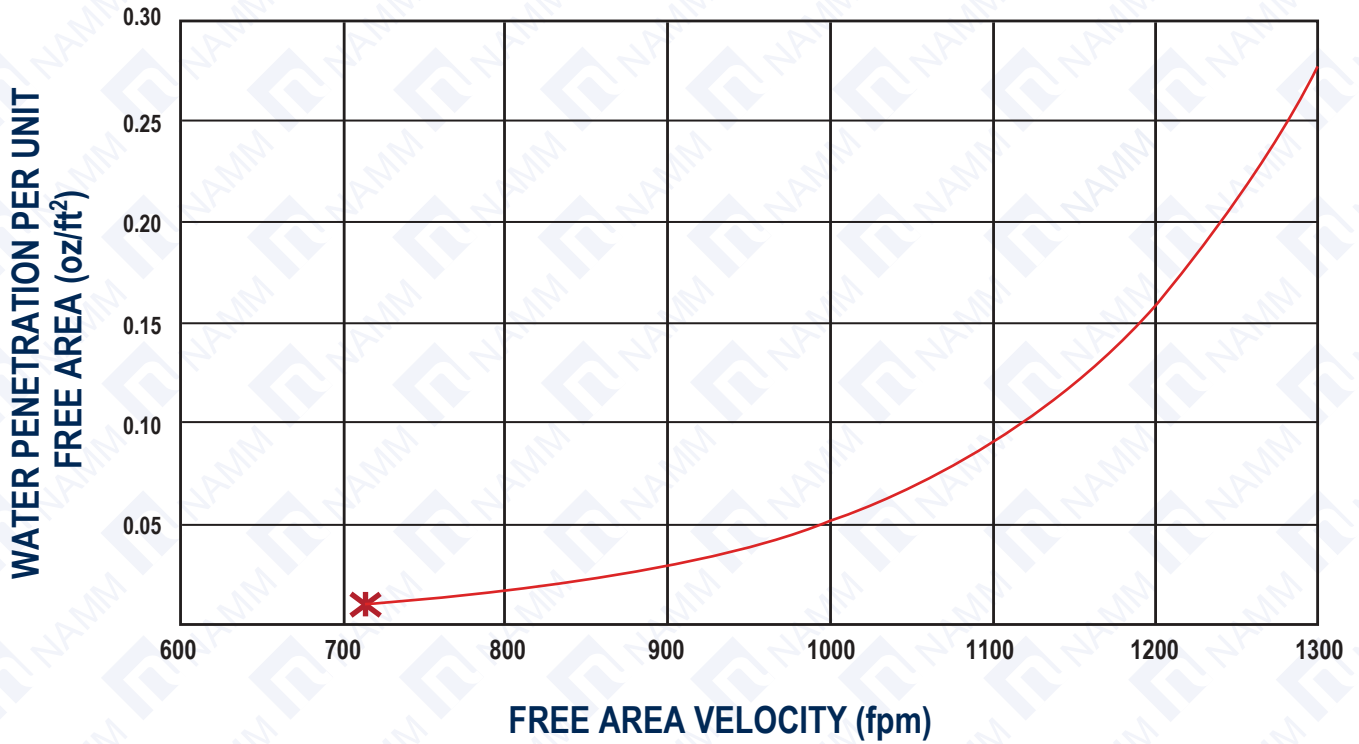
Test Size 48x48 Based on Standard Air Test Method per ANSI / AMCA Standard 500-L-12 (Pressure Drop), Figure No. 5.5.



"THE AMCA SEAL APPLIES TO WATER PENETRATION & AIR PERFORMANCE RATINGS ONLY."



WATER PENETRATION OF KL445DA



— WATER PENETRATION OF KL445DA * BEGINNING OF WATER PENETRATION

BEGINNING OF WATER PENETRATION PER
AMCA PUBLICATION 511 SECTION 8.3.2
BASED ON AMCA MEASURED FREE AREA:
713.1 FPM

“THE AMCA SEAL APPLIES TO AIR PERFORMANCE & WATER PENETRATION RATINGS ONLY.”



NAMM

grupo namm, s.a. de c.v

mtly,nl (81) 1292 4019

cdmx (55) 5264 2606

www.namm.com.mx