

MODELO HLCG445D COMBINATION OF DRAINABLE LOUVER (HL445D) AND BAROMETRIC DAMPER (CG) FRAME 4"

- Drainable type Louver
- Fixed blades at 45°
- Barometric blade mobile opens of 0° to 60° for differential pressure
- 4" Deep chanel 0.55 thick 6063T-5 extruded aluminium alloy
- Free area 42%
- Reduces the penetration of rainwater
- Intermediate angle each 60"
- Panels over 60" wide have a vertical interior angle at approximate center of panel
- Test square louver 48" x 48"



42%
FREE AREA

CONSTRUCCION:

Extruded Aluminum, Alloy 6063-T5

FINISH:

Anodized or electrostatic paint colors special order.

PERFORMANCE:

Recommended free area velocity: 1244.5 ft / min.

Pressure drop of 0.24" Sch. water column.

Penetration rainwater is 0.17 ounces per square foot of area free in a test of 15 minutes

Optional accesories:

Birds screen, Insects screen and Filter

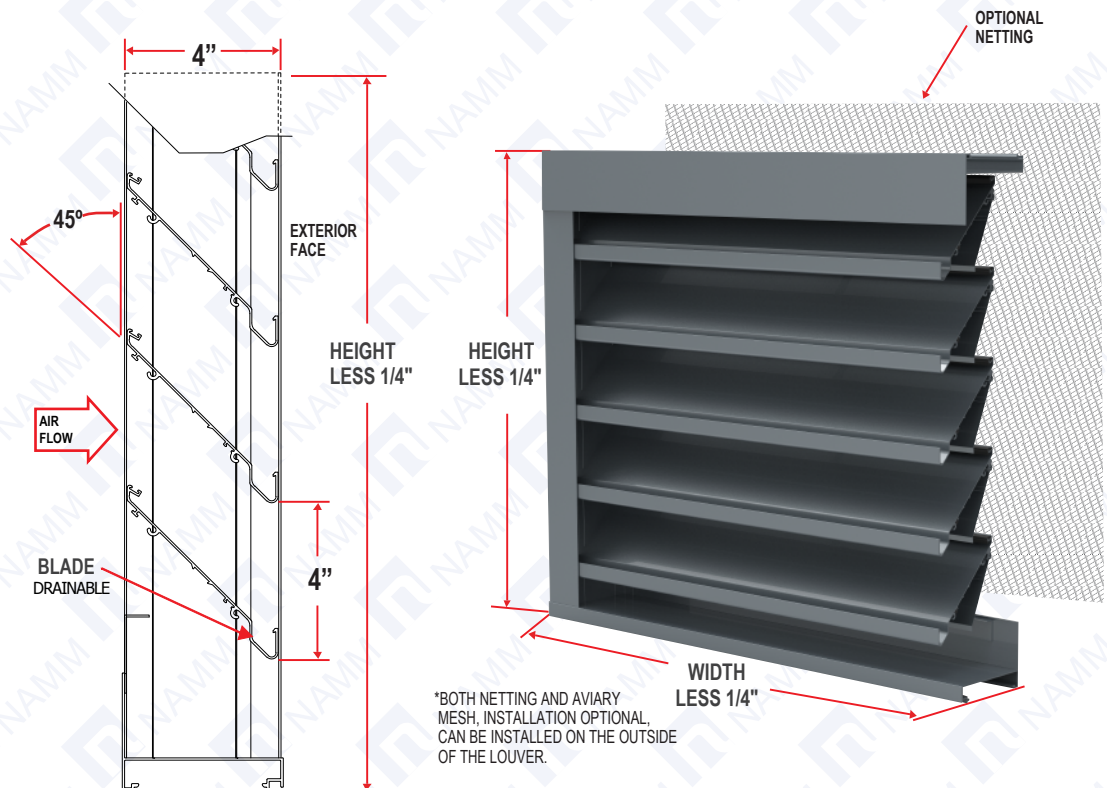
Dimensional Details



"Grupo Namm S.A. de C.V. certifies that the Model HL445D shown herein is licensed to bear the AMCA Seal

The ratings shown are based on tests and procedures performed in accordance with AMCA Publication 511 and comply with the requirements of the AMCA Certified Ratings Program.

The AMCA Certified Ratings Seal applies to water penetration and air performance ratings only."



NAMM

grupo namm, s.a. de c.v

mtv,nl (81) 1292 4000

cdmx (55) 5264 2606

www.namm.com.mx



This catalog is protected by several patents and industrial designs.

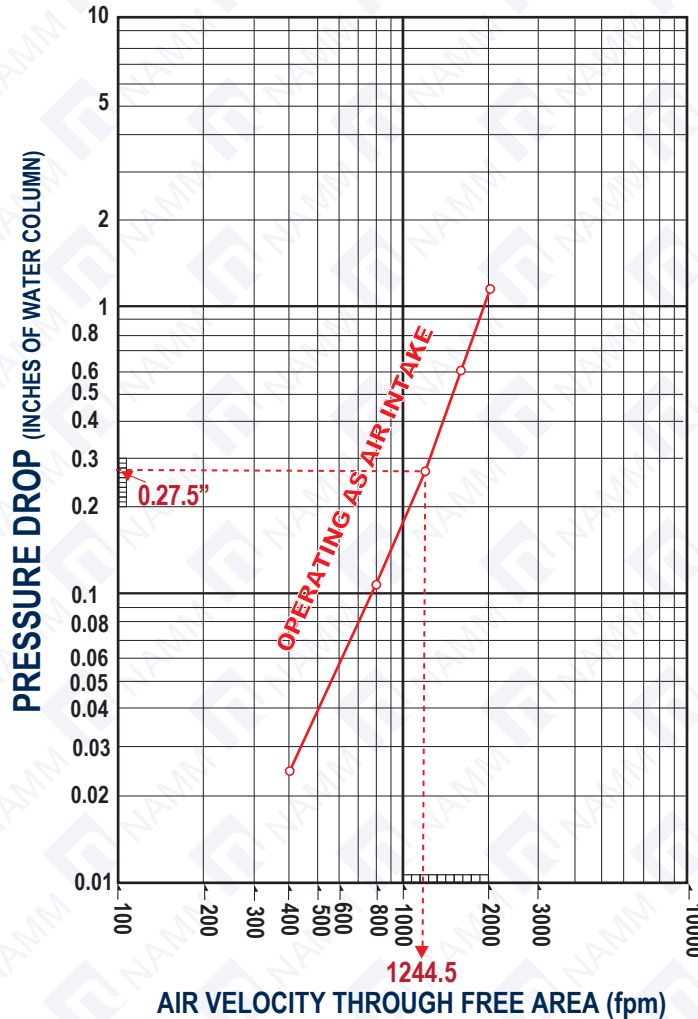


FREE AREA OF COMBINATION OF STATIONARY AND BAROMETRIC LOUVERS DAMPER-MODEL HLCG445D (ft²)

		LOUVER WIDTH INCHES														
		12	18	24	30	36	42	48	54	60	66	72	78	84	90	96
LOUVER HEIGHT INCHES	12	0.164	0.302	0.441	0.580	0.719	0.858	0.997	1.136	1.275	1.414	1.553	1.692	1.831	1.970	2.109
	24	0.475	0.878	1.282	1.685	2.088	2.492	2.895	3.299	3.702	4.105	4.509	4.912	5.315	5.719	6.122
	36	0.786	1.454	2.122	2.790	3.457	4.125	4.793	5.461	6.129	6.797	7.464	8.132	8.800	9.468	10.136
	48	1.097	2.030	2.962	3.894	4.827	5.759	6.691	7.623	8.556	9.488	10.420	11.353	12.285	13.217	14.149
	60	1.409	2.605	3.802	4.999	6.196	7.392	8.589	9.786	10.983	12.179	13.376	14.573	15.770	16.966	18.163
	72	1.720	3.181	4.642	6.104	7.565	9.026	10.487	11.948	13.410	14.871	16.332	17.793	19.254	20.716	22.177
	84	2.004	3.706	5.408	7.110	8.812	10.514	12.216	13.919	15.621	17.323	19.025	20.727	22.429	24.131	25.834
	96	2.312	4.276	6.240	8.204	10.168	12.132	14.096	16.060	18.025	19.989	21.953	23.917	25.881	27.845	29.809
	108	2.620	4.846	7.072	9.298	11.524	13.750	15.976	18.202	20.428	22.654	24.880	27.106	29.332	31.558	33.784
	120	2.929	5.416	7.904	10.392	12.880	15.368	17.856	20.344	22.832	25.320	27.808	30.296	32.784	35.272	37.760
	132	3.237	5.987	8.737	11.486	14.236	16.986	19.736	22.486	25.236	27.986	30.736	33.486	36.235	38.985	41.735
	144	3.545	6.557	9.569	12.581	15.592	18.604	21.616	24.628	27.640	30.652	33.663	36.675	39.687	42.699	45.711

PERFORMANCE DATA LOUVER HLCG445D

Test Size 48x48 Based on Standard Air. Test Method per ANSI / AMCA Standard 500-L-12 (Pressure Drop), Figure No. 5.5.



“THE AMCA SEAL APPLIES TO WATER PENETRATION & AIR PERFORMANCE RATINGS ONLY.”



NAMM

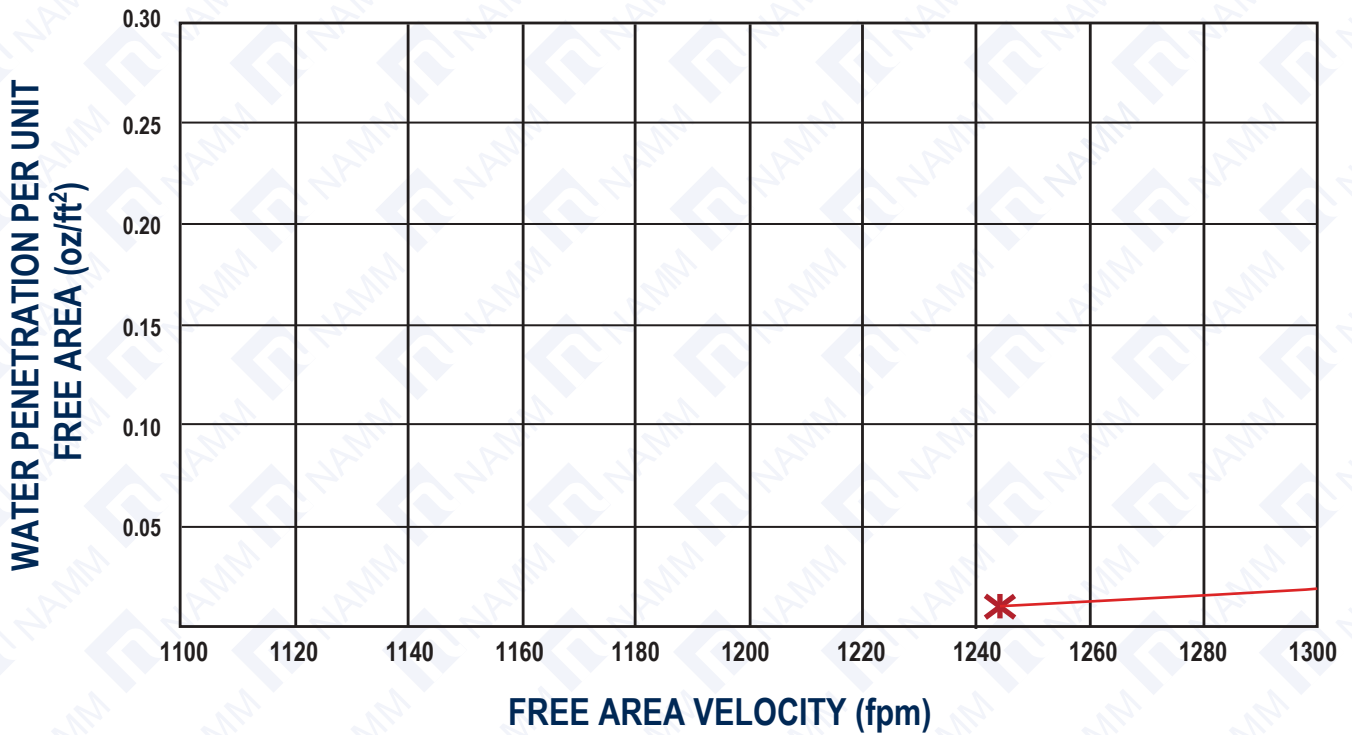
grupo namm, s.a. de c.v

mtty,ni (81) 1292 4000

cdmx (55) 5264 2606

www.namm.com.mx

WATER PENETRATION OF HLCG445D



— WATER PENETRATION OF HLCG445D * BEGINNING OF WATER PENETRATION

BEGINNING OF WATER PENETRATION PER
AMCA PUBLICATION 511 SECTION 8.3.2
BASED ON AMCA MEASURED FREE AREA:
1244.5 FPM

“THE AMCA SEAL APPLIES TO WATER PENETRATION & AIR PERFORMANCE RATINGS ONLY.”