

ZEPHYR

Ceiling Exhaust Fans

TECHNICAL SPECIFICATIONS



PENNBARRY™

BULLETIN Z18

TABLE OF CONTENTS

CERTIFICATIONS & LISTINGS	3
Z2 - Z12 CEILING FANS	4-5
Z8, Z10, Z12-GPE CEILING FANS	6
Z3 - Z12 (TDA) CEILING FANS	7-8
Z14 & Z15 LARGE CAPACITY CEILING FANS	9-10
ZT & ZJ1 LOW PROFILE CEILING FANS	11
TRANSFAN TRANSFER FAN	12
Z1 LOW FLOW CEILING FAN	13
ZL1 & ZL2 CEILING FANS WITH LIGHT	14
ZQ80(L)-GPE AND ZQ110(L)-GPE PERFORMANCE	15-16

CERTIFICATIONS & LISTINGS



AMCA Certification

PennBarry certifies that the Zephyr models shown on this catalog (excludes Transfan) are licensed to bear the AMCA Seal. The ratings shown are based on tests and procedures performed in accordance with AMCA Publication 211 and AMCA Publication 311 and comply with the requirements of the AMCA Certified Ratings Program.



UL and cULus(®) Certification

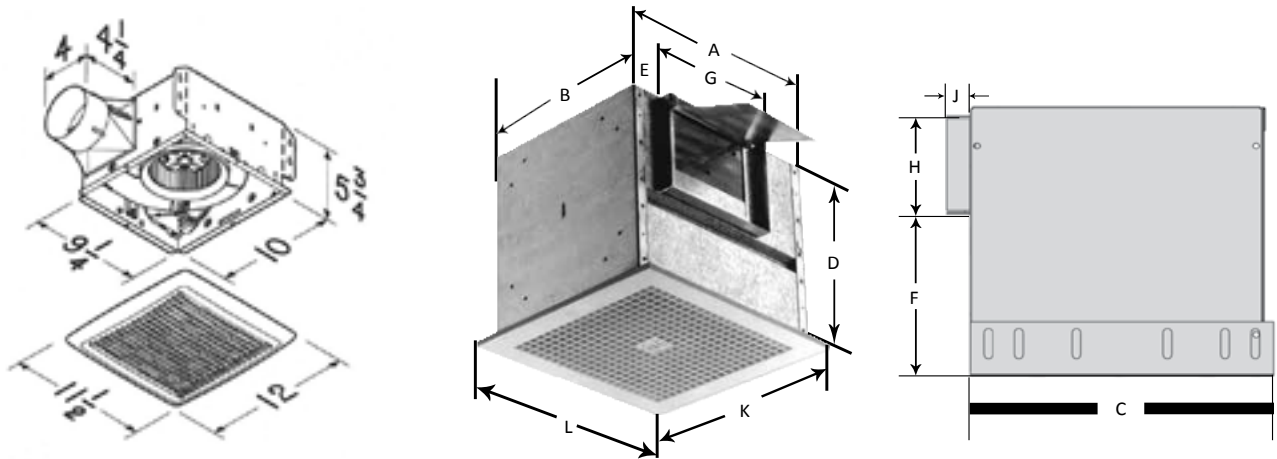
Zephyr fans carry the UL label, UL705, (ZACT/ZACT7), file #E28413 and UL507, (GPWX), file #E39313. Zephyr fan radiation dampers carry the UL label UL555C, (CABS), file #R8039.

Models Z1, ZL1, ZL2, Z8-GP, Z10-GP, Z12-GP, ZQ80(L)-GPE, ZQ110(L)-GPE, Z8-GPE, Z10-GPE, Z12-GPE are not UL705 certified. Model Z15 is not UL507 certified.



Fans that are ENERGY STAR® qualified include: Z2-E, Z8-GPE, Z10-GPE, Z12-GPE, ZQ80(L)-GPE and ZQ110(L)-GPE

Z2 - Z12 | CEILING FANS



Z2-GPE PERFORMANCE:

0.1 Ps - Static Pressure (in H2O)				0.25 Ps
Airflow (CFM)	Sound (Sones)	Power (Watts)	Efficacy (CFM/W)	Airflow(CFM)
80	1.5	26.9	2.97	0

Model	Housing							Outlet Duct			Grille		Est. Shipping Wt. (Lbs.)
	A	B	C	D	E	E1	F	G	H	J	K	L	
Z3, 5, 6	12 1/2"	9 1/8"	16"	9 1/8"	1 1/4"	1 1/4"	5 3/8"	10"	3 1/4"	3/4"	11"	13 3/4"	14
Z8, 81	13 7/8"	11 3/8"	17 3/8"	11 3/8"	1 7/8"	4"	5 1/4"	8"	6"	3/4"	13 1/4"	14 7/8"	20
Z10	18"	14 1/8"	21 1/2"	14 1/8"	3 5/8"	6 3/8"	8"	8"	6"	3/4"	15 1/2"	19 3/8"	28
Z12, 101, 102, 121	24"	14 1/8"	27 1/2"	14 1/8"	1"	1"	8"	22"	6"	3/4"	15 1/2"	25"	52

Model	Max. Watts	Amps	RPM	SP	0.000"	0.125"	0.250"	0.375"	0.500"	0.625"	0.750"
					CFM	HEMISPHERICAL SONES3	SPHERICAL SONES4	CFM	HEMISPHERICAL SONES3	SPHERICAL SONES4	
Z3H	39	0.5	1550	CFM	109	83	-	-	-	-	-
				HEMISPHERICAL SONES3	1.7	2.3	-	-	-	-	
				SPHERICAL SONES4	0.8	1.4	-	-	-	-	
Z5H	79	1	1550	CFM	192	163	128	93	-	-	-
				HEMISPHERICAL SONES3	3.4	3.3	3.3	3.4	-	-	-
				SPHERICAL SONES4	1.5	1.6	1.6	1.7	-	-	-




- (1) Speed (RPM) shown is nominal. Performance is based on actual speed of test.
- (2) Performance shown is for installation type B - Free Inlet, Ducted Outlet. Performance ratings include the effects of an inlet grille and backdraft damper in the airstream.
- (3) The sound ratings shown are loudness values in fan sones at 5ft. (1.5m) in a hemispherical free field calculated per AMCA Standard 301.
- (4) The spherical sones values are calculated to represent sound in a spherical free field at 5 ft. (1.5m) per Annex B of AMCA 311.
- (5) Specify discharge configuration. Standard types are RA, TD, TDA and TDA-RA.
- (6) Z6S and Z6H is the same unit shipped with EASYTAP dual speed motor. Wired on S (low) speed.
- (7) Z8S and Z8H is the same unit shipped with EASYTAP dual speed motor. Wired on S (low) speed.
- (8) Z10S and Z10H is the same unit shipped with EASYTAP dual speed motor. Wired on S (low) speed.

Z2 - Z12 | CEILING FANS

Model	Max. Watts	Amps	RPM	SP	0.000"	0.125"	0.250"	0.375"	0.500"	0.625"	0.750"
Z6S5	47	0.6	1050	CFM	123	101	82	-	-	-	-
				HEMISPHERICAL SONES3	0.9	1.4	1.8	-	-	-	-
				SPHERICAL SONES4	0.2	0.5	0.9	-	-	-	-
Z6H5	108	1.4	1550	CFM	230	196	166	122	-	-	-
				HEMISPHERICAL SONES3	3.3	3	3	3.1	-	-	-
				SPHERICAL SONES4	2.3	2.0	1.9	2.0	-	-	-
Z8S6	77	1	1050	CFM	272	247	231	217	199	-	-
				HEMISPHERICAL SONES3	2.1	2.4	2.9	3.3	3.6	-	-
				SPHERICAL SONES4	1.0	1.4	1.9	2.4	2.8	-	-
Z8I5	77	0.9	1050	CFM	310	273	239	213	182	136	73
				HEMISPHERICAL SONES3	2.5	2.7	2.9	3.3	3.7	4.2	4.3
				SPHERICAL SONES4	1.5	1.7	1.9	2.3	2.8	3.1	3.2
Z8H6	130	1.6	1550	CFM	426	401	377	357	341	328	304
				HEMISPHERICAL SONES3	4.5	4.7	4.7	5.1	5.6	5.8	5.8
				SPHERICAL SONES4	3.4	3.7	3.6	4.1	4.6	4.7	4.8
Z10S7	243	2.5	1050	CFM	469	441	423	403	387	367	347
				HEMISPHERICAL SONES3	4.5	4.8	5.1	5.4	5.6	5.8	6
				SPHERICAL SONES4	3.4	3.8	4.0	4.4	4.6	4.7	4.9
Z10I5	153	1.6	1050	CFM	612	537	467	405	222	116	-
				HEMISPHERICAL SONES3	3.9	3.6	3.9	4.6	5.5	6	-
				SPHERICAL SONES4	2.9	2.5	2.9	3.6	4.3	5.2	-
Z10H7	390	3.6	1550	CFM	728	694	664	638	613	591	565
				HEMISPHERICAL SONES3	8.6	8.6	8.6	8.7	8.6	8.8	8.8
				SPHERICAL SONES4	7.3	7.4	7.5	7.4	7.4	7.8	7.7
Z102S	269	4.5	1050	CFM	816	747	691	602	335	-	-
				HEMISPHERICAL SONES3	5.8	5.8	5.4	5	4.9	-	-
				SPHERICAL SONES4	4.6	4.6	4.1	3.7	3.8	-	-
Z12S	260	2.9	1050	CFM	901	855	812	755	683	552	-
				HEMISPHERICAL SONES3	5.8	5.9	6.3	6.5	6.5	6	-
				SPHERICAL SONES4	4.6	4.8	5.2	5.2	5.3	5.0	-
Z12I5	370	3.6	1050	CFM	1083	1062	1024	949	838	686	270
				HEMISPHERICAL SONES3	7	6.9	6.6	6.1	5.7	5.3	4.6
				SPHERICAL SONES4	5.9	6.0	5.6	5.1	4.8	4.2	3.6
Z102H	812 (BHP 0.53)	7.5	1550	CFM	1435	1385	1338	1294	1247	1203	1163
				HEMISPHERICAL SONES3	11.8	11.7	11.9	11.9	11.7	11.3	11
				SPHERICAL SONES4	10.4	10.1	10.3	10.3	10.0	9.8	9.6
Z12H	851 (BHP 0.65)	7.9	1550	CFM	1566	1511	1464	1417	1364	1307	1251
				HEMISPHERICAL SONES3	13.5	13.3	12.9	12.7	12.3	12	11.7
				SPHERICAL SONES4	11.6	11.4	11.0	11.0	10.7	10.4	10.1

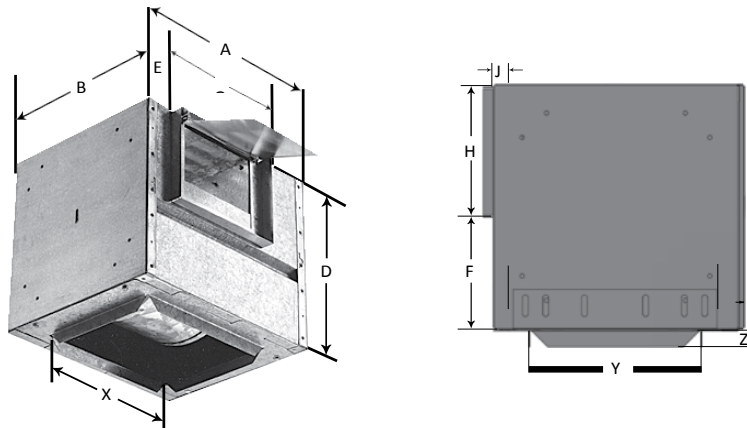
- (1) Speed (RPM) shown is nominal. Performance is based on actual speed of test.
- (2) Performance shown is for installation type B - Free Inlet, Ducted Outlet. Performance ratings include the effects of an inlet grille and backdraft damper in the airstream.
- (3) The sound ratings shown are loudness values in fan sones at 5ft. (1.5m) in a hemispherical free field calculated per AMCA Standard 301.
- (4) The spherical sones values are calculated to represent sound in a spherical free field at 5 ft. (1.5m) per Annex B of AMCA 311.
- (5) Specify discharge configuration. Standard types are RA, TD, TDA and TDA-RA.
- (6) Z6S and Z6H is the same unit shipped with EASYTAP dual speed motor. Wired on S (low) speed.
- (7) Z8S and Z8H is the same unit shipped with EASYTAP dual speed motor. Wired on S (low) speed.
- (8) Z10S and Z10H is the same unit shipped with EASYTAP dual speed motor. Wired on S (low) speed.

Z8, Z10, Z12-GPE | CEILING FANS

Model	ENERGY STAR®	RPM	CFM / Watt at 0.1 SP	0.000		0.100		0.125		0.250		0.375		0.500		0.625		0.750		0.875		1.000		1.125		
				CFM	Sones	CFM	Sones	CFM	Sones	CFM	Sones	CFM	Sones	CFM	Sones	CFM	Sones	CFM	Sones	CFM	Sones	CFM	Sones	CFM	Sones	CFM
Z8-GPE		755	11.2	248	2.7	188	2.4	169	2.4																	
Z8-GP		1380	4.1	470	7.4	453	7.3	449	7.2	421	7.1	373	6.9	331	6.9	261	6.9									
Z10-GPE		740	10.8	285	2.6	200	2.0	170	2.0																	
Z10-GP		1580	3.3	691	9.9	649	9.6	607	9.5	558	9.2	500	9.2	432	9.2	362	9.2									
Z12-GPE		530	10.8	547	3.8	278	3.5	166	3.4																	
Z12-GP		1355	3.2	1545	13.0	1496	13.0	1484	13.0	1418	12.3	1321	12.3	1222	12.3	1123	12.3	1009	12.3	817	12.3	502	12.3	222	12.3	

- (1) Speed (RPM) shown is nominal. Performance is based on actual speed of test.
- (2) Performance shown is for installation type B - Free Inlet, Ducted Outlet. Performance ratings include the effects of an inlet grille and backdraft damper in the airstream.
- (3) The sound ratings shown are loudness values in fan sones at 5ft. (1.5m) in a hemispherical free field calculated per AMCA Standard 301.
- (4) The spherical sones values are calculated to represent sound in a spherical free field at 5 ft. (1.5m) per Annex B of AMCA 311.

Z3 - Z12 (TDA) | CEILING FANS



Model	Housing							Outlet Duct			TDA Panel		
	A	B	C	D	E	E1	F	G	H	J	X	Y	Z
Z3, 5, 6	12 1/2"	9 1/8"	16"	9 1/8"	1 1/4"	1 1/4"	5 3/8"	10"	3 1/4"	3/4"	10"	6"	1 5/8"
Z8, 81	13 7/8"	11 3/8"	17 3/8"	11 3/8"	1 7/8"	4"	5 1/4"	8"	6"	3/4"	10"	8"	1 9/16"
Z10	18"	14 1/8"	21 1/2"	14 1/8"	3 5/8"	6 3/8"	8"	8"	6"	3/4"	14"	10"	2"
Z12	24"	14 1/8"	27 1/2"	14 1/8"	1"	1"	8"	22"	6"	3/4"	20"	10"	2"
Z101	24"	14 1/8"	27 1/2"	14 1/8"	1"	1"	8"	22"	6"	3/4"	20"	10"	2"
Z102	24"	14 1/8"	27 1/2"	14 1/8"	1"	1"	8"	22"	6"	3/4"	20"	10"	2"
Z121	24"	14 1/8"	27 1/2"	14 1/8"	1"	1"	8"	22"	6"	3/4"	20"	10"	2"

Model	Max. Watts	Amps	RPM	SP	0.000"	0.125"	0.250"	0.375"	0.500"	0.625"	0.750"	1.000"	1.250"	1.500"
Z3H (TDA)	42	0.5	1550	CFM	107	81	-	-	-	-	-	-	-	-
				HEMISPHERICAL SONES3	1.7	1.9	-	-	-	-	-	-	-	-
				SPHERICAL SONES4	0.8	0.9	-	-	-	-	-	-	-	-
Z5H (TDA)	83	1	1550	CFM	199	171	143	104	-	-	-	-	-	-
				HEMISPHERICAL SONES3	1.9	2	2.1	2.1	-	-	-	-	-	-
				SPHERICAL SONES4	0.9	1.0	1.2	1.3	-	-	-	-	-	-

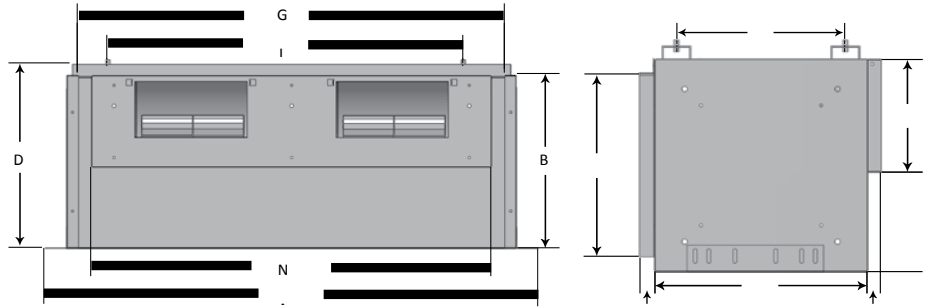
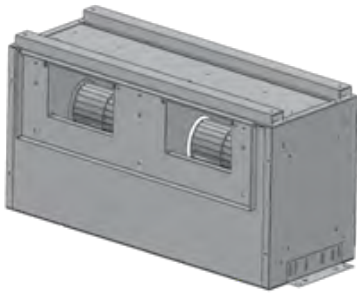
- (1) Speed (RPM) shown is nominal. Performance is based on actual speed of test.
- (2) Performance shown is for installation type B - Free Inlet, Ducted Outlet. Performance ratings include the effects of an inlet grille and backdraft damper in the airstream.
- (3) The sound ratings shown are loudness values in fan sones at 5ft. (1.5m) in a hemispherical free field calculated per AMCA Standard 301.
- (4) The spherical sones values are calculated to represent sound in a spherical free field at 5 ft. (1.5m) per Annex B of AMCA 311.
- (5) Specify discharge configuration. Standard types are RA, TD, TDA and TDA-RA.
- (6) Z6S and Z6H is the same unit shipped with EASYTAP dual speed motor. Wired on S (low) speed.
- (7) Z8S and Z8H is the same unit shipped with EASYTAP dual speed motor. Wired on S (low) speed.
- (8) Z10S and Z10H is the same unit shipped with EASYTAP dual speed motor. Wired on S (low) speed.

Z3 - Z12 (TDA) | CEILING FANS

Model	Max. Watts	Amps	RPM	SP	0.000"	0.125"	0.250"	0.375"	0.500"	0.625"	0.750"	1.000"	1.250"	1.500"
Z6S (TDA)5	46	0.6	1050	CFM	127	93	66	-	-	-	-	-	-	-
				HEMISPHERICAL SONES3	0.9	1.2	1.6	-	-	-	-	-	-	-
				SPHERICAL SONES4	0.3	0.5	0.8	-	-	-	-	-	-	-
Z6H (TDA)5	108	1.4	1550	CFM	227	192	157	113	-	-	-	-	-	-
				HEMISPHERICAL SONES3	2.7	2.7	2.8	2.9	-	-	-	-	-	-
				SPHERICAL SONES4	1.8	1.7	1.8	2.0	-	-	-	-	-	-
Z8S (TDA)6	75	1	1050	CFM	255	228	208	190	165	139	110	-	-	-
				HEMISPHERICAL SONES3	1.8	1.9	2.4	2.8	3.3	3.6	3.7	-	-	-
				SPHERICAL SONES4	0.8	1.0	1.4	1.9	2.3	2.6	2.8	-	-	-
Z81S (TDA)	84	0.9	1050	CFM	307	274	252	228	198	152	95	-	-	-
				HEMISPHERICAL SONES3	2.2	2.2	2.5	2.9	3.1	3.3	3.5	-	-	-
				SPHERICAL SONES4	1.2	1.1	1.4	1.8	2.1	2.3	2.6	-	-	-
Z8H (TDA)6	132	1.6	1550	CFM	402	376	350	335	318	301	277	-	-	-
				HEMISPHERICAL SONES3	4.1	3.9	3.9	4.2	4.4	4.6	4.9	-	-	-
				SPHERICAL SONES4	3.1	2.9	2.9	3.2	3.5	3.8	4.1	-	-	-
Z10S (TDA)7	234	2.5	1050	CFM	456	423	391	367	350	337	320	268	128	-
				HEMISPHERICAL SONES3	4.1	4.5	4.7	4.9	5.2	5.4	5.7	6.2	6.4	-
				SPHERICAL SONES4	3.0	3.4	3.7	3.9	4.2	4.5	4.8	5.2	5.4	-
Z101S (TDA)	152	1.6	1050	CFM	609	521	438	373	272	130	-	-	-	-
				HEMISPHERICAL SONES3	3.2	3.4	4.3	4.6	5.2	5.6	-	-	-	-
				SPHERICAL SONES4	2.2	2.3	3.2	3.5	4.0	4.4	-	-	-	-
Z10H (TDA)7	372	3.6	1550	CFM	700	661	626	593	558	528	504	455	368	-
				HEMISPHERICAL SONES3	8	8	7.9	7.9	8	8.2	8.1	8	7.8	-
				SPHERICAL SONES4	7.0	6.8	6.8	6.8	6.9	7.0	6.9	6.6	6.3	-
Z102S (TDA)	273	4.5	1050	CFM	780	720	660	592	336	-	-	-	-	-
				HEMISPHERICAL SONES3	4.6	5.7	5.6	4.8	4.7	-	-	-	-	-
				SPHERICAL SONES4	3.5	4.5	4.6	3.8	3.7	-	-	-	-	-
Z12S (TDA)	263	2.9	1050	CFM	886	829	786	735	660	526	180	-	-	-
				HEMISPHERICAL SONES3	5.5	5.7	5.6	5.8	5.7	5.3	4.7	-	-	-
				SPHERICAL SONES4	4.4	4.5	4.5	4.7	4.5	4.2	3.7	-	-	-
Z121S (TDA)	344	3.6	1050	CFM	1089	1043	981	899	802	672	404	-	-	-
				HEMISPHERICAL SONES3	6.5	6.5	6.3	6	5.7	5.3	4.4	-	-	-
				SPHERICAL SONES4	5.2	5.3	5.1	4.9	4.6	4.1	3.3	-	-	-
Z102H (TDA)	810 (BHP 0.53)	7.5	1550	CFM	1397	1348	1301	1253	1206	1162	1121	1034	916	611
				HEMISPHERICAL SONES3	10.7	10.5	10.7	10.6	10.4	10.1	9.9	9.6	9.4	9
				SPHERICAL SONES4	9.3	9.1	9.3	9.1	9.0	8.7	8.4	8.2	7.9	7.5
Z12H (TDA)	810 (BHP 0.53)	7.9	1550	CFM	1519	1475	1430	1386	1343	1300	1254	1146	1017	697
				HEMISPHERICAL SONES3	12.7	12.4	12.2	11.7	11.5	11.2	10.9	10.5	10.2	9.6
				SPHERICAL SONES4	10.9	10.7	10.5	10.1	9.9	9.6	9.3	9.0	8.5	8.1

- (1) Speed (RPM) shown is nominal. Performance is based on actual speed of test.
- (2) Performance shown is for installation type B - Free Inlet, Ducted Outlet. Performance ratings include the effects of an inlet grille and backdraft damper in the airstream.
- (3) The sound ratings shown are loudness values in fan sones at 5ft. (1.5m) in a hemispherical free field calculated per AMCA Standard 301.
- (4) The spherical sones values are calculated to represent sound in a spherical free field at 5 ft. (1.5m) per Annex B of AMCA 311.
- (5) Specify discharge configuration. Standard types are RA, TD, TDA and TDA-RA.
- (6) Z6S and Z6H is the same unit shipped with EASYTAP dual speed motor. Wired on S (low) speed.
- (7) Z8S and Z8H is the same unit shipped with EASYTAP dual speed motor. Wired on S (low) speed.
- (8) Z10S and Z10H is the same unit shipped with EASYTAP dual speed motor. Wired on S (low) speed.

Z14 & Z15 | LARGE CAPACITY CEILING FANS



Model	A	B	C	D	L	O	Outlet		Inlet		Est. Shipping Wt. (Lbs.)
							G	H	M	N	
Z14	38"	14 1/2"	14 1/2"	15 1/2"	26 1/2"	7 5/8"	33 3/4"	7 3/4"	12 1/2"	36"	84
Z15	45 1/2"	16 1/2"	16 1/2"	17 1/2"	31 3/4"	10"	41 1/4"	9 3/4"	14 1/2"	43 1/2"	131

Model	RPM	Inlet Area	Outlet Area	Wheel Dia	Wheel Circ.	SP	0.100"	0.125"	0.250"	0.375"	0.500"	0.625"	0.750"	0.875"	1.00"
Z14 115/1/60 1/2 HP	1150	0.5	1550	8"	2.09'	CFM	2200	2195	2050	1870	1685	1425	880	285	-
						HEMISPHERICAL SONES3	7.9	7.9	7.6	7.1	6.8	6.7	6.6	6.4	-
						SPHERICAL SONES4	6.8	6.7	6.3	6.0	5.6	5.4	5.2	5.0	-
	1060	1	1550	8"	2.09'	BHP	0.56	0.56	0.54	0.49	0.45	0.39	0.26	0.15	-
						CFM	2025	2015	1835	1645	1400	880	-	-	-
						HEMISPHERICAL SONES3	7.2	7.2	6.9	6.4	6.3	6	-	-	-
	980	0.6	1050	8"	2.09'	SPHERICAL SONES4	6.0	6.0	5.6	5.3	5.0	4.8	-	-	-
						BHP	0.44	0.43	0.4	0.36	0.33	0.22	-	-	-
						CFM	1865	1845	1630	1410	1015	280	-	-	-
	880	1.4	1550	8"	2.09'	HEMISPHERICAL SONES3	6.6	6.6	6.2	5.8	5.7	5.3	-	-	-
						SPHERICAL SONES4	5.4	5.3	5.0	4.7	4.4	4.2	-	-	-
						BHP	0.34	0.34	0.31	0.28	0.2	0.1	-	-	-
						CFM	1660	1605	1375	1055	255	-	-	-	-
						HEMISPHERICAL SONES3	5.8	5.8	5.4	4.8	4.6	-	-	-	-
						SPHERICAL SONES4	4.6	4.5	4.3	4.0	3.7	-	-	-	-
						BHP	0.25	0.24	0.21	0.17	0.07	-	-	-	-

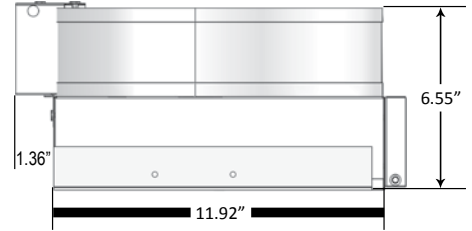
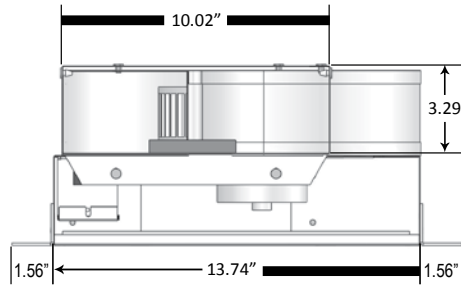
- (1) Speed (RPM) shown is nominal. Performance is based on actual speed of test.
- (2) Performance shown is for installation type B - Free Inlet, Ducted Outlet. Performance ratings include the effects of an inlet grille and backdraft damper in the airstream.
- (3) The sound ratings shown are loudness values in fan sones at 5ft. (1.5m) in a hemispherical free field calculated per AMCA Standard 301.
- (4) The spherical sones values are calculated to represent sound in a spherical free field at 5 ft. (1.5m) per Annex B of AMCA 311.
- (5) Specify discharge configuration. Standard types are RA, TD, TDA and TDA-RA.
- (6) Z6S and Z6H is the same unit shipped with EASYTAP dual speed motor. Wired on S (low) speed.
- (7) Z8S and Z8H is the same unit shipped with EASYTAP dual speed motor. Wired on S (low) speed.
- (8) Z10S and Z10H is the same unit shipped with EASYTAP dual speed motor. Wired on S (low) speed.

Z14 & Z15 | LARGE CAPACITY CEILING FANS

Model	RPM	Inlet Area	Outlet Area	Wheel Dia	Wheel Circ.	SP	0.100"	0.125"	0.250"	0.375"	0.500"	0.625"	0.750"	0.875"	1.00"
Z15 230/1/60 1 HP	1030	0.9	1050	9"	2.36'	CFM	3290	3260	3100	2920	2720	2510	2260	1930	1140
						HEMISPHERICAL SONES3	9.5	9.5	9.4	9	8.7	8.6	8.3	8.2	8.1
						SPHERICAL SONES4	8.3	8.2	7.8	7.4	7.0	6.6	6.5	6.4	6.2
						BHP	1.1	1.1	1.05	1	0.96	0.91	0.85	0.75	0.52
	1000	1.6	1550	9"	2.36'	CFM	3185	3155	2990	2800	2590	2365	2085	1625	-
						HEMISPHERICAL SONES3	9.4	9.4	9.2	8.7	8.4	8.3	8	7.7	-
						SPHERICAL SONES4	7.7	7.7	7.3	6.9	6.5	6.1	6.0	5.9	-
						BHP	1	1	0.95	0.91	0.86	0.81	0.73	0.61	-
	950	2.5	1050	9"	2.36'	CFM	3015	2980	2805	2600	2375	2115	1755	-	-
						HEMISPHERICAL SONES3	8.8	8.8	8.6	8.2	7.8	7.6	7.4	-	-
						SPHERICAL SONES4	6.8	6.8	6.4	6.1	5.7	5.4	5.2	-	-
						BHP	0.86	0.85	0.81	0.77	0.72	0.66	0.56	-	-
880	1.6	1050	9"	2.36'	CFM	2775	2735	2535	2305	2045	1715	-	-	-	
					HEMISPHERICAL SONES3	8	7.9	7.8	7.4	7.1	6.9	-	-	-	
					SPHERICAL SONES4	5.6	5.5	5.2	4.9	4.6	4.3	-	-	-	
					BHP	0.68	0.63	0.59	0.54	0.46	-	-	-		

- (1) Speed (RPM) shown is nominal. Performance is based on actual speed of test.
- (2) Other speeds listed are obtainable by using Lek-Trol™ model LT40 for fan units Z14 and Lek-Trol™ LT35 for fan unit Z15.
- (3) The sound ratings shown are loudness values in fan sones at 5ft. (1.5m) in a hemispherical free field calculated per AMCA Standard 301.
- (4) The spherical sones values are calculated to represent sound in a spherical free field at 5 ft. (1.5m) per Annex B of AMCA 311.
- (5) Performances shown is for installation type B - Free inlet, Ducted outlet.
- (6) The AMCA Certified Ratings Seal applies to air capacities only. Performance ratings do not include the effects of appurtenances in the airstream.

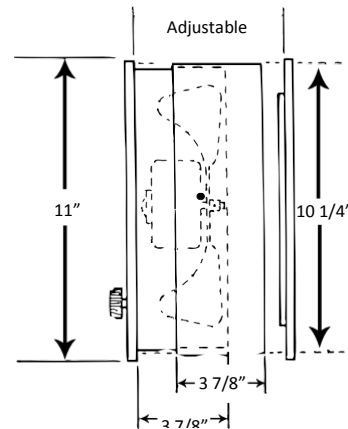
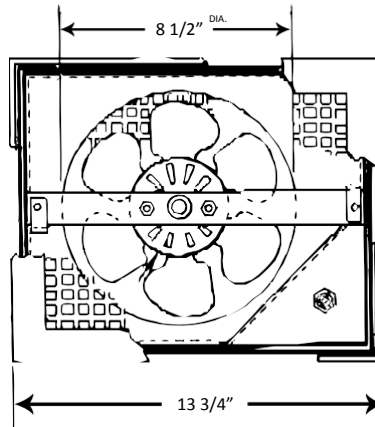
ZT & ZJ1 | LOW PROFILE CEILING FANS



Model	Max. Watts	Motor 60Hz AC	Motor RPM	SP	0.0"	.10"	.125"	.250"	.375"	.500"	.625"	0.750"
ZT	48	115/1	1200	CFM	91	88	88	85	75	49	–	–
				HEMISPHERICAL SONES4	1.8	2.2	2.3	2.8	3.0	3.2	–	–
				SPHERICAL SONES5	1.3	1.5	1.5	1.8	2.0	2.3	–	–
				RPM	840	930	970	1110	1280	1460	–	–
ZJ1	125	115/1	1200	CFM	149	156	157	158	160	153	138	117
				HEMISPHERICAL SONES4	2.0	2.3	2.4	3.0	3.4	3.4	3.6	3.5
				SPHERICAL SONES5	1.2	1.5	1.6	1.9	2.2	2.5	2.8	3.1
				RPM	760	1000	1020	1150	1240	1360	1450	1520

- (1) Performance shown is for installation type A - Free inlet, Free outlet.
- (2) Performance ratings include the effects of inlet grille and backdraft damper in the airstream.
- (3) Speed (RPM) shown is nominal. Performance is based on actual speed of test.
- (4) The sound ratings shown are loudness values in fan sones at 5ft. (1.5m) in a hemispherical free field calculated per AMCA Standard 301.
- (5) The spherical sones values are calculated to represent sound in a spherical free field at 5 ft. (1.5m) per Annex B of AMCA 311.
- (6) Values shown are for installation Type A: free inlet fan sone levels. The AMCA Certified Ratings Seal applies to air performance ratings only.

TRANSFAN | TRANSFER FAN

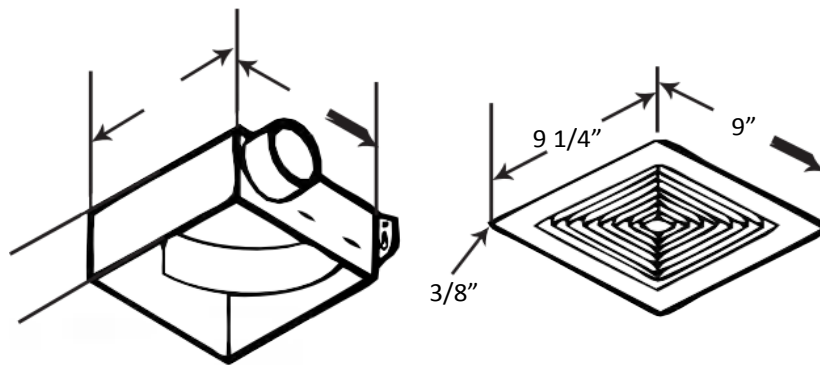


Model	Max Watts	Motor 50/60 Hz AC	Motor RPM	Fan Capacity - CFM			
				SP	CFM	HEMISPHERICAL SONES1	SPHERICAL SONES2
TF8	60	115/1	1250	0.000	255	2.3	1.0
				0.050	231	2.2	1.0
				0.100	178	1.9	0.9
				0.200	132	1.8	0.8

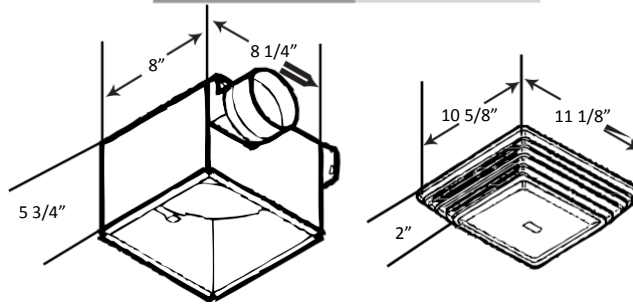
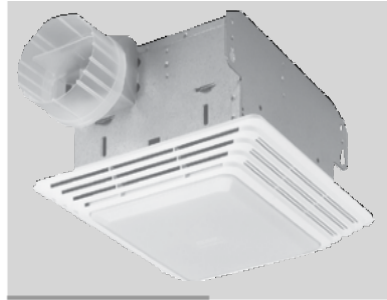
- (1) The sound ratings shown are loudness values in fan sones at 5ft. (1.5m) in a hemispherical free field calculated per AMCA Standard 301.
- (2) The spherical sones values are calculated to represent sound in a spherical free field at 5 ft. (1.5m) per Annex B of AMCA 311.
- (3) Performance shown is for installation type A - free inlet, free outlet.
- (4) Performance ratings include the effects of inlet and outlet grilles installed.
- (5) Speed (RPM) shown is nominal. Performance is based on actual speed of test. AMCA certified for Air Performance only.

Z1 | LOW FLOW CEILING FAN

- 56 CFM at 0.0" SP.
- Quiet-designed durable blower wheels.
- Torsion spring grille mounting for installation without tools
- Compact housings which fit easily between wall studs.
- Double strength steel mounting flanges with keyhole lots for fast, sturdy installation.
- UL507 listing for use over bathtubs and showers when connected to a GFCI protected branch circuit.
- AMCA Air and Sound certification.



ZL1 & ZL2 | CEILING FANS WITH LIGHT

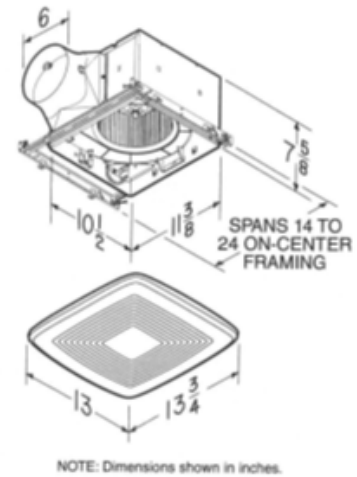


Model	SONES at 0.0" Ps	Spherical SONES at 0.0" Ps	CFM at Static Pressure (Ps - Inches of H2O)						Volts	Watts	Nominal RPM	Duct Dia.
			0.000	0.100	0.125	0.250	0.375	0.500				
Z1	3.4	2.3	56	51	50	46	41	32	120	55	1700	3"
ZL1	1.9	1.8	62	51	49	32	9	-	120	30	1070	4"
ZL2	4.0	3.4	97	87	84	69	50	19	120	50	1380	4"

- (1) Performance shown is for installation type B - Free inlet, ducted outlet.
- (2) Performance ratings include the effects of inlet grille and backdraft damper in the airstream.
- (3) Speed (RPM) shown is nominal. Performance is based on actual speed of test.
- (4) The sound ratings shown are loudness values in fan sones at 5ft. (1.5m) in a hemispherical free field calculated per AMCA Standard 301
- (5) The spherical sones values are calculated to represent sound in a spherical free field at 5 ft. (1.5m) per Annex B of AMCA 311.
- (6) Values shown are for installation Type B: free inlet fan sone levels.

ZQ80(L)-GPE AND ZQ110(L)-GPE | LOW SONES CEILING FAN

- Up to 110 CFM at 0.1" SP.
- Quiet-designed durable blower wheels.
- Torsion spring grille mounting; no tools needed.
- UL507 Listed for use over bathtubs and showers when connected to a GFCI protected branch circuit.
- 36-Watt fluorescent lighting.
- AMCA Air and Sound certified.
- ENERGY STAR® certified.



ZQ80 (L)

Airflow Rate Setting (CFM)	Duct Size	Performance @ Static Pressure(Ps) - Inches Water Gage												Volts	Hz.	Nominal RPM	
		0.100" Ps			0.125" Ps		0.250" Ps		0.375" Ps		0.500" Ps		0.625" Ps				
		CFM	Sones	Watts	CFM	Sones	CFM	Sones	CFM	Sones	CFM	Sones	CFM				Sones
80	4" Round	80	< 0.3	7.8	80	0.3	80	1.0	78	1.8	64	2.4	37	3.0	120	60	985
	6" Round	80	< 0.3	6.1	80	<0.3	80	0.6	78	1.4	66	2.2	38	3.0	120	60	935

- (1) Performance ratings include the effects of inlet grille and backdraft damper. Speed (RPM) is shown as nominal. Performance is based on actual speed of test. The sound ratings are loudness values in fan sones at 5" (1.5m) in a spherical free field calculated per AMCA std. 301. Values shown are for Installation Type B: free inlet hemispherical sone levels. Performance certified for Installation Type B: Free Inlet, Ducted outlet.

ZQ110 (L)

Airflow Rate Setting (CFM)	Duct Size	Performance @ Static Pressure(Ps) - Inches Water Gage												Volts	Hz.	Nominal RPM	
		0.100" Ps			0.125" Ps		0.250" Ps		0.375" Ps		0.500" Ps		0.625" Ps				
		CFM	Sones	Watts	CFM	Sones	CFM	Sones	CFM	Sones	CFM	Sones	CFM				Sones
110	6" Round	110	< 0.3	8.4	110	<0.3	109	1.4	100	2.3	62	3.0	28	3.6	120	60	940

- (1) Performance ratings include the effects of inlet grille and backdraft damper. Speed (RPM) is shown as nominal. Performance is based on actual speed of test. The sound ratings are loudness values in fan sones at 5" (1.5m) in a spherical free field calculated per AMCA std. 301. Values shown are for Installation Type B: free inlet hemispherical sone levels. Performance certified for Installation Type B: Free Inlet, Ducted outlet.

PENNBARRY PRODUCT SOLUTIONS



Commercial

- Roof & wall exhaust centrifugal fans
- Ceiling, wall, & inline centrifugal fans
- Roof supply centrifugal fans
- Square & round centrifugal fans
- Wall mounted axial fans
- Hooded roof axial fans
- Upblast roof axial fans
- Gravity ventilators
- Roof curbs



Industrial

- Freestanding centrifugal fans
- Industrial & material handling fans
- Tubular centrifugal inline fans
- Mixed flow centrifugal fans
- Plug & plenum fans
- Wall mounted propeller fans
- Tube axial fans
- Vane axial fans
- Bifurcator fans
- Lab exhaust



Kitchen ventilation

- Make-up air units
- Exhaust fans



Energy recovery

- Outdoor units
- Indoor units

PennBarry is proud to be your preferred manufacturer of commercial and industrial fans and blowers. Learn how PennBarry can assist you in your next application by contacting your PennBarry Representative or visiting us on the web at www.pennbarry.com

PennBarry | www.pennbarry.com | pennbarrysales@pennbarry.com | Tel 972 212 4700 | Fax 972 212 4702

PennBarry reserves the right to make changes at any time, without notice, to models, construction, specifications, options and availability. This document illustrates the appearance of PennBarry products at the time of publication. View the latest updates on the PennBarry website.

© 2018 PennBarry. All rights reserved. Zephyr JUNE 2018.



PENNBARRY™