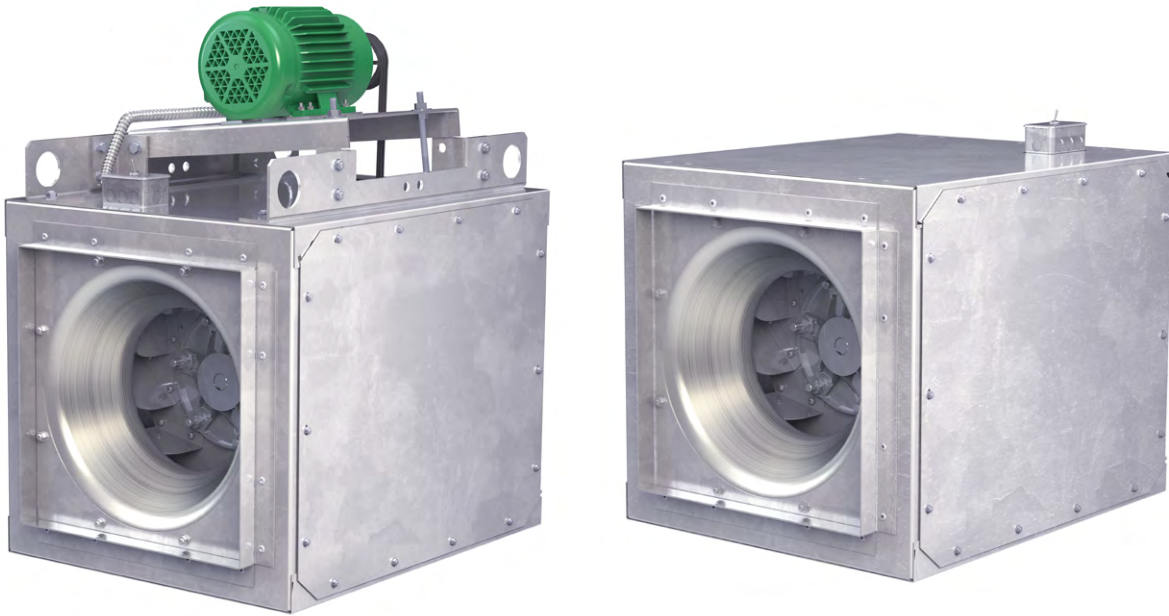


SQUARE INLINE FANS

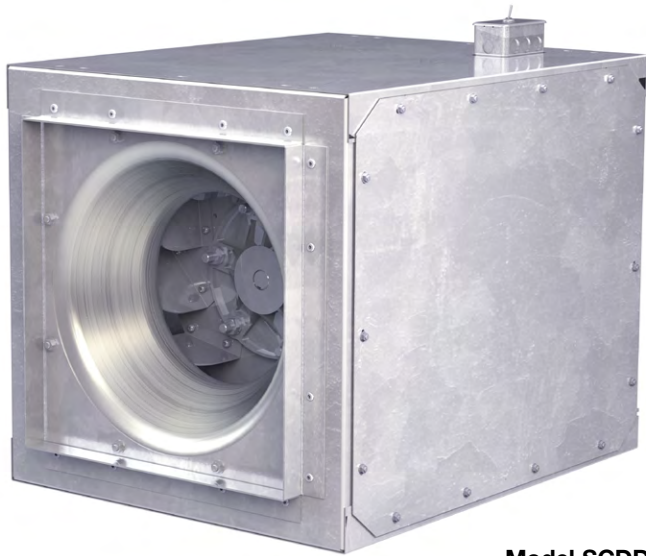


MODELS: SCDD/SCBD



Overview

SCDD | SCBD



Model SCDD
Direct Drive

Now Available with



see page 8



Aerovent's Model SCDD direct drive and Model SCBD belt driven square inline fans are specifically designed for duct applications handling relatively clean air, including supply, exhaust and return air systems. These fans offer high efficiency and quiet operation in a compact design that can be mounted in any position (horizontal, vertical or angular). Duct collars are provided for easy mounting without the need for square to round duct transitions. The units can be easily serviced through the side access panels without removing duct connections.

Square inline centrifugal units feature high efficient, non-overloading, backward inclined centrifugal wheels precisely matched to a spun venturi. All wheels are statically and dynamically balanced. Units are manufactured under strict quality assurance standards to insure cataloged performance and years of maintenance-free operation. Square inline fans are not intended for outdoor applications.

Typical Applications Include

General HVAC (exhaust, filtration, return and supply, air of commercial buildings), Air Pollution Control, Airport Exhaust, Automotive, Fertilizer, Food & Beverage, Laboratory Exhaust, Metal & Mineral Processing, Office Exhaust, Restroom Exhaust, Warehouse Exhaust and Water Treatment

Wheel Types

Backward Inclined

Optional Construction

Spark Resistant Construction (Type B and C), Easy Access Construction

Certifications

AMCA Sound/Air and FEG, UL 705 Listed for Electrical, OSHPD Seismic Preapproval per OSP-0271-10



All SCDD and SCBD models are UL/cUL 705 listed, for electrical, File No. E158680.



Aerovent, a Twin City Fan Company, certifies that the Models SCDD and SCBD shown herein are licensed to bear the AMCA Seal. The ratings shown are based on tests and procedures performed in accordance with AMCA Publication 211 and AMCA Publication 311 and comply with the requirements of the AMCA Certified Ratings Program.

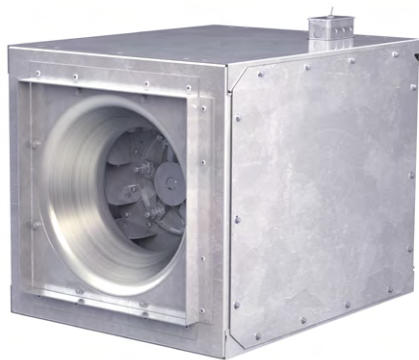


Fan Efficiency Grade (FEG) certification applies to Model SCDD Sizes 135A, 135AE, 150A, 150AE, 150AN, 150ANE, 165A, 165AE, 165AN and 165ANE and Model SCBD, Sizes 080A, 090A, 100A, 120A, 120AHP, 135A, 135AHP, 150A, 150AHP, 165A, 165AHP, 180A, 180AHP, 210A, 210AHP, 225A, 225AHP, 245A, 245AHP, 270A, 270AHP, 300A, 300AHP, 330A, 330AHP, 365A, 365AHP, 402A, 402AHP.

For complete product performance, drawings and available accessories, download our Fan Selector program at aerovent.com.

Overview

SCDD | SCBD

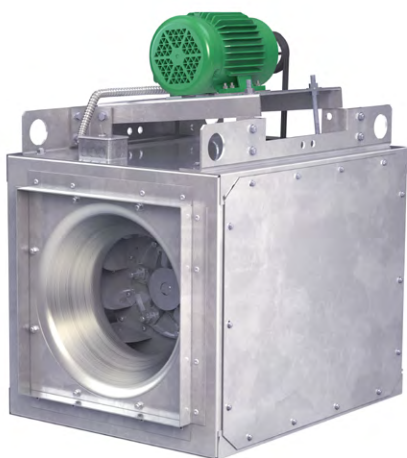


Model SCDD

Available in 10 sizes from 080 through 165
Airflow to 5,800 CFM
Static pressure to 2" w.g.



**General HVAC
(90 Degree Turn)**



Model SCBD

Available in 29 sizes from 080 through 402
Airflow to 27,400 CFM
Static pressure to 3.5" w.g.



**General HVAC
(Straight Inline)**

Housings - Housing assembly features heavy-gauge galvanized steel construction.

Removable Side Panels - Removable side panels provide easy access for service and maintenance without the need to remove duct connections. Complete removal of the power assembly is also possible through side access panels. Side panels can provide a 90-degree side discharge. Requires optional side discharge accessory.

Duct Collars - Duct collars provide ready attachment to ductwork and eliminate the need for square to round duct transitions.

Belt Tube/Bearing Cover - Constructed of heavy gauge galvanized steel, the belt tube and bearing cover enclose the belts, fan sheave and bearings within the airstream (Model SCBD).

Drive Frame - Motor and drive frame are constructed of heavy gauge galvanized steel. The pivoting motor base makes for simple belt tensioning (Model SCBD).

Wheel - Backward inclined non-overloading, all-aluminum wheel and hub statically and dynamically balanced to assure long life and quiet operation.

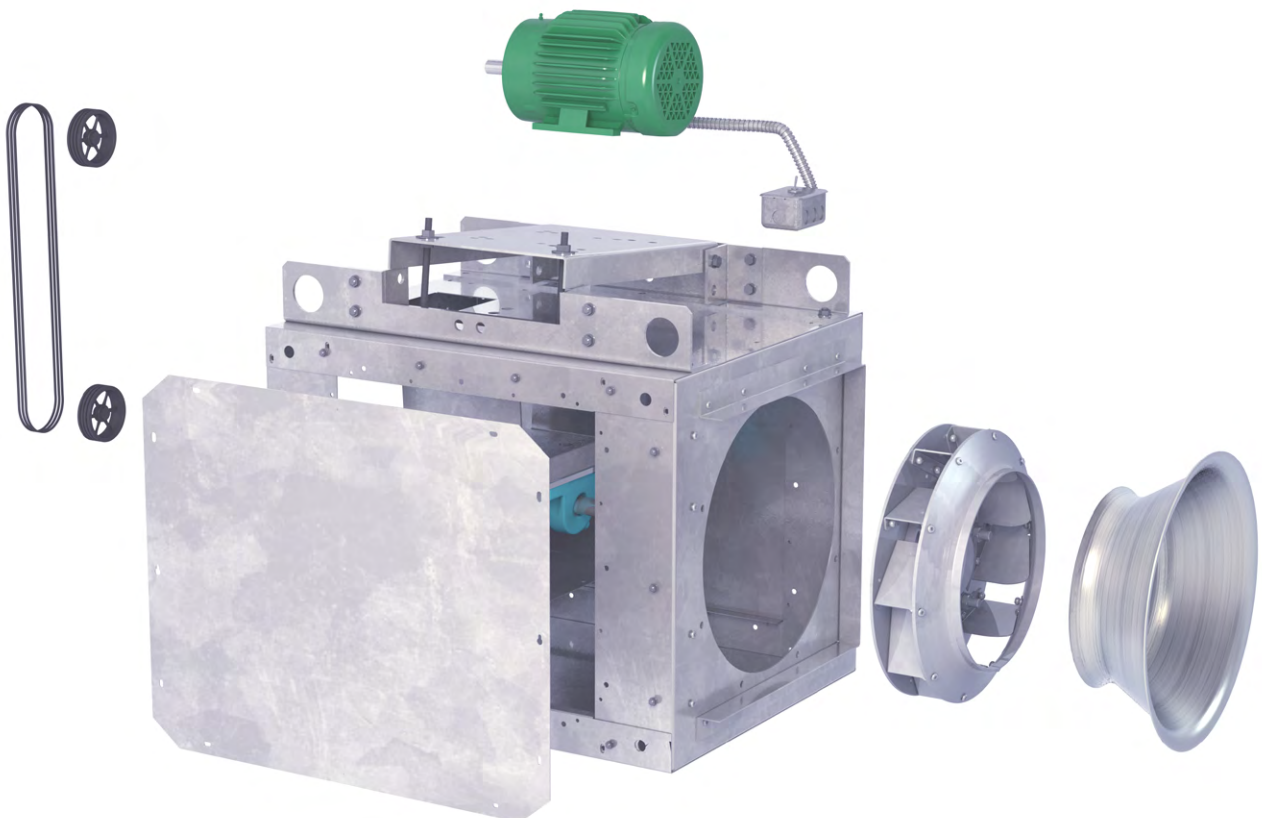
Mounting Brackets - Galvanized steel mounting brackets for easy mounting in horizontal or vertical position.

Pulleys - Heavy-duty cast iron adjustable pulleys to permit speed variation (Model SCBD).

Shaft - Precision ground and polished with a first critical speed of at least 125% of the fan's maximum operating speed (Model SCBD).

Bearings - All models are furnished with prelubricated cast iron pillow block bearings with zerk fittings, designed for an average life (L-50) of 500,000 hours or more at maximum cataloged operating speeds (Model SCBD).

Disconnect Switch - Mounted and prewired NEMA 1 disconnect switch provided as standard for servicing the unit without the danger of an accidental start.



Disconnect switches provide positive electrical shutoff during fan cleaning or maintenance.

NEMA 1 Disconnect Switch (Standard)

A NEMA 1 disconnect switch is available shipped loose for field mounting and wiring or factory mounted and wired with ODP or TEFC motors.



NEMA 1 Disconnect Switch

NEMA 3R Disconnect Switch

A NEMA 3R, rain proof, disconnect is available shipped loose for field mounting and wiring or factory mounted and wired externally.



NEMA 3R Disconnect Switch

NEMA 4 Disconnect Switch

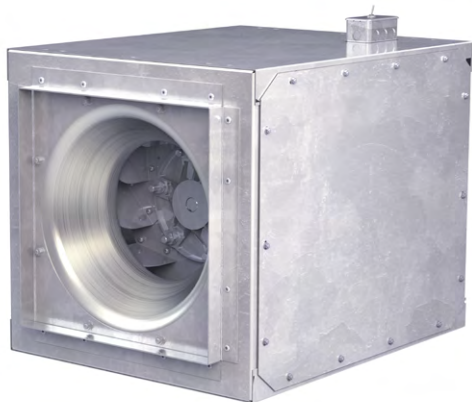
A NEMA 4, water and dust tight, disconnect is available shipped loose for field mounting and wiring or factory mounted and wired externally.



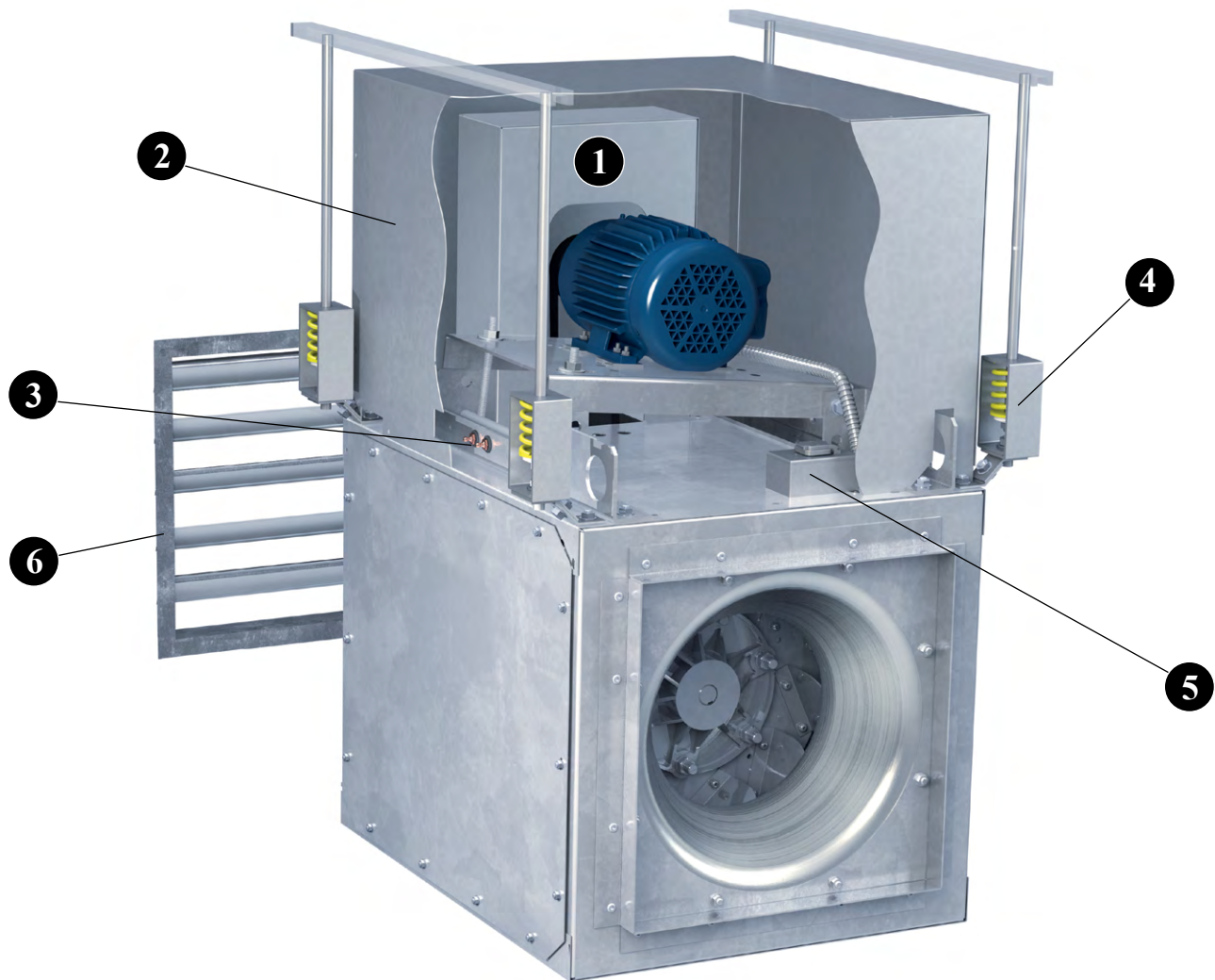
NEMA 4 Disconnect Switch

NEMA 7/9 Disconnect Switch

A NEMA 7/9 disconnect switch is recommended on fans with explosion proof motors. The NEMA 7/9 switch is designed for use with fans operating in hazardous environments. Available shipped loose for field mounting and wiring. (Not shown.)



**SCDD
Direct Drive**



1 Belt Guard is a formed galvanized steel guard available to cover the drive assembly on Model SCBD. Belt guard is offered in lieu of motor cover.

2 Motor Cover is a formed galvanized steel cover available on Model SCBD to completely cover the motor and drives. Motor cover serves as OSHA belt guard.

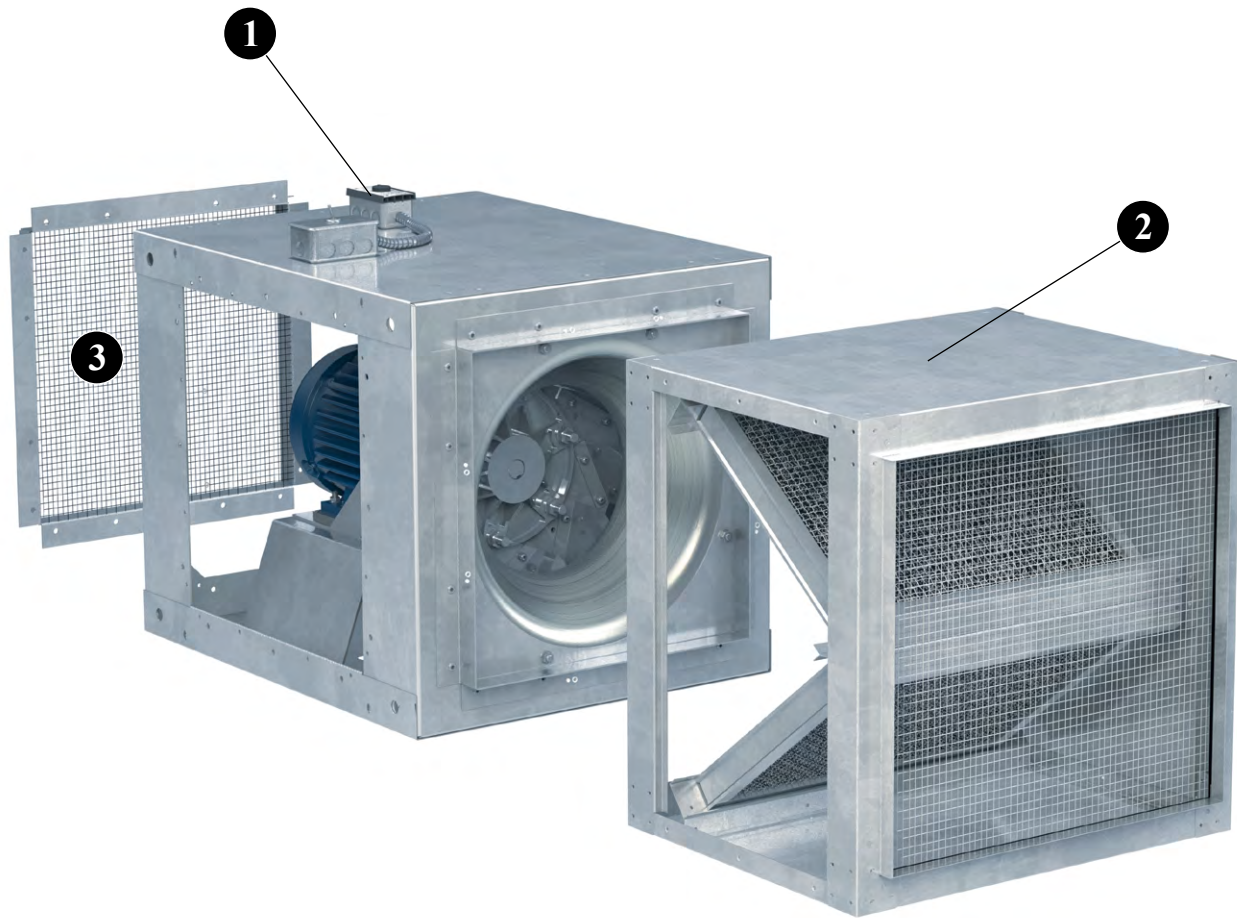
3 Extended Lube Lines Exterior mounting zerk fittings are available with lines to the fan shaft bearings (Model SCBD) for relubrication from outside the unit.

4 Vibration Isolators Spring or neoprene type vibration isolators are available for ceiling suspended or floor mounted installations.

5 NEMA 3R rain proof safety disconnect switch is available for positive electrical shutoff of the fan and the protection of service personnel.

6 Backdraft Dampers, with automatic or motorized operation, feature felt-edged damper blades for quiet operation. Damper frames are constructed of galvanized steel and blades are constructed of 26-gauge aluminum. All dampers ship loose for field mounting in ductwork.

Motorized dampers are recommended for low CFM applications to assure unrestricted airflow. Motorized dampers are available with 115, 208, 230, 460, 575 or 24 volt service; 575 volt service requires a step-down transformer. See dimensional data for sizing.



1 Variable Speed Control Variable speed control is an optional accessory on all SCDD models, to allow the adjustment of airflow for system balancing. Variable speed controllers are solid-state (Tri-ac) design and are designed to start the motor on high speed for better startup characteristics. Variable speed controls can be shipped separately, factory installed, or field installed on the unit at a later date. Motor must be ODP 115V, PSC or shaded pole type.

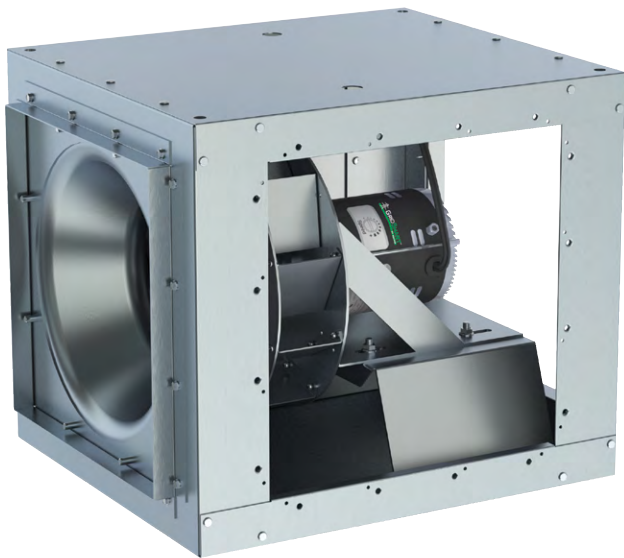
2 Filter Box A filter box containing two inch aluminum wire mesh, removable and washable filters is available for attachment to the fan inlet side. The filter box is constructed of galvanized steel, with duct collars for easy mounting and removable side panels for easy filter cleaning or replacement. Disposable paper filters are also available. One inch filters are available on either type. For filter box pressure drops contact factory. See page 26 for dimensional data.

3 Outlet Guard Inlet and outlet guards are available for all models. Guards mount inside the unit and do not interfere with the attachment of ductwork.

Other Accessories Include:

- Special Coatings
- Insulated Housings
- Aluminum Construction
- Stainless Steel Hardware
- NEMA 4 & 7/9 Disconnect Switches

AEROVENT 
INDUSTRIAL VENTILATION SYSTEMS



Model SCDD
With GridSmart™ EC Motor

Aerovent offers its own line of custom engineered Electronically Commutated (EC) motors. Electronic commutation is the latest motor technology to be used in direct drive fans. Also known in the industry as Brush Free or Brushless DC, the EC motors utilize an electronic circuit board to control the functionality of the motor. The motor operates off of single phase AC power, which is converted to DC power within the motor's circuitry. Aerovent has motor options available for 115V, 208-230V or 277V single phase electrical power. The result is a highly efficient motor, even at part load, with an expanded speed control range and a variety of speed control options from which to choose. EC motors are available in ODP, TENV and TEFC enclosures.



Benefits

- Efficiencies up to 85%
- Constant efficiency as the motor speed is varied
- Up to 66% energy savings over traditional PSC motors
- Performance range comparable to a belt drive fan with reduced maintenance benefits of a direct drive fan
- 80% usable turndown range as compared with 40% maximum on PSC motors
- Soft start gives fans smooth, quiet start
- Lower operating temperatures result in longer life and reduces energy consumption
- Heavy-duty ball bearings are permanently lubricated
- Elimination of VFD results in lower initial cost

EC Motor Options

1/6HP to 1HP

- 1/6HP: 115V, single phase
- 1/4HP – 1HP: 115V, 208-230V, 277V, single phase
- ODP or TENV Enclosure
- Motor mounted speed control dial as standard
- 0-10VDC control leads as standard
- Available with remote mounted speed control dial

1HP & 2HP

- 1HP: 115V, 208-230V, single phase
- 2HP: 208-230V, single phase
- TEFC enclosure (totally enclosed fan cooled)
- Available with motor mounted speed dial or 0-10VDC control lead



1HP & 2HP
GridSmart™ EC Motors



1/6HP to 1HP
GridSmart™ EC Motors

Side discharge kits (including panels, mounting collars and necessary hardware) are available to provide 1-way, 2-way or 3-way discharges. This option provides exceptional adaptability for any installation, as well as avoiding the system effect of disrupted airflow when the ductwork has to take a 90-degree turn.

Configurations

OPTION	FIGURE	CONFIGURATION
Standard	A	Rear
1-Way	B	Left
	C	Right
	D	Left and Right
2-Way	E	Left and Rear
	F	Right and Rear
	G	Left, Right and Rear

NOTE: Performance will change depending on the position of the discharge. See correction factor table below. Percentages based on (inline) cataloged performance, but are not AMCA certified. Always check BHP when selecting motor HP and fan size.

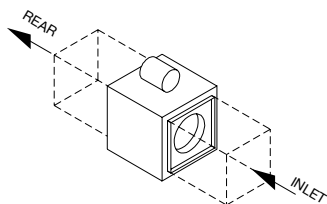


Fig. A

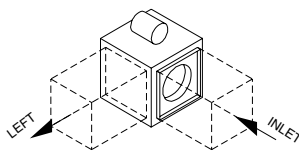


FIG. B

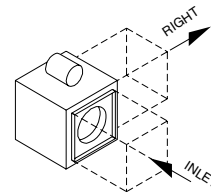


FIG. C

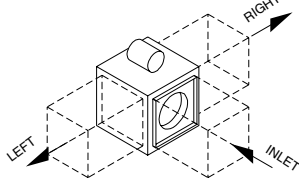


FIG. D

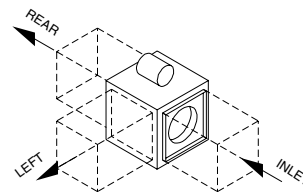


FIG. E

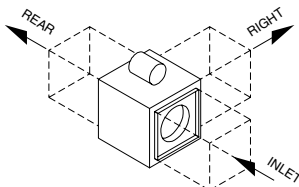


FIG. F

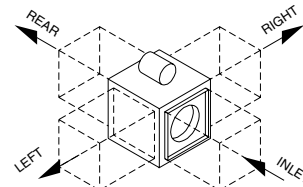


FIG. G

Performance Correction Factors

DISCHARGE	0.50" SP		1.00" SP		1.50" SP		2.00" SP		AVG.	
	CFM	BHP	CFM	BHP	CFM	BHP	CFM	BHP	CFM	BHP
1-Way	110.7%	113.0%	114.0%	110.8%	115.8%	108.5%	120.0%	102.3%	115.1%	108.7%
2-Way	114.7%	106.5%	118.1%	109.7%	120.3%	112.4%	126.8%	114.0%	120.0%	110.7%
3-Way	113.2%	105.9%	117.4%	109.7%	121.6%	113.0%	127.1%	114.0%	119.8%	110.7%

NOTE: The performance correction factors shown above are not licensed to bear the AMCA Certified Ratings Seal.

Duct Openings

MODEL SCBD	MODEL SCDD	LEFT AND RIGHT DISCHARGE			REAR DISCHARGE/INLET		
		DUCT COLLAR		DUCT SIZE REQUIRED	DUCT COLLAR		DUCT SIZE REQUIRED
		WIDTH	HEIGHT		WIDTH	HEIGHT	
080	080	11.88	11.88	12 x 12	11.88	11.88	12 x 12
090	090	11.88	11.88	12 x 12	11.88	11.88	12 x 12
100	100	13.88	13.88	14 x 14	13.88	13.88	14 x 14
120	120	15.88	15.88	16 x 16	15.88	15.88	16 x 16
135	135	17.88	17.88	18 x 18	17.88	17.88	18 x 18
150	150	19.88	19.88	20 x 20	19.88	19.88	20 x 20
165	165	22.88	22.88	23 x 23	22.88	22.88	23 x 23
180	—	23.88	23.88	24 x 24	23.88	23.88	24 x 24
210	—	27.88	27.88	28 x 28	27.88	27.88	28 x 28
225	—	25.88	28.88	26 x 29	29.88	29.88	30 x 30
245	—	27.88	31.88	28 x 32	32.88	32.88	33 x 33
270	—	29.88	33.88	30 x 34	35.88	35.88	36 x 36
300	—	29.88	37.88	30 x 38	39.88	39.88	40 x 40
330	—	31.88	39.88	32 x 40	43.88	43.88	44 x 44
365	—	32.88	41.88	33 x 42	45.88	45.88	46 x 46
402	—	34.88	46.88	35 x 47	51.88	51.88	52 x 52

NOTE: Damper size should be 1/8" less than duct size required, or same size as duct collar.

SCDD - 60 Hz

EC MOTOR		PSC MOTOR		RPM	MAX. BHP	STATIC PRESSURE (INCHES W.G.)										FAN EFF. GRADE		
SIZE	MTR HP	SIZE	MTR HP			0	0.125	0.25	0.375	0.50	0.625	0.75	1.00	1.25	1.50		1.75	2.00
						CFM SONE												
080AE	1/6	080A	1/8	860	0.01	323 4.2	247 3.4										N/A	
			1/8	1160	0.03	436 7.4	382 6.3	321 6.1	232 5.5									
			1/8	1650	0.10	620 10.4	583 10.4	545 8.7	505 8.0	459 8.6	403 8.3	335 7.3						
		---	---	1750	0.12	658 10.9	623 10.9	587 9.5	550 8.8	510 9.0	461 9.1	405 8.0						
090AE	1/4	090A	1/8	860	0.02	495 5.9	390 4.4										N/A	
			1/8	1160	0.05	668 9.8	592 8.2	510 7.9	401 6.4									
			1/8	1650	0.14	950 13.0	897 13.0	843 11.2	789 10.3	729 11.1	660 10.7	578 8.5						
		---	---	1750	0.17	1008 13.7	958 13.7	907 12.3	856 11.3	803 11.4	742 11.8	673 10.9						
100AE	1/2	100A	1/8	860	0.04	787 7.8	666 6.0	520 6.2									N/A	
			1/8	1160	0.11	1061 13.3	973 12.1	882 10.0	780 10.9	651 9.0								
			1/3	1750	0.36	1601 17.8	1543 17.8	1484 17.6	1424 15.9	1365 14.7	1303 14.8	1236 15.6	1083 14.9	877 11.7				
120AE	3/4	120A	1/8	860	0.07	1047 5.8	951 5.3	830 5.1	586 4.3								N/A	
			1/4	1160	0.18	1413 9.3	1344 9.3	1268 8.1	1183 7.7	1079 8.3	923 6.9							
			3/4	1750	0.63	2132 17.9	2087 17.9	2041 17.9	1993 17.7	1942 16.5	1889 15.5	1834 14.8	1709 15.6	1551 16.1	1288 14.2			
135ANE	3/4	135AN	1/8	860	0.08	1041 6.9	941 6.2	819 5.5	670 5.2								N/A	
			1/4	1160	0.20	1404 11.4	1332 11.4	1254 9.6	1165 8.4	1070 9.1	962 9.1	823 7.9						
			3/4	1750	0.69	2118 17.8	2071 17.8	2024 17.8	1974 17.8	1922 16.9	1867 15.7	1808 15.4	1685 15.9	1554 16.6	1401 14.8	1203 14.6		899 14.6
135AE	1, 2	135A	1/4	860	0.13	1437 7.1	1331 6.7	1208 5.9	1041 6.1								FEG56	
			1/2	1160	0.31	1938 11.2	1862 11.2	1780 10.7	1691 9.4	1591 9.4	1471 10.0	1306 8.9						
			1*	1750	1.07	2924 22	2875 22	2824 22	2771 22	2717 21	2660 20	2601 19.0	2476 18.3	2334 19.4	2161 19.6	1918 17.5		
150ANE	1, 2	150AN	1/4	860	0.13	1385 8.2	1277 7.9	1150 6.3	1005 6.9	810 5.9							FEG53	
			1/2	1160	0.32	1868 13.7	1790 13.7	1707 12.1	1615 10.5	1513 10.1	1407 11.0	1288 11.0	940 9.5					
			1*	1750	1.11	2818 21	2767 21	2715 21	2662 21	2606 20	2549 19.6	2488 18.6	2359 18.0	2221 19.2	2077 19.7	1913 18.5		1713 17.2
150AE	1	150A	1/4	860	0.20	1913 8.5	1798 8.5	1668 7.1	1513 7.5	1286 6.7							FEG56	
			1/2	1160	0.50	2580 13.5	2497 13.5	2409 13.3	2315 11.9	2213 11.3	2099 11.4	1965 12.1	1514 10.0					
	1	1200	0.55	2669 20	2589 20	2504 20	2414 20	2317 19.3	2212 18.2	2091 17.5	1742 17.2		18.3	17.0				
	2	1750	1.72	3892 26	3838 26	3783 26	3726 26	3667 26	3607 25	3545 24	3414 22	3273 22	3116 22	2931 23	2699 22			
165ANE	1**	165AN	1/4	860	0.23	2094 7.7	1953 7.6	1805 6.9	1647 7.2	1472 7.3	1248 7.2						FEG60	
			1/2	1160	0.56	2825 12.4	2721 12.4	2615 12.0	2506 11.4	2394 11.0	2277 11.2	2155 12.0	1877 11.2	1457 11.3				
	2	1750	1.93	4261 22	4193 22	4124 22	4054 22	3984 21	3912 21	3840 21	3694 20	3543 20	3386 21	3223 22	3048 23			
165AE	1	165A	1/2	860	0.33	2898 10.1	2683 9.9	2499 8.9	2323 9.2	2069 9.4	1773 8.2						FEG60	
			1	1160	0.81	3909 16.5	3744 16.5	3592 15.6	3452 14.7	3327 14.2	3199 14.8	3044 15.7	2640 13.7	2152 13.5				
	2	1500	1.76	5055 24	4925 24	4802 24	4684 23	4571 22	4465 21	4368 21	4174 21	3941 22	3637 22	3310 19.2	2935 19.8			
	---	---	1750	2.8	5898 30	5786 30	5678 30	5574 30	5473 29	5375 28	5281 27	5109 26	4945 26	4769 27	4552 28	4289 27		

* Designates motors that cannot be used with speed controller.
EC Motor is an Electronically Commutated Motor.
PSC Motor is a Permanent Split Capacitor Motor.

** Performance available with 1 HP 1160 RPM ECODP motors or 1 HP 1750 RPM ECTEFC motors. 1160 RPM maximum.

NOTES:

1. Performance certified is for Installation Type B: Free inlet, ducted outlet.
2. Performance ratings do not include the effects of appurtenances (accessories).
3. The sound ratings shown are loudness values in fan sones at 1.5m (5 ft.) in a hemispherical free field calculated per AMCA International Standard 301.
4. Values shown are for Installation Type B: free inlet hemispherical sone levels.

Belt Driven

SCBD | Size 080A

Outlet Area = 1.17 ft²

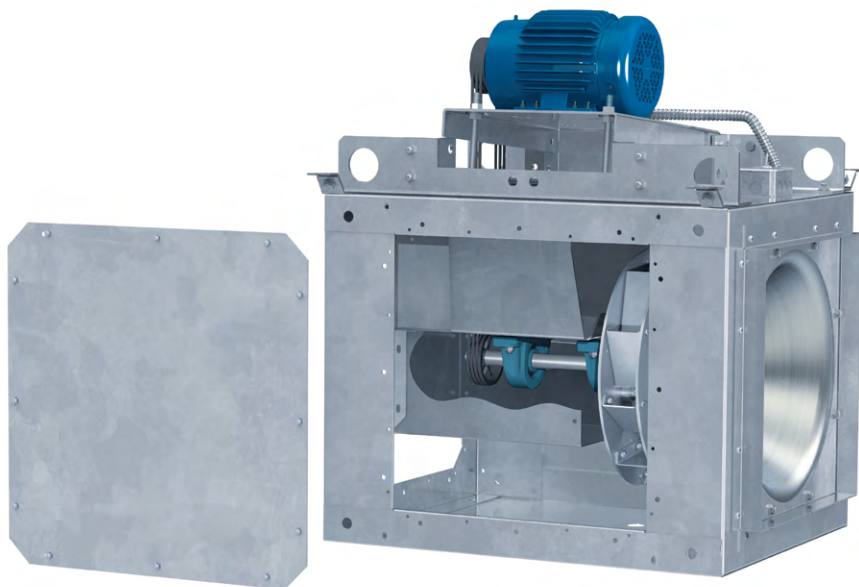
Fan Efficiency Grade: FEG50

HP	RPM	STATIC PRESSURE (INCHES W.G.)																							
		0.125		0.25		0.50		0.75		1.00		1.25		1.50		1.75		2.00		2.25		2.50		3.00	
		CFM	Sone	CFM	Sone	CFM	Sone	CFM	Sone	CFM	Sone	CFM	Sone	CFM	Sone	CFM	Sone	CFM	Sone	CFM	Sone	CFM	Sone	CFM	Sone
1/4	850	241																							
		0.01	3.1																						
	1050	333		261																					
		0.03	4.6	0.03	4.7																				
	1250	419		363																					
		0.04	6.6	0.04	5.9																				
	1450	502		455		349																			
		0.06	9.0	0.07	7.3	0.07	7.5																		
	1650	584		542		457		344																	
		0.09	11.0	0.10	9.1	0.10	9.2	0.10	7.8																
	1850	664		627		552		470		352															
		0.13	11.8	0.14	11.0	0.14	9.9	0.14	10.7	0.13	9.1														
2050	744		710		643		574		493		376														
	0.18	13.9	0.18	12.8	0.19	11.2	0.19	12.2	0.19	11.7	0.18	10.6													
2250	823		792		730		669		604		525		416												
	0.24	15.6	0.24	15.1	0.25	13.0	0.26	13.0	0.26	14.2	0.26	13.2	0.24	12.3											
2375	872		843		784		726		667		599		516		390										
	0.28	16.8	0.28	16.8	0.29	14.3	0.30	13.8	0.30	14.8	0.30	15.2	0.30	13.0	0.27	13.3									
2500	921		893		837		783		727		667		597		509										
	0.32	18.3	0.33	18.3	0.34	16.0	0.35	15.1	0.35	15.6	0.35	16.5	0.35	15.8	0.34	14.3									
2660	984		957		904		853		801		748		689		620		534								
	0.39	20	0.39	20	0.40	18.4	0.41	16.7	0.42	16.4	0.43	18.1	0.43	18.3	0.42	16.8	0.41	16.0							
2860	1062		1037		988		940		892		843		793		737		673		597						
	0.48	23	0.49	23	0.50	21	0.51	19.6	0.52	18.6	0.53	19.1	0.53	20	0.53	21	0.52	19.1	0.51	17.5					
3060	1139		1116		1070		1025		980		935		889		842		789		730		576				
	0.59	26	0.59	26	0.61	25	0.62	23	0.63	21	0.64	21	0.65	21	0.65	22	0.65	23	0.64	21	0.61	19.4			
3260	1217		1195		1152		1109		1067		1025		982		939		894		845		729		559		
	0.71	29	0.72	29	0.73	29	0.74	25	0.76	24	0.77	23	0.77	23	0.78	24	0.79	25	0.79	25	0.77	22	0.72	22	
3425	1281		1260		1218		1177		1137		1097		1057		1016		975		932		833		708		
	0.82	33	0.83	33	0.84	32	0.86	29	0.87	26	0.88	25	0.89	24	0.90	25	0.91	26	0.91	27	0.91	26	0.87	23	
3590	1344		1324		1285		1246		1207		1169		1131		1092		1053		1013		926		823		
	0.94	35	0.95	35	0.97	35	0.98	33	1.00	30	1.01	28	1.02	27	1.03	27	1.03	27	1.05	29	1.05	29	1.03	26	

MAXIMUM MOTOR FRAME SIZE: 145T

NOTES:

1. Performance certified is for Installation Type B: Free inlet, ducted outlet.
2. Power rating (BHP) does not include transmission losses.
3. Performance ratings do not include the effects of appurtenances (accessories).
4. The sound ratings shown are loudness values in fan sones at 5 ft. (1.5m) in a hemispherical free field calculated per AMCA International Standard 301.
5. Values shown are for installation Type B: free inlet hemispherical sone levels.



SCBD | 090A

Outlet Area = 1.62 ft²

Fan Efficiency Grade: FEG60

HP	RPM	STATIC PRESSURE (INCHES W.G.)																								
		0.125		0.25		0.50		0.75		1.00		1.25		1.50		1.75		2.00		2.25		2.75		3.25		
		CFM	Sone	CFM	Sone	CFM	Sone	CFM	Sone	CFM	Sone	CFM	Sone	CFM	Sone	CFM	Sone	CFM	Sone	CFM	Sone	CFM	Sone	CFM	Sone	
1/4	1450	752	697	562																						
		0.09	9.0	0.09	8.2	0.10	8.8																			
	1650	869	822	715	576																					
		0.13	11.1	0.13	10.6	0.14	10.1	0.14	10.9																	
1850	984	944	854	748	608																					
	0.18	13.2	0.18	13.3	0.19	12.0	0.20	12.8	0.20	12.4																
2015	1079	1042	962	872	764	616																				
	0.23	14.8	0.23	14.8	0.25	13.5	0.26	13.1	0.26	14.4	0.25	12.7														
1/3	2120	1139	1104	1029	946	851	734	505																		
		0.27	15.8	0.27	15.8	0.28	14.4	0.30	13.9	0.30	14.8	0.30	14.8	0.27	13.2											
2230	1201	1168	1099	1022	935	835	703																			
	0.31	16.8	0.31	16.8	0.33	15.9	0.34	14.7	0.35	15.5	0.35	16.2	0.35	14.1												
1/2	2390	1292	1262	1197	1128	1052	967	868	736																	
		0.38	17.9	0.38	17.9	0.40	17.6	0.41	16.3	0.43	16.3	0.43	17.3	0.44	17.3	0.42	14.4									
2550	1382	1354	1295	1231	1163	1088	1004	908	781																	
	0.46	19.8	0.47	19.8	0.48	19.6	0.49	18.7	0.51	17.9	0.52	18.4	0.53	19.4	0.53	18.6	0.51	16.0								
3/4	2735	1487	1460	1406	1348	1286	1220	1149	1069	979	866	646														
		0.56	22	0.57	22	0.59	22	0.60	21	0.62	20	0.63	20	0.65	21	0.65	22	0.65	21	0.64	18.4	0.58	17.3			
2920	1591	1566	1515	1462	1406	1347	1283	1215	1140	1056	956															
	0.69	25	0.69	25	0.71	25	0.73	24	0.74	23	0.76	22	0.78	22	0.79	24	0.79	24	0.79	23	0.78	21				
1	3060	1669	1646	1598	1547	1495	1440	1381	1319	1251	1178	1097	863													
		0.79	26	0.80	26	0.81	26	0.83	26	0.85	25	0.87	24	0.88	24	0.90	24	0.91	25	0.91	26	0.91	25	0.87	21	
3205	1750	1728	1682	1635	1585	1534	1480	1422	1361	1296	1224	1055														
	0.90	28	0.91	28	0.93	28	0.95	28	0.97	27	0.99	26	1.01	26	1.02	26	1.04	27	1.05	28	1.05	28	1.05	28	1.04	24

MAXIMUM MOTOR FRAME SIZE: 145T

SCBD | 100A

Outlet Area = 2.20 ft²

Fan Efficiency Grade: FEG56

HP	RPM	STATIC PRESSURE (INCHES W.G.)																								
		0.13		0.25		0.38		0.50		0.75		1.00		1.25		1.50		1.75		2.00		2.25		2.50		
		CFM	Sone	CFM	Sone	CFM	Sone	CFM	Sone	CFM	Sone	CFM	Sone	CFM	Sone	CFM	Sone	CFM	Sone	CFM	Sone	CFM	Sone	CFM	Sone	
1/4	1025	816	716	592																						
		0.07	6.8	0.07	6.2	0.07	6.9																			
	1275	1053	981	899	806																					
		0.13	9.9	0.13	9.1	0.14	8.7	0.14	9.5																	
1465	1229	1169	1103	1030	859																					
	0.19	12.3	0.20	12.1	0.20	11.2	0.21	10.8	0.22	12.1																
1565	1321	1265	1205	1140	992	790																				
	0.23	13.7	0.24	13.7	0.25	12.8	0.25	12.2	0.26	13.1	0.26	12.7														
1/3	1645	1394	1341	1285	1225	1090	924																			
		0.27	15.0	0.28	14.5	0.28	13.9	0.29	13.2	0.30	13.9	0.31	14.3													
1725	1467	1417	1364	1308	1184	1038	833																			
	0.31	16.0	0.32	16.0	0.33	15.4	0.33	14.5	0.35	14.4	0.35	15.6	0.34	14.4												
1/2	1850	1580	1534	1485	1434	1324	1199	1049	818																	
		0.38	17.9	0.39	17.9	0.40	17.1	0.41	16.3	0.42	15.5	0.43	16.7	0.44	17.5	0.41	16.1									
1980	1697	1654	1610	1563	1463	1353	1229	1077	825																	
	0.47	19.2	0.47	19.2	0.48	19.0	0.49	18.3	0.51	17.2	0.53	17.3	0.53	18.8	0.53	18.1	0.5	16.8								
3/4	2120	1823	1783	1742	1699	1609	1510	1403	1281	1133	894															
		0.57	21	0.58	21	0.59	20	0.60	20	0.62	19.2	0.64	18.6	0.65	19.5	0.66	20	0.65	19.1	0.61	17.9					
2255	1944	1906	1868	1829	1746	1656	1560	1455	1366	1192	970															
	0.68	22	0.69	22	0.70	22	0.71	22	0.74	21	0.76	19.9	0.77	19.9	0.79	21	0.79	21	0.78	19.9	0.74	18.1				
1	2370	2046	2011	1975	1938	1860	1777	1689	1593	1489	1371	1226	999													
		0.79	24	0.80	24	0.81	24	0.83	24	0.85	23	0.87	22	0.89	22	0.91	22	0.92	23	0.92	22	0.91	20	0.85	19.3	
2480	2145	2111	2077	2041	1968	1891	1808	1720	1626	1522	1405	1259														
	0.91	25	0.92	25	0.93	25	0.94	25	0.96	24	0.99	23	1.01	23	1.03	23	1.04	24	1.05	25	1.05	24	1.03	21		

MAXIMUM MOTOR FRAME SIZE: 145T

NOTES:

- Performance certified is for Installation Type B: Free inlet, ducted outlet.
- Power rating (BHP) does not include transmission losses.
- Performance ratings do not include the effects of appurtenances (accessories).
- The sound ratings shown are loudness values in fan sones at 5 ft. (1.5m) in a hemispherical free field calculated per AMCA International Standard 301.
- Values shown are for installation Type B: free inlet hemispherical sone levels.

Belt Driven

SCBD | 120A

Outlet Area = 2.67 ft²

Fan Efficiency Grade: FEG56

HP	RPM	STATIC PRESSURE (INCHES W.G.)																					
		0.125		0.25		0.375		0.50		0.625		0.75		1.00		1.50		1.75		2.00		2.25	
		CFM	BHP Sone	CFM	BHP Sone	CFM	BHP Sone	CFM	BHP Sone	CFM	BHP Sone	CFM	BHP Sone	CFM	BHP Sone	CFM	BHP Sone	CFM	BHP Sone	CFM	BHP Sone	CFM	BHP Sone
1/4	700	716		489																			
		0.04	3.5	0.04	3.0																		
	900	990		880		710																	
		0.08	6.2	0.09	6.0	0.09	5.7																
1/4	1100	1252		1166		1074		944		748													
		0.15	9.2	0.16	7.9	0.16	8.0	0.16	8.5	0.15	6.8												
1/3	1290	1495		1423		1349		1271		1169		1041											
		0.24	11.6	0.25	10.9	0.25	10.0	0.26	10.1	0.26	10.8	0.26	10.3										
1/3	1355	1578		1509		1439		1367		1282		1172											
		0.27	12.5	0.28	11.9	0.29	10.9	0.30	10.7	0.30	11.3	0.30	11.6										
1/2	1420	1660		1595		1528		1461		1387		1293		1040									
		0.31	13.6	0.32	13.0	0.33	11.8	0.34	11.6	0.35	11.7	0.35	12.4	0.34	10.5								
1/2	1525	1792		1732		1670		1607		1543		1471		1275									
		0.39	14.9	0.40	14.9	0.41	13.9	0.42	13.1	0.43	12.8	0.43	13.4	0.43	13.6								
3/4	1630	1923		1867		1810		1751		1693		1631		1476		1267							
		0.47	16.7	0.48	16.7	0.49	15.8	0.50	14.5	0.51	14.3	0.52	14.3	0.53	15.2	0.52	13.9						
3/4	1750	2072		2020		1968		1913		1859		1804		1681		1514		1302					
		0.58	18.6	0.59	18.6	0.61	17.7	0.62	16.8	0.63	15.8	0.64	15.6	0.65	16.4	0.65	16.6	0.64	14.6				
1	1865	2215		2166		2117		2067		2016		1965		1858		1726		1556		1337			
		0.70	21	0.71	21	0.73	20	0.74	19.4	0.75	18.3	0.76	17.6	0.78	17.6	0.79	18.7	0.79	18.3	0.77	15.3		
1	1955	2326		2280		2233		2186		2137		2089		1990		1877		1731		1557		1285	
		0.80	22	0.82	22	0.83	22	0.85	22	0.86	20	0.87	19.4	0.90	18.9	0.91	19.5	0.91	20	0.9	19.3	0.86	16.3
1	2045	2437		2393		2349		2304		2258		2211		2118		2017		1894		1741		1564	
		0.92	24	0.93	24	0.95	24	0.97	23	0.98	22	0.99	22	1.02	20	1.04	21	1.05	22	1.04	22	1.03	19.4
1 1/2	2195	2622		2582		2540		2498		2456		2413		2326		2238		2140		2022		1879	1718
		1.13	26	1.15	26	1.17	26	1.18	26	1.20	25	1.22	25	1.24	23	1.27	22	1.29	23	1.29	24	1.29	24
1 1/2	2345	2807		2769		2730		2691		2652		2612		2531		2450		2365		2271		2159	2026
		1.38	30	1.40	30	1.42	30	1.43	30	1.45	29	1.47	28	1.50	26	1.53	25	1.55	25	1.57	25	1.58	27

MAXIMUM MOTOR FRAME SIZE: 145T

SCBD | 120AHP

Outlet Area = 2.67 ft²

Fan Efficiency Grade: FEG53

HP	RPM	STATIC PRESSURE (INCHES W.G.)																							
		0.75		1.00		1.25		1.50		1.75		2.00		2.25		2.50		2.75		3.00		3.25		3.50	
		CFM	BHP Sone	CFM	BHP Sone	CFM	BHP Sone	CFM	BHP Sone	CFM	BHP Sone	CFM	BHP Sone	CFM	BHP Sone	CFM	BHP Sone	CFM	BHP Sone	CFM	BHP Sone	CFM	BHP Sone	CFM	BHP Sone
1/2	1240	586																							
		0.15	7.6																						
1/2	1450	921		720																					
		0.26	10.7	0.24	9.6																				
1/3	1525	1020		855																					
		0.30	11.3	0.30	10.9																				
1/3	1600	1112		963		754																			
		0.34	11.8	0.35	12.2	0.32	10.8																		
1/2	1720	1249		1125		978																			
		0.42	13.1	0.43	13.6	0.43	13.1																		
1/2	1840	1378		1275		1146		1004																	
		0.51	14.4	0.52	14.4	0.53	15.3	0.52	14.2																
3/4	1970	1513		1424		1318		1193		1055															
		0.62	16.9	0.63	16.0	0.64	16.4	0.64	16.6	0.63	15.2														
3/4	2105	1650		1571		1482		1375		1257		1126													
		0.75	19.3	0.77	18.0	0.78	17.5	0.79	18.4	0.79	18.2	0.77	17.0												
1	2210	1755		1681		1601		1509		1401		1287		1153											
		0.86	21	0.88	20	0.90	19.0	0.91	19.2	0.91	20	0.91	19.8	0.88	17.8										
1	2315	1858		1788		1715		1634		1539		1433		1323		1187									
		0.98	24	1.00	21	1.02	20	1.04	20	1.05	21	1.05	21	1.04	21	1.01	18.9								
1 1/2	2485	2024		1960		1894		1824		1747		1658		1560		1459		1348		1184					
		1.21	27	1.23	25	1.25	24	1.27	23	1.28	23	1.29	23	1.30	24	1.29	24	1.28	22	1.19	21				
1 1/2	2655	2187		2128		2067		2005		1938		1866		1784		1692		1598		1501		1384	1206		
		1.46	30	1.49	29	1.51	27	1.53	26	1.55	25	1.56	25	1.58	26	1.58	26	1.58	26	1.57	25	1.53	23		

MAXIMUM MOTOR FRAME SIZE: 145T

NOTES:

1. Performance certified is for Installation Type B: Free inlet, ducted outlet.
2. Power rating (BHP) does not include transmission losses.
3. Performance ratings do not include the effects of appurtenances (accessories).
4. The sound ratings shown are loudness values in fan sones at 5 ft. (1.5m) in a hemispherical free field calculated per AMCA International Standard 301.
5. Values shown are for installation Type B: free inlet hemispherical sone levels.

SCBD | 135A

Outlet Area = 3.22 ft²

Fan Efficiency Grade: FEG53

HP	RPM	STATIC PRESSURE (INCHES W.G.)																							
		0.125		0.25		0.375		0.50		0.625		0.75		1.00		1.25		1.50		1.75		2.00		2.25	
		CFM	Sone	CFM	Sone	CFM	Sone	CFM	Sone	CFM	Sone	CFM	Sone	CFM	Sone	CFM	Sone	CFM	Sone	CFM	Sone	CFM	Sone	CFM	Sone
1/4	900	1386		1268		1120		894																	
		0.14	8.0	0.15	7.1	0.15	7.7	0.15	6.1																
1/4	1075	1696		1599		1500		1380		1217															
		0.23	11.0	0.24	9.8	0.25	9.4	0.26	10.0	0.26	9.8														
1/3	1130	1792		1700		1607		1503		1365		1192													
		0.27	11.8	0.28	10.8	0.29	10.1	0.30	10.3	0.30	10.9	0.29	9.6												
1/3	1190	1897		1810		1721		1629		1515		1367													
		0.31	12.6	0.33	12.0	0.34	10.9	0.34	10.9	0.35	11.7	0.35	11.4												
1/2	1280	2053		1973		1890		1807		1716		1602		1292											
		0.39	13.9	0.40	13.4	0.41	12.4	0.42	12.0	0.43	12.2	0.43	13.0	0.42	10.8										
1/2	1370	2208		2133		2057		1980		1901		1811		1568											
		0.47	15.4	0.49	15.4	0.50	14.4	0.51	13.3	0.52	13.2	0.53	14.0	0.53	14.1										
3/4	1465	2370		2301		2231		2158		2086		2010		1818		1559									
		0.58	17.0	0.59	17.0	0.61	16.0	0.62	15.0	0.63	14.8	0.64	14.8	0.65	15.8	0.64	14.3								
3/4	1565	2541		2477		2411		2344		2277		2208		2054		1843		1572							
		0.70	19.0	0.72	19.0	0.73	18.3	0.75	17.2	0.76	16.5	0.77	16.2	0.79	17.2	0.79	17.3	0.77	14.8						
1	1640	2669		2608		2545		2482		2417		2353		2215		2038		1813							
		0.81	20	0.82	20	0.84	20	0.86	19.1	0.87	18.1	0.88	17.4	0.91	17.6	0.91	18.9	0.9	17.7						
1	1720	2805		2747		2687		2627		2566		2504		2378		2229		2034		1801					
		0.93	22	0.95	22	0.96	22	0.98	21	1.00	19.8	1.01	19.1	1.04	18.6	1.05	19.7	1.05	19.9	1.04	18.1				
1 1/2	1845	3017		2963		2908		2852		2795		2738		2623		2500		2350		2163		1946			
		1.14	25	1.16	25	1.18	25	1.20	24	1.22	23	1.23	22	1.27	21	1.29	21	1.30	22	1.29	22	1.28	21		
1 1/2	1970	3228		3178		3127		3075		3022		2969		2862		2752		2632		2484		2305		2105	
		1.39	27	1.41	27	1.43	27	1.45	27	1.47	26	1.49	25	1.52	24	1.55	23	1.58	24	1.58	25	1.58	24	1.56	23

MAXIMUM MOTOR FRAME SIZE: 145T

SCBD | 135AHP

Outlet Area = 3.22 ft²

Fan Efficiency Grade: FEG53

HP	RPM	STATIC PRESSURE (INCHES W.G.)																							
		0.25		0.50		0.75		1.00		1.25		1.50		1.75		2.00		2.25		2.50		2.75		3.00	
		CFM	Sone	CFM	Sone	CFM	Sone	CFM	Sone	CFM	Sone	CFM	Sone	CFM	Sone	CFM	Sone	CFM	Sone	CFM	Sone	CFM	Sone	CFM	Sone
1/4	1050	1116		899																					
		0.16	8.5	0.17	8.1																				
1/4	1200	1321		1161		937																			
		0.23	11.4	0.24	9.3	0.25	9.5																		
1/3	1275	1421		1276		1081		789																	
		0.28	12.6	0.29	10.1	0.30	10.8	0.26	9.7																
1/3	1350	1520		1387		1219		1007																	
		0.33	14.0	0.34	11.5	0.35	11.7	0.35	11.0																
1/2	1450	1651		1529		1390		1206		966															
		0.40	15.5	0.42	13.2	0.43	12.4	0.44	13.0	0.41	11.6														
1/2	1550	1780		1668		1546		1392		1212															
		0.49	17.2	0.51	15.0	0.52	13.6	0.53	14.4	0.53	13.9														
3/4	1655	1915		1812		1701		1573		1412		1237													
		0.59	19.0	0.61	17.4	0.63	15.2	0.64	15.2	0.65	16.0	0.64	14.6												
3/4	1765	2055		1959		1858		1747		1613		1457		1283											
		0.71	21	0.74	19.7	0.76	17.6	0.77	16.2	0.78	17.1	0.79	17.2	0.77	15.5										
1	1855	2169		2079		1983		1882		1767		1625		1475		1286									
		0.82	22	0.85	21	0.87	19.1	0.89	18.0	0.91	17.6	0.91	18.4	0.91	18.2	0.87	16.4								
1	1945	2282		2197		2107		2013		1910		1788		1646		1501		1294							
		0.94	24	0.97	23	1.00	21	1.02	19.4	1.04	18.6	1.05	19.5	1.05	19.9	1.04	19.3	0.98	17.8						
1 1/2	2085	2458		2379		2297		2211		2121		2021		1903		1771		1637		1470					
		1.16	26	1.19	26	1.22	24	1.24	22	1.26	21	1.28	21	1.29	22	1.30	22	1.29	22	1.25	19.7				
1 1/2	2225	2633		2560		2484		2405		2323		2236		2139		2027		1903		1779		1639		1423	
		1.40	29	1.44	29	1.47	27	1.50	26	1.52	24	1.54	23	1.56	23	1.57	24	1.57	24	1.57	24	1.55	23	1.43	22

MAXIMUM MOTOR FRAME SIZE: 145T

NOTES:

- Performance certified is for Installation Type B: Free inlet, ducted outlet.
- Power rating (BHP) does not include transmission losses.
- Performance ratings do not include the effects of appurtenances (accessories).
- The sound ratings shown are loudness values in fan sones at 5 ft. (1.5m) in a hemispherical free field calculated per AMCA International Standard 301.
- Values shown are for installation Type B: free inlet hemispherical sone levels.

Belt Driven

SCBD | 150A

Outlet Area = 3.90 ft²

Fan Efficiency Grade: FEG53

HP	RPM	STATIC PRESSURE (INCHES W.G.)																					
		0.125		0.25		0.375		0.50		0.625		0.75		1.00		1.50		1.75		2.00		2.25	
		CFM	CFM	CFM	CFM	CFM	CFM	CFM	CFM	CFM	CFM	CFM	CFM	CFM	CFM	CFM	CFM	CFM	CFM	CFM	CFM	CFM	CFM
		BHP	Sone	BHP	Sone	BHP	Sone	BHP	Sone	BHP	Sone	BHP	Sone	BHP	Sone	BHP	Sone	BHP	Sone	BHP	Sone	BHP	Sone
1/4	825	1693		1552		1378		1115															
		0.17	8.2	0.18	7.3	0.19	7.9	0.18	6.6														
1/4	920	1918		1793		1660		1481		1235													
		0.24	10.2	0.25	9.1	0.26	8.7	0.26	9.5	0.25	7.7												
1/3	970	2035		1917		1795		1646		1444													
		0.28	10.9	0.29	9.9	0.30	9.3	0.30	10.1	0.30	9.8												
1/3	1020	2152		2040		1925		1798		1626		1410											
		0.32	11.7	0.33	11.1	0.34	10.1	0.35	10.7	0.35	10.9	0.35	9.8										
1/2	1095	2326		2222		2116		2006		1874		1701											
		0.39	13.2	0.41	12.6	0.42	11.5	0.43	11.4	0.44	12.3	0.44	12.4										
1/2	1170	2498		2402		2303		2203		2094		1959		1593									
		0.48	14.6	0.49	14.2	0.51	13.0	0.52	12.5	0.53	12.9	0.53	13.4	0.52	11.7								
3/4	1250	2682		2592		2500		2407		2311		2204		1913									
		0.58	16.2	0.60	15.8	0.61	14.8	0.63	14.0	0.64	13.6	0.65	14.3	0.65	14.7								
3/4	1335	2876		2792		2707		2620		2532		2440		2209		1898							
		0.70	18.0	0.72	18.0	0.74	17.1	0.76	15.8	0.77	15.3	0.78	15.3	0.79	16.7	0.78	15.1						
1	1400	3024		2944		2863		2780		2697		2613		2416		2147		1771					
		0.81	18.8	0.83	18.8	0.85	18.5	0.87	17.5	0.88	16.8	0.90	16.1	0.91	17.3	0.91	17.3	0.88	14.4				
1	1465	3171		3096		3019		2940		2860		2781		2607		2377		2090					
		0.93	20	0.95	20	0.97	20	0.99	19.0	1.00	18.1	1.02	17.7	1.04	17.7	1.05	18.9	1.03	17.2				
1 1/2	1570	3409		3339		3267		3195		3120		3046		2894		2715		2483		2206			
		1.14	23	1.16	23	1.18	23	1.20	22	1.22	20	1.24	19.8	1.27	19.4	1.29	21	1.29	21	1.27	18.9		
1 1/2	1680	3657		3592		3525		3458		3389		3320		3181		3032		2851		2625		2365	
		1.39	25	1.41	25	1.44	25	1.46	25	1.48	24	1.50	22	1.54	21	1.57	21	1.58	23	1.57	23	1.56	21
2	1760	3837		3775		3712		3648		3583		3517		3385		3248		3094		2903		2676	2412
		1.59	27	1.62	27	1.64	27	1.67	27	1.69	25	1.71	24	1.75	23	1.79	23	1.81	24	1.82	25	1.81	24
2	1845	4028		3969		3909		3848		3787		3724		3598		3471		3334		3174		2979	2758
		1.83	29	1.86	29	1.89	29	1.91	29	1.94	28	1.96	27	2.00	25	2.04	25	2.08	25	2.09	26	2.09	27

MAXIMUM MOTOR FRAME SIZE: 184T

SCBD | 150AHP

Outlet Area = 3.90 ft²

Fan Efficiency Grade: FEG53

HP	RPM	STATIC PRESSURE (INCHES W.G.)																							
		0.50		0.75		1.00		1.25		1.50		1.75		2.00		2.25		2.50		2.75		3.00		3.25	
		CFM	CFM	CFM	CFM	CFM	CFM	CFM	CFM	CFM	CFM	CFM	CFM	CFM	CFM	CFM	CFM	CFM	CFM	CFM	CFM	CFM	CFM	CFM	CFM
		BHP	Sone	BHP	Sone	BHP	Sone	BHP	Sone	BHP	Sone	BHP	Sone	BHP	Sone	BHP	Sone	BHP	Sone	BHP	Sone	BHP	Sone	BHP	Sone
1/3	950	1078																							
		0.20	8.3																						
1/3	1140	1505		1261																					
		0.34	10.4	0.34	10.8																				
1/2	1230	1682		1481		1226																			
		0.42	11.9	0.43	12.0	0.42	11.5																		
1/2	1320	1853		1684		1465		1175																	
		0.51	13.6	0.52	12.8	0.53	13.6	0.49	11.9																
3/4	1415	2029		1881		1698		1482																	
		0.62	15.9	0.64	14.4	0.65	14.8	0.65	14.5																
3/4	1510	2201		2067		1914		1723		1512															
		0.75	17.8	0.77	16.1	0.79	15.5	0.79	16.5	0.78	15.6														
1	1585	2335		2210		2073		1906		1714		1484													
		0.86	19.6	0.88	17.9	0.90	16.9	0.92	17.5	0.92	17.6	0.88	15.6												
1	1660	2468		2350		2224		2078		1902		1715		1444											
		0.98	21	1.01	19.0	1.03	18.0	1.05	18.1	1.05	19.0	1.05	17.8	0.97	16.6										
1 1/2	1780	2679		2570		2457		2333		2189		2023		1848		1615									
		1.20	24	1.23	22	1.26	20	1.28	19.4	1.29	20	1.30	21	1.29	19.9	1.23	18.4								
1 1/2	1900	2887		2787		2682		2573		2453		2313		2155		1992		1794							
		1.45	27	1.48	25	1.51	23	1.54	22	1.56	22	1.58	22	1.58	23	1.57	22	1.53	20						
2	1995	3050		2956		2858		2756		2648		2527		2387		2235		2079		1889					
		1.67	29	1.71	27	1.74	26	1.77	24	1.79	23	1.81	23	1.83	25	1.83	25	1.82	24	1.77	22				
2	2090	3213		3123		3031		2935		2835		2728		2607		2469		2324		2175		1995		1721	
		1.91	31	1.95	29	1.99	28	2.02	26	2.05	25	2.07	25	2.09	25	2.10	26	2.10	26	2.09	26	2.04	24	1.86	24

MAXIMUM MOTOR FRAME SIZE: 184T

NOTES:

1. Performance certified is for Installation Type B: Free inlet, ducted outlet.
2. Power rating (BHP) does not include transmission losses.
3. Performance ratings do not include the effects of appurtenances (accessories).
4. The sound ratings shown are loudness values in fan sones at 5 ft. (1.5m) in a hemispherical free field calculated per AMCA International Standard 301.
5. Values shown are for installation Type B: free inlet hemispherical sone levels.

SCBD | 165A

Outlet Area = 4.83 ft²

Fan Efficiency Grade: FEG56

HP	RPM	STATIC PRESSURE (INCHES W.G.)																							
		0.125		0.25		0.375		0.50		0.625		0.75		1.00		1.25		1.50		1.75		2.00		2.25	
		CFM	Sone	CFM	Sone	CFM	Sone	CFM	Sone	CFM	Sone	CFM	Sone	CFM	Sone	CFM	Sone	CFM	Sone	CFM	Sone	CFM	Sone	CFM	Sone
1/3	810	2636		2420		2167		1919		1441															
		0.27	10.1		0.29	7.9		0.30	8.6		0.27	8.2													
1/2	875	2876		2690		2450		2238		1965		1403													
		0.34	11.5		0.36	9.6		0.37	8.6		0.38	9.6		0.37	9.6		0.33	9.4							
3/4	940	3114		2948		2737		2522		2324		2029													
		0.42	13.1		0.44	11.4		0.45	9.7		0.46	10.2		0.47	11		0.46	10.5							
1	1000	3332		3180		2998		2783		2598		2394													
		0.51	14.2		0.52	13.1		0.54	11.5		0.55	10.8		0.56	11.7		0.56	11.9							
1 1/2	1075	3602		3464		3308		3115		2924		2756		2269											
		0.63	16.1		0.65	15.2		0.66	13.4		0.68	12.3		0.69	12.3		0.70	13.3		0.68	12.7				
2	1145	3853		3726		3586		3420		3230		3062		2711		2031									
		0.76	17.5		0.77	17		0.79	15.6		0.81	14.1		0.82	13.4		0.83	14.1		0.84	14.7		0.77	13.8	
3	1205	4067		3948		3819		3672		3496		3322		3016		2559									
		0.88	18.6		0.90	18.6		0.92	17.1		0.94	15.8		0.95	14.5		0.96	14.5		0.98	15.9		0.96	14.5	
4	1260	4263		4150		4029		3896		3737		3564		3265		2916		2290							
		1.00	19.8		1.02	19.7		1.04	18.9		1.06	17.3		1.08	16		1.10	15.3		1.12	16.7		1.12	16.4	
5	1355	4600		4497		4387		4269		4137		3984		3678		3408		3040		2406					
		1.24	22		1.27	22		1.29	21		1.31	20		1.33	18.9		1.35	17.9		1.38	17.9		1.40	19.2	
6	1445	4919		4823		4722		4615		4500		4369		4071		3809		3545		3162		2529			
		1.51	24		1.53	24		1.55	24		1.58	23		1.60	22		1.62	20		1.66	19.2		1.68	20	
7	1520	5183		5093		4998		4898		4792		4678		4404		4134		3896		3616		3207		2508	
		1.75	26		1.77	26		1.80	26		1.82	25		1.85	24		1.87	23		1.91	21		1.94	21	
8	1590	5430		5344		5254		5161		5062		4957		4710		4439		4204		3970		3667		3234	
		2.00	28		2.03	28		2.05	28		2.08	27		2.10	26		2.13	25		2.17	23		2.21	22	
9	1705	5834		5755		5673		5587		5498		5404		5197		4948		4702		4487		4269		3997	
		2.46	30		2.49	30		2.52	30		2.55	30		2.57	30		2.60	29		2.65	27		2.70	25	
10	1780	6098		6022		5944		5863		5778		5691		5502		5276		5032		4812		4609		4392	
		2.80	34		2.83	34		2.86	34		2.89	34		2.92	32		2.94	32		3.00	29		3.05	27	

MAXIMUM MOTOR FRAME SIZE: 145T

SCBD | 165AHP

Outlet Area = 4.83 ft²

Fan Efficiency Grade: FEG56

HP	RPM	STATIC PRESSURE (INCHES W.G.)																							
		0.75		1.00		1.25		1.50		1.75		2.00		2.25		2.50		2.75		3.00		3.25		3.50	
		CFM	Sone	CFM	Sone	CFM	Sone	CFM	Sone	CFM	Sone	CFM	Sone	CFM	Sone	CFM	Sone	CFM	Sone	CFM	Sone	CFM	Sone	CFM	Sone
1/2	1000	1620		1053																					
		0.37	9.2		0.33	8.2																			
3/4	1130	2070		1776		1294																			
		0.53	10.6		0.53	10.6		0.49	9.7																
1	1210	2322		2071		1764																			
		0.65	11.3		0.65	12.1		0.65	10.5																
2	1290	2564		2342		2088		1758																	
		0.78	12.3		0.79	12.8		0.79	12.7		0.78	11.5													
3	1350	2741		2535		2306		2039		1631															
		0.88	13.3		0.90	13.0		0.91	13.9		0.91	12.9		0.86	12.4										
4	1415	2928		2736		2529		2294		2009		1498													
		1.01	14.4		1.03	13.8		1.04	14.2		1.05	14.5		1.04	13.0		0.93	13.0							
5	1520	3222		3051		2867		2669		2446		2182		1769											
		1.24	16.7		1.27	15.2		1.29	15.2		1.30	16.1		1.30	15.7		1.29	14.5		1.21	14.6				
6	1620	3495		3341		3175		2998		2808		2597		2351		1995									
		1.48	18.9		1.52	17.0		1.54	16.2		1.56	16.8		1.57	17.2		1.57	17.2		1.56	15.7		1.49	15.7	
7	1700	3710		3567		3413		3250		3077		2890		2684		2443		2099							
		1.69	20		1.74	18.9		1.77	17.9		1.79	17.4		1.81	18.0		1.81	18.6		1.82	18.2		1.8	16.7	
8	1785	3936		3803		3660		3509		3350		3182		3000		2802		2572		2254					
		1.94	23		1.99	21		2.03	19.3		2.06	18.9		2.09	18.9		2.10	19.3		2.10	19.6		2.10	19.0	
9	1920	4289		4169		4042		3907		3766		3618		3464		3299		3121		2928		2697		2382	
		2.39	26		2.45	24		2.50	23		2.54	21		2.57	20		2.59	20		2.61	21		2.61	22	
10	2040	4600		4489		4373		4250		4122		3988		3849		3704		3551		3388		3214		3020	
		2.84	28		2.91	27		2.97	25		3.01	24		3.05	23		3.08	22		3.11	22		3.13	23	

MAXIMUM MOTOR FRAME SIZE: 145T

NOTES:

- Performance certified is for Installation Type B: Free inlet, ducted outlet.
- Power rating (BHP) does not include transmission losses.
- Performance ratings do not include the effects of appurtenances (accessories).
- The sound ratings shown are loudness values in fan sones at 5 ft. (1.5m) in a hemispherical free field calculated per AMCA International Standard 301.
- Values shown are for installation Type B: free inlet hemispherical sone levels.

Belt Driven

SCBD | 180A

Outlet Area = 5.82 ft²

Fan Efficiency Grade: FEG56

HP	RPM	STATIC PRESSURE (INCHES W.G.)																						
		0.125		0.25		0.375		0.50		0.625		0.75		1.00		1.50		1.75		2.00		2.25		
		CFM	CFM	CFM	CFM	CFM	CFM	CFM	CFM	CFM	CFM	CFM	CFM	CFM	CFM	CFM	CFM	CFM	CFM	CFM	CFM	CFM	CFM	CFM
		BHP	Sone	BHP	Sone	BHP	Sone	BHP	Sone	BHP	Sone	BHP	Sone	BHP	Sone	BHP	Sone	BHP	Sone	BHP	Sone	BHP	Sone	
1/3	675	2849		2536		2228		1733																
		0.25	8.4	0.27	6.6	0.27	7.4	0.26	7.3															
1/2	730	3121		2854		2550		2237		1565														
		0.32	10	0.33	7.9	0.34	8	0.34	8.6	0.30	8.2													
3/4	785	3389		3159		2864		2607		2243														
		0.39	11.4	0.41	9.5	0.42	8.6	0.43	9.5	0.42	9.5													
1	840	3654		3449		3184		2928		2673		2267												
		0.48	13	0.50	11.2	0.51	9.6	0.52	10.2	0.53	10.9	0.51	10.6											
1 1/2	900	3941		3756		3529		3270		3048		2784												
		0.59	14.6	0.60	13.1	0.62	11.3	0.64	10.9	0.64	11.7	0.64	12											
2	960	4227		4056		3861		3619		3393		3184		2512										
		0.71	16.1	0.73	15.1	0.75	13.3	0.76	12.2	0.78	12.4	0.78	13.4	0.75	13.2									
3	1010	4463		4304		4126		3909		3678		3479		2985										
		0.82	17.2	0.84	16.5	0.86	14.7	0.88	13.3	0.90	13.2	0.91	14.2	0.90	14.3									
4	1055	4675		4525		4359		4164		3939		3736		3329		2586								
		0.93	18.3	0.96	17.8	0.98	16.4	1.00	14.8	1.02	14.1	1.03	14.3	1.04	15.4	0.97	14.7							
5	1135	5051		4913		4764		4600		4403		4194		3835		3385		2510						
		1.16	20	1.18	19.9	1.21	18.9	1.23	17.3	1.25	15.9	1.27	15.8	1.29	17	1.29	17.1	1.16	16					
6	1210	5401		5274		5138		4991		4824		4631		4267		3927		3418						
		1.40	22	1.43	22	1.45	21	1.48	20	1.50	18.4	1.52	17.4	1.55	18.1	1.57	19.1	1.54	17.5					
7	1275	5704		5585		5458		5322		5175		5004		4638		4323		3954		3378				
		1.64	24	1.66	24	1.69	24	1.72	22	1.74	21	1.77	19.5	1.81	18.9	1.83	20	1.83	21	1.76	18.3			
8	1330	5960		5846		5726		5599		5463		5310		4956		4640		4331		3897		3210		
		1.85	25	1.88	25	1.91	25	1.94	24	1.97	23	1.99	21	2.04	19.6	2.07	21	2.09	22	2.06	21	1.94	19.5	
9	1430	6424		6319		6210		6095		5973		5844		5537		5211		4929		4636		4235		3654
		2.30	28	2.33	28	2.36	28	2.39	27	2.42	26	2.45	25	2.50	23	2.55	22	2.58	24	2.60	24	2.57	23	2.46
10	1525	6864		6767		6665		6560		6449		6333		6072		5763		5471		5211		4932		4560
		2.79	30	2.82	30	2.85	30	2.88	30	2.92	29	2.95	29	3.01	26	3.06	25	3.10	25	3.13	26	3.15	27	3.12

MAXIMUM MOTOR FRAME SIZE: 184T

SCBD | 180AHP

Outlet Area = 5.82 ft²

Fan Efficiency Grade: FEG56

HP	RPM	STATIC PRESSURE (INCHES W.G.)																							
		0.75		1.00		1.25		1.50		1.75		2.00		2.25		2.50		2.75		3.00		3.25		3.50	
		CFM	CFM	CFM	CFM	CFM	CFM	CFM	CFM	CFM	CFM	CFM	CFM	CFM	CFM	CFM	CFM	CFM	CFM	CFM	CFM	CFM	CFM	CFM	
		BHP	Sone	BHP	Sone	BHP	Sone	BHP	Sone	BHP	Sone	BHP	Sone	BHP	Sone	BHP	Sone	BHP	Sone	BHP	Sone	BHP	Sone		
1/2	875	1753																							
		0.39	8.3																						
3/4	970	2218		1785																					
		0.53	10.4	0.53	9.4																				
1	1040	2524		2179		1645																			
		0.65	11.2	0.66	11.3	0.62	10.5																		
1 1/2	1105	2793		2492		2124																			
		0.78	11.8	0.79	12.6	0.78	11.0																		
2	1160	3013		2739		2422		1982																	
		0.89	12.7	0.91	13.4	0.91	13.0	0.88	11.9																
3	1215	3227		2974		2691		2354		1778															
		1.02	13.6	1.04	13.6	1.05	14.4	1.04	12.7	0.96	12.7														
4	1300	3549		3322		3075		2799		2468		1915													
		1.24	15.4	1.26	14.7	1.28	15.5	1.28	15.7	1.28	13.8	1.17	13.8												
5	1390	3881		3676		3456		3219		2954		2640		2155											
		1.49	17.4	1.53	16.1	1.55	16.0	1.57	17.0	1.57	16.8	1.56	15.4	1.46	15.4										
6	1460	4133		3944		3740		3524		3288		3027		2710		2217									
		1.71	19.1	1.76	17.8	1.79	17.0	1.81	17.2	1.82	18.1	1.82	17.5	1.80	16.4	1.68	16.4								
7	1530	4381		4206		4016		3816		3603		3371		3114		2797		2311							
		1.96	21	2.01	19.1	2.04	18.2	2.07	18.0	2.09	19.1	2.09	19.4	2.09	18.3	2.06	17.6	1.93	17.5						
8	1640	4766		4608		4438		4258		4070		3871		3657		3423		3157		2800		2202			
		2.38	24	2.44	22	2.49	21	2.53	20	2.55	19.8	2.57	20	2.58	21	2.58	20	2.57	18.9	2.49	18.9	2.26	18.9		
9	1750	5145		5000		4847		4685		4515		4338		4152		3953		3740		3507		3226		2843	
		2.86	26	2.93	24	2.99	23	3.04	22	3.08	21	3.10	21	3.12	23	3.13	23	3.13	22	3.13	21	3.09	21	2.97	21

MAXIMUM MOTOR FRAME SIZE: 184T

NOTES:

- Performance certified is for Installation Type B: Free inlet, ducted outlet.
- Power rating (BHP) does not include transmission losses.
- Performance ratings do not include the effects of appurtenances (accessories).
- The sound ratings shown are loudness values in fan sones at 5 ft. (1.5m) in a hemispherical free field calculated per AMCA International Standard 301.
- Values shown are for installation Type B: free inlet hemispherical sone levels.

SCBD | 210A

Outlet Area = 7.18 ft²

Fan Efficiency Grade: FEG56

HP	RPM	STATIC PRESSURE (INCHES W.G.)																							
		0.125		0.25		0.375		0.50		0.625		0.75		1.00		1.25		1.50		1.75		2.00		2.25	
		CFM	Sone	CFM	Sone	CFM	Sone	CFM	Sone	CFM	Sone	CFM	Sone	CFM	Sone	CFM	Sone	CFM	Sone	CFM	Sone	CFM	Sone	CFM	Sone
1/3	550	3133	2689	2192																					
		0.24	6.8	0.25	6	0.25	6.4																		
1/3	610	3549	3165	2785	2195																				
		0.32	8.6	0.33	6.9	0.34	7.7	0.33	7.4																
1/2	660	3889	3563	3187	2808	2042																			
		0.40	10.2	0.42	8.3	0.43	8.3	0.43	9	0.39	8.6														
1/2	700	4157	3868	3500	3179	2704																			
		0.47	11.5	0.49	9.5	0.51	8.8	0.52	9.6	0.51	9.7														
3/4	755	4523	4268	3940	3624	3308	2804																		
		0.59	13.4	0.61	11.4	0.63	10	0.65	10.4	0.65	11	0.63	11.1												
3/4	805	4852	4621	4337	4016	3740	3405																		
		0.71	15.1	0.74	13.4	0.76	11.4	0.78	10.9	0.79	12.1	0.79	12.4												
1	845	5114	4898	4645	4335	4058	3787	2802																	
		0.82	16.3	0.85	15	0.87	13	0.89	12	0.90	12.5	0.91	13.3	0.85	13.2										
1	885	5375	5172	4942	4656	4372	4122	3415																	
		0.94	17.4	0.97	16.2	0.99	14.5	1.02	13	1.03	13.2	1.04	14.1	1.02	14.3										
1 1/2	950	5797	5612	5407	5167	4888	4637	4137	3231																
		1.16	19.2	1.19	18.6	1.22	16.9	1.24	15.5	1.26	14.3	1.28	14.9	1.30	16	1.21	16.1								
1 1/2	1010	6185	6013	5826	5619	5369	5109	4663	4072																
		1.39	21	1.42	21	1.45	19.4	1.48	17.7	1.51	16	1.53	16	1.55	17.3	1.54	17.3								
2	1065	6540	6378	6205	6017	5799	5551	5103	4652	3927															
		1.63	22	1.66	22	1.69	21	1.72	19.9	1.75	18.1	1.78	17.1	1.81	18.2	1.83	19.2	1.76	18.2						
2	1115	6861	6708	6545	6371	6177	5950	5495	5096	4560	3650														
		1.87	24	1.90	24	1.93	24	1.96	22	1.99	20	2.02	19.1	2.07	19.1	2.09	20	2.07	20	1.93	19.3				
3	1200	7406	7265	7118	6961	6793	6606	6170	5779	5400	4875	4057													
		2.32	26	2.36	26	2.39	26	2.43	25	2.46	24	2.49	22	2.55	21	2.59	22	2.61	23	2.58	22	2.44	21		
3	1275	7885	7754	7617	7473	7321	7159	6771	6367	6018	5644	5120	4343												
		2.78	29	2.82	29	2.86	29	2.89	28	2.93	27	2.96	26	3.03	23	3.08	23	3.12	24	3.13	25	3.09	24	2.94	23

MAXIMUM MOTOR FRAME SIZE: 184T

SCBD | 210AHP

Outlet Area = 7.18 ft²

Fan Efficiency Grade: FEG56

HP	RPM	STATIC PRESSURE (INCHES W.G.)																							
		0.25		0.50		0.75		1.00		1.25		1.50		1.75		2.00		2.25		2.50		2.75		3.00	
		CFM	Sone	CFM	Sone	CFM	Sone	CFM	Sone	CFM	Sone	CFM	Sone	CFM	Sone	CFM	Sone	CFM	Sone	CFM	Sone	CFM	Sone	CFM	Sone
1/2	700	2665	2166																						
		0.33	7.3	0.34	7.4																				
1/2	810	3208	2816	2338																					
		0.49	10.0	0.52	8.8	0.53	9.3																		
3/4	865	3471	3118	2702	2144																				
		0.59	11.3	0.63	10.0	0.64	10.6	0.63	9.5																
3/4	925	3755	3435	3066	2628	1894																			
		0.72	12.9	0.76	11.7	0.78	11.7	0.79	11.6	0.72	10.6														
1	970	3966	3668	3325	2934	2424																			
		0.82	14.0	0.87	12.6	0.90	12.2	0.91	13.0	0.89	11.5														
1	1015	4175	3895	3576	3221	2798	2102																		
		0.93	14.9	0.99	13.9	1.02	13.0	1.04	13.8	1.04	12.6	0.96	12.2												
1 1/2	1090	4521	4267	3982	3668	3316	2895	2164																	
		1.15	16.7	1.21	15.8	1.26	14.3	1.28	14.3	1.29	15.1	1.28	13.2	1.17	13.2										
1 1/2	1165	4864	4630	4374	4091	3785	3440	3024	2309																
		1.39	18.3	1.46	17.4	1.52	16.3	1.55	15.5	1.57	16.3	1.58	16.4	1.56	14.8	1.42	14.4								
2	1220	5115	4894	4654	4391	4109	3800	3450	2999																
		1.59	19.4	1.66	18.8	1.73	17.6	1.77	16.6	1.80	16.7	1.81	17.5	1.81	16.7	1.77	15.5								
2	1280	5387	5178	4955	4711	4449	4169	3860	3510	3037															
		1.82	21	1.91	21	1.98	19.0	2.03	17.9	2.06	17.6	2.08	18.5	2.09	18.7	2.09	17.2	2.02	16.6						
3	1370	5793	5600	5396	5178	4942	4693	4428	4137	3815	3412	2776													
		2.22	23	2.31	23	2.39	22	2.46	20	2.50	19.1	2.54	19.1	2.55	20	2.56	20	2.56	19.1	2.52	18.4	2.34	18.4		
3	1465	6220	6041	5854	5656	5445	5220	4985	4736	4466	4172	3830	3361												
		2.70	25	2.80	25	2.89	24	2.97	23	3.03	21	3.07	21	3.11	21	3.12	22	3.13	22	3.13	21	3.11	19.8	3	19.9

MAXIMUM MOTOR FRAME SIZE: 184T

NOTES:

- Performance certified is for Installation Type B: Free inlet, ducted outlet.
- Power rating (BHP) does not include transmission losses.
- Performance ratings do not include the effects of appurtenances (accessories).
- The sound ratings shown are loudness values in fan sones at 5 ft. (1.5m) in a hemispherical free field calculated per AMCA International Standard 301.
- Values shown are for installation Type B: free inlet hemispherical sone levels.

Belt Driven

SCBD | 225A

Outlet Area = 8.03 ft²

Fan Efficiency Grade: FEG56

HP	RPM	STATIC PRESSURE (INCHES W.G.)																								
		0.125		0.25		0.375		0.50		0.625		0.75		1.00		1.25		1.50		1.75		2.00		2.25		
		CFM	BHP Sone	CFM	BHP Sone	CFM	BHP Sone	CFM	BHP Sone	CFM	BHP Sone	CFM	BHP Sone	CFM	BHP Sone	CFM	BHP Sone	CFM	BHP Sone	CFM	BHP Sone	CFM	BHP Sone	CFM	BHP Sone	
1/3	450	3358	0.21	5.5	2784	0.22	5.7																			
	520	4017	0.32	7.5	3578	0.34	7.0	3008	0.35	7.5																
1/2	560	4384	0.40	8.7	3994	0.42	8.1	3518	0.43	8.7	2870															
	600	4746	0.48	9.9	4395	0.51	8.9	3981	0.53	9.3	3467	2620														
3/4	640	5105	0.58	11.1	4783	0.61	10.1	4416	0.63	9.9	3982	3436														
	685	5505	0.71	12.1	5211	0.74	11.5	4883	0.77	10.9	4509	4065	3500													
1	720	5814	0.82	13.1	5538	0.85	12.8	5235	0.89	11.8	4896	4506	4041													
	750	6078	0.92	14.1	5816	0.96	13.9	5531	0.99	12.6	5215	4861	4448													
1 1/2	810	6603	1.15	15.6	6364	1.19	15.6	6109	1.23	14.3	5831	5528	5190	4353												
	865	7081	1.39	16.8	6861	1.44	16.8	6626	1.49	15.9	6376	6106	5813	5123	4138											
2	910	7472	1.61	17.9	7263	1.67	17.9	7044	1.72	17.2	6812	6564	6297	5691	4933											
	950	7817	1.83	18.4	7619	1.89	18.4	7411	1.94	18.3	7193	6961	6714	6163	5500	4586										
3	1025	8464	2.29	19.9	8282	2.35	19.9	8093	2.41	19.9	7895	7689	7471	6996	6454	5810	4930									
	1085	8980	2.71	21	8809	2.77	21	8632	2.84	21	8448	8258	8058	7629	7152	6604	5960	5019								
5	1185	9837	3.51	23	9682	3.59	23	9522	3.66	23	9358	9188	9012	8641	8237	7794	7297	6729	6036							
	1285	10692	4.47	26	10550	4.55	26	10404	4.62	26	10255	10101	9944	9615	9263	8885	8476	8024	7519							

MAXIMUM MOTOR FRAME SIZE: 215T

SCBD | 225AHP

Outlet Area = 8.03 ft²

Fan Efficiency Grade: FEG56

HP	RPM	STATIC PRESSURE (INCHES W.G.)																								
		0.75		1.00		1.25		1.50		1.75		2.00		2.25		2.50		2.75		3.00		3.25		3.50		
		CFM	BHP Sone	CFM	BHP Sone	CFM	BHP Sone	CFM	BHP Sone	CFM	BHP Sone	CFM	BHP Sone	CFM	BHP Sone	CFM	BHP Sone	CFM	BHP Sone	CFM	BHP Sone	CFM	BHP Sone	CFM	BHP Sone	
3/4	725	2733	0.62	9.1																						
	785	3288	0.79	10.8	2568	0.76	9.7																			
1	820	3625	0.91	11.5	2986	0.89	10.9																			
	860	3982	1.04	11.8	3369	1.04	11.8	2599	0.98	11.1																
1 1/2	920	4451	1.26	12.6	3927	1.28	13.4	3372	1.26	12.9	2337															
	985	4919	1.52	14.0	4530	1.56	14.3	3981	1.57	14.8	3446	2228														
2	1035	5266	1.75	15.0	4933	1.80	15.0	4453	1.82	16.0	3956	3349														
	1085	5606	1.99	15.9	5306	2.05	15.8	4923	2.09	17.0	4416	3953	3238													
3	1160	6108	2.40	17.9	5838	2.47	17.5	5537	2.53	17.5	5130	4660	4227	3590												
	1240	6635	2.91	19.9	6387	2.98	19.5	6126	3.05	18.8	5826	5417	4981	4580	4044	2974										
5	1355	7378	3.75	24	7156	3.83	22	6927	3.90	22	6687	6417	6069	5651	5282	4902	4383	3466								
	1470	8110	4.74	27	7910	4.82	26	7702	4.91	26	7490	7268	7025	6731	6358	5987	5654	5297	4825							

MAXIMUM MOTOR FRAME SIZE: 215T

NOTES:

1. Performance certified is for Installation Type B: Free inlet, ducted outlet.
2. Power rating (BHP) does not include transmission losses.
3. Performance ratings do not include the effects of appurtenances (accessories).
4. The sound ratings shown are loudness values in fan sones at 5 ft. (1.5m) in a hemispherical free field calculated per AMCA International Standard 301.
5. Values shown are for installation Type B: free inlet hemispherical sone levels.

SCBD | 245A

Outlet Area = 9.77 ft²

Fan Efficiency Grade: FEG56

HP	RPM	STATIC PRESSURE (INCHES W.G.)																							
		0.125		0.25		0.375		0.50		0.625		0.75		1.00		1.25		1.50		1.75		2.00		2.25	
		CFM	Sone	CFM	Sone	CFM	Sone	CFM	Sone	CFM	Sone	CFM	Sone	CFM	Sone	CFM	Sone	CFM	Sone	CFM	Sone	CFM	Sone	CFM	Sone
1/2	475	4748		4292		3692																			
		0.41	8.3	0.44	7.3	0.44	7.6																		
1/2	505	5097		4686		4171		3523																	
		0.49	9.4	0.52	8.0	0.53	8.6	0.52	7.8																
3/4	540	5500		5129		4684		4122		3387															
		0.59	10.3	0.63	9.4	0.65	9.1	0.65	9.4	0.61	7.7														
3/4	575	5900		5561		5166		4690		4122															
		0.70	11.5	0.75	10.6	0.77	9.8	0.79	10.5	0.78	9.9														
1	600	6183		5864		5498		5070		4545		3946													
		0.79	12.3	0.84	11.4	0.87	10.5	0.89	11.1	0.89	11.4	0.86	9.6												
1	630	6522		6222		5886		5499		5040		4517													
		0.91	13.3	0.97	12.7	1.00	11.8	1.02	11.5	1.03	12.3	1.02	11.7												
1 1/2	675	7027		6752		6452		6113		5729		5275													
		1.12	14.4	1.17	13.9	1.22	12.9	1.25	12.2	1.27	13.0	1.27	13.3												
1 1/2	725	7585		7334		7063		6765		6434		6062		5173											
		1.37	15.8	1.44	15.8	1.49	14.4	1.53	13.8	1.55	13.8	1.57	14.7	1.56	14.1										
2	760	7974		7736		7483		7208		6906		6572		5767		4638									
		1.57	16.6	1.64	16.2	1.70	15.6	1.75	14.7	1.78	14.5	1.80	14.9	1.81	15.9	1.67	13.6								
2	795	8362		8136		7898		7642		7364		7059		6345		5506									
		1.79	17.1	1.87	17.1	1.93	16.9	1.98	16.3	2.02	15.5	2.05	15.6	2.08	16.8	2.04	16.0								
3	850	8969		8761		8542		8310		8062		7795		7191		6453		5615							
		2.18	18.3	2.26	18.3	2.33	18.4	2.39	17.6	2.44	16.9	2.48	16.9	2.53	17.7	2.53	18.0	2.45	16.9						
3	910	9630		9437		9236		9025		8803		8566		8042		7429		6712		5866					
		2.66	19.8	2.75	19.8	2.83	19.6	2.90	19.0	2.96	18.8	3.01	18.3	3.08	18.0	3.11	19.3	3.10	19.5	2.97	18.2				
5	995	10563		10389		10208		10020		9825		9620		9177		8680		8109		7454		6764			
		3.46	21	3.56	21	3.65	21	3.73	21	3.81	21	3.87	20	3.97	20	4.03	20	4.07	22	4.06	22	3.97	22		
5	1080	11494		11334		11170		11000		10825		10644		10259		9835		9368		8841		8244		7629	
		4.41	25	4.51	25	4.61	25	4.71	25	4.79	24	4.87	23	5.01	23	5.10	22	5.16	23	5.20	25	5.20	25	5.13	25
7 1/2	1160	12367		12220		12068		11913		11753		11589		11244		10871		10466		10026		9536		8986	
		5.45	28	5.56	28	5.67	28	5.77	28	5.87	27	5.96	27	6.13	26	6.25	25	6.34	25	6.40	26	6.45	27	6.45	28
7 1/2	1235	13185		13047		12906		12762		12614		12462		12147		11812		11451		11063		10646		10186	
		6.56	30	6.68	30	6.79	30	6.91	30	7.01	30	7.12	30	7.30	29	7.46	28	7.58	28	7.66	28	7.73	28	7.78	30

MAXIMUM MOTOR FRAME SIZE: 215T

SCBD | 245AHP

Outlet Area = 9.77 ft²

Fan Efficiency Grade: FEG56

HP	RPM	STATIC PRESSURE (INCHES W.G.)																							
		0.75		1.00		1.25		1.50		1.75		2.00		2.25		2.50		2.75		3.00		3.25		3.50	
		CFM	Sone	CFM	Sone	CFM	Sone	CFM	Sone	CFM	Sone	CFM	Sone	CFM	Sone	CFM	Sone	CFM	Sone	CFM	Sone	CFM	Sone	CFM	Sone
1	650	3332																							
		0.74	9.8																						
1	730	4232		3570																					
		1.04	12.0	1.05	10.9																				
1 1/2	780	4731		4208		3435																			
		1.26	12.7	1.29	13.1	1.25	11.5																		
1 1/2	835	5257		4806		4248		3404																	
		1.52	13.3	1.56	14.6	1.58	14.2	1.48	12.6																
2	875	5627		5210		4739		4092																	
		1.73	14.3	1.78	15.4	1.81	16.0	1.79	13.9																
2	915	5989		5602		5179		4658		3927															
		1.96	15.2	2.02	16.0	2.06	17.1	2.08	16.5	2.00	14.8														
3	980	6566		6218		5842		5432		4920		4231													
		2.37	17.2	2.45	17.4	2.51	18.6	2.54	19.2	2.55	18.0	2.46	16.5												
3	1050	7176		6857		6523		6165		5773		5292		4667											
		2.87	19.8	2.96	18.9	3.04	19.7	3.10	21	3.13	21	3.13	20	3.06	18.6										
5	1150	8030		7743		7450		7143		6818		6472		6075		5585		4976							
		3.70	24	3.81	22	3.91	22	3.99	23	4.06	24	4.10	25	4.12	24	4.1	23	3.98	22						
5	1245	8828		8566		8300		8027		7743		7443		7131		6788		6386		5901		5317			
		4.62	27	4.76	26	4.87	25	4.97	25	5.06	25	5.13	26	5.19	28	5.23	28	5.23	27	5.18	25	5.02	24		
7 1/2	1335	9575		9332		9086		8837		8581		8315		8038		7750		7443		7100		6698		6226	
		5.63	30	5.78	30	5.92	28	6.04	28	6.14	28	6.23	28	6.31	30	6.38	30	6.43	30	6.45	31	6.44	29	6.37	27
7 1/2	1425	10314		10089		9860		9628		9394		9154		8905		8646		8380		8102		7801		7462	
		6.77	34	6.94	34	7.10	33	7.24	32	7.36	31	7.47	31	7.57	31	7.66	32	7.73	33	7.79	34	7.83	34	7.85	34

MAXIMUM MOTOR FRAME SIZE: 215T

NOTES:

1. Performance certified is for Installation Type B: Free inlet, ducted outlet.
2. Power rating (BHP) does not include transmission losses.
3. Performance ratings do not include the effects of appurtenances (accessories).
4. The sound ratings shown are loudness values in fan sones at 5 ft. (1.5m) in a hemispherical free field calculated per AMCA International Standard 301.
5. Values shown are for installation Type B: free inlet hemispherical sone levels.

Belt Driven

SCBD | 270A

Outlet Area = 11.11 ft²

Fan Efficiency Grade: FEG56

HP	RPM	STATIC PRESSURE (INCHES W.G.)																					
		0.125		0.25		0.375		0.50		0.625		0.75		1.00		1.50		1.75		2.00		2.25	
		CFM	CFM	CFM	CFM	CFM	CFM	CFM	CFM	CFM	CFM	CFM	CFM	CFM	CFM	CFM	CFM	CFM	CFM	CFM	CFM	CFM	CFM
1/2	375	5140		4357																			
		0.36	9.2	0.38	7.0																		
1/2	420	5895		5263		4470																	
		0.49	11.6	0.52	8.5	0.53	8.7																
3/4	450	6387		5839		5140		4277															
		0.60	12.6	0.64	10.4	0.65	10.0	0.64	8.2														
3/4	480	6874		6390		5762		5043															
		0.72	14.1	0.77	12.9	0.79	10.3	0.79	10.6														
1	500	7196		6744		6162		5507		4690													
		0.82	15.0	0.86	14.2	0.89	11.5	0.89	11.8	0.87	9.5												
1	525	7595		7178		6653		6050		5356													
		0.94	14.7	0.99	15.5	1.02	12.5	1.03	12.2	1.02	11.7												
1 1/2	565	8230		7855		7409		6869		6290		5614											
		1.16	16.0	1.21	16.0	1.26	14.8	1.28	13.4	1.29	13.9	1.27	12.8										
1 1/2	605	8861		8519		8130		7659		7140		6578											
		1.42	17.5	1.47	17.5	1.53	17.3	1.56	15.2	1.58	14.8	1.58	15.6										
2	635	9332		9010		8653		8232		7746		7240		6008									
		1.63	18.7	1.69	18.7	1.75	19.3	1.79	16.9	1.82	16.0	1.83	16.4	1.79	14.1								
2	665	9801		9498		9166		8786		8340		7867		6798									
		1.87	20	1.93	20	1.99	20	2.04	18.9	2.08	17.3	2.10	17.3	2.08	17.0								
3	710	10502		10223		9921		9589		9204		8772		7853		6719							
		2.26	22	2.33	22	2.40	22	2.46	22	2.51	19.9	2.54	19.0	2.56	20	2.50	17.0						
3	760	11278		11021		10746		10450		10122		9746		8922		7999		6755					
		2.76	23	2.84	23	2.91	23	2.98	23	3.04	22	3.08	21	3.14	21	3.12	22	2.98	17.4				
5	830	12361		12128		11884		11624		11347		11042		10330		9564		8702		7635			
		3.58	26	3.67	26	3.75	26	3.83	26	3.90	26	3.96	25	4.05	24	4.09	25	4.06	24	3.95	20		
5	900	13440		13228		13007		12775		12531		12272		11678		10994		10281		9482		8555	
		4.55	30	4.64	30	4.73	30	4.82	30	4.90	30	4.98	30	5.10	27	5.18	27	5.21	29	5.18	28	5.09	24
7 1/2	965	14439		14243		14040		13829		13608		13376		12869		12272		11625		10952		10205	
		5.59	33	5.69	33	5.79	33	5.89	33	5.98	33	6.06	33	6.21	32	6.33	31	6.40	30	6.42	31	6.39	31
7 1/2	1030	15437		15254		15066		14872		14670		14460		14011		13499		12916		12307		11673	
		6.78	37	6.89	37	7.00	37	7.10	37	7.20	37	7.30	37	7.47	36	7.62	35	7.73	33	7.79	34	7.81	36

MAXIMUM MOTOR FRAME SIZE: 215T

SCBD | 270AHP

Outlet Area = 11.11 ft²

Fan Efficiency Grade: FEG60

HP	RPM	STATIC PRESSURE (INCHES W.G.)																							
		0.75		1.00		1.25		1.50		1.75		2.00		2.25		2.50		2.75		3.00		3.25		3.50	
		CFM	CFM	CFM	CFM	CFM	CFM	CFM	CFM	CFM	CFM	CFM	CFM	CFM	CFM	CFM	CFM	CFM	CFM	CFM	CFM	CFM	CFM	CFM	CFM
1	530	2972																							
		0.64	7.7																						
1	605	4674																							
		1.04	10.1																						
1 1/2	650	5444		4515																					
		1.29	12.2	1.28	11.1																				
1 1/2	695	6139		5335		4251																			
		1.56	13.6	1.58	12.5	1.50	12.5																		
2	730	6631		5941		5113																			
		1.80	14.0	1.83	14.4	1.81	13.4																		
2	760	7032		6440		5666		4611																	
		2.02	14.7	2.06	15.8	2.06	14.2	1.96	14.3																
3	815	7744		7269		6623		5891		4762															
		2.47	17.0	2.51	17.0	2.55	17.1	2.53	15.9	2.37	16.4														
3	870	8438		8020		7519		6861		6171		5040													
		2.98	19.0	3.04	18.4	3.08	19.0	3.11	18.8	3.07	17.7	2.88	18.1												
5	950	9431		9055		8663		8189		7589		6965		6216											
		3.83	23	3.91	21	3.96	21	4.01	22	4.05	22	4.02	20	3.92	21										
5	1030	10411		10061		9714		9345		8905		8362		7784		7184		6276							
		4.81	26	4.93	25	5.01	24	5.06	23	5.11	25	5.15	25	5.15	23	5.08	23	4.88	23						
7 1/2	1105	11318		10989		10666		10340		9990		9580		9082		8541		8004		7374		6259			
		5.87	29	6.02	28	6.13	27	6.20	26	6.25	26	6.31	27	6.36	27	6.36	26	6.32	25	6.20	26	5.84	26		
7 1/2	1185	12275		11969		11663		11363		11057		10731		10357		9911		9411		8912		8398		7756	
		7.15	33	7.33	33	7.48	31	7.58	30	7.65	29	7.70	29	7.76	30	7.82	31	7.85	30	7.83	28	7.76	29	7.61	29

MAXIMUM MOTOR FRAME SIZE: 215T

NOTES:

1. Performance certified is for Installation Type B: Free inlet, ducted outlet.
2. Power rating (BHP) does not include transmission losses.
3. Performance ratings do not include the effects of appurtenances (accessories).
4. The sound ratings shown are loudness values in fan sones at 5 ft. (1.5m) in a hemispherical free field calculated per AMCA International Standard 301.
5. Values shown are for installation Type B: free inlet hemispherical sone levels.

SCBD | 300A

Outlet Area = 13.44 ft²

Fan Efficiency Grade: FEG56

HP	RPM	STATIC PRESSURE (INCHES W.G.)																							
		0.125		0.25		0.375		0.50		0.625		0.75		1.00		1.25		1.50		1.75		2.00		2.25	
		CFM	Sone	CFM	Sone	CFM	Sone	CFM	Sone	CFM	Sone	CFM	Sone	CFM	Sone	CFM	Sone	CFM	Sone	CFM	Sone	CFM	Sone	CFM	Sone
1	400	7531		6837		5958		4778																	
		0.68	12.9	0.72	10.2	0.74	9.8	0.70	7.3																
	450	8610		8054		7336		6527		5478															
		0.96	14.9	1.01	14.3	1.04	11.4	1.05	11.8	1.01	9.0														
1 1/2	480	9248		8747		8121		7397		6570															
		1.15	16.8	1.21	16.8	1.25	13.4	1.27	13.2	1.26	12.7														
	515	9988		9535		8999		8348		7651		6839													
		1.42	17.5	1.48	17.5	1.53	15.9	1.56	14.2	1.57	14.4	1.55	13.4												
2	540	10513		10088		9602		9007		8363		7650													
		1.62	18.5	1.69	18.5	1.75	18.0	1.79	15.2	1.81	15.3	1.80	15.5												
	565	11035		10636		10188		9651		9045		8406		6721											
		1.85	19.2	1.93	19.2	1.99	19.3	2.04	16.8	2.07	15.7	2.08	16.6	1.98	12.8										
3	605	11869		11502		11101		10642		10104		9532		8240											
		2.26	21	2.34	21	2.42	21	2.48	20	2.52	18.2	2.55	17.7	2.53	17.3										
	645	12698		12360		11994		11592		11126		10602		9488		8112									
		2.73	23	2.82	23	2.90	23	2.97	23	3.03	20	3.07	19.6	3.09	20	3.01	17.4								
5	710	14040		13739		13418		13074		12700		12273		11316		10274		9019							
		3.62	26	3.72	26	3.81	26	3.89	26	3.97	26	4.03	24	4.11	23	4.11	24	4.03	20						
	770	15274		14999		14711		14406		14081		13729		12903		12002		11016		9858					
		4.60	28	4.71	28	4.81	28	4.90	28	4.99	28	5.07	28	5.19	25	5.25	25	5.24	27	5.15	24				
7 1/2	825	16402		16148		15883		15606		15314		15005		14300		13484		12632		11690		10607			
		5.64	31	5.76	31	5.87	31	5.97	31	6.07	31	6.16	31	6.32	30	6.42	28	6.47	30	6.44	29	6.34	26		
	880	17527		17291		17046		16791		16525		16247		15636		14919		14139		13330		12435		11429	
		6.83	34	6.95	34	7.07	34	7.19	34	7.30	34	7.40	34	7.59	32	7.73	32	7.82	31	7.85	33	7.81	33	7.71	30

MAXIMUM MOTOR FRAME SIZE: 215T

SCBD | 300AHP

Outlet Area = 13.44 ft²

Fan Efficiency Grade: FEG60

HP	RPM	STATIC PRESSURE (INCHES W.G.)																							
		0.50		0.75		1.00		1.25		1.50		1.75		2.00		2.25		2.50		2.75		3.00		3.25	
		CFM	Sone	CFM	Sone	CFM	Sone	CFM	Sone	CFM	Sone	CFM	Sone	CFM	Sone	CFM	Sone	CFM	Sone	CFM	Sone	CFM	Sone	CFM	Sone
1	390	2715																							
		0.40	5.6																						
	515	6049		4817																					
		1.02	9.6	1.02	8.8																				
1 1/2	550	6697		5656																					
		1.24	10.5	1.26	10.3																				
	590	7396		6568		5439																			
		1.52	12.1	1.55	12.5	1.54	11.2																		
2	620	7905		7196		6180		4525																	
		1.75	13.6	1.79	13.9	1.81	12.0	1.63	12.3																
	650	8407		7773		6876		5807																	
		2.00	15.4	2.05	14.1	2.09	14.4	2.04	13.6																
3	700	9233		8668		7984		7069		5958															
		2.47	18.2	2.54	15.7	2.59	16.7	2.60	15.1	2.51	15.2														
	745	9968		9440		8872		8107		7228		5967													
		2.95	21	3.04	17.5	3.09	17.6	3.14	18.0	3.12	16.2	2.96	16.8												
5	810	11018		10527		10039		9480		8742		7935		6942											
		3.73	23	3.87	21	3.94	19.4	3.99	20	4.04	20	4.02	18.6	3.89	19.5										
	880	12133		11679		11233		10774		10241		9558		8815		8022		6584							
		4.71	25	4.89	25	5.00	23	5.06	22	5.12	23	5.17	23	5.17	22	5.08	22	4.73	22						
7 1/2	945	13157		12737		12316		11901		11464		10951		10314		9620		8917		7959					
		5.77	28	5.98	28	6.13	26	6.22	25	6.28	25	6.35	26	6.40	26	6.41	24	6.34	24	6.15	25				
	1010	14173		13782		13386		12997		12605		12188		11702		11112		10461		9818		9087		7869	
		6.97	30	7.21	30	7.40	30	7.53	27	7.61	27	7.68	27	7.75	28	7.81	28	7.83	28	7.78	26	7.66	26	7.28	27

MAXIMUM MOTOR FRAME SIZE: 215T

NOTES:

- Performance certified is for Installation Type B: Free inlet, ducted outlet.
- Power rating (BHP) does not include transmission losses.
- Performance ratings do not include the effects of appurtenances (accessories).
- The sound ratings shown are loudness values in fan sones at 5 ft. (1.5m) in a hemispherical free field calculated per AMCA International Standard 301.
- Values shown are for installation Type B: free inlet hemispherical sone levels.

Belt Driven

SCBD | 330A

Outlet Area = 16.46 ft²

Fan Efficiency Grade: FEG56

HP	RPM	STATIC PRESSURE (INCHES W.G.)																					
		0.125		0.25		0.375		0.50		0.625		0.75		1.00		1.50		1.75		2.00		2.25	
		CFM	CFM	CFM	CFM	CFM	CFM	CFM	CFM	CFM	CFM	CFM	CFM	CFM	CFM	CFM	CFM	CFM	CFM	CFM	CFM	CFM	CFM
		BHP	Sone	BHP	Sone	BHP	Sone	BHP	Sone	BHP	Sone	BHP	Sone	BHP	Sone	BHP	Sone	BHP	Sone	BHP	Sone	BHP	Sone
1	310	7663	6517	4805																			
		0.54	8.7	0.57	6.7	0.53	5.4																
1 1/2	380	9752	8983	7994	6823																		
		0.96	14.0	1.02	12.2	1.05	10.7	1.03	9.9														
2	405	10479	9795	8908	7908	6582																	
		1.16	15.6	1.22	14.9	1.26	11.9	1.26	12.3	1.21	9.4												
3	435	11343	10732	9970	9088	8082																	
		1.42	17.6	1.49	17.6	1.55	14.0	1.57	13.7	1.56	13.3												
4	455	11916	11343	10654	9829	8932	7858																
		1.62	18.7	1.70	18.7	1.76	15.7	1.79	14.1	1.79	14.8	1.76	12.4										
5	475	12485	11946	11318	10550	9727	8787																
		1.84	19.3	1.92	19.3	1.98	17.6	2.03	15.4	2.04	15.6	2.02	15.1										
6	510	13477	12987	12438	11779	11036	10251	8162															
		2.26	21	2.35	21	2.42	21	2.49	17.5	2.52	16.8	2.53	17.2	2.40	13.2								
7	545	14463	14013	13519	12954	12290	11588	9992															
		2.74	22	2.84	22	2.93	22	3.00	21	3.05	18.5	3.08	18.3	3.05	18.0								
8	600	16005	15606	15176	14708	14175	13569	12272	10750														
		3.63	25	3.74	25	3.84	25	3.94	25	4.01	23	4.07	21	4.12	21	4.06	20						
9	650	17401	17037	16652	16240	15792	15286	14137	12898	11434													
		4.60	28	4.72	28	4.83	28	4.94	28	5.03	28	5.11	26	5.21	23	5.23	25	5.15	22				
10	700	18792	18458	18108	17737	17344	16918	15920	14826	13637	12250												
		5.72	32	5.85	32	5.98	32	6.09	32	6.20	32	6.30	30	6.45	27	6.53	27	6.52	28	6.42	25		
11	745	20040	19729	19405	19065	18707	18329	17465	16464	15420	14263	12932											
		6.88	34	7.02	34	7.15	34	7.28	34	7.40	34	7.52	34	7.71	30	7.83	29	7.88	31	7.84	31	7.73	27
12	780	21010	20714	20407	20088	19753	19401	18623	17707	16728	15697	14538	13186										
		7.88	35	8.03	35	8.17	35	8.31	35	8.44	35	8.56	35	8.78	33	8.93	32	9.03	32	9.04	33	8.97	32
13	820	22116	21837	21547	21247	20935	20610	19907	19089	18175	17235	16226	15099										
		9.14	38	9.29	38	9.44	38	9.59	38	9.73	38	9.86	38	10.11	36	10.30	35	10.43	34	10.50	35	10.49	36

MAXIMUM MOTOR FRAME SIZE: 256T

SCBD | 330AHP

Outlet Area = 16.46 ft²

Fan Efficiency Grade: FEG60

HP	RPM	STATIC PRESSURE (INCHES W.G.)																					
		0.75		1.00		1.25		1.50		1.75		2.00		2.25		2.75		3.00		3.25		3.50	
		CFM	CFM	CFM	CFM	CFM	CFM	CFM	CFM	CFM	CFM	CFM	CFM	CFM	CFM	CFM	CFM	CFM	CFM	CFM	CFM	CFM	CFM
		BHP	Sone	BHP	Sone	BHP	Sone	BHP	Sone	BHP	Sone	BHP	Sone	BHP	Sone	BHP	Sone	BHP	Sone	BHP	Sone	BHP	Sone
1 1/2	440	4716																					
		1.00	8.4																				
2	500	7005	4831																				
		1.57	10.7	1.40	10.3																		
3	525	7782	6329																				
		1.82	12.4	1.78	11.2																		
4	550	8512	7221																				
		2.08	13.3	2.08	11.9																		
5	590	9567	8485	7198																			
		2.54	14.6	2.58	15.0	2.53	13.8																
6	630	10536	9686	8557	7137																		
		3.07	16.4	3.12	16.9	3.14	15.3	3.01	15.6														
7	690	11923	11264	10413	9369	8178																	
		3.99	19.5	4.05	18.7	4.12	19.8	4.12	17.7	4.01	17.8												
8	745	13162	12577	11928	11082	10111	9053																
		4.97	23	5.06	21	5.12	21	5.19	22	5.19	19.8	5.08	20										
9	800	14385	13842	13285	12645	11827	10922	9976	8380														
		6.07	27	6.21	24	6.29	23	6.36	24	6.43	24	6.43	22	6.34	22	5.98	23						
10	855	15596	15081	14573	14039	13413	12637	11787	10930	9770													
		7.33	29	7.51	27	7.62	26	7.70	25	7.78	27	7.85	27	7.85	25	7.78	25	7.54	25				
11	900	16576	16084	15602	15113	14583	13953	13193	12386	11574	10550	8575											
		8.46	31	8.69	31	8.84	28	8.93	27	9.01	28	9.10	29	9.16	27	9.08	26	8.87	27	8.12	26		
12	940	17440	16970	16504	16043	15562	15027	14386	13638	12867	12088	11130	9424										
		9.57	33	9.82	33	10.01	31	10.13	30	10.21	30	10.30	30	10.39	32	10.44	30	10.43	29	10.35	28	10.14	29

MAXIMUM MOTOR FRAME SIZE: 256T

NOTES:

- Performance certified is for Installation Type B: Free inlet, ducted outlet.
- Power rating (BHP) does not include transmission losses.
- Performance ratings do not include the effects of appurtenances (accessories).
- The sound ratings shown are loudness values in fan sones at 5 ft. (1.5m) in a hemispherical free field calculated per AMCA International Standard 301.
- Values shown are for installation Type B: free inlet hemispherical sone levels.

SCBD | 365A

Outlet Area = 17.36 ft²

Fan Efficiency Grade: FEG53

HP	RPM	STATIC PRESSURE (INCHES W.G.)																							
		0.125		0.25		0.375		0.50		0.625		0.75		0.875		1.00		1.25		1.50		1.75		2.00	
		CFM	Sone	CFM	Sone	CFM	Sone	CFM	Sone	CFM	Sone	CFM	Sone	CFM	Sone	CFM	Sone	CFM	Sone	CFM	Sone	CFM	Sone	CFM	Sone
1	240	7252	4.2	5314	4.0																				
	320	10451	8.7	9423	7.7	8064	8.3																		
1 1/2	345	11407	10.6	10491	9.2	9375	9.8	7885	8.7																
	370	12351	12.1	11523	11.1	10562	11.0	9338	11.6																
2	385	12914	13.2	12129	12.3	11237	11.6	10145	11.0	8770															
	405	13659	14.3	12926	13.8	12107	12.9	11150	13.5	9953															
3	435	14771	15.9	14101	15.7	13368	15.6	12548	15.4	11578	10406														
	465	15875	17.3	15258	17.3	14592	16.1	13866	16.5	13049	12081	10956													
5	505	17338	19.9	16779	19.9	16185	19.4	15548	18.0	14857	14087	13194	12173												
	550	18976	23	18469	23	17937	23	17374	21	16777	16135	15430	14633	12747											
7 1/2	590	20425	25	19957	25	19470	25	18959	24	18422	17854	17248	16591	15040	13163										
	630	21870	29	21435	29	20984	29	20516	27	20027	19515	18977	18407	17121	15565	13694									
10	660	22951	31	22538	31	22111	31	21669	31	21211	20733	20235	19712	18566	17212	15635									
	695	24210	34	23820	34	23418	34	23003	33	22575	22131	21671	21192	20163	18996	17625	16081								

MAXIMUM MOTOR FRAME SIZE: 256T

SCBD | 365AHP

Outlet Area = 17.36 ft²

Fan Efficiency Grade: FEG56

HP	RPM	STATIC PRESSURE (INCHES W.G.)																							
		0.25		0.50		0.75		1.00		1.25		1.50		1.75		2.00		2.25		2.50		2.75		3.00	
		CFM	Sone	CFM	Sone	CFM	Sone	CFM	Sone	CFM	Sone	CFM	Sone	CFM	Sone	CFM	Sone	CFM	Sone	CFM	Sone	CFM	Sone	CFM	Sone
1 1/2	380	8578	8.6	7022	8.9																				
	420	9743	11.0	8471	10.3	6844	10.9																		
2	440	10320	12.3	9147	12.0	7646	12.0																		
	460	10895	13.7	9791	13.2	8397	12.5	6313	12.5																
3	495	11892	15.5	10869	15.6	9691	15.4	8320	15.4																
	530	12878	17.9	11913	17.3	10907	17.0	9652	17.0	8246															
5	575	14135	21	13229	20	12355	20	11313	20	10134	8699														
	625	15519	23	14674	23	13874	23	13026	21	12001	10917	9638													
7 1/2	670	16756	26	15964	26	15204	26	14454	26	13598	12604	11599	10408												
	720	18122	30	17382	30	16660	30	15970	30	15249	14414	13477	12542	11517	9203										
10	755	19074	32	18366	32	17671	32	17008	32	16343	15607	14763	13855	12971	11949	9636									
	790	20023	35	19345	35	18677	35	18034	35	17406	16745	15995	15159	14291	13446	12438	10227								

MAXIMUM MOTOR FRAME SIZE: 256T

NOTES:

1. Performance certified is for Installation Type B: Free inlet, ducted outlet.
2. Power rating (BHP) does not include transmission losses.
3. Performance ratings do not include the effects of appurtenances (accessories).
4. The sound ratings shown are loudness values in fan sones at 5 ft. (1.5m) in a hemispherical free field calculated per AMCA International Standard 301.
5. Values shown are for installation Type B: free inlet hemispherical sone levels.

Belt Driven

SCBD | 402A

Outlet Area = 21.20 ft²

Fan Efficiency Grade: FEG53

HP	RPM	STATIC PRESSURE (INCHES W.G.)																								
		0.125		0.25		0.375		0.50		0.625		0.75		0.875		1.00		1.125		1.25		1.50		1.75		
		CFM	BHP Sone	CFM	BHP Sone	CFM	BHP Sone	CFM	BHP Sone	CFM	BHP Sone	CFM	BHP Sone	CFM	BHP Sone	CFM	BHP Sone	CFM	BHP Sone	CFM	BHP Sone	CFM	BHP Sone	CFM	BHP Sone	
1 1/2	290	12803	8.6	11551	7.5	9898																				
	310	13837	10.3	12708	8.9	11321	9460																			
2	325	14605	11.1	13550	10.1	12305	10677																			
	340	15368	12.4	14377	11.4	13238	11810	9946																		
3	365	16630	14.5	15729	13.5	14722	13542	12064																		
	390	17882	16.1	17054	15.8	16146	15127	13911	12447																	
5	430	19870	19.1	19136	19.1	18347	17491	16540	15433	14130	12574															
	465	21599	22	20929	22	20220	19462	18644	17742	16707	15514	14190														
7 1/2	500	23319	24	22703	24	22057	21374	20649	19871	19021	18061	16972	15788													
	535	25032	27	24462	27	23867	23245	22591	21900	21163	20365	19476	18483	16212												
10	555	26009	28	25462	28	24893	24300	23679	23028	22340	21604	20804	19915	17876												
	585	27471	30	26955	30	26421	25867	25290	24689	24060	23396	22690	21928	20169	18133											

MAXIMUM MOTOR FRAME SIZE: 256T

SCBD | 402AHP

Outlet Area = 21.20 ft²

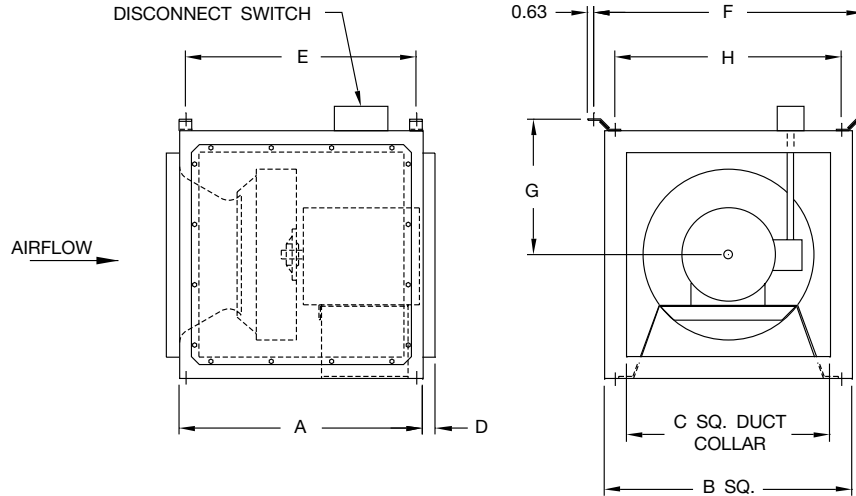
Fan Efficiency Grade: FEG56

HP	RPM	STATIC PRESSURE (INCHES W.G.)																								
		0.50		0.75		1.00		1.25		1.50		1.75		2.00		2.25		2.50		2.75		3.00		3.25		
		CFM	BHP Sone	CFM	BHP Sone	CFM	BHP Sone	CFM	BHP Sone	CFM	BHP Sone	CFM	BHP Sone	CFM	BHP Sone	CFM	BHP Sone	CFM	BHP Sone	CFM	BHP Sone	CFM	BHP Sone	CFM	BHP Sone	
1 1/2	300	6115																								
	355	9151																								
2	370	9886		7706																						
	390	10821	9.6	8929																						
3	420	12135	10.8	10463	12.0	8217																				
	445	13174	13.2	11713	14.1	10021																				
5	490	14984	18.7	13808	17.1	12337	10775																			
	530	16559	21.9	15516	20.5	14303	12888	11382																		
7 1/2	570	18119	24	17148	22	16129	14901	13583	12127																	
	605	19474	27	18544	25	17626	16575	15355	14125	12645																
10	640	20817	30	19924	28	19066	18152	17082	15903	14747	13278															
	670	21960	33	21097	31	20275	19437	18492	17412	16282	15169	13598														
15	715	23663	36	22847	34	22062	21294	20488	19572	18551	17490	16459	15234	12566												
	765	25541	40	24774	38	24023	23303	22582	21815	20953	20004	19011	18045	17034	15602											

MAXIMUM MOTOR FRAME SIZE: 256T

NOTES:

- Performance certified is for Installation Type B: Free inlet, ducted outlet.
- Power rating (BHP) does not include transmission losses.
- Performance ratings do not include the effects of appurtenances (accessories).
- The sound ratings shown are loudness values in fan sones at 5 ft. (1.5m) in a hemispherical free field calculated per AMCA International Standard 301.
- Values shown are for installation Type B: free inlet hemispherical sone levels.



MODEL SCDD	EC MOTOR SIZES	A	B	C	D	E	F	G	H	DAMPER SIZE	AVG. SHIP WT. (LBS.)	SIDE DISCHARGE SIZE
080A	080AE	19.00	15.33	11.88	1.00	16.50	19.50	8.63	13.56	12.00 x 12.00	93	11.88 x 11.88
090A	090AE	19.00	15.33	11.88	1.00	16.50	19.50	8.63	13.56	12.00 x 12.00	96	11.88 x 11.88
100A	100AE	20.50	17.81	13.88	1.00	19.00	21.06	10.38	16.00	14.00 x 14.00	106	13.88 x 13.88
120A	120AE	21.50	19.38	15.88	1.00	20.00	22.06	11.13	17.00	16.00 x 16.00	127	15.88 x 15.88
135A/135AN	135AE/ANE	23.00	21.56	17.88	1.00	21.50	24.25	12.19	19.16	18.00 x 18.00	132	17.88 x 17.88
150A/150AN	150AE/ANE	24.00	23.82	19.88	1.00	22.50	26.38	13.29	21.31	20.00 x 20.00	157	19.88 x 19.88
165A/165AN	165AE/ANE	26.00	26.50	22.88	1.00	24.50	29.06	14.64	24.00	23.00 x 23.00	167	22.88 x 22.88

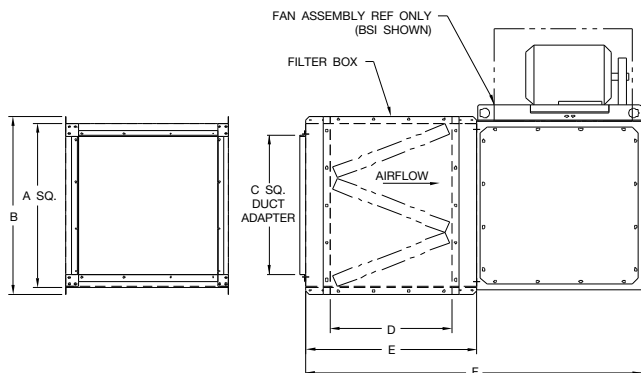
Notes:

1. All figures are in inches unless noted otherwise.
2. Average ship weight is for fan and motor assembly.
3. Dimensions are not to be used for construction.

R-1002419

Filter Box Assembly

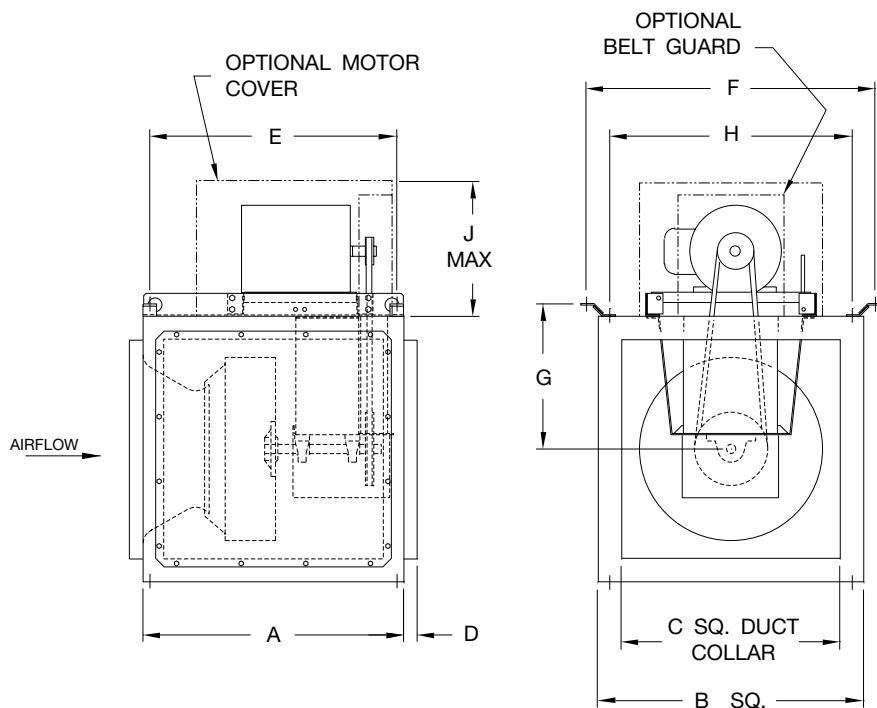
SIZE	A SQ.	B	C	D	E	F	FILTER SIZE	FILTER QTY.	AVG. SHIP WT. (LBS.)
080/090	16.00	18.50	11.88	21.44	28.38	47.38	25x16x2	1	99
100	18.06	20.56	13.88	19.88	26.75	47.25	25x16x2	1	113
120/120HP	19.62	22.12	15.88	24.50	31.38	52.88	25x16x2	2	148
135/135HP	21.75	24.25	17.88	24.00	32.00	55.00	25x20x2	2	181
150/150HP	23.94	26.44	19.88	23.75	32.00	56.00	25x20x2	2	200
165/165HP	26.62	29.12	22.88	19.56	28.00	54.00	25x20x2	3	203
180/180HP	29.12	31.62	23.88	19.25	26.50	55.00	25x20x2	3	220
210/210HP	32.44	34.94	27.88	21.00	31.00	63.00	25x16x2	4	290
225/225HP	34.25	36.75	29.88	24.00	33.00	67.00	25x16x2	6	397
							25x20x2	2	
245/245HP	37.75	40.25	32.88	18.88	30.00	56.50	25x16x2	2	439
							25x20x2	2	
270/270HP	40.25	42.75	35.88	23.00	33.00	72.00	25x20x2	6	568
300/300HP	44.25	46.75	39.88	24.00	33.00	74.50	25x20x2	8	654
330/330HP	48.94	51.44	43.88	23.50	34.00	79.50	25x16x2	12	842
365/365HP	50.25	52.75	45.88	19.75	30.50	77.38	25x20x2	12	850
							25x16x2	12	
402/402HP	55.50	58.00	51.88	24.75	36.00	88.00	25x20x2	12	1150
							25x16x2	6	



Notes:

1. All figures are in inches unless noted otherwise.
2. Filter box option is shipped separately for field installation.
3. For filter box information, see page 7.

Belt Driven



MODEL SCBD	A	B	C	D	E	F	G	H	J	DAMPER SIZE	AVG. SHIP WT. (LBS.)	SIDE DISCHARGE SIZE
080A	19.00	15.33	11.88	1.00	16.50	19.50	8.63	13.56	12.00	12.00 x 12.00	93	11.88 x 11.88
090A	19.00	15.33	11.88	1.00	16.50	19.50	8.63	13.56	12.00	12.00 x 12.00	96	11.88 x 11.88
100A	20.50	17.81	13.88	1.00	19.00	21.06	10.38	16.00	12.00	14.00 x 14.00	106	13.88 x 13.88
120A/120AHP	21.50	19.38	15.88	1.00	20.00	22.06	11.13	17.00	12.00	16.00 x 16.00	127	15.88 x 15.88
135A/135AHP	23.00	21.56	17.88	1.00	21.50	24.25	12.19	19.16	12.75	18.00 x 18.00	132	17.88 x 17.88
150A/150AHP	24.00	23.82	19.88	1.00	22.50	26.38	13.29	21.31	12.75	20.00 x 20.00	157	19.88 x 19.88
165A/165AHP	26.00	26.50	22.88	1.00	24.50	29.06	14.64	24.00	14.56	23.00 x 23.00	167	22.88 x 22.88
180A/180AHP	28.50	29.00	23.88	1.50	27.00	31.56	15.89	26.50	16.25	24.00 x 24.00	193	23.88 x 23.88
210A/210AHP	32.00	32.34	27.88	1.50	30.50	35.06	17.54	30.00	16.25	28.00 x 28.00	223	27.88 x 27.88
225A/225AHP	34.00	34.00	29.88	1.50	32.50	36.89	18.45	31.81	18.50	30.00 x 30.00	287	25.88 x 28.88
245A/245AHP	36.50	37.50	32.88	1.50	35.00	40.38	20.20	35.31	18.50	33.00 x 33.00	352	27.88 x 31.88
270A/270AHP	39.00	40.13	35.88	1.50	37.50	43.00	21.45	37.88	20.00	36.00 x 36.00	394	29.88 x 33.88
300A/300AHP	41.50	44.13	39.88	1.50	39.50	47.62	23.83	41.88	20.00	40.00 x 40.00	442	29.88 x 37.88
330A/330AHP	45.50	48.81	43.88	1.50	43.50	52.31	26.19	46.56	20.00	44.00 x 44.00	554	31.88 x 39.88
365A/365AHP	48.50	50.13	45.88	1.50	46.50	53.63	26.84	47.88	20.00	46.00 x 46.00	665	32.88 x 41.88
402A/402AHP	52.00	55.25	51.88	1.50	50.00	58.88	29.47	53.13	20.00	52.00 x 52.00	743	34.88 x 46.88

R-1002404

Notes:

1. All figures are in inches unless noted otherwise.
2. Average ship weight is for fan and motor assembly.
3. Dimensions are not to be used for construction.



Model SCDD

Supply or exhaust fans shall be of the direct drive Model SCDD centrifugal square inline type, as manufactured by Aerovent, Minneapolis, Minnesota.

PERFORMANCE — Performance ratings shall conform to AMCA Standard 205 (fan efficiency grade), 211 (air performance) and 311 (sound performance). Fans shall be tested in accordance with ANSI/AMCA Standard 210 (air performance) and 300 (sound performance) in an AMCA accredited laboratory. Fans shall be licensed to bear the AMCA certified ratings seal for both sound and air, and fan efficiency grade (FEG). Model SCDD shall be UL 705 listed.

CONSTRUCTION — Unit exterior shall be constructed of heavy gauge galvanized steel. The fan housing shall be square in shape and readily attachable to building ductwork. Unit side panels shall be removable for easy access for maintenance and service. The power assembly shall be removable as a complete module through the side access panel. Fan housings shall have universal mounting brackets to accommodate horizontal or vertical installations. Fans shall bear a permanently attached nameplate displaying model and serial number of the unit for future identification.

WHEEL — Fan wheels shall be of the non-overloading centrifugal backward inclined type, constructed of aluminum and containing a matching inlet venturi for optimum unit performance. Wheels shall be statically and dynamically balanced.

MOTOR — Motors shall be of the heavy-duty ball bearing type, closely matched to the fan load. A disconnect switch shall be factory installed and wired to the fan motor as standard. All motors shall be UL recognized.

ACCESSORIES — When specified, accessories such as backdraft damper, belt guard, motor cover, insulated housing, vibration isolators, side discharge, remote lubrication lines, inlet and outlet guards, special coatings, and filter box option shall be provided by Aerovent to maintain one source responsibility.

FACTORY RUN TEST — All fans prior to shipment shall be completely assembled and test run as a unit at operating speed or maximum RPM allowed for the particular construction type. Each wheel shall be statically and dynamically balanced in accordance with ANSI/AMCA 204-96 "Balance Quality and Vibration Levels for Fans" to Fan Application Category BV-3, Balance Quality Grade G6.3. Balance readings shall be taken by electronic type equipment in the axial, vertical, and horizontal directions. Records shall be maintained and a written copy shall be available upon request.

GUARANTEE — The manufacturer shall guarantee the workmanship and materials for its SCDD Square Inline Fans for at least one (1) year from startup or eighteen (18) months from ship date, whichever occurs first.



Model

SCBD



Supply or exhaust fans shall be of the belt driven Model SCBD centrifugal square inline type, as manufactured by Aerovent, Minneapolis, Minnesota.

PERFORMANCE — Performance ratings shall conform to AMCA Standard 205 (fan efficiency grade), 211 (air performance) and 311 (sound performance). Fans shall be tested in accordance with ANSI/AMCA Standard 210 (air performance) and 300 (sound performance) in an AMCA accredited laboratory. Fans shall be licensed to bear the AMCA certified ratings seal for both sound and air, and fan efficiency grade (FEG). Model SCBD shall be UL 705 listed. Fans shall bear a permanently attached nameplate displaying model and serial number of the unit for future identification.

CONSTRUCTION — Unit exterior shall be constructed of heavy gauge galvanized steel. The fan housing shall be square in shape and readily attachable to building ductwork. Unit side panels shall be removable for easy access for maintenance and service. The power assembly shall be removable as a complete module through the side access panel. Fan housings shall have universal mounting brackets to accommodate horizontal or vertical installations.

WHEEL — Fan wheels shall be of the non-overloading centrifugal backward inclined type, constructed of aluminum and containing a matching inlet venturi for optimum unit performance. Wheels shall be statically and dynamically balanced.

SHAFT — Fan shafts shall be precision ground and polished. Shafts shall have a first critical speed of at least 125% of the fan's maximum operating speed.

BEARINGS — Bearings shall be of the one-piece, pillow block type with relubricable zerk fittings. Bearings shall be designed for air handling service with a minimum L-10 life in excess of 100,000 hours; L-50 500,000 hours at the maximum cataloged operating speed. Bearing mounting plate shall have self-aligning tabs for exact locating and alignment of bearings.

DRIVE — Drives shall be sized for a minimum of 150% of driven horsepower. Machined, cast iron motor sheaves shall be adjustable for final system balancing. The belt and pillow block ball bearings shall be protected from the airstream by an enclosure.

MOTOR — Motors shall be of the heavy-duty ball bearing type, closely matched to the fan load. A disconnect switch shall be factory installed and wired to the fan motor as standard. Motor shall be mounted on the outside of the unit, isolated from the airstream. All motors shall be UL recognized.

ACCESSORIES — When specified, accessories such as backdraft damper, belt guard, motor cover, insulated housing, vibration isolators, side discharge, remote lubrication lines, inlet and outlet guards, special coatings, and filter box option shall be provided by Aerovent to maintain one source responsibility.

FACTORY RUN TEST — All fans prior to shipment shall be completely assembled and test run as a unit at operating speed or maximum RPM allowed for the particular construction type. Each wheel shall be statically and dynamically balanced in accordance with ANSI/AMCA 204-96 "Balance Quality and Vibration Levels for Fans" to Fan Application Category BV-3, Balance Quality Grade G6.3. Balance readings shall be taken by electronic type equipment in the axial, vertical, and horizontal directions on each of the bearings. Records shall be maintained and a written copy shall be available upon request.

GUARANTEE — The manufacturer shall guarantee the workmanship and materials for its SCBD Square Inline Fans for at least one (1) year from startup or eighteen (18) months from ship date, whichever occurs first.

**PROPELLER FANS | TUBEAXIAL & VANEAXIAL FANS | CENTRIFUGAL FANS & BLOWERS | ROOF VENTILATORS
AIR HEATERS & COOLERS | AIR MAKE-UP | FIBERGLASS FANS | CUSTOM FANS**



AEROVENT 
INDUSTRIAL VENTILATION SYSTEMS

AEROVENT.COM

5959 Trenton Lane N | Minneapolis, MN 55442 | Phone: 763-551-7500 | Fax: 763-551-7501