

MODEL EA-32

Miami-Dade HVHZ Louver • 6" Deep • 35° Drainable Blades • Stationary • Extruded Aluminum

Standard Materials and Construction

FRAME: .125" thick (nominal) extruded aluminum, 6063-T52/T6 alloy. Channel frame. Welded construction.

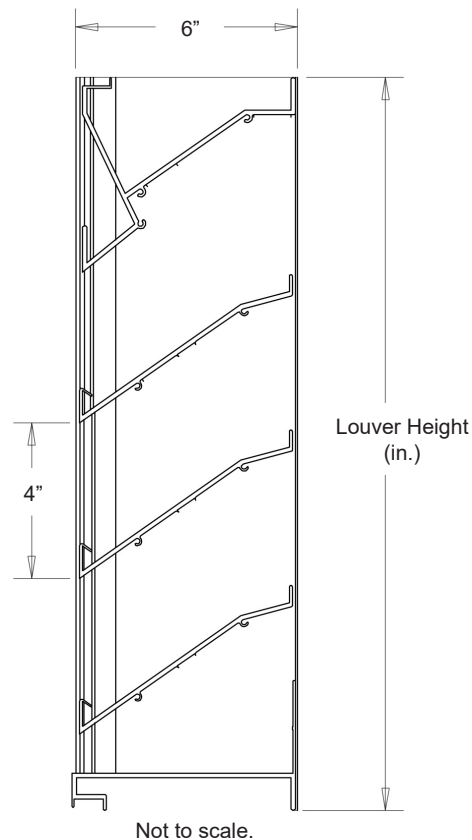
BLADE: .125" thick (nominal) extruded aluminum, 6063-T52/T6 alloy. Blades approximately 4" on centers.

LOUVER FACE: Full width sill with head and blades contained within jambs. Welded construction.

SCREEN: (In a removable frame.) ½" expanded aluminum bird screen, located on interior.

FINISH: Mill

Withstands pressures up to 150± PSF.



Test Methods

Passed the following Miami-Dade County Florida Test Protocols:

- TAS (PA) 201
- TAS (PA) 202
- TAS (PA) 203

Options

Finish - Baked Enamel, Kynar, Anodize

Extended Sill

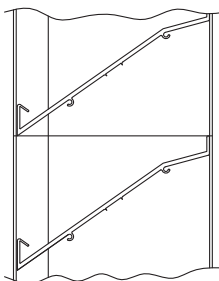
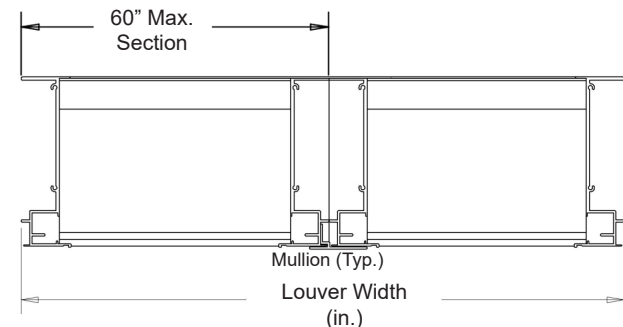
Architectural Mullion

Notes

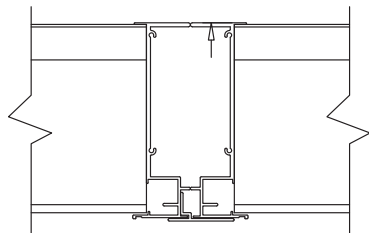
1. Nominal deductions will be made to the opening size given.
2. Panels over 30" wide have a 2" x 2" x ¼" vertical interior blade support angle at the approximate center of the panel.
3. Approximate shipping weight is 6.0 lbs./sq.ft.

Louver Sizes

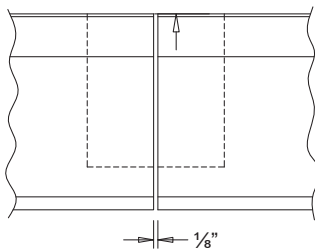
Min Panel	Max Single Panel
12"W x 12"H	60"W x 96"H



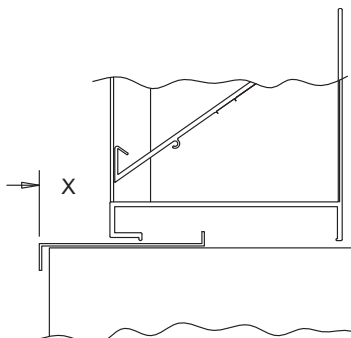
Standard Horizontal Mullion



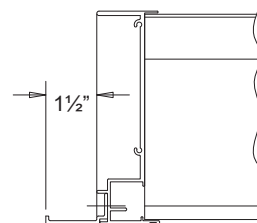
Standard Vertical Mullion



Architectural Vertical Mullion (Optional)



Extended Sill Option



Flanged Frame Option (Jamb Shown)

Item #	Qty	Width	Height	Width	Height	Mullion	Type	Location	Union Made
		Opening Size		Louver Size			Screens		
Arch. / Eng.:						EDR:	ECN:	Job:	
Contractor:						Date:	DWN:	DWG:	
Project:									



Visit our Miami-Dade Listing Page for the latest NOA information:
<https://goo.gl/DJ5UtM>

In the interest of product development, Arrow United reserves the right to make changes without notice.
 450 Riverside Dr • Wyalusing PA, 18853 • Phone 570-746-1888 • Fax 570-746-9286
 AUI-09-01-02

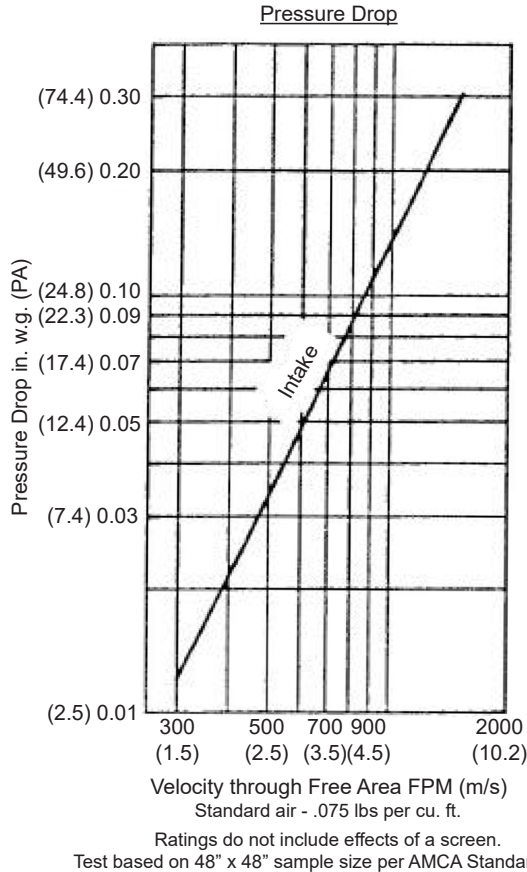
MODEL EA-32

Miami-Dade HVHZ Louver • 6" Deep • 35° Drainable Blades • Stationary • Extruded Aluminum

Performance Data

Pressure Drop: .21 in. w.g. (52.1 Pa) at 1250 fpm (6.35 m/s) and 11,550 SCFM (5.45 scm/s)
 Free Area: 9.24 sq.ft. (0.858 sq.m.) = 58% for 48"W x 48"H (1.22m x 1.22m) test size
 Beginning Point of Water Penetration: Above 1250 fpm (6.35 m/s)

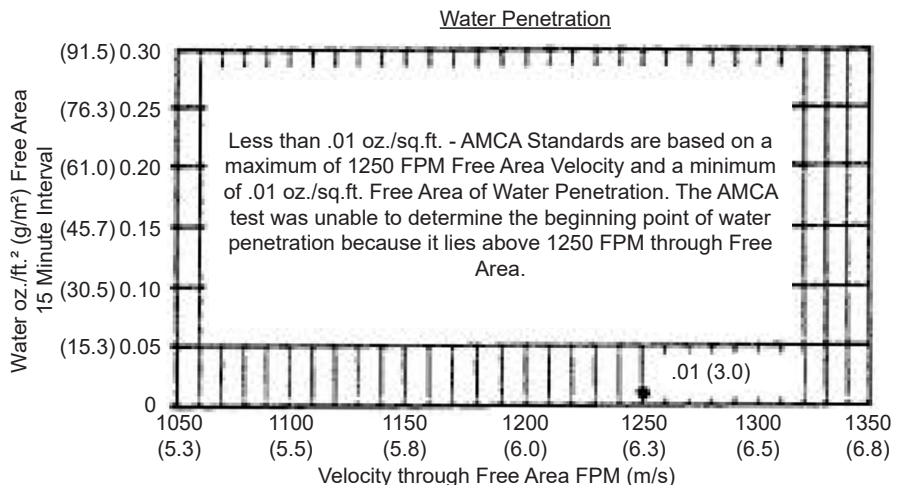
Ratings do not include effects of a screen.



Height in. (mm)	Free Area sq.ft. (sq.m.)								
	Width in. (mm)								
	12" (305)	18" (457)	24" (609)	30" (752)	36" (914)	42" (1066)	48" (1219)	54" (1371)	60" (1524)
12" (305)	0.18 (0.02)	0.30 (0.03)	0.43 (0.04)	0.56 (0.05)	0.65 (0.06)	0.81 (0.08)	0.94 (0.09)	1.04 (0.10)	1.18 (0.11)
18" (457)	0.46 (0.04)	0.80 (0.07)	1.13 (0.11)	1.47 (0.14)	1.81 (0.17)	2.14 (0.20)	2.48 (0.23)	2.73 (0.25)	3.07 (0.28)
24" (609)	0.69 (0.06)	1.18 (0.11)	1.70 (0.16)	2.20 (0.20)	2.70 (0.25)	3.20 (0.30)	3.71 (0.34)	4.08 (0.38)	4.63 (0.43)
30" (752)	0.98 (0.09)	1.68 (0.16)	2.40 (0.22)	3.11 (0.29)	3.82 (0.35)	4.63 (0.42)	5.27 (0.49)	5.81 (0.54)	6.46 (0.60)
36" (914)	1.21 (0.11)	2.08 (0.19)	2.96 (0.28)	3.84 (0.36)	4.72 (0.44)	5.59 (0.52)	6.47 (0.60)	7.13 (0.66)	8.01 (0.74)
42" (1066)	1.49 (0.14)	2.58 (0.24)	3.66 (0.34)	4.75 (0.44)	5.84 (0.54)	6.32 (0.64)	8.01 (0.74)	8.82 (0.87)	9.91 (0.92)
48" (1219)	1.72 (0.16)	2.97 (0.28)	4.23 (0.39)	5.48 (0.51)	6.73 (0.63)	7.99 (0.74)	9.24 (0.88)	10.18 (0.95)	11.43 (1.06)
54" (1371)	2.01 (0.19)	3.47 (0.32)	4.93 (0.46)	6.38 (0.59)	7.86 (0.73)	9.31 (0.87)	10.77 (1.00)	11.87 (1.10)	13.33 (1.24)
60" (1524)	2.24 (0.19)	3.97 (0.35)	5.49 (0.51)	7.12 (0.66)	8.75 (0.81)	10.38 (0.96)	12.00 (1.12)	13.22 (1.23)	14.86 (1.38)
66" (1676)	2.52 (0.33)	4.36 (0.41)	6.20 (0.58)	8.00 (0.75)	9.87 (0.92)	11.70 (1.09)	13.64 (1.26)	14.32 (1.39)	16.76 (1.56)
72" (1828)	2.78 (0.26)	4.76 (0.44)	6.76 (0.63)	8.76 (0.81)	10.76 (1.00)	12.77 (1.19)	14.77 (1.37)	16.27 (1.51)	18.27 (1.70)
78" (1981)	3.04 (0.28)	5.26 (0.49)	7.46 (0.69)	9.67 (0.90)	11.88 (1.10)	14.09 (1.31)	16.31 (1.51)	17.36 (1.67)	20.17 (1.87)
84" (2133)	3.27 (0.30)	5.45 (0.52)	8.02 (0.75)	10.40 (0.97)	12.78 (1.19)	15.18 (1.41)	17.53 (1.63)	19.32 (1.79)	21.70 (2.02)
90" (2286)	3.56 (0.33)	6.14 (0.57)	8.73 (0.81)	11.31 (1.05)	13.30 (1.29)	16.49 (1.53)	19.07 (1.77)	21.01 (1.95)	23.60 (2.19)
96" (2438)	3.78 (0.35)	6.54 (0.61)	9.23 (0.86)	12.04 (1.12)	14.80 (1.37)	17.55 (1.63)	20.30 (1.89)	22.36 (2.08)	25.12 (2.33)



Arrow United Industries certifies that the Model EA-32 shown herein is licensed to bear the AMCA seal. The ratings shown are based on tests and procedures performed in accordance with AMCA Publication 511 and comply with the requirements of the AMCA Certified Ratings Program. The AMCA Certified Ratings Seal applies to Water Penetration and Air Performance Ratings only.



Both maximum recommended free area velocity and beginning point of water penetration are 1250 FPM at standard air -.075 lbs. per cu. ft.

Water penetration data is based on mill finish, 48" x 48" test size per AMCA Standard 511.

Visit our Miami-Dade Listing Page for the latest NOA information:
<https://goo.gl/DJ5U+M>

450 Riverside Dr • Wyalusing PA, 18853 • Phone 570-746-1888 • Fax 570-746-9286

AUI-09-01-02

