

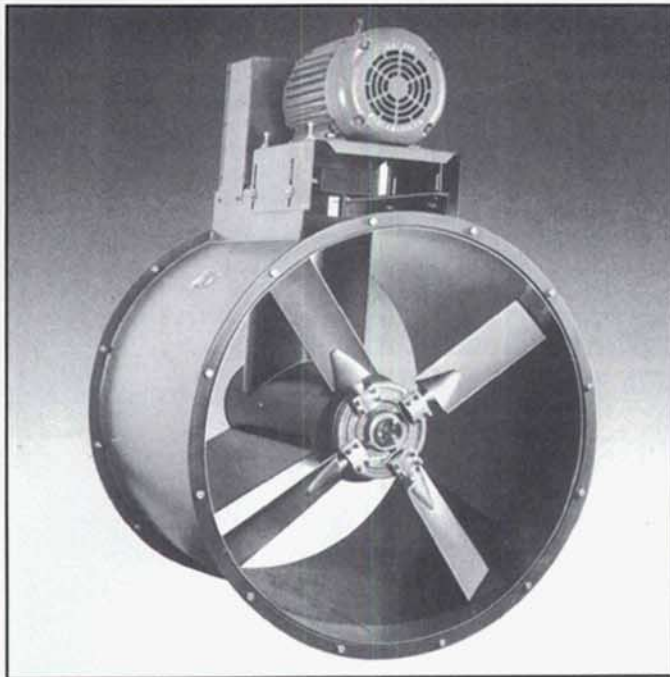
Type TEBC Duct Fans



AMERICAN
Coolair

Type TEBC

Belt Drive 2600 CFM to 52,000 CFM to 1-1/4" Static Pressure



Application

TEBC duct fans are designed to operate reliably in all environments including elevated temperature or contaminated air.

Features

The motor, belt(s) and bearings are isolated from the air stream.

The steel fan shaft is supported by two pillow-block ball bearings that are mounted in an enclosed housing to provide years of trouble free service under harsh conditions.

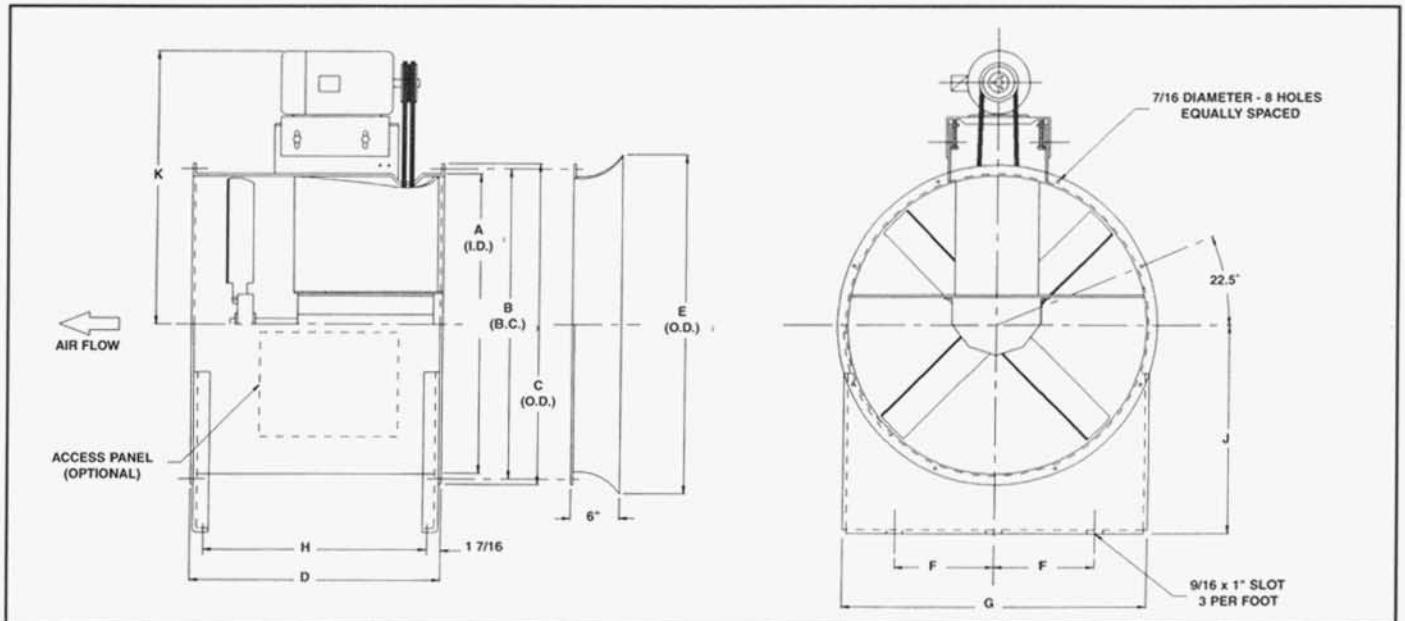
TEBC models have 4 or 6 high strength cast aluminum airfoil blades that are securely attached to a heavy cast aluminum hub. Blade pitch is set for catalog performance. The blade pitch should not be adjusted without first contacting your American Coolair representative.

TEBC models incorporate specifically engineered airfoil sections and hub sizes for optimum efficiency and physical strength.

Fan speed reduction is conveniently available on most models by use of variable pitch motor pulley.

If an increase in fan speed is desired, contact your American Coolair representative for information on fan speed and motor load prior to making any adjustments.

The model TEBC duct fan is recommended for use with ambient temperatures up to 250°F.



Fan Size	DIMENSIONS IN INCHES									
	A	B	C	D	E	F	G	H	J	K
18	18	19 5/8	20 13/16	21 1/8	NA	7	20 1/16	18 1/4	15	22 1/4
24	25 1/2	27 1/8	28 5/16	21 1/8	30 1/4	9	27 3/16	18 1/4	18 3/4	28 3/4
30	31 3/16	32 7/8	34 1/16	21 1/8	36 1/4	12	32 11/16	18 1/4	21 5/8	31 3/4
36	37 1/4	38 15/16	40 1/8	31 1/8	42 1/4	16	38 7/8	28 1/4	26 5/8	35 1/4
42	43 1/4	44 15/16	46 1/8	31 1/8	48 1/2	18	44 1/2	28 1/4	29 5/8	39 3/4
48	49 1/4	50 15/16	52 1/8	31 1/8	54 5/8	19	49 7/8	28 1/4	32 5/8	42 3/4
54	55 1/4	56 15/16	58 1/8	31 1/8	59 1/2	22	55 1/2	28 1/4	36 1/8	45 1/2
60	61 3/8	63 1/16	64 1/4	31 1/8	65 5/8	25	61 5/8	28 1/4	39 5/8	48 1/2

Drawing of belt and drive are schematic. Single belts are used on certain sizes.



Performance Ratings

American Coolair Corporation certifies that the type TEBC units shown herein are licensed to bear the AMCA Seal. The ratings shown are based on

tests and procedures performed in accordance with AMCA Publication 211 and AMCA Publication 311 and comply with the requirements of the AMCA Certified Ratings Program.

Typical Specifications

Duct fans shall be American Coolair belt drive type TEBC manufactured by American Coolair Corporation, Jacksonville, Florida; specific models shall be as shown on the fan schedule. Fan housing shall be of heavy gauge steel. Ball bearings shall be of heavy duty pillow-block type. Fans shall be licensed to bear the AMCA Certified Ratings Seal for air and sound performance. (Specify CFM and static pressure, motor enclosure, phase and voltage, and accessories such as inlet bell with guard, mounting feet, and safety disconnect switch.)

Fan Size	Fan Housing Gauge	Access Panel (Optional)	Outlet Area (Sq. Feet)
18	14	8x10	1.77
24	14	10x10	3.55
30	14	10x10	5.31
36	12	12x15	7.57
42	12	16x18	10.20
48	12	16x18	13.23
54	12	16x18	16.65
60	12	16x18	20.55

Item No.	Cubic Feet Per Minute (CFM) at Static Pressure ¹									Fan Model	Fan Size	Motor HP	Fan RPM	Sones ³	Brake ⁴ HP	Blade No.	Descr Pitch	Approx Ship Wt.
	0.000	0.125	0.250	0.375	0.500	0.625	0.750	1.000	1.250									
1	2918	2587								TEBC18H		1/3	1253	16.9	0.312	4	30°	120
2	3463	3209	2859							TEBC18J		1/2	1487	24	0.479	4	30°	120
3	3977	3772	3484	3150						TEBC18K	18	3/4	1708	31	0.695	4	30°	125
4	4501	4327	4091	3825						TEBC18L		1	1933	36	0.971	4	30°	130
5	5198	5052	4871	4648	4416	4154				TEBC18M		1 1/2	2232	45	1.444	4	30°	135
6	7738	7398	6753	6088						TEBC24L		1	1198	28	0.932	4	25°	220
7	9056	8795	8322	7768	7198	6398				TEBC24M		1 1/2	1402	38	1.469	4	25°	225
8	9934	9706	9346	8812	8336	7779	7032			TEBC24N	24	2	1538	44	1.923	4	25°	230
9	11277	11084	10824	10415	9946	9530	9071			TEBC24P		3	1746	53	2.767	4	25°	245
10	11760	11070	10316	9568	8686	6956				TEBC30M		1 1/2	1150	36	1.461	4	18°	265
11	12700	12067	11375	10680	9968	8990	7087			TEBC30N		2	1242	41	1.832	4	18°	270
12	14643	14101	13517	12907	12306	11698	10991	8114		TEBC30P	30	3	1432	54	2.767	4	18°	285
13	17476	17026	16553	16054	15543	15037	14535	13469	11810	TEBC30Q		5	1709	77	4.665	4	18°	300
14	16906	15925	14856	13648	12488	10595				TEBC36N		2	1063	37	1.957	4	15°	400
15	19053	18190	17273	16255	15191	14166	12698			TEBC36P	36	3	1198	47	2.804	4	15°	415
16	22727	22009	21262	20480	19634	18716	17863	15928	12005	TEBC36Q		5	1429	68	4.725	4	15°	430
17	22737	21407	20112	18659	16775	13980				TEBC42P		3	820	35	2.881	6	15°	545
18	26813	25679	24578	23469	22238	20762	18915			TEBC42Q		5	967	47	4.684	6	15°	560
19	31028	30044	29082	28138	27175	26137	24955	21951	16844	TEBC42R	42	7 1/2	1119	62	7.221	6	15°	600
20	34189	33294	32416	31554	30697	29815	28870	26638	23701	TEBC42S		10	1233	76	9.623	6	15°	610
21	26449	24532	22615	20536	17634	13398				TEBC48P		3	718	33	2.910	6	12°	575
22	31533	29904	28355	26686	24951	22965	19989			TEBC48Q		5	856	44	4.924	6	12°	590
23	36174	34744	33378	32020	30535	29022	27450	22632		TEBC48R	48	7 1/2	982	58	7.389	6	12°	635
24	39821	38517	37261	36041	34772	33400	32028	28952	24107	TEBC48S		10	1081	72	9.850	6	12°	645
25	29630	26935	24412	21481	17703					TEBC54P		3	626	35	2.886	6	10°	1015
26	35404	33114	30971	28858	26454	23590	19782			TEBC54Q		5	748	48	4.897	6	10°	1040
27	40752	38745	36845	35012	33170	31137	28735	22534		TEBC54R	54	7 1/2	861	63	7.432	6	10°	1075
28	42577	41075	39601	38157	36749	35342	33774	29801	25799	TEBC54S		10	1073	94	9.955	6	5°	1085
29	37228	33210	29329	23490						TEBC60P		3	526	35	2.913	6	10°	1045
30	44376	41030	37879	34270	29393	22797				TEBC60Q		5	627	47	4.918	6	10°	1070
31	48010	45426	43337	41264	38607	35836	33016	26033		TEBC60R	60	7 1/2	866	74	7.757	6	5°	1105
32	52112	49686	47694	45854	43735	41148	38626	33126		TEBC60S		10	940	87	9.919	6	5°	1115

- 1.—Performance shown is for Installation Type B: free inlet, ducted outlet. Performance ratings do not include the effects of appurtenances in the airstream.
- 2.—The first set of letters of the model number identify the **type, drive configuration, and style**. The next two numbers indicate the **fan size**; the next letter identifies the motor **horsepower**.
- 3.—Some ratings apply to non-ducted application of fan. The sound ratings shown are loudness values in fan sones at 5 ft. (1.5m) in a hemispherical free field calculated per AMCA Standard 301. Values shown are for Installation Type B: free inlet fan sone levels. The sound ratings shown are at 0" static pressure.
- 4.—Maximum brake horsepower (BHP) within the catalog performance range. BHP at most static pressures listed is less than that shown, in some cases substantially less. For specific BHP values at individual static pressure points, contact your American Coolair representative. Power ratings (BHP) does not include drive losses. Bearing losses are included.

ALL SPECIFICATIONS SUBJECT TO CHANGE WITHOUT NOTICE

Accessories

MOUNTING FEET: When necessary to support the fan weight from floor or ceiling, mounting feet should be specified.

Applications which involve wall mounting should be referred to your American Coolair representative for recommended fan mounts. Type of support to which fan will be mounted and location relative to motor (or access panel) should be clearly stated.

SPARK RESISTANT CONSTRUCTION: For hazardous locations, any type TEBC fan can be ordered with an explosion-proof motor. Motors only qualify for Class I Group D and Class II Groups F & G hazards.

PROTECTIVE COATINGS: For most applications the American Coolair powder coating system will provide the necessary surface protection for painted parts. This system includes a thermosetting epoxy powder coating to a thickness of 3 mils and baked at 400°F for hardness, impact resistance, adhesion and chemical resistance.

For applications that require more specialized surface protection, American Coolair offers alternatives; 6 mil epoxy and others. For more information about special protective coatings contact your American Coolair representative.

SAFETY DISCONNECT SWITCH: This switch can be mounted near the fan and serve as a safety disconnect from the power supply.

COMPANION ANGLE: It is identical to the fan flange and may be welded to the adjoining duct to simplify fan installation.

	WARNING	CAUTION
	DO NOT INSTALL FAN WITH MOVING PARTS WITHIN 8 FEET OF FLOOR OR FLOOR GRADE LEVEL WITHOUT A GUARD THAT COMPLIES WITH OSHA REGULATIONS. DO NOT USE UNLESS ELECTRICAL WIRING COMPLIES WITH ALL APPLICABLE CODES. DO NOT WIRE WITHOUT PROVIDING FOR POWER DISCONNECT AT THE FAN ITSELF. DO NOT SERVICE EXCEPT BY A QUALIFIED MAINTENANCE TECHNICIAN AND ONLY AFTER DISCONNECTING THE POWER SOURCE. FAILURE TO OBSERVE THESE PRECAUTIONS CAN RESULT IN SERIOUS INJURY OR DEATH.	

Limited Warranty

In the sale of its products, American Coolair agrees to correct, by repairs or replacement, any defects in workmanship or materials that may develop under normal use for the period of one year from the date of shipment from the factory. Any product or part proving, upon American Coolair's examination, to be defective during the limited warranty period will be replaced or repaired, at American Coolair's option, f.o.b. factory, without charge.

Deterioration or wear caused by chemicals, abrasive action or excessive heat shall not constitute a defect.

Motors are guaranteed only to the extent of the manufacturers warranty.

American Coolair's limited warranty does not apply to any of its products that have been subject to accidental damage, misuse by the user, unauthorized modifications, improper installation or electrical wiring, or lack of lubrication or other service requirements as established by American Coolair Corporation.

Repairs or replacements provided under the above terms shall constitute fulfillment of all American Coolair's obligations with respect to limited warranty.

THE LIMITED WARRANTY STATED HEREIN IS IN LIEU OF ALL OTHER WARRANTIES, EXPRESS, STATUTORY OR IMPLIED, INCLUDING WITHOUT LIMITATION THAT OF MERCHANTABILITY AND FITNESS FOR USE.

NO LIABILITY FOR REINSTALLATION COSTS OR FOR ANY SPECIAL, INDIRECT OR CONSEQUENTIAL DAMAGES OF ANY NATURE IS ASSUMED OR SHALL BE IMPOSED UPON AMERICAN COOLAIR CORPORATION.



REPRESENTED BY:

All specifications in this brochure are subject to change without notice.