

Wind-Driven Rain Louver Horizontal Blade

Application and Design

EHH-601 is a Wind-Driven Rain louver designed to protect air intake and exhaust openings in building exterior walls that are sensitive to direct water penetration. Design incorporates a drainable head member and horizontal rain resistant blades to provide maximum resistance to wind driven rain in even the most extreme weather conditions. The EHH-601 is an **AMCA CERTIFIED LOUVER** enabling designers to select and apply with confidence.

Standard Construction

Frame Heavy gauge extruded 6063-T5 aluminum, 6 in. x 0.081 in. nominal wall thickness

Blades Horizontal rain resistant style, heavy gauge extruded 6063-T5 aluminum, 0.081 in. nominal wall thickness, positioned on approximately 2 in. blade spacing

Construction . . . Mechanically fastened

Birdscreen 3/4 in. x 0.051 in. flattened expanded aluminum in removable frame, inside mount (rear)

Finish Mill

Sill Pan 0.063 formed aluminum

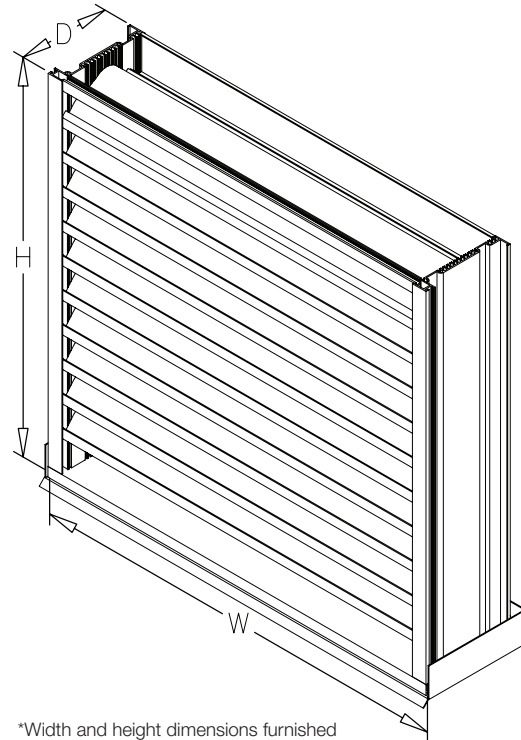
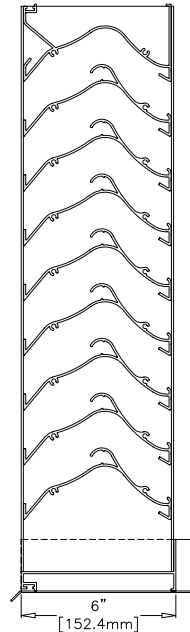
Minimum Size . . . 12 in. W x 7 in. H

Maximum Single

Section Size . . . 120 in. W or 120 in. H (limited to 70 ft. sq.)

Options (at additional cost)

- A variety of bird and insect screens
- Blank-off panel
- Clip angles
- Filter rack
- Flanged frame (*head and jamb only*)
- Security bars
- A variety of architectural finishes including:
 - Clear anodize
 - Integral color anodize
 - Baked enamel
 - Kynar




*Width and height dimensions furnished approximately 1/4 inch under size.

Wind-Driven Rain Performance

75 mm/h (3 in./hr) Rainfall & 13 m/s (29 mph) Wind Velocity						202 mm/h (8 in./hr) Rainfall & 22 m/s (50 mph) Wind Velocity					
Free Area Velocity		Ventilation Air Core Velocity		Water Penetration		Free Area Velocity		Ventilation Air Core Velocity		Water Penetration	
(fpm)	(m/s)	(fpm)	(m/s)	Class	Effective	(fpm)	(m/s)	(fpm)	(m/s)	Class	Effective
0	0	0	0			0	0	0	0		
179	0.9	98	0.5			179	0.9	98	1.0		
359	1.8	197	1.0			359	1.8	197	1.5		
538	2.7	295	1.5			538	2.7	295	2.0		
718	3.6	394	2.0			718	3.6	394	2.5		
897	4.6	492	2.5			864	4.4	474	2.4	A	99.5
1077	5.5	591	3.0			1033	5.2	567	2.9	A	99.6
1217	6.2	668	3.4	A	100.0	1232	6.3	676	3.4	A	99.2
1391	7.1	763	3.9	A	99.8	1394	7.1	765	3.9	B	98.5
1527	7.8	838	4.3	B	98.1	1567	8.0	860	4.4	B	95.6
1801	9.1	988	5.0	B	95.4	1744	8.9	957	4.9	C	88.7

Discharge Loss Coefficient Classifications	
Class	Discharge Loss Coefficient
1	0.4 and Above
2	0.3 to 0.399
3	0.2 to 0.299
4	0.199 and Below

Wind-driven Rain Penetration Classes	
Class	Effectiveness
A	1 to 0.99
B	0.989 to 0.95
C	0.949 to 0.80
D	Below 0.80

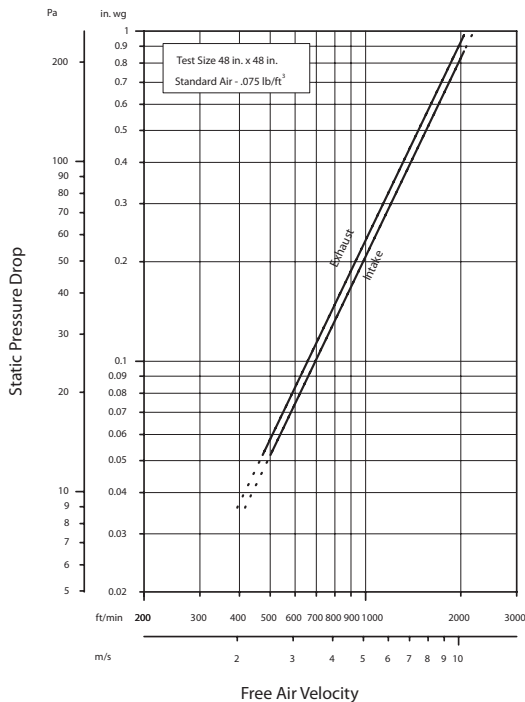


Greenheck Fan Corporation certifies that the EHH-601 louvers shown herein are licensed to bear the AMCA Seal. The ratings shown are based on tests and procedures performed in accordance with AMCA Publication 511 and comply with the requirements of the AMCA Certified Ratings Program. The AMCA Certified Ratings Seal applies to air performance, water penetration, and wind-driven rain ratings.

Discharge Loss Coefficient Class (Intake) = 2

Weather louvers shall be classified by their ability to reject simulated rain. The table shows different classifications based on the maximum simulated rain penetration per square meter (square feet) of louver. Water penetration rating at a given louver face velocity is determined by the water penetration while the louver is subjected to a selected simulated rainfall rate and wind velocity.

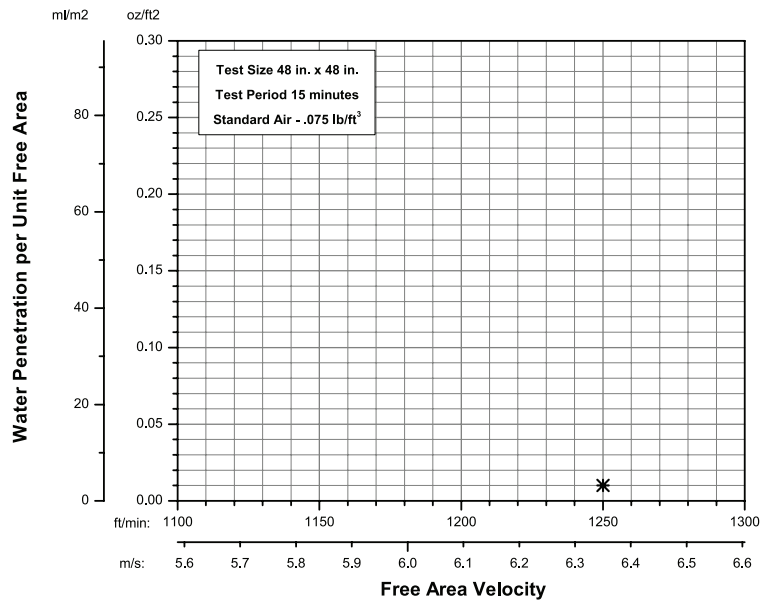
Airflow Resistance (Standard Air - .075 lb/ft³)



Model EHH-601 resistance to airflow (pressure drop) varies depending on louver application (air intake or air exhaust). Free area velocities (shown) are higher than average velocity through the overall louver size. See louver selection information.

Water Penetration

Test Size 48 in. x 48 in. Test Duration of 15 min



The AMCA Water Penetration Test provides a method for comparing various louver models and designs as to their efficiency in resisting the penetration of rainfall under specific laboratory test conditions. The beginning point of water penetration is defined as that velocity where the water penetration curve projects through 0.01 oz. of water (penetration) per sq. ft. of louver free area. ***The beginning point of water penetration for Model EHH-601 is above 1250 fpm free area velocity.** These performance ratings do not guarantee a louver to be weather-proof or stormproof and should be used in combination with other factors including good engineering judgement in selecting louvers.

PERFORMANCE DATA

EHH-601

Wind-Driven Rain Louver
Extruded Aluminum

Free Area Chart (sq. ft.)

Louver Height Inches	Louver Width in Inches																		
	12	18	24	30	36	42	48	54	60	66	72	78	84	90	96	102	108	114	120
7	0.07	0.12	0.17	0.21	0.26	0.31	0.36	0.39	0.44	0.48	0.53	0.58	0.63	0.67	0.72	0.75	0.80	0.85	0.89
12	0.23	0.38	0.53	0.67	0.82	0.97	1.12	1.23	1.37	1.52	1.67	1.82	1.96	2.11	2.26	2.37	2.51	2.66	2.81
18	0.47	0.77	1.07	1.36	1.66	1.96	2.26	2.48	2.78	3.08	3.37	3.67	3.97	4.27	4.56	4.79	5.09	5.38	5.68
24	0.71	1.16	1.61	2.05	2.50	2.95	3.40	3.74	4.18	4.63	5.08	5.53	5.98	6.42	6.87	7.21	7.66	8.11	8.55
30	0.95	1.55	2.15	2.74	3.34	3.94	4.54	4.99	5.59	6.19	6.79	7.38	7.98	8.58	9.18	9.63	10.23	10.83	11.43
36	1.11	1.81	2.50	3.20	3.90	4.60	5.30	5.83	6.52	7.22	7.92	8.62	9.32	10.02	10.72	11.24	11.94	12.64	13.34
42	1.35	2.19	3.04	3.89	4.74	5.59	6.44	7.08	7.93	8.78	9.63	10.48	11.33	12.18	13.03	13.66	14.51	15.36	16.21
48	1.58	2.58	3.58	4.58	5.58	6.58	7.58	8.33	9.33	10.33	11.33	12.33	13.33	14.33	15.33	16.08	17.08	18.08	19.08
54	1.82	2.97	4.12	5.27	6.42	7.57	8.72	9.59	10.74	11.89	13.04	14.19	15.34	16.49	17.64	18.50	19.66	20.81	21.96
60	2.06	3.36	4.66	5.96	7.26	8.57	9.87	10.84	12.14	13.44	14.75	16.05	17.35	18.65	19.95	20.93	22.23	23.53	24.83
66	2.30	3.75	5.20	6.65	8.10	9.56	11.01	12.10	13.55	15.00	16.45	17.90	19.35	20.81	22.26	23.35	24.80	26.25	27.70
72	2.46	4.01	5.56	7.11	8.66	10.22	11.77	12.93	14.48	16.04	17.59	19.14	20.69	22.24	23.80	24.96	26.51	28.06	29.61
78	2.70	4.40	6.10	7.80	9.50	11.21	12.91	14.19	15.89	17.59	19.29	21.00	22.70	24.40	26.10	27.38	29.08	30.78	32.49
84	2.93	4.79	6.64	8.49	10.35	12.20	14.05	15.44	17.29	19.15	21.00	22.85	24.71	26.56	28.41	29.80	31.65	33.51	35.36
90	3.17	5.18	7.18	9.18	11.19	13.19	15.19	16.69	18.70	20.70	22.70	24.71	26.71	28.72	30.72	32.22	34.22	36.23	38.23
96	3.41	5.56	7.72	9.87	12.03	14.18	16.33	17.95	20.10	22.26	24.41	26.56	28.72	30.87	33.03	34.64	36.80	38.95	41.10
102	3.65	5.95	8.26	10.56	12.87	15.17	17.47	19.20	21.51	23.81	26.12	28.42	30.73	33.03	35.33	37.06	39.37	41.67	43.98
108	3.81	6.21	8.62	11.02	13.43	15.83	18.24	20.04	22.44	24.85	27.25	29.66	32.06	34.47	36.87	38.68	41.08	43.49	45.89
114	4.05	6.60	9.16	11.71	14.27	16.82	19.38	21.29	23.85	26.40	28.96	31.51	34.07	36.62	39.18	41.10	43.65	46.21	48.76
120	4.28	6.99	9.70	12.40	15.11	17.81	20.52	22.55	25.25	27.96	30.66	33.37	36.08	38.78	41.49	43.52	46.22	48.93	51.63

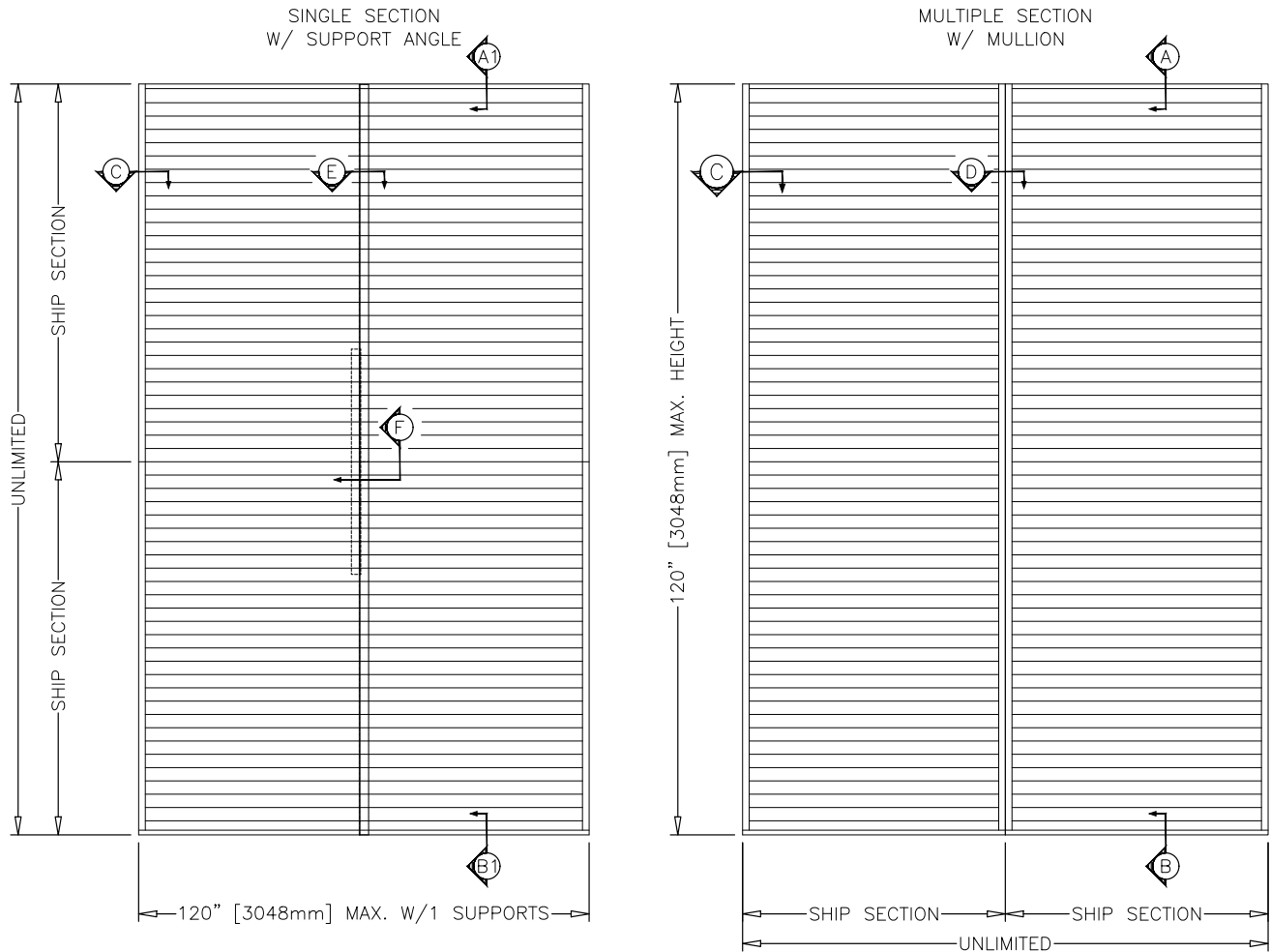
Core Area Chart (sq. ft.)

Louver Height Inches	Louver Width in Inches																		
	12	18	24	30	36	42	48	54	60	66	72	78	84	90	96	102	108	114	120
7	0.20	0.32	0.45	0.57	0.70	0.82	0.95	1.07	1.20	1.32	1.45	1.57	1.70	1.82	1.95	2.07	2.20	2.32	2.45
12	0.53	0.86	1.19	1.53	1.86	2.19	2.53	2.86	3.19	3.53	3.86	4.19	4.53	4.86	5.19	5.53	5.86	6.19	6.53
18	0.92	1.51	2.09	2.67	3.26	3.84	4.42	5.01	5.59	6.17	6.76	7.34	7.92	8.51	9.09	9.67	10.26	10.84	11.42
24	1.32	2.15	2.99	3.82	4.65	5.49	6.32	7.15	7.99	8.82	9.65	10.49	11.32	12.15	12.99	13.82	14.65	15.49	16.32
30	1.72	2.80	3.88	4.97	6.05	7.13	8.22	9.30	10.38	11.47	12.55	13.63	14.72	15.80	16.88	17.97	19.05	20.13	21.22
36	2.11	3.44	4.78	6.11	7.44	8.78	10.11	11.44	12.78	14.11	15.44	16.78	18.11	19.44	20.78	22.11	23.44	24.78	26.11
42	2.51	4.09	5.67	7.26	8.84	10.42	12.01	13.59	15.17	16.76	18.34	19.92	21.51	23.09	24.67	26.26	27.84	29.42	31.01
48	2.90	4.74	6.57	8.40	10.24	12.07	13.90	15.74	17.57	19.40	21.24	23.07	24.90	26.74	28.57	30.40	32.24	34.07	35.90
54	3.30	5.38	7.47	9.55	11.63	13.72	15.80	17.88	19.97	22.05	24.13	26.22	28.30	30.38	32.47	34.55	36.63	38.72	40.80
60	3.69	6.03	8.36	10.69	13.03	15.36	17.69	20.03	22.36	24.69	27.03	29.36	31.69	34.03	36.36	38.69	41.03	43.36	45.69
66	4.09	6.67	9.26	11.84	14.42	17.01	19.59	22.17	24.76	27.34	29.92	32.51	35.09	37.67	40.26	42.84	45.42	48.01	50.59
72	4.49	7.32	10.15	12.99	15.82	18.65	21.49	24.32	27.15	29.99	32.82	35.65	38.49	41.32	44.15	46.99	49.82	52.65	55.49
78	4.88	7.97	11.05	14.13	17.22	20.30	23.38	26.47	29.55	32.63	35.72	38.80	41.88	44.97	48.05	51.13	54.22	57.30	60.38
84	5.28	8.61	11.94	15.28	18.61	21.94	25.28	28.61	31.94	35.28	38.61	41.94	45.28	48.61	51.94	55.28	58.61	61.94	65.28
90	5.67	9.26	12.84	16.42	20.01	23.59	27.17	30.76	34.34	37.92	41.51	45.09	48.67	52.26	55.84	59.42	63.01	66.59	70.17
96	6.07	9.90	13.74	17.57	21.40	25.24	29.07	32.90	36.74	40.57	44.40	48.24	52.07	55.90	59.74	63.57	67.40	71.24	75.07
102	6.47	10.55	14.63	18.72	22.80	26.88	30.97	35.05	39.13	43.22	47.30	51.38	55.47	59.55	63.63	67.72	71.80	75.88	79.97
108	6.86	11.19	15.53	19.86	24.19	28.53	32.86	37.19	41.53	45.86	50.19	54.53	58.86	63.19	67.53	71.86	76.19	80.53	84.86
114	7.26	11.84	16.42	21.01	25.59	30.17	34.76	39.34	43.92	48.51	53.09	57.67	62.26	66.84	71.42	76.01	80.59	85.17	89.76
120	7.65	12.49	17.32	22.15	26.99	31.82	36.65	41.49	46.32	51.15	55.99	60.82	65.65	70.49	75.32	80.15	84.99	89.82	94.65



Maximum Size and Installation Information

Maximum single section size for model EHH-601 is 120 in. W x 84 in. H or 84 in. W x 120 in. H (70 sq. ft). Larger openings require field assembly of multiple louver sections to make up the overall opening size. Individual louver sections are designed to withstand a 25 PSF wind load (please consult Greenheck if the louvers must withstand higher wind-loads). Structural reinforcing members may be required to adequately support and install multiple louver sections within a large opening. Structural reinforcing members along with any associated installation hardware is not provided by Greenheck unless indicated otherwise by Greenheck. Options and accessories including, but not limited to, screens, filter racks, louver doors, and blank off panels are not subject to structural analysis unless indicated otherwise by Greenheck. Additional information on louver installation may be found in AMCA Publication #501, Louver Application Manual.



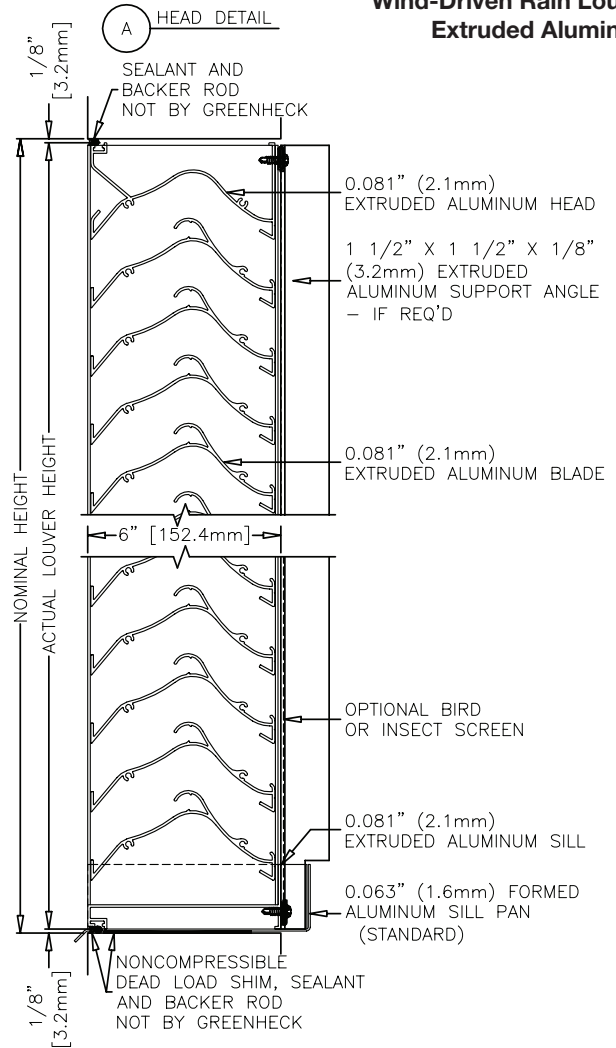
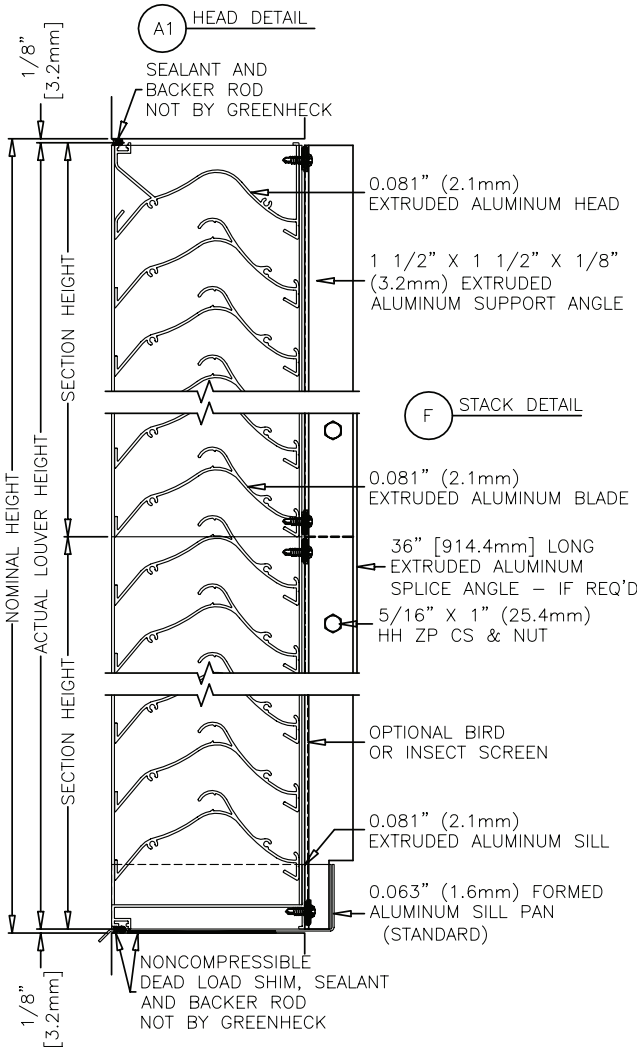
Minimum Single Section Size
12 in. W x 7 in. H

Maximum Single Section Size
70 ft. sq.

PRODUCT DETAILS

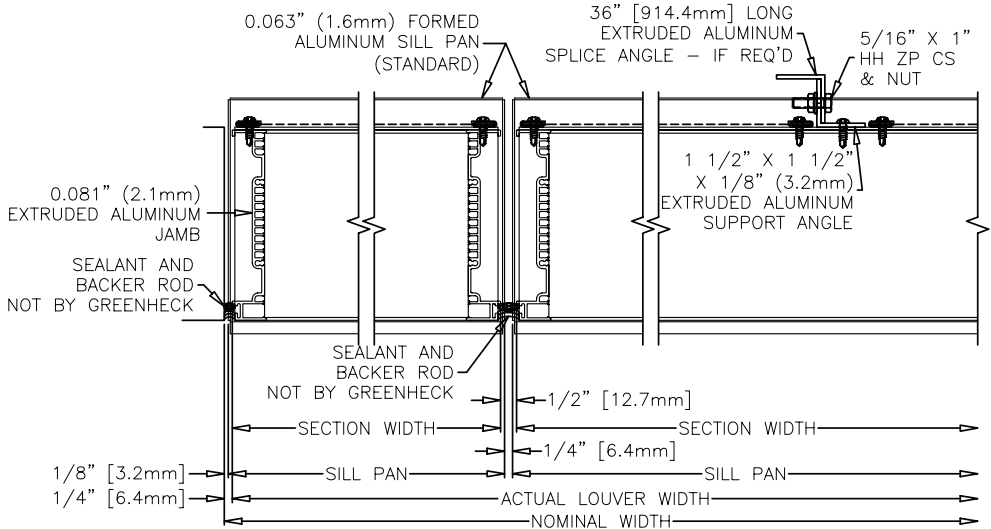
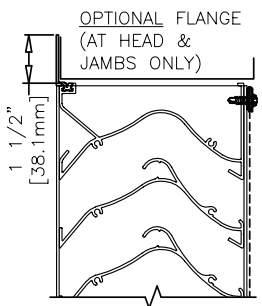
EHH-601

Wind-Driven Rain Louver Extruded Aluminum



B1 SILL DETAIL

B SILL DETAIL



C JAMB DETAIL

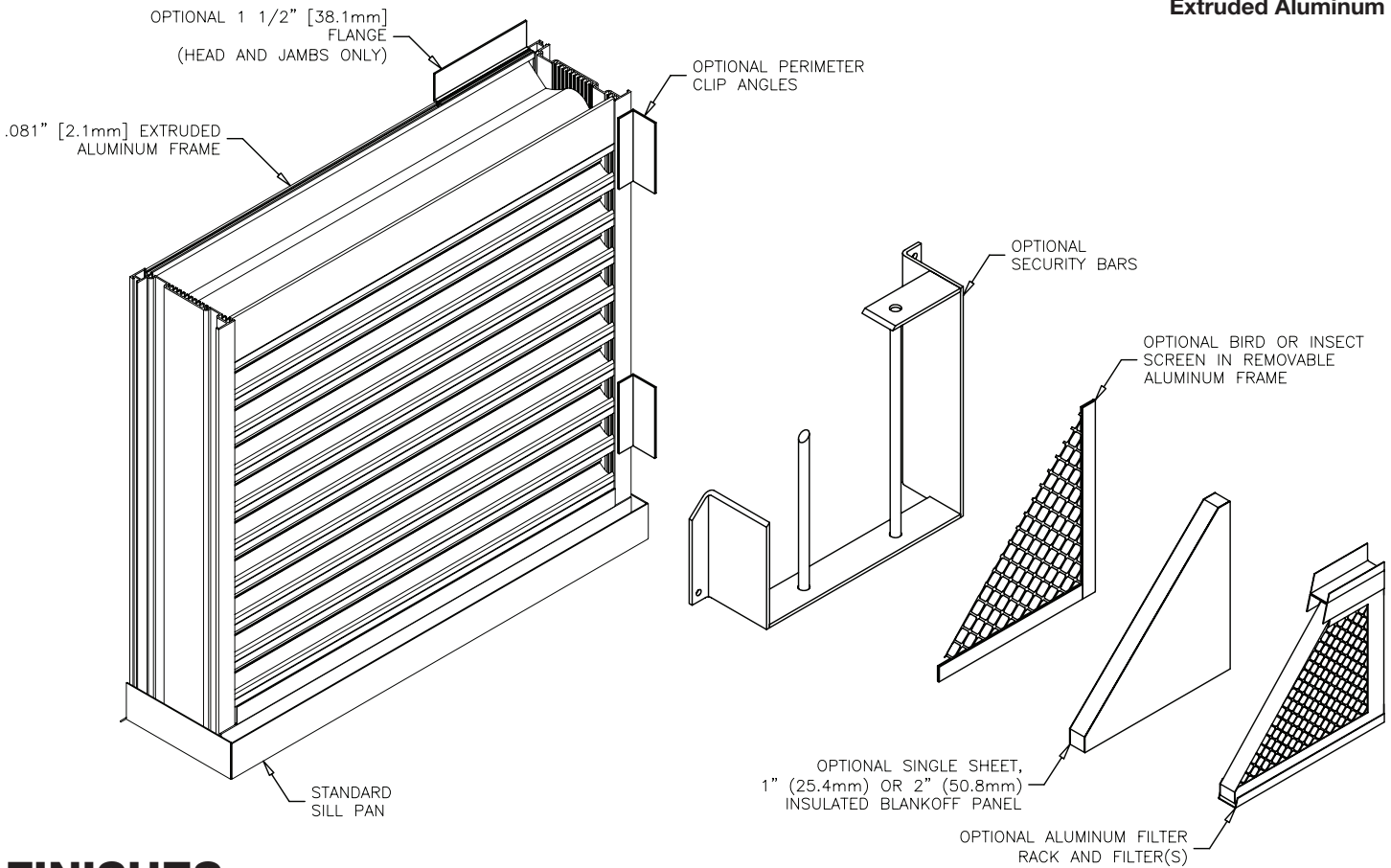
D MULLION DETAIL

E SUPPORT DETAIL

OPTION DRAWINGS

EHH-601

Wind-Driven Rain Louver
Extruded Aluminum



FINISHES

Finish Type	Description/Application	Color Selection	Standard Warranty (Aluminum)
AAMA 2605 100% Fluoropolymer (FEVE) 2-Coat 70% Kynar® (PVDF) 3-Coat 70% Kynar® (PVDF) 4-Coat 70% Kynar® (PVDF)	"Best." The premier finish for extruded aluminum. Tough, long-lasting coating has superior color retention and abrasive properties. Resists chalking, fading, chemical abrasion and weathering.	Standard Colors: Any of the 27 standard colors shown can be furnished in 70% or 50% Kynar®, 100% Fluoropolymer or Baked Enamel.	10 Years (20 Years Optional)
AAMA 2604 50% Kynar® / Acroflur®	"Better." Tough, long-lasting coating has excellent color retention and abrasive properties. Resists chalking, fading, chemical abrasion and weathering.	Mica Colors: Greenheck offers 6 standard Mica colors for 70% Kynar® or 100% Fluoropolymer.	5 Years
AAMA 2603 Baked Enamel	"Good." Provides good adhesion and resistance to weathering, corrosion and chemical stain.	Custom Colors: Custom color matching is available. Consult your Greenheck representative for cost and/or lead-time implications if a custom color is required.	1 Year
AA-M10C22A42 Integral Color Anodize	"Two-step" anodizing is produced by following the normal anodizing step with a second, colorfast process.	Light, Medium, Dark or Extra Dark Bronze; Champagne; Black	5 years
AA-M10C22A41 Clear Anodize 215 R-1	Clear, colorless and hard oxide aluminum coating that resists weathering and chemical attack.	Clear	5 years
AA-M10C22A31 Clear Anodize 204	Clear, colorless and hard oxide aluminum coating that resists weathering and chemical attack.	Clear	1 Year
Prime Coat	Louvers or architectural products shall be cleaned, pre-treated and receive a prime coat finish suitable for field painting. Greenheck does not recommend prime coat or field painting of materials.		n/a
Mill	Materials may be supplied in natural aluminum or galvanized steel finish when normal weathering is acceptable and there is no concern for color or color change.		n/a

Finishes meet or exceed AAMA 2605, AAMA 2604, and AAMA 2603 requirements. Please consult www.greenheck.com for complete information on standard and extended paint warranties. Paint finish warranties are not applicable to steel products.



EHH-601
February 2020

Copyright © 2020 Greenheck Fan Corporation

Greenheck Fan Corporation reserves the right to make product changes without notice.