



Ceiling and Cabinet Inline Fans

Saudi Silent Fan

Type: SSF Series



Saudi Fan Industries

2nd Industrial City, Dammam, Saudi Arabia

www.refhouse.com

Tel: 8121866, Fax: 8121894



Saudi Fan Industries

Management Commitment To Quality

We are continuously striving to provide higher quality products and services to achieve total customer satisfaction by understanding their requirements and anticipating their future expectations or needs.

We are committed to development and strengthening of partnership with our external and internal customers and suppliers.

We are dedicated to the continual improvement of all products and services through involvement of all employees.

We value all people by understanding and drawing upon their strengths i.e. abilities and knowledge and make efforts for their training and development.

President

Ali Saleh Al-Khalaf



Saudi Fan Industries was established In 1999 as another manufacturing division of steadily growing organization “**Refrigeration House group**” in order to fulfill requirements of local market for air movement and control equipments.

As a member of Refrigeration House Group , that has market research for ventilation equipments spread over 25 years, Saudi Fan industries now has grown into a full swing manufacturing unit to satisfy the demanding needs of air movement and control equipments for modern residential , commercial and industrial zones .

Since its establishment, Saudi Fan Industries has acquired modern manufacturing technology in order to achieve “**TotalCustomer Satisfaction**”. Not only still it has been investing significant resources in latest technology but also has created a medium where everyone in the organization can contribute. We have a stringent policy of research,development and making awareness of technology throughout the organization. **Saudi Fan Industries has been implemented Quality Assurance Management System as per EN ISO 9001:2015 Standard.** As a result, Saudi Fan Industries products are manufactured precisely and consistently through all production stages under strict quality control procedures.

Saudi Fan Industries strictly acting on the policy of “**The high quality product should be delivered to our valued customers right from the beginning**” .

Now Saudi Fan Industries is not only the leading supplier of air movement and control equipment in Kingdom but also a famous name in entire gulf. It offers wide range of fans and ventilator products for residential,commercial, institutional and industrial buildings in applications from comfort ventilation to manufacturing processes.

Products are available for exhaust,supply,re-circulate, filtered process and gravity applications. Fans are available in either direct drive or belt drive.

Saudi Fan Industries has significant production capacity in order to fulfill markets demand. It also has a pool of qualified staff,who are fully dedicated to give best advice to our valued customers inquiries .



Saudi Fan Industries Certifies Models shown herein are Licenced to bear the AMCA Sound and Air Performance seals.The ratings shown are based on tests and procedures performed in accordance with AMCA publication 211 , AMCA publication 311 and comply with requirements of the AMCA Certified Ratings Programme.



- Management Commitment to Quality 2
- About Us 3
- Technical Information 5
- Fan Introduction 6
- SSF-Ceiling Exhaust Fan Curves & Technical Data 8
- SSF-Cabinet Inline Fan Curves & Technical Data 17
- Accessories 26
- Guide for Specification 27
- Typical Application 28
- Fan Parts 29
- Warranty 30
- Contacts / Inquiries 31

ation Fan Series





Fan Laws

Speed Variation at constant fan size and constant density :

The volume flow changes proportionately to the speed

$$\frac{V_1}{V_2} = \frac{n_1}{n_2}$$

All pressures (static, dynamic and total) change proportionately to the square of speed

$$\frac{P_{st1}}{P_{st2}} = \left(\frac{n_1}{n_2}\right)^2 = \left(\frac{V_1}{V_2}\right)^2$$

The Power requirement changes proportionately to the third power of speed

$$\frac{P_1}{P_2} = \left(\frac{n_1}{n_2}\right)^3 = \left(\frac{V_1}{V_2}\right)^3$$

In the case of changes in the wheel diameter of geometrically similar wheels at constant speed :

The volume flow changes proportionately to the third power of the wheel diameter .

$$\frac{V_1}{V_2} = \left(\frac{D_1}{D_2}\right)^3$$

All pressures (static, dynamic and total) change proportionately to the square of wheel diameter .

$$\frac{P_{st1}}{P_{st2}} = \left(\frac{D_1}{D_2}\right)^2$$

The Power requirement changes proportionately to the fifth power of wheel diameter .

$$\frac{P_1}{P_2} = \left(\frac{D_1}{D_2}\right)^5$$

Pressure Units

Convert from	Convert to										
	Pa (N/m ²)	bar	atm	mm Hg =1 torr	mm H ₂ O	m H ₂ O	kg/cm ²	lb/ft ²	lb/in ² (psi)	inches Hg	inches H ₂ O
Pa (N/m ²)	1	10 ⁻⁵	9.87 10 ⁻⁶	0.0075	0.1	10 ⁻⁴	1.02 10 ⁻⁵	0.021	1.45 10 ⁻⁴	2.96 10 ⁻⁴	4.02 10 ⁻³
bar	105	1	0.987	750	1.01910 ⁴	10.197	1.0197	2090	14.5	29.61	402
atmosphere	1.01 10 ⁵	1.013	1	759.9	10332	10.332	1.03	2117.5	14.69	29.92	407
mm Hg	133.3	1.33 10 ⁻³	1.32 10 ⁻³	1	13.3	0.013	1.36 10 ⁻³	2.79	0.019	0.039	0.54
mm H ₂ O	10	0.000097	9.87 10 ⁻⁵	0.075	1	0.001	1.02 10 ⁻⁴	0.209	1.45 10 ⁻³	2.96 10 ⁻³	0.04
m H ₂ O	104	0.097	9.87 10 ⁻²	75	1000	1	0.102	209	1.45	2.96	40.2
kg/cm ²	9.8 10 ⁴	0.98	0.97	735	10000	10	1	2049	14.21	29.03	394
lb/ft ²	47.8	4.78 10 ⁻⁴	4.72 10 ⁻⁴	0.36	4.78	4.78 10 ⁻³	4.88 10 ⁻⁴	1	0.0069	0.014	0.19
lb/in ² (psi)	6894.76	0.069	0.068	51.7	689.7	0.69	0.07	144	1	2.04	27.7
inches Hg	3377	0.0338	0.033	25.4	337.7	0.337	0.034	70.8	0.49	1	13.57
inches H ₂ O	248.8	2.49 10 ⁻³	2.46 10 ⁻³	1.87	25.4	0.0254	0.0025	5.2	0.036	0.074	1

Volume Flow Units

Convert from	Convert to										
	m ³ /s	m ³ /min	m ³ /h	liter/sec	liter/min	liter/h	cfm	US gpd	US gpm	IMP gpd	IMP gpm
m ³ /s	1	60	3600	1000	60000	3600000	2119	22800000	15852	19000000	13200
m ³ /min	0.0167	1	60	16.67	1000	60000	35.32	380000	264.2	316667	220
m ³ /h	0.000278	0.0167	1	0.278	16.67	1000	0.589	6333.3	4.403	5277.8	3.67
liter/sec	0.001	0.06	3.6	1	60	3600	2.119	22800	15.852	19000	13.2
liter/min	1.67 10 ⁻⁵	0.001	0.06	0.0167	1	60	0.0353	380	0.2642	316.7	0.22
liter/h	2.7 10 ⁻⁷	0.000017	0.001	0.00028	0.0167	1	0.00059	6.33	0.0044	5.28	0.0037
cfm	0.00047	0.028	1.699	0.472	28.32	1698.99	1	10760.3	7.48	8966.9	6.23
US gpd	4.39 10 ⁻⁸	2.6 10 ⁻⁶	0.000158	0.000044	0.0026	0.158	0.000093	1	0.000695	0.833	0.000579
US gpm	0.000063	0.00379	0.227	0.063	3.785	227.1	0.1337	1438.3	1	1198.6	0.833
IMP gpd UK	5.26 10 ⁻⁸	3.2 10 ⁻⁶	0.000189	5.26 10 ⁻⁵	0.00316	0.1895	0.00011	1.2	0.00083	1	0.00069
IMPgpm UK	0.000076	0.0046	0.272	0.076	4.55	272.7	0.161	1727.3	1.2	1439.4	1



Fan Introduction

Saudi Silent Fan is manufactured from a combination of fine quality components in order to satisfy requirements of modern residential and commercial zones . Silent fan is the first fan of its kind to incorporate muffler .This acoustically muffler along with high quality forward curved radial impeller provides excellent airflow performance with exceptional quietness.Fans of this series have been constructed according to AMCA standards, its airflow and sound levels satisfy the governing laws .

Advantages

- Compact and space saving design .
- Exceptionally lower noise level .
- High quality acoustical insulation .
- Create significant static pressure .
- Easy access for maintenance and repair .
- 100 % speed controllable external rotor motor
- Extremely low starting current .



Types

Ceiling exhaust
Cabinet Inline exhaust

Application

Saudi silent fan is versatile application due to low sound level .This fan can be used in ventilation, air conditioning system for modern and residential and commercial zones .

Range : 18 Models

Flow rate : upto 600 CFM

Construction

• Housing:

The fan housing made from G90 graded galvanized steel sheet with acoustic insulation. The covering grill for Ceiling Fan and two access doors for cabinet in-line fan can easily be unscrewed to gain for cleaning and maintenance. The motor is removable with spiral scroll.

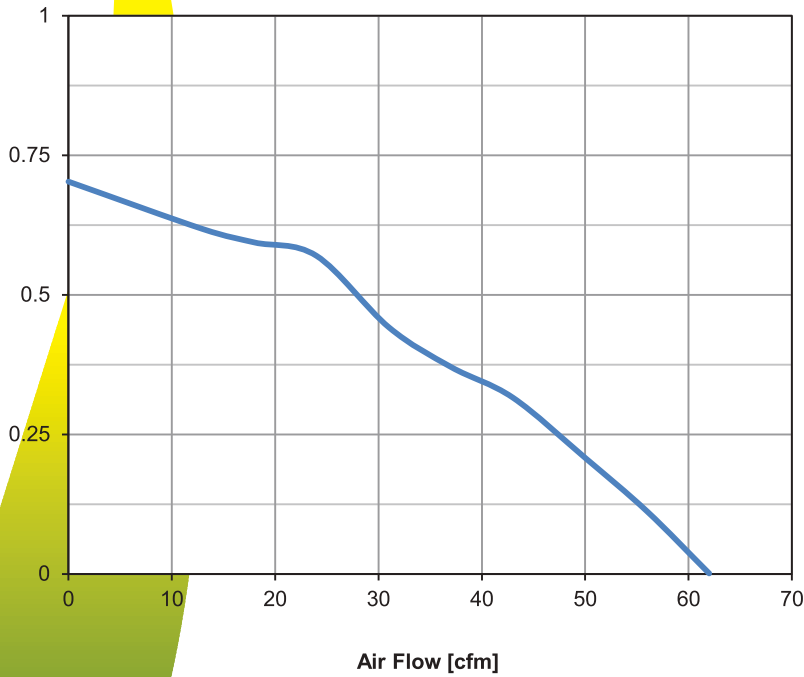
• Impeller:

Impeller is forward curved made from galvanized steel directly mounted on external rotor motor and dynamically and statically balanced in accordance with DIN/ISO 1940 G2.5 on two levels .

• Motors:

The 100 % speed controllable external rotor motor satisfies protection class IP 44 according to DIN 40050 .Maintenance free ball bearings closed on both sides ,sealed for life . Motor winding comply to insulation class F with moisture impregnation and built-in thermal overload protection .

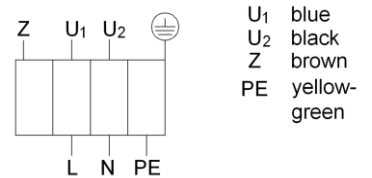
Pstatic [In.wg]



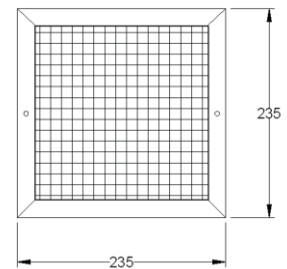
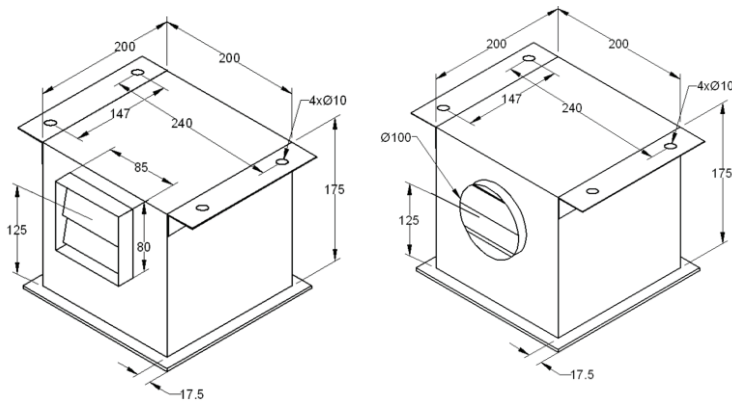
Fan Data	
Fan Weight [kg]	9
Grill neck Size [mm]	175 X 175
Outlet Design	
□ Rectangle[mm]	85 X 80
○ Round[mm]	100

Motor Data	
Voltage [V]	230
Frequency [Hz]	60
Power [W]	30
Current [A]	0.14
Speed[RPM]	2800
Wir.Diagram	01.009

Wiring Diagram



Performance certified is for installation type A: Free inlet, Free outlet per AMCA Standard 210. Performance ratings include the effects of inlet grill and back draft damper. The Sound ratings shown are loudness values in fan zones at 1.5 m (5 ft) in a hemispherical free field calculated per AMCA International Standard 301. Values shown are for: Installation Type A: free inlet hemispherical zone levels.

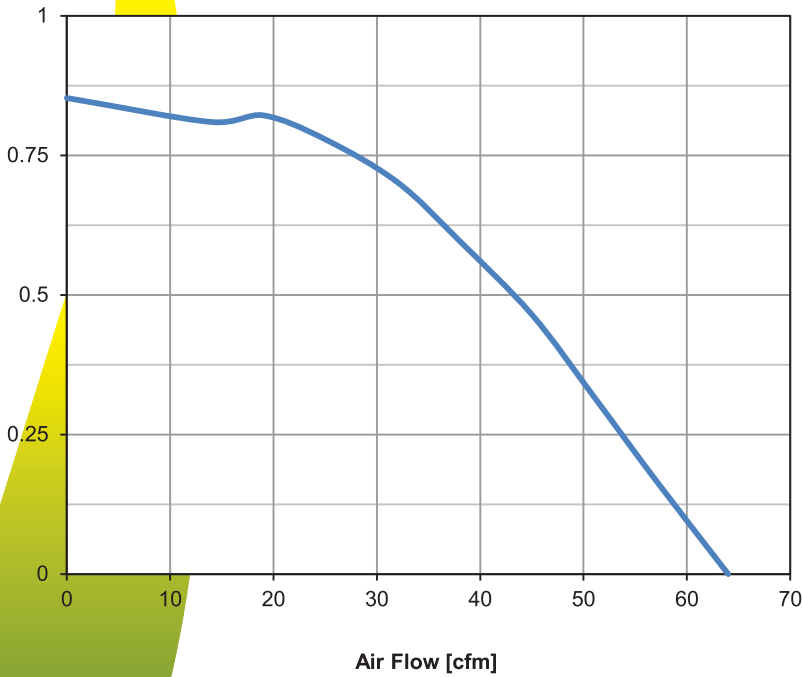


All Dimensions are in mm

Direct Drive	Operating voltage	Operating Speed*(RPM)	Static Pressure in Inches wg					
			0	0.125	0.25	0.375	0.5	
100% Speed Controllable Motor	230	3166	CFM	62	55	47	37	28
			SONES	6.8	6.8	5.8	5.6	5.6
			WATTS	35.5	34.8	34.1	33.4	33.2

*Speed [rpm or rps] shown is nominal. Performance is based on actual speed of test

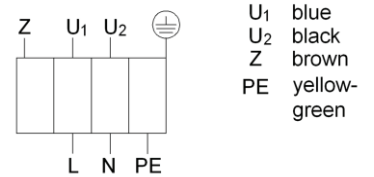
Pstatic [In.wg]



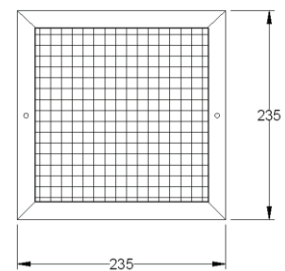
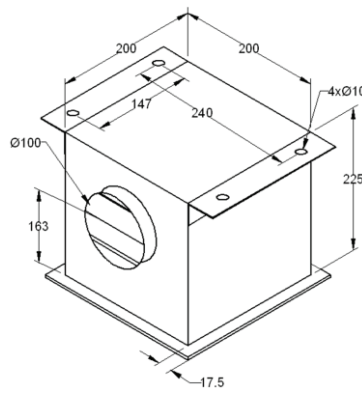
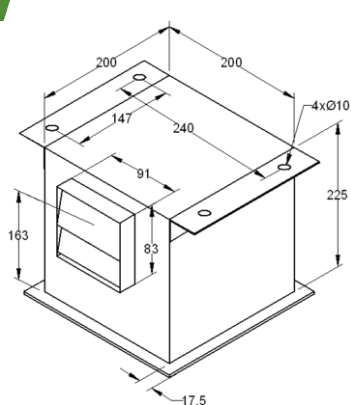
Fan Data	
Fan Weight [kg]	9
Grill neck Size [mm]	175 X 175
Outlet Design	
☐ Rectangle[mm]	91 X 83
○ Round[mm]	100

Motor Data	
Voltage [V]	230
Frequency [Hz]	60
Power [W]	37
Current [A]	0.17
Speed[RPM]	2300
Wir.Diagram	01.009

Wiring Diagram



Performance certified is for installation type A: Free inlet, Free outlet per AMCA Standard 210. Performance ratings include the effects of inlet grill and back draft damper. The Sound ratings shown are loudness values in fan zones at 1.5 m (5 ft) in a hemispherical free field calculated per AMCA International Standard 301. Values shown are for: Installation Type A: free inlet hemispherical zone levels.

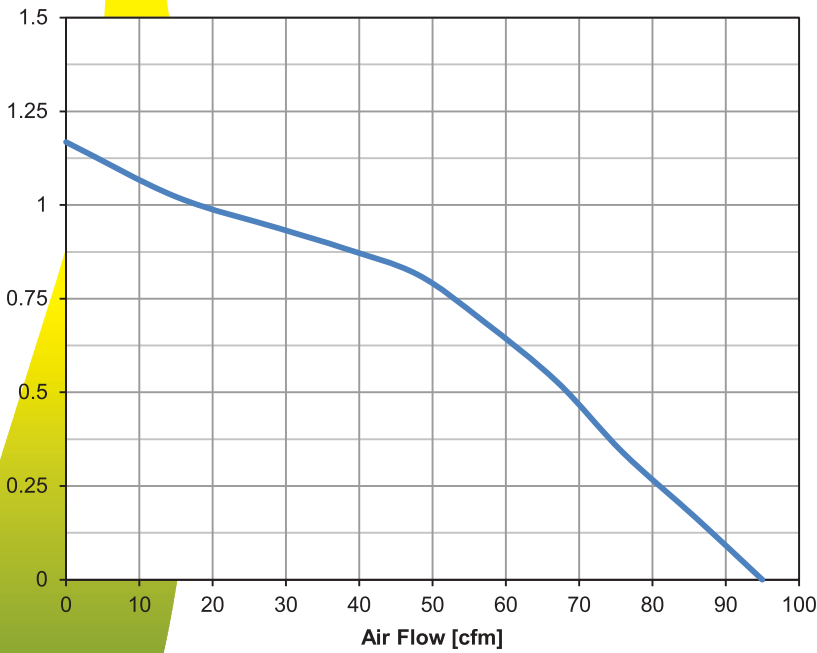


All Dimensions are in mm

Direct Drive	Operating voltage	Operating * Speed(RPM)	Static Pressure in Inches wg						
			0	0.125	0.25	0.375	0.5	0.75	
100% Speed Controllable Motor	230	2832	CFM	64	59	54	49	43	28
			SONES	5.4	5.4	5.3	5.3	5.1	5.1
			WATTS	36.4	36.3	35.9	35.5	35.1	34.0

*Speed [rpm or rps] shown is nominal. Performance is based on actual speed of test

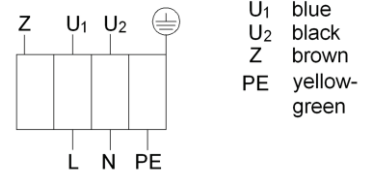
Pstatic [In.wg]



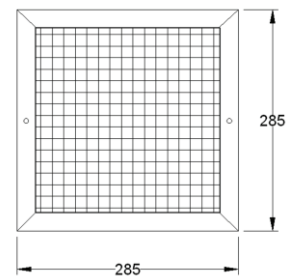
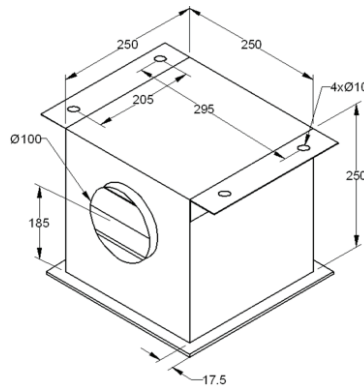
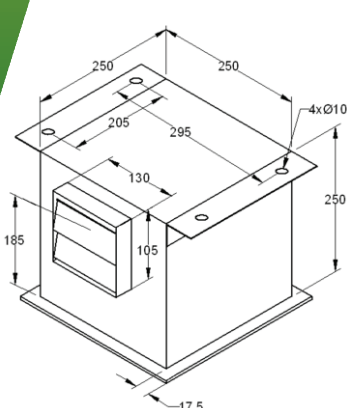
Fan Data	
Fan Weight [kg]	12
Grill neck Size [mm]	225x225
Outlet Design	
□ Rectangle[mm]	130x105
○ Round[mm]	100

Motor Data	
Voltage [V]	230
Frequency [Hz]	60
Power [W]	35
Current [A]	0.16
Speed[RPM]	1850
Wir.Diagram	01.009

Wiring Diagram



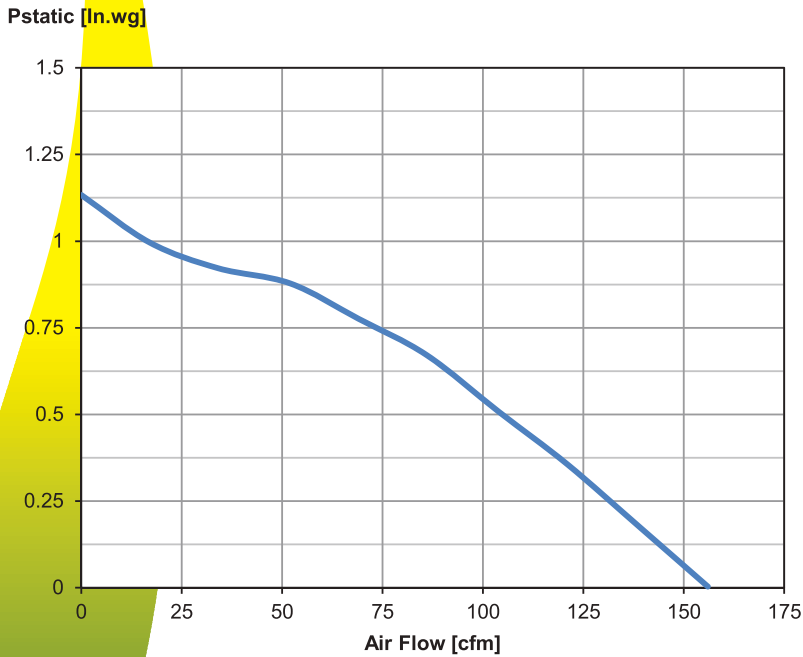
Performance certified is for installation type A: Free inlet, Free outlet per AMCA Standard 210. Performance ratings include the effects of inlet grill and back draft damper. The Sound ratings shown are loudness values in fan zones at 1.5 m (5 ft) in a hemispherical free field calculated per AMCA International Standard 301. Values shown are for: Installation Type A: free inlet hemispherical sone levels.



All Dimensions are in mm

Direct Drive	Operating voltage	Operating * Speed (RPM)		Static Pressure in Inches wg					
				0	0.125	0.25	0.375	0.5	0.75
100% Speed Controllable Motor	230	2754	CFM	95	88	81	74	68	53
			SONES	5.6	5.4	5.4	5.3	5.2	5.2
			WATTS	34.0	33.3	32.7	32.0	31.3	29.6

*Speed [rpm or rps] shown is nominal. Performance is based on actual speed of test



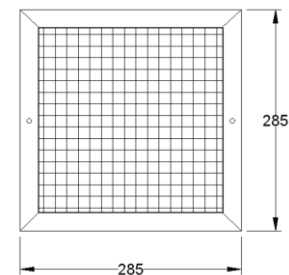
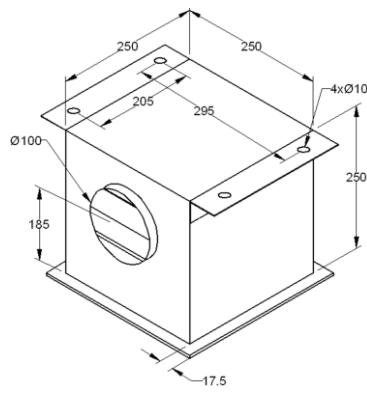
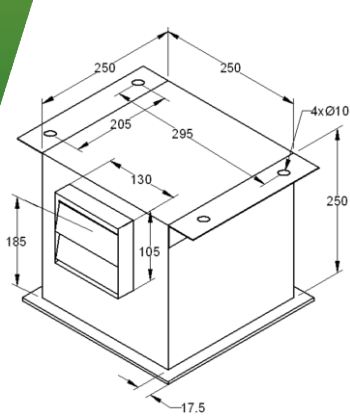
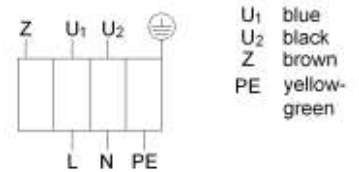
Fan Data	
Fan Weight [kg]	12
Grill neck Size [mm]	225x225
Outlet Design	
Rectangle[mm]	130x105
Round[mm]	100

Motor Data	
Voltage [V]	230
Frequency [Hz]	60
Power [W]	55
Current [A]	0.25
Speed[RPM]	1250
Wir.Diagram	01.009



Performance certified is for installation type A: Free inlet, Free outlet per AMCA Standard 210. Performance ratings include the effects of inlet grill and back draft damper. The Sound ratings shown are loudness values in fan sones at 1.5 m (5 ft) in a hemispherical free field calculated per AMCA International Standard 301. Values shown are for : Installation Type A: free inlet hemispherical sone levels.

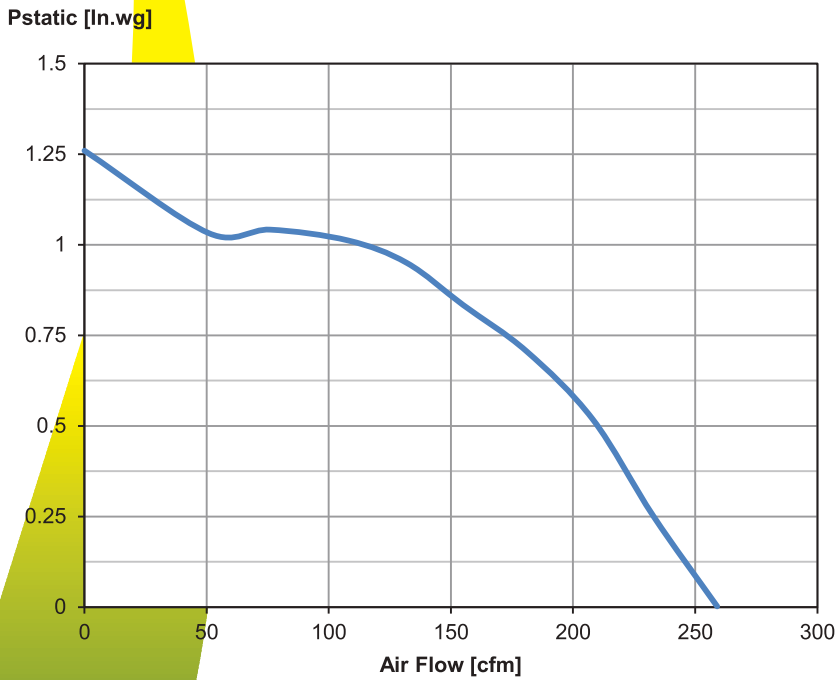
Wiring Diagram



All Dimensions are in mm

Direct Drive	Operating voltage	Operating * Speed(RPM)		Static Pressure in Inches wg						
				0	0.125	0.25	0.375	0.5	0.75	1
100% Speed Controllable Motor	230	2515	CFM	156	144	132	119	105	73	17
			SONES	4.1	4.1	4.1	4.9	4.9	5.6	5.6
			WATTS	55.6	55.7	55.3	54.6	53.6	51.4	48.2

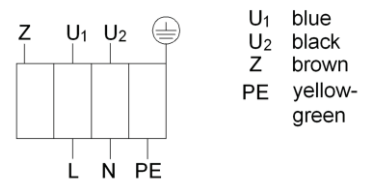
*Speed [rpm or rps] shown is nominal. Performance is based on actual speed of test



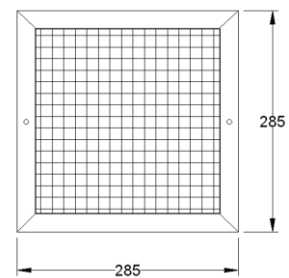
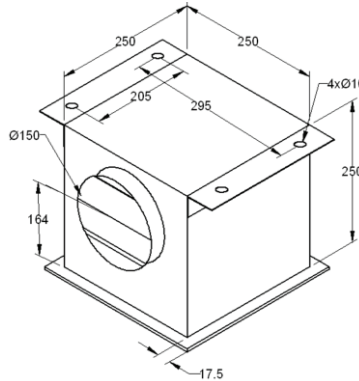
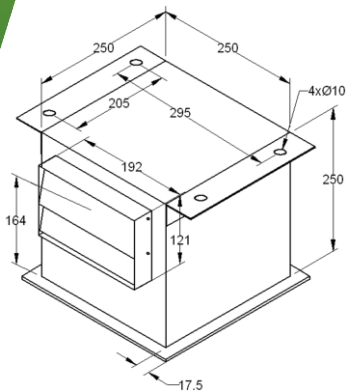
Fan Data	
Fan Weight [kg]	12
Grill neck Size [mm]	225x225
Outlet Design	
□ Rectangle[mm]	192X121
○ Round[mm]	150

Motor Data	
Voltage [V]	230
Frequency [Hz]	60
Power [W]	100
Current [A]	0.45
Speed[RPM]	1950
Wir.Diagram	01.009

Wiring Diagram



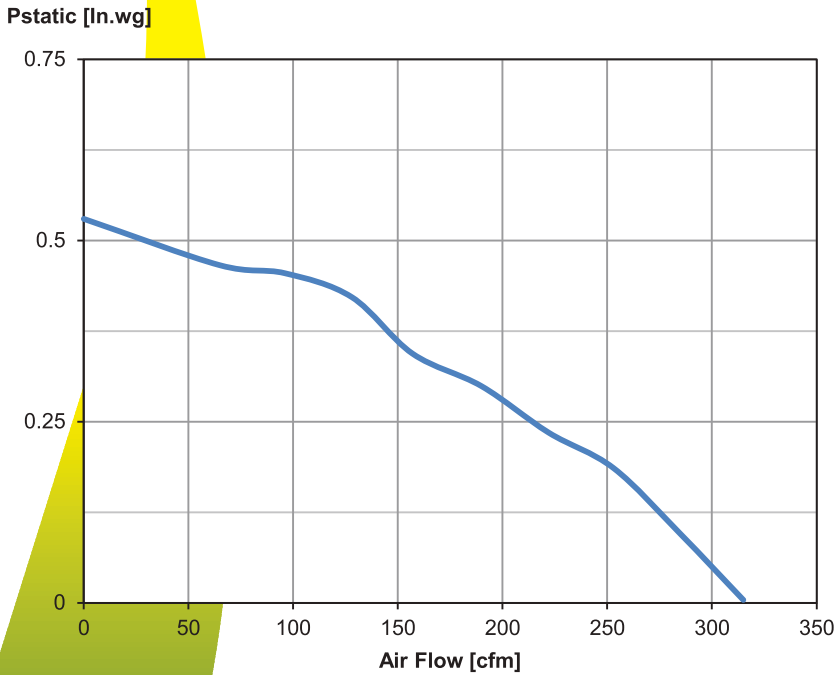
Performance certified is for installation type A: Free inlet, Free outlet per AMCA Standard 210. Performance ratings include the effects of inlet grill and back draft damper. The Sound ratings shown are loudness values in fan zones at 1.5 m (5 ft) in a hemispherical free field calculated per AMCA International Standard 301. Values shown are for: Installation Type A: free inlet hemispherical sone levels.



All Dimensions are in mm

Direct Drive	Operating voltage	Operating * Speed(RPM)		Static Pressure in Inches wg							
				0	0.125	0.25	0.375	0.5	0.75	1	
100% Speed Controllable Motor	230	2955	CFM	259	246	233	221	210	172	113	
			SONES	8.4	8.4	7.9	7.6	7.6	7.1	7.1	
			WATTS	96.5	94.3	92.0	90.3	88.6	82.8	74.8	

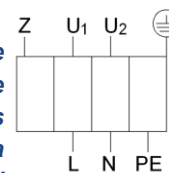
*Speed [rpm or rps] shown is nominal. Performance is based on actual speed of test



Fan Data	
Fan Weight [kg]	20
Grill neck Size [mm]	295 X 225
Outlet Design	
Rectangle[mm]	255 X 111

Motor Data	
Voltage [V]	230
Frequency [Hz]	60
Power [W]	81
Current [A]	0.036
Speed[RPM]	1240
Wir.Diagram	01.009

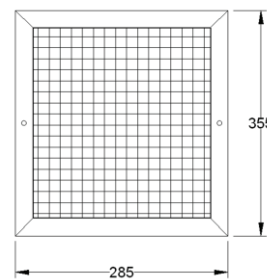
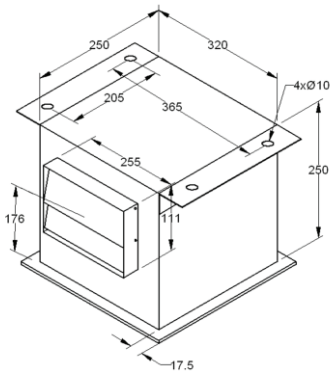
Wiring Diagram



- U₁ blue
- U₂ black
- Z brown
- PE yellow-green



Performance certified is for installation type A: Free inlet, Free outlet per AMCA Standard 210. Performance ratings include the effects of inlet grill and back draft damper. The Sound ratings shown are loudness values in fan sones at 1.5 m (5 ft) in a hemispherical free field calculated per AMCA International Standard 301 . Values shown are for : Installation Type A: free inlet hemispherical sone levels .

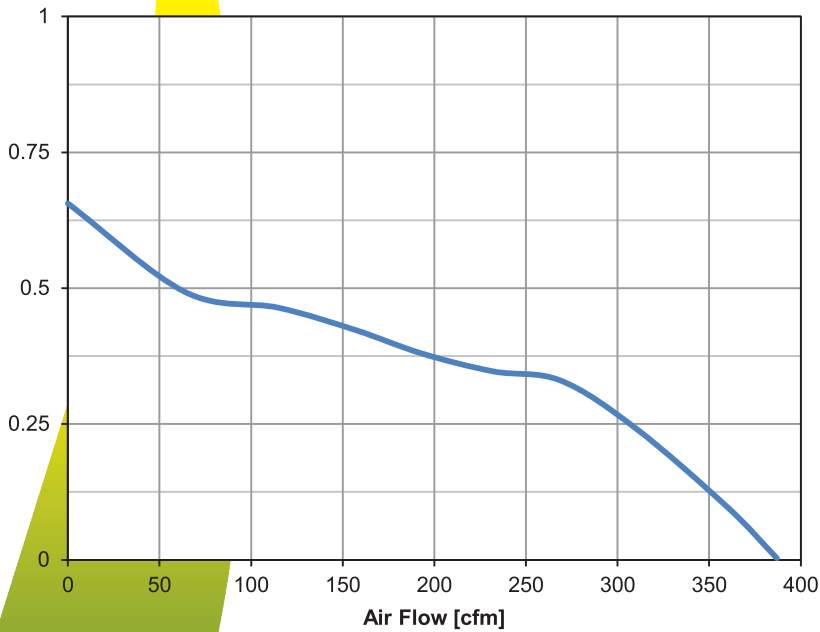


All Dimensions are in mm

Direct Drive	Operating voltage	Operating * Speed(RPM)	Static Pressure in Inches wg					
			0	0.125	0.25	0.375	0.5	
100% Speed Controllable Motor	230	1598	CFM	315	274	215	145	30
			SONES	5.8	5.2	4.7	4.1	4.1
			WATTS	76.7	74.3	71.9	69.5	67.1

*Speed [rpm or rps] shown is nominal. Performance is based on actual speed of test

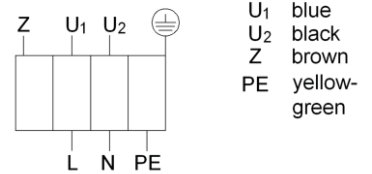
Pstatic [In.wg]



Fan Data	
Fan Weight [kg]	16
Grill neck Size [mm]	350 X 255
Outlet Design	
Rectangle[mm]	275 X 145

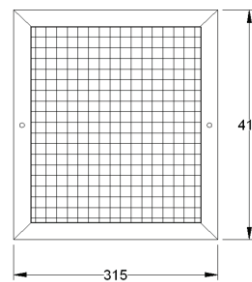
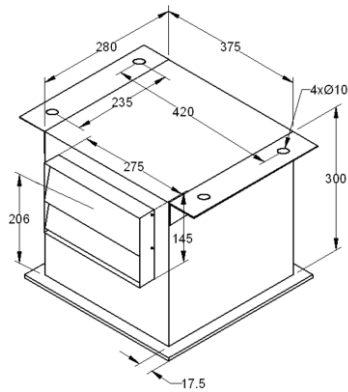
Motor Data	
Voltage [V]	230
Frequency [Hz]	60
Power [W]	83
Current [A]	0.37
Speed[RPM]	1100
Wir.Diagram	01.009

Wiring Diagram



U1 blue
U2 black
Z brown
PE yellow-green

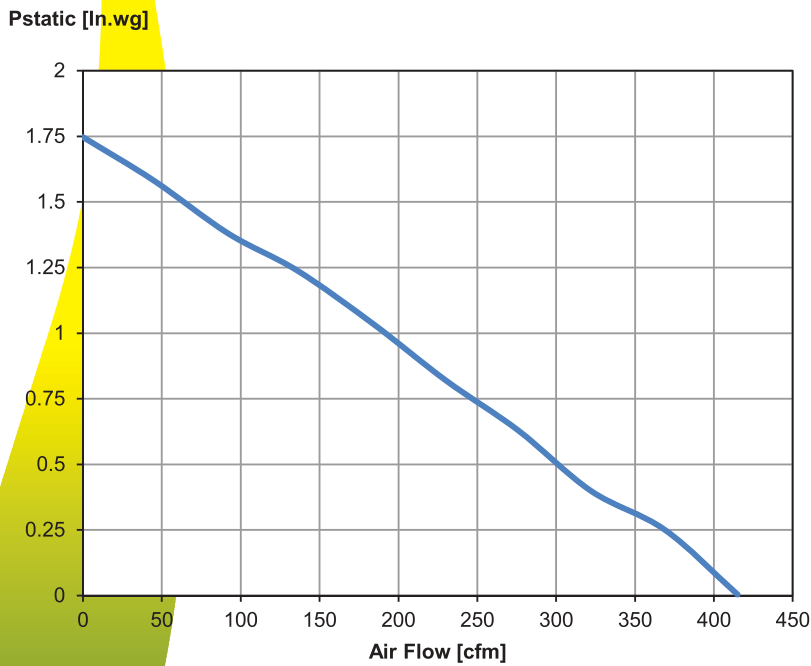
Performance certified is for installation type A: Free inlet, Free outlet per AMCA Standard 210. Performance ratings include the effects of inlet grill and back draft damper. The Sound ratings shown are loudness values in fan sones at 1.5 m (5 ft) in a hemispherical free field calculated per AMCA International Standard 301 . Values shown are for : Installation Type A : free inlet hemispherical sone levels .



All Dimensions are in mm

Direct Drive	Operating voltage	Operating * Speed(RPM)	Static Pressure in Inches wg					
				0	0.125	0.25	0.375	0.5
100% Speed Controllable Motor	230	1551	CFM	387	350	306	199	61
			SONES	6.0	5.2	5.2	4.2	4.4
			WATTS	79.7	77.9	75.4	71.3	68.1

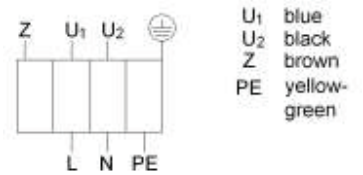
*Speed [rpm or rps] shown is nominal. Performance is based on actual speed of test



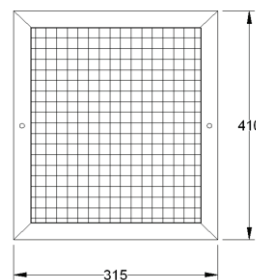
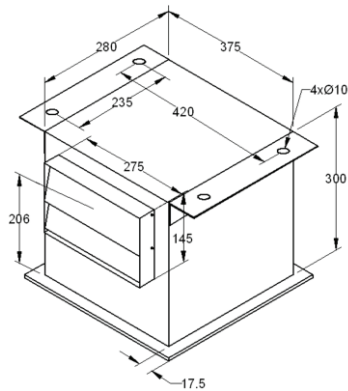
Fan Data	
Fan Weight [kg]	16
Grill neck Size [mm]	350 X 255
Outlet Design	
Rectangle[mm]	275 X 145

Motor Data	
Voltage [V]	230
Frequency [Hz]	60
Power [W]	195
Current [A]	0.85
Speed[RPM]	1550
Wir.Diagram	01.009

Wiring Diagram



Performance certified is for installation type A: Free inlet, Free outlet per AMCA Standard 210. Performance ratings include the effects of inlet and back draft damper. The Sound ratings shown are loudness values in fan sones at 1.5 m (5 ft) in a hemispherical free field calculated per AMCA International Standard 301 . Values shown are for : Installation Type A: free inlet hemispherical sone levels .

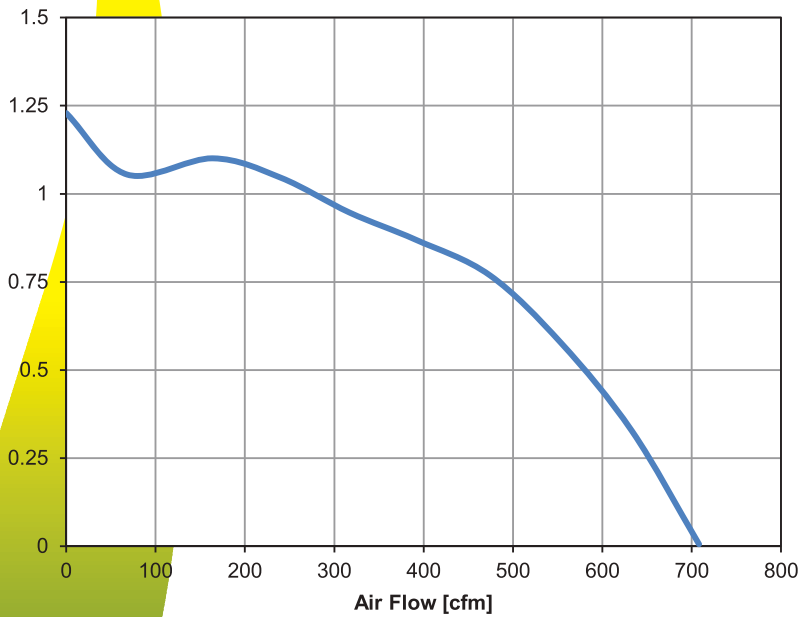


All Dimensions are in mm

Direct Drive	Operating voltage	Operating * Speed(RPM)	Static Pressure in Inches wg							
			0	0.25	0.5	0.75	1	1.25	1.5	
100% Speed Controllable Motor	230	2233	CFM	415	369	302	247	191	132	64
			SONES	7.4	7.5	8.2	9.2	9.2	9.2	9.2
			WATTS	196.0	195.0	192.2	189.2	186.7	183.6	180.3

*Speed [rpm or rps] shown is nominal. Performance is based on actual speed of test

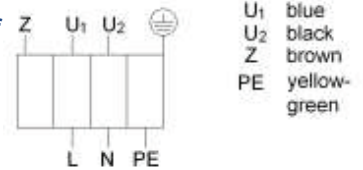
Pstatic [In.wg]



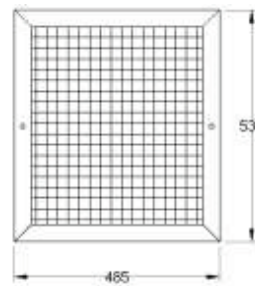
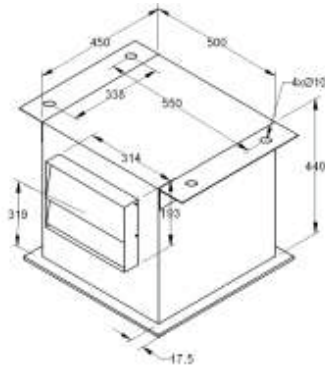
Fan Data	
Fan Weight [kg]	30
Grill neck Size [mm]	475 X 425
Outlet Design	
Rectangle[mm]	314 X 193

Motor Data	
Voltage [V]	230
Frequency [Hz]	60
Power [W]	230
Current [A]	1.05
Speed[RPM]	960
Wir.Diagram	01.025

Wiring Diagram



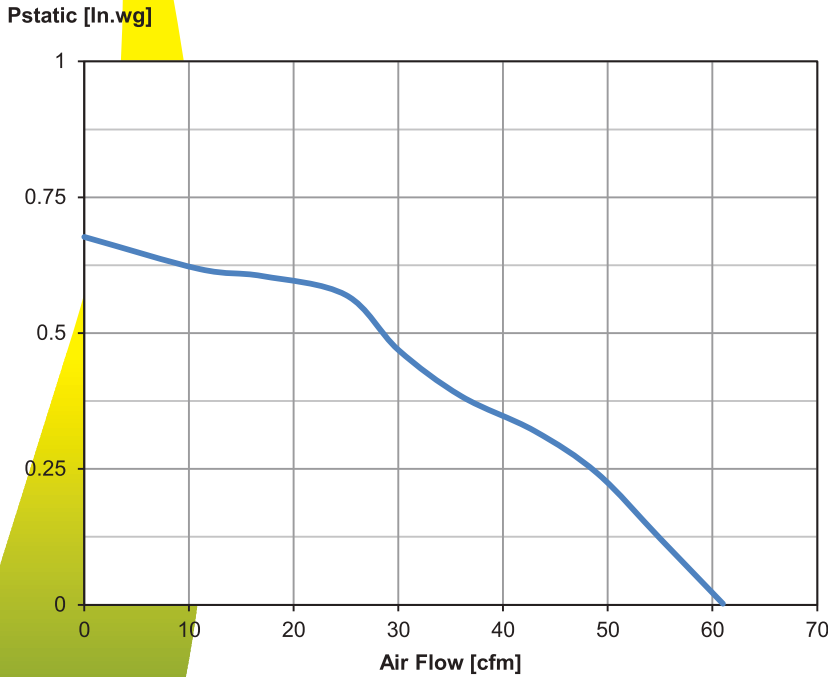
Performance certified is for installation type A: Free inlet, Free outlet per AMCA Standard 210. Performance ratings include the effects of inlet grill and back draft damper. The Sound ratings shown are loudness values in fan zones at 1.5 m (5 ft) in a hemispherical free field calculated per AMCA International Standard 301. Values shown are for: Installation Type A: free inlet hemispherical sone levels.



All Dimensions are in mm

Direct Drive	Operating voltage	Operating * Speed(RPM)	Static Pressure in Inches wg							
			0	0.125	0.25	0.375	0.5	0.75	1	
100% Speed Controllable Motor	230	1414	CFM	708	680	651	618	578	482	276
			SONES	8.4	8.4	8.4	8.7	8.7	8.7	8.7
			WATTS	245.2	241.0	236.6	231.5	225.5	212.3	190.7

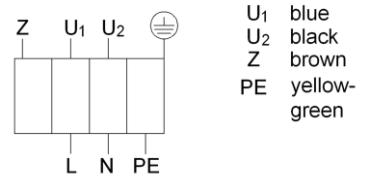
*Speed [rpm or rps] shown is nominal. Performance is based on actual speed of test



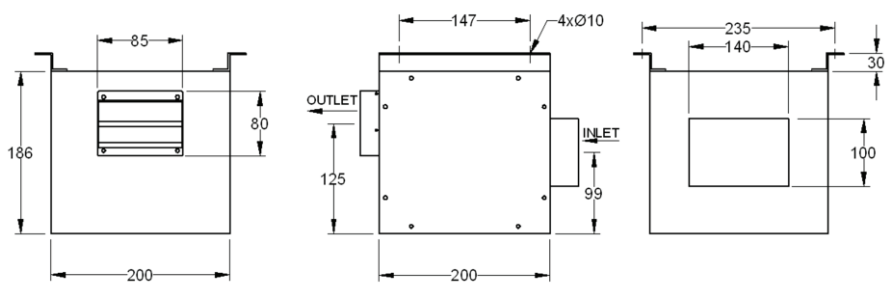
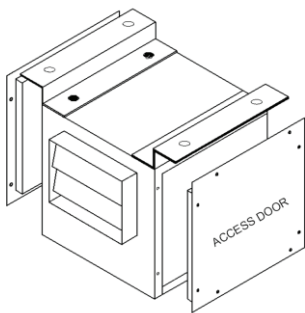
Fan Data	
Fan Weight [kg]	8
Outlet Design	
Rectangle[mm]	85 X 80
Inlet Design	
Rectangle[mm]	140 X 100

Motor Data	
Voltage [V]	230
Frequency [Hz]	60
Power [W]	30
Current [A]	0.14
Speed[RPM]	2800
Wir.Diagram	01.009

Wiring Diagram



Performance certified is for installation type A: Free inlet, Free outlet per AMCA Standard 210. Performance ratings include the effects of inlet and back draft damper. The Sound ratings shown are loudness values in fan sones at 1.5 m (5 ft) in a hemispherical free field calculated per AMCA International Standard 301 . Values shown are for : Installation Type A: free inlet hemispherical sone levels .

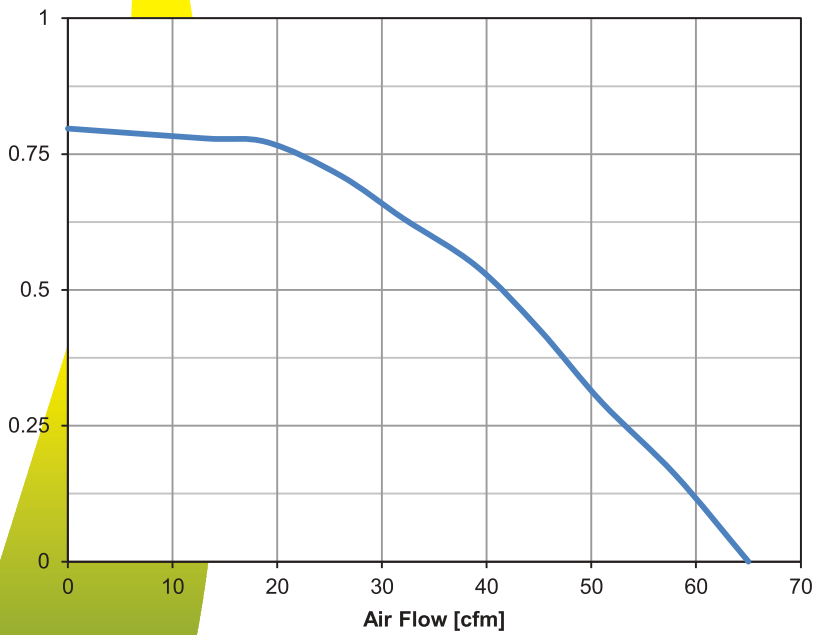


All Dimensions are in mm

Direct Drive	Operating voltage	Operating * Speed(RPM)	Static Pressure in Inches wg					
			0	0.125	0.25	0.375	0.5	
100% Speed Controllable Motor	230	3122	CFM	61	55	48	37	28
			SONES	6.6	6.4	5.9	5.6	5.6
			WATTS	36.2	35.2	34.5	33.6	33.0

*Speed [rpm or rps] shown is nominal. Performance is based on actual speed of test

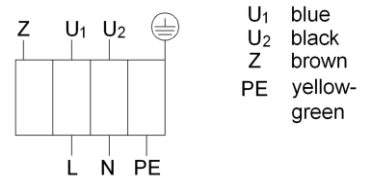
Pstatic [In.wg]



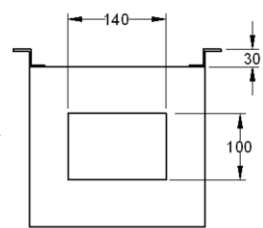
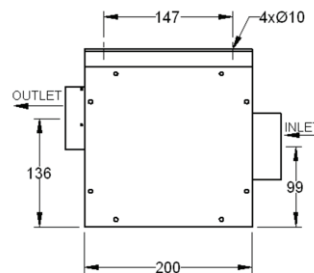
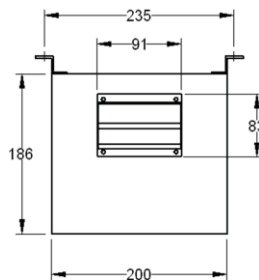
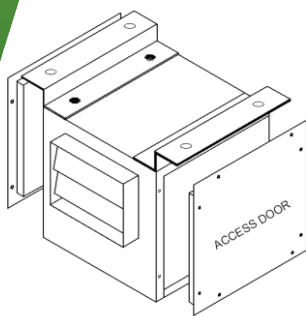
Fan Data	
Fan Weight [kg]	9
Outlet Design	
Rectangle[mm]	91 X 83
Inlet Design	
Rectangle[mm]	140 X 100

Motor Data	
Voltage [V]	230
Frequency [Hz]	60
Power [W]	37
Current [A]	0.17
Speed[RPM]	2300
Wir.Diagram	01.009

Wiring Diagram



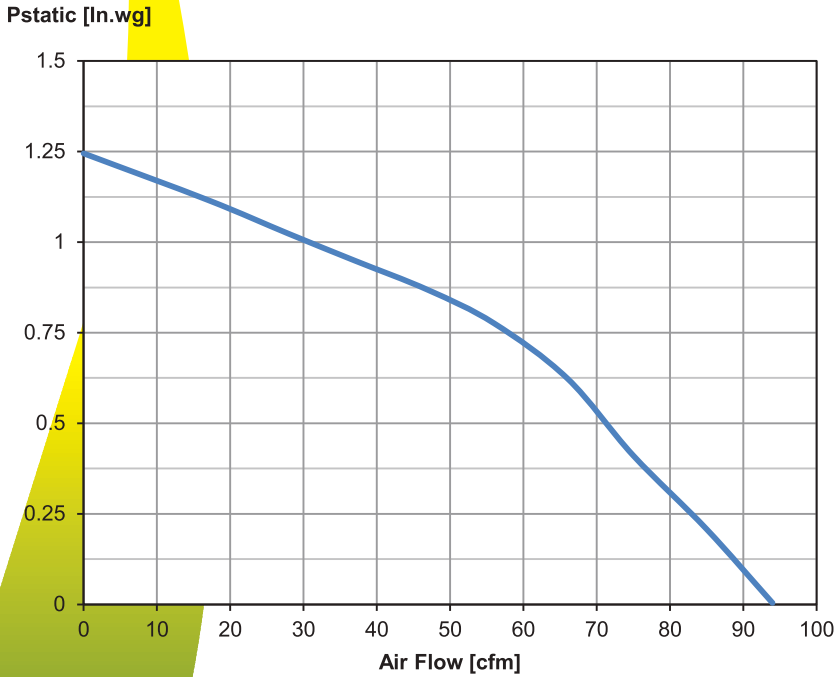
Performance certified is for installation type A: Free inlet, Free outlet per AMCA Standard 210. Performance ratings include the effects of inlet and back draft damper. The Sound ratings shown are loudness values in fan sones at 1.5 m (5 ft) in a hemispherical free field calculated per AMCA International Standard 301 . Values shown are for : Installation Type A : free inlet hemispherical sone levels .



All Dimensions are in mm

Direct Drive	Operating voltage	Operating * Speed(RPM)	Static Pressure in Inches wg						
			0	0.125	0.25	0.375	0.5	0.75	
100% Speed Controllable Motor	230	2808	CFM	65	60	53	47	41	22
			SONES	5.8	5.7	5.8	5.8	5.4	5.4
			WATTS	36.3	35.9	35.5	34.9	34.5	32.9

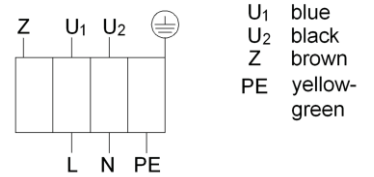
*Speed [rpm or rps] shown is nominal. Performance is based on actual speed of test



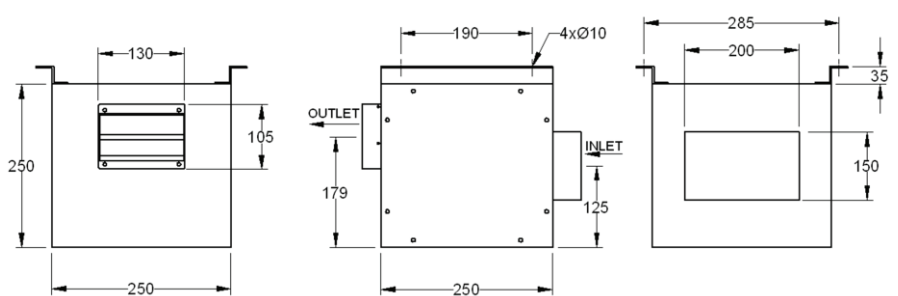
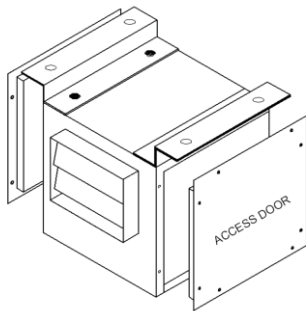
Fan Data	
Fan Weight [kg]	12
Outlet Design	
Rectangle[mm]	130 X 105
Inlet Design	
Rectangle[mm]	200 X 150

Motor Data	
Voltage [V]	230
Frequency [Hz]	60
Power [W]	35
Current [A]	0.16
Speed[RPM]	1850
Wir.Diagram	01.009

Wiring Diagram



Performance certified is for installation type A: Free inlet, Free outlet per AMCA Standard 210. Performance ratings include the effects of inlet and back draft damper. The Sound ratings shown are loudness values in fan sones at 1.5 m (5 ft) in a hemispherical free field calculated per AMCA International Standard 301 . Values shown are for : Installation Type A: free inlet hemispherical sone levels .

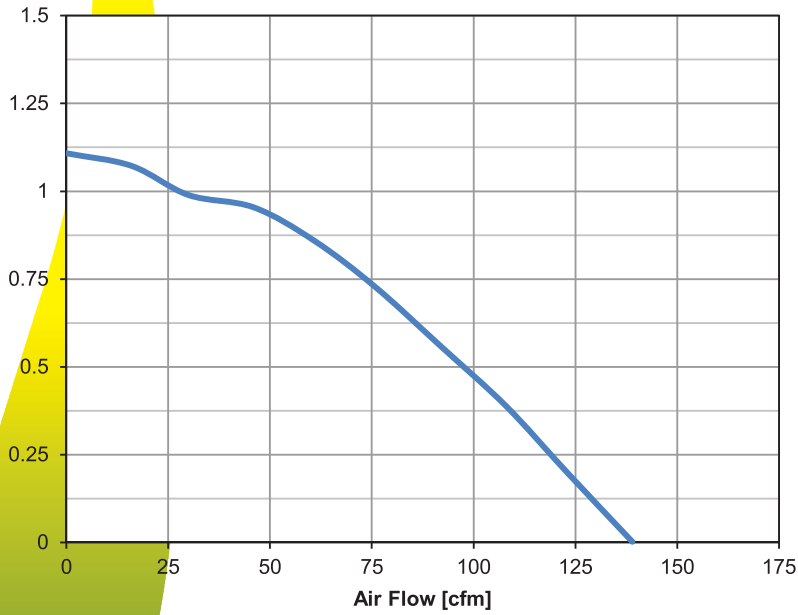


All Dimensions are in mm

Direct Drive	Operating voltage	Operating Speed*(RPM)	Static Pressure in Inches wg						
			0	0.125	0.25	0.375	0.5	0.75	
100% Speed Controllable Motor	230	2789	CFM	94	89	83	77	71	58
			SONES	5.2	5.4	5.4	5.4	5.4	5.4
			WATTS	35.1	34.5	33.9	33.1	32.4	30.5

*Speed [rpm or rps] shown is nominal. Performance is based on actual speed of test

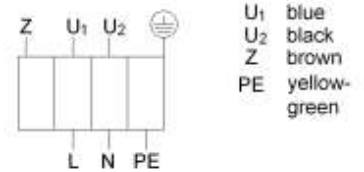
Pstatic [In.wg]



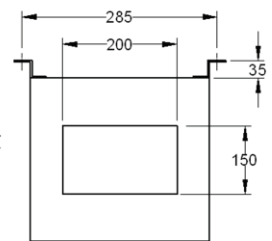
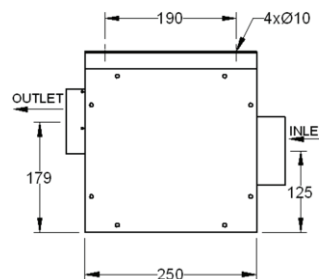
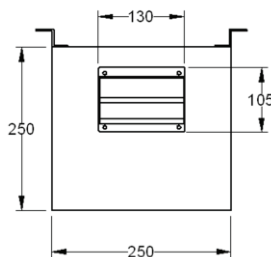
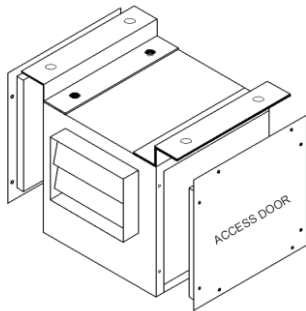
Fan Data	
Fan Weight [kg]	12
Outlet Design	
Rectangle[mm]	130 X 105
Inlet Design	
Rectangle[mm]	200 X 150

Motor Data	
Voltage [V]	230
Frequency [Hz]	60
Power [W]	55
Current [A]	0.25
Speed[RPM]	1250
Wir.Diagram	01.009

Wiring Diagram



Performance certified is for installation type A: Free inlet, Free outlet per AMCA Standard 210. Performance ratings include the effects of inlet and back draft damper. The Sound ratings shown are loudness values in fan sones at 1.5 m (5 ft) in a hemispherical free field calculated per AMCA International Standard 301 . Values shown are for : Installation Type A : free inlet hemispherical sone levels .

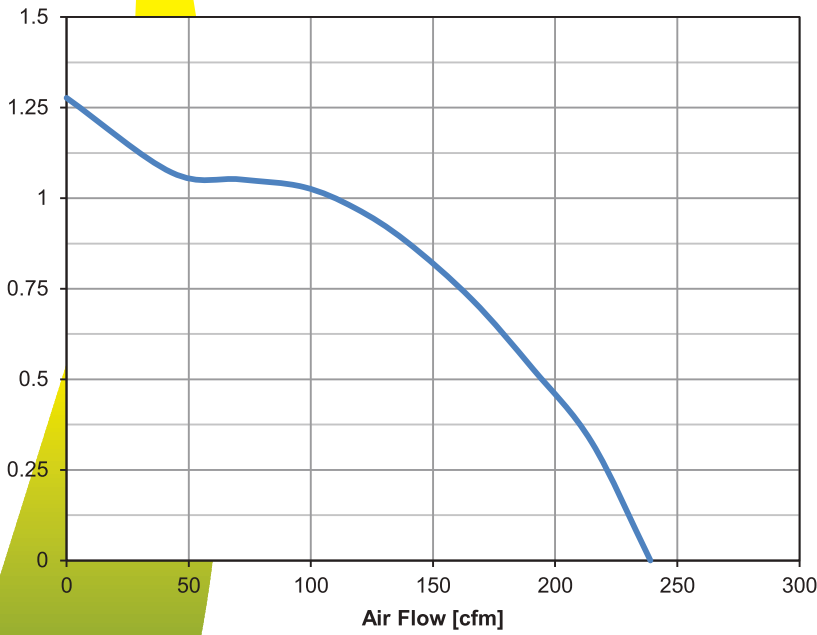


All Dimensions are in mm

Direct Drive	Operating voltage	Operating * Speed(RPM)		Static Pressure in Inches wg						
				0	0.125	0.25	0.375	0.5	0.75	1
100% Speed Controllable Motor	230	2655	CFM	139	129	119	109	97	73	28
			SONES	0.8	1.9	1.9	3.1	3.1	3.1	3.1
			WATTS	55.1	54.8	54.3	53.5	52.6	50.5	47.0

*Speed [rpm or rps] shown is nominal. Performance is based on actual speed of test

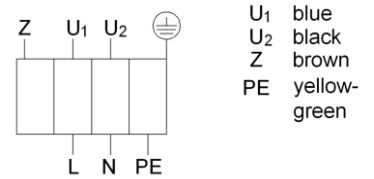
Pstatic [In.wg]



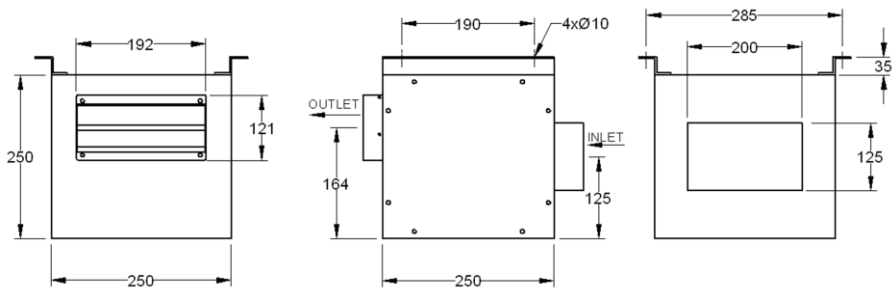
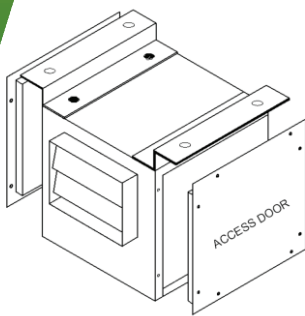
Fan Data	
Fan Weight [kg]	12
Outlet Design	
Rectangle[mm]	192 X 121
Inlet Design	
Rectangle[mm]	200 X 125

Motor Data	
Voltage [V]	230
Frequency [Hz]	60
Power [W]	100
Current [A]	.45
Speed[RPM]	1950
Wir.Diagram	01.009

Wiring Diagram



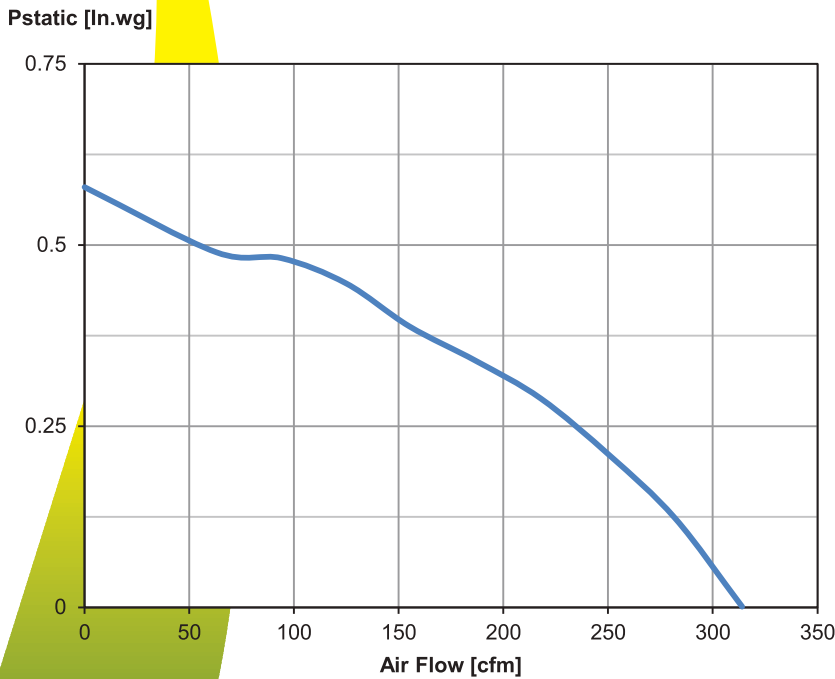
Performance certified is for installation type A: Free inlet, Free outlet per AMCA Standard 210. Performance ratings include the effects of inlet and back draft damper. The Sound ratings shown are loudness values in fan sones at 1.5 m (5 ft) in a hemispherical free field calculated per AMCA International Standard 301 . Values shown are for : Installation Type A : free inlet hemispherical sone levels .



All Dimensions are in mm

Direct Drive	Operating voltage	Operating * Speed(RPM)	Static Pressure in Inches wg							
			0	0.125	0.25	0.375	0.5	0.75	1	
100% Speed Controllable Motor	230	2930	CFM	239	230	221	209	194	161	108
			SONES	8.0	8.0	8.2	8.1	8.1	7.4	7.4
			WATTS	97.4	96.2	95.0	93.4	91.0	85.3	76.1

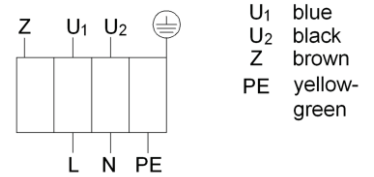
*Speed [rpm or rps] shown is nominal. Performance is based on actual speed of test



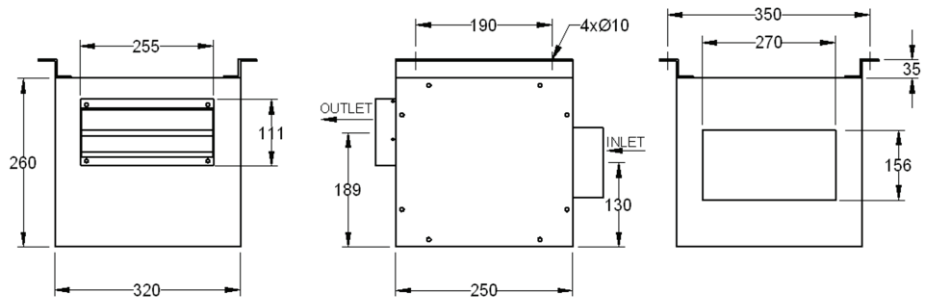
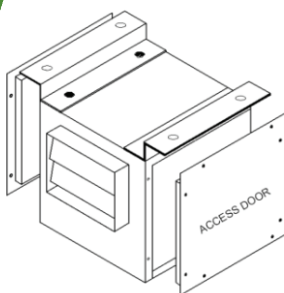
Fan Data	
Fan Weight [kg]	20
Outlet Design	
Rectangle[mm]	255 X 111
Inlet Design	
Rectangle[mm]	270 X 156

Motor Data	
Voltage [V]	230
Frequency [Hz]	60
Power [W]	81
Current [A]	0.36
Speed[RPM]	1240
Wir.Diagram	01.009

Wiring Diagram



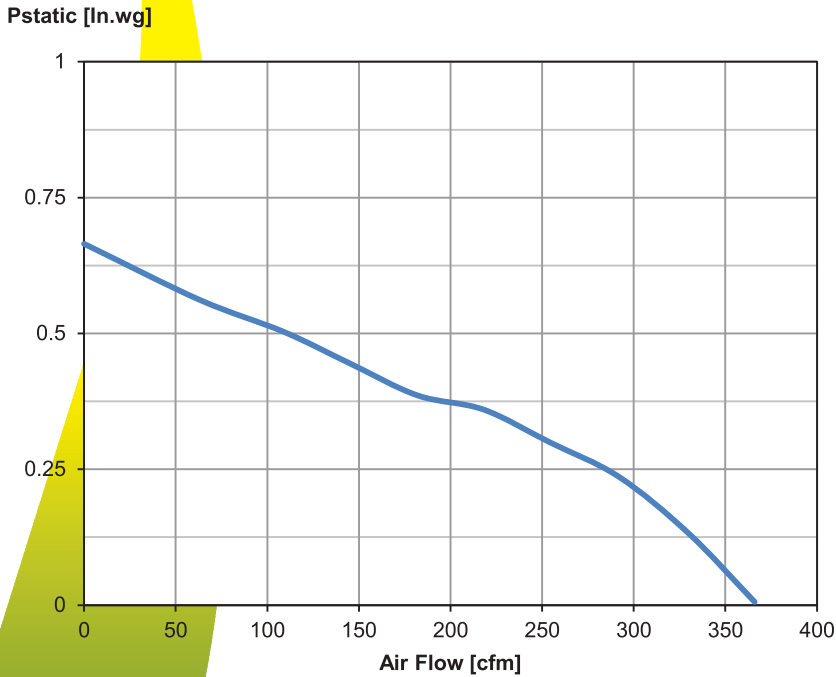
Performance certified is for installation type A: Free inlet, Free outlet per AMCA Standard 210. Performance ratings include the effects of inlet and back draft damper. The Sound ratings shown are loudness values in fan sones at 1.5 m (5 ft) in a hemispherical free field calculated per AMCA International Standard 301 . Values shown are for : Installation Type A: free inlet hemispherical sone levels .



All Dimensions are in mm

Direct Drive	Operating voltage	Operating Speed*(RPM)	Static Pressure in Inches wg					
			0	0.125	0.25	0.375	0.5	
100% Speed Controllable Motor	230	1583	CFM	314	281	234	164	56
			SONES	6.1	5.3	4.7	4.1	4.1
			WATTS	80.4	77.8	74.8	71.0	68.3

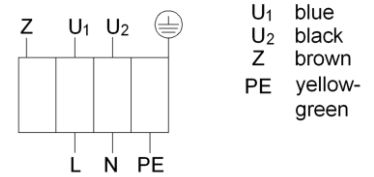
*Speed [rpm or rps] shown is nominal. Performance is based on actual speed of test



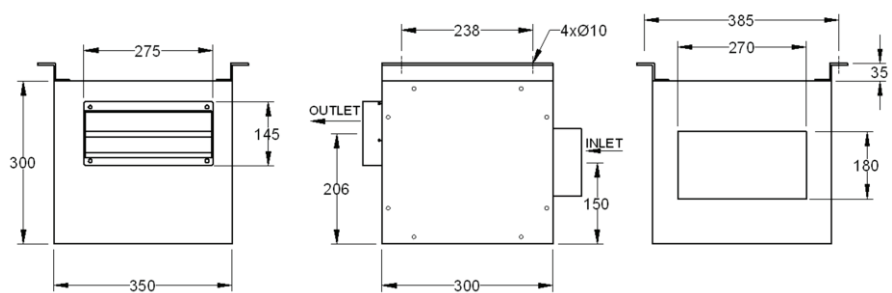
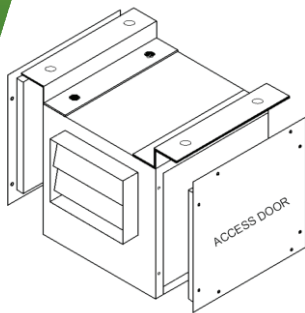
Fan Data	
Fan Weight [kg]	16
Outlet Design	
Rectangle[mm]	275 x145
Inlet Design	
Rectangle[mm]	270 x180

Motor Data	
Voltage [V]	230
Frequency [Hz]	60
Power [W]	83
Current [A]	0.37
Speed[RPM]	1100
Wir.Diagram	01.009

Wiring Diagram



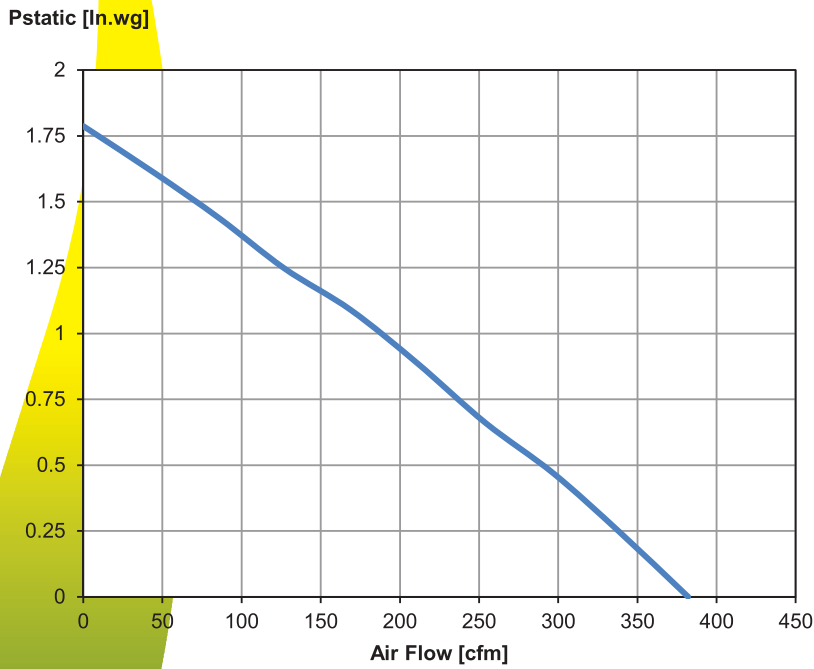
Performance certified is for installation type A: Free inlet, Free outlet per AMCA Standard 210. Performance ratings include the effects of inlet and back draft damper. The Sound ratings shown are loudness values in fan sones at 1.5 m (5 ft) in a hemispherical free field calculated per AMCA International Standard 301 . Values shown are for : Installation Type A : free inlet hemispherical sone levels .



All Dimensions are in mm

Direct Drive	Operating voltage	Operating * Speed(RPM)	Static Pressure in Inches wg					
			0	0.125	0.25	0.375	0.5	
100% Speed Controllable Motor	230	1539	CFM	366	332	284	197	111
			SONES	5.4	5.0	5.0	4.6	4.6
			WATTS	81.3	79.4	76.6	73.3	70.5

*Speed [rpm or rps] shown is nominal. Performance is based on actual speed of test

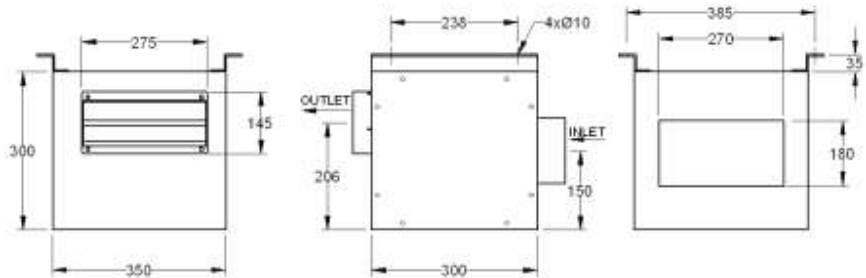
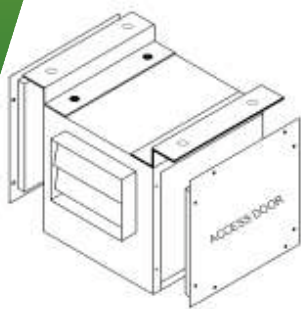
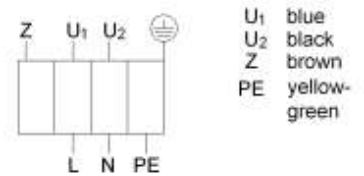


Fan Data	
Fan Weight [kg]	16
Outlet Design	
Rectangle[mm]	275 x145
Inlet Design	
Rectangle[mm]	270 x180

Motor Data	
Voltage [V]	230
Frequency [Hz]	60
Power [W]	195
Current [A]	0.85
Speed[RPM]	1550
Wir.Diagram	01.009

Performance certified is for installation type A: Free inlet, Free outlet per AMCA Standard 210. Performance ratings include the effects of inlet and back draft damper. The Sound ratings shown are loudness values in fan sones at 1.5 m (5 ft) in a hemispherical free field calculated per AMCA International Standard 301 . Values shown are for : Installation Type A : free inlet hemispherical sone levels .

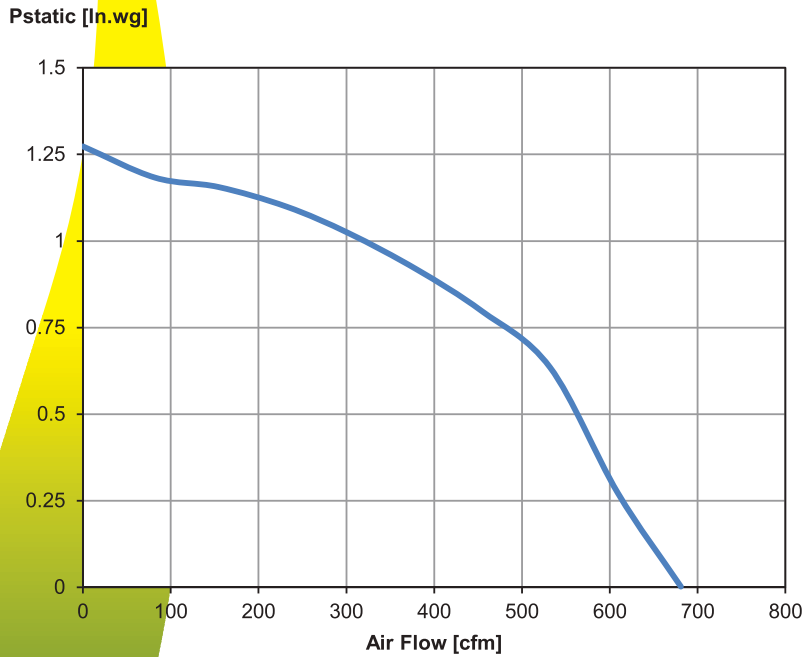
Wiring Diagram



All Dimensions are in mm

Direct Drive	Operating voltage	Operating * Speed(RPM)	Static Pressure in Inches wg							
			0	0.25	0.5	0.75	1	1.25	1.5	
100% Speed Controllable Motor	230	2229	CFM	382	338	290	237	188	126	71
			SONES	7.4	7.3	7.6	9.6	9.6	9.6	9.6
			WATTS	197.4	196.9	195.0	192.8	190.3	187.3	184.3

*Speed [rpm or rps] shown is nominal. Performance is based on actual speed of test



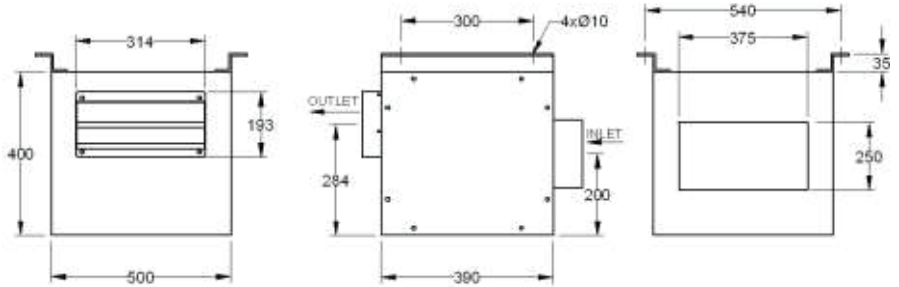
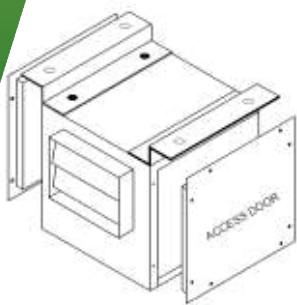
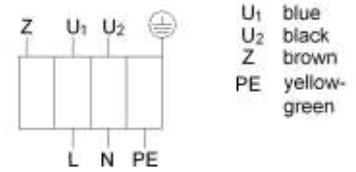
Fan Data	
Fan Weight [kg]	30
Outlet Design	
Rectangle[mm]	314 X 193
Inlet Design	
Rectangle[mm]	375 X 250

Motor Data	
Voltage [V]	230
Frequency [Hz]	60
Power [W]	230
Current [A]	1.05
Speed[RPM]	960
Wir.Diagram	01.025



Performance certified is for installation type A: Free inlet, Free outlet per AMCA Standard 210. Performance ratings include the effects of inlet and back draft damper. The Sound ratings shown are loudness values in fan sones at 1.5 m (5 ft) in a hemispherical free field calculated per AMCA International Standard 301 . Values shown are for : Installation Type A : free inlet hemispherical sone levels .

Wiring Diagram



All Dimensions are in mm

Direct Drive	Operating voltage	Operating Speed*(RPM)	Static Pressure in Inches wg							
			0	0.125	0.25	0.375	0.5	0.75	1	
100% Speed Controllable Motor	230	146	CFM	681	648	615	587	561	477	319
			SONES	8.4	9.7	9.7	9.7	9.2	8.9	8.9
			WATTS	250.0	244.9	239.7	234.4	229.2	214.3	191.7

*Speed [rpm or rps] shown is nominal. Performance is based on actual speed of test



Speed Controller

Reducing Speed for fan . Available for Use with External rotor motors.
 They provide an economical means of system balancing with direct drive fans.

Disconnecting Switch

A wide range selection of NEMA rated Switches are available for positive electrical shutoff and safety , including dust tight,rainproof,corrosion resistant.

Switches may be internally or externally mounted.



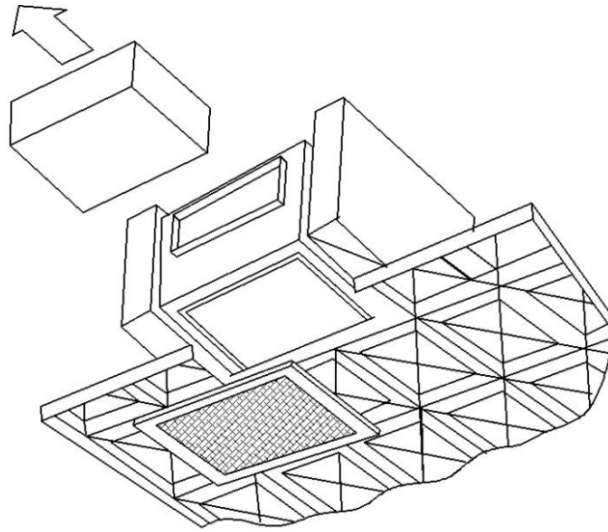
Saudi silent fans shall be Ceiling mounted , inline cabinet mounted , or wall mounted type (upon request) completed with a direct drive /close coupled centrifugal fan with either single width single inlet (**G**) or double width double inlet (**D**) where required .

Motor power supply shall be 230 V-1 Ph- 50 Hz or 60 Hz.

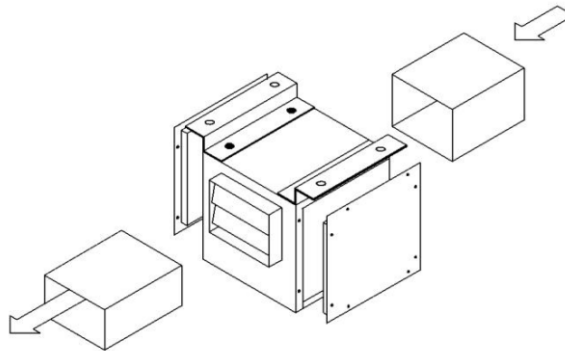
- The direct drive motor shall be external rotor motor type and shall have an aluminium casing . Fan motor speed shall be selected as 2 pole motor or 4 pole motor . The motor shall be compatible with ordinary electronic speed controllers, where necessary the insulation Class will be “B” or greater with built-in thermal overload protection .
- The centrifugal wheel shall be made from galvanized steel sheet and shall be balanced per DIN/ISO 1940 G2.5 standard.
- The scroll housing shall be either aluminium die casted or GI and shall be compact as one assembly together with the impeller & motor .
- The complete fan shall be assembled into rectangular housing made from galvanized steel sheet having grade G90 and shall be insulated with rigid fibre glass wool x 48 kg / m³ density X 12 mm thick re-inforced with a black mat facing .
- Where ceiling type exhaust fan is required , the manufacturer shall provide a decorative grill made from aluminium and shall be finished with powder coating . The outlet design shall be available at either round design or rectangular design.
- The fan casing shall be fitted with an integral aluminium back draft damper at fan discharge to avoid entry of dust during “Off –cycle”.



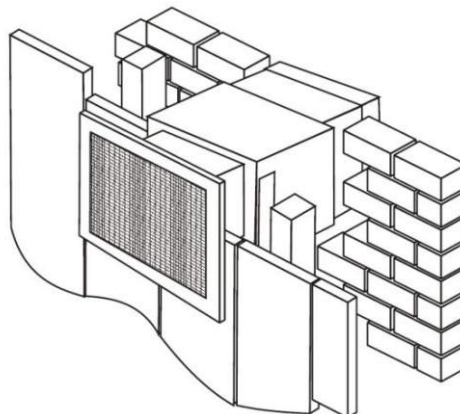
Ceiling Installation



Cabinet Inline installation

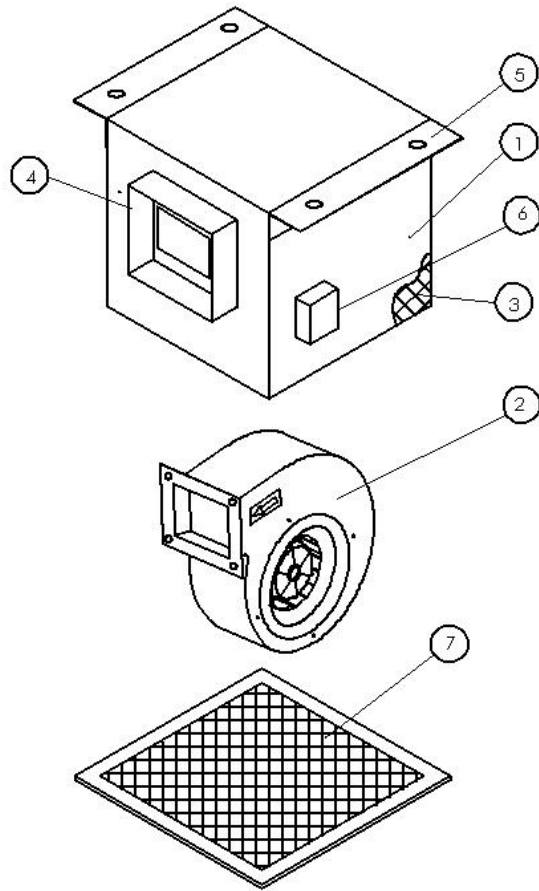


Wall installation – Custom made upon request



Ceiling Fan

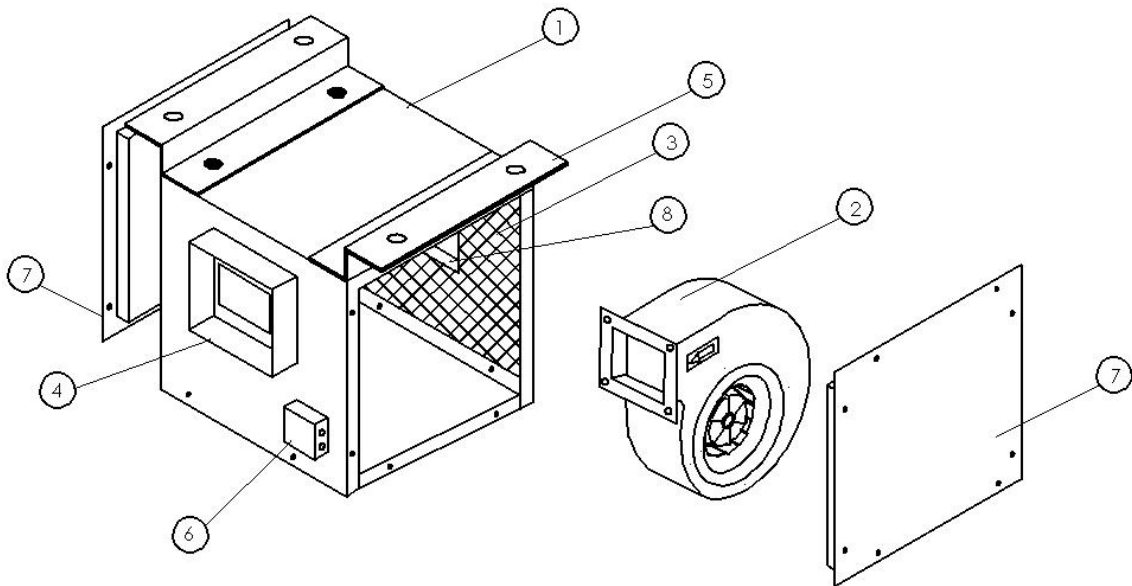
1. Fan Housing Assembly .
2. Fan Motor Assembly
3. Acoustic Liner
4. Outlet Duct Connection
5. Mounting Bracket
6. Electrical Connection Box
7. Grill



Cabinet Inline Fan

1. Fan Housing Assembly .
2. Fan Motor Assembly
3. Acoustic Liner
4. Outlet Duct Connection

5. Mounting Bracket
6. Electrical Connection Box
7. Access Door
8. Inlet Duct Connection



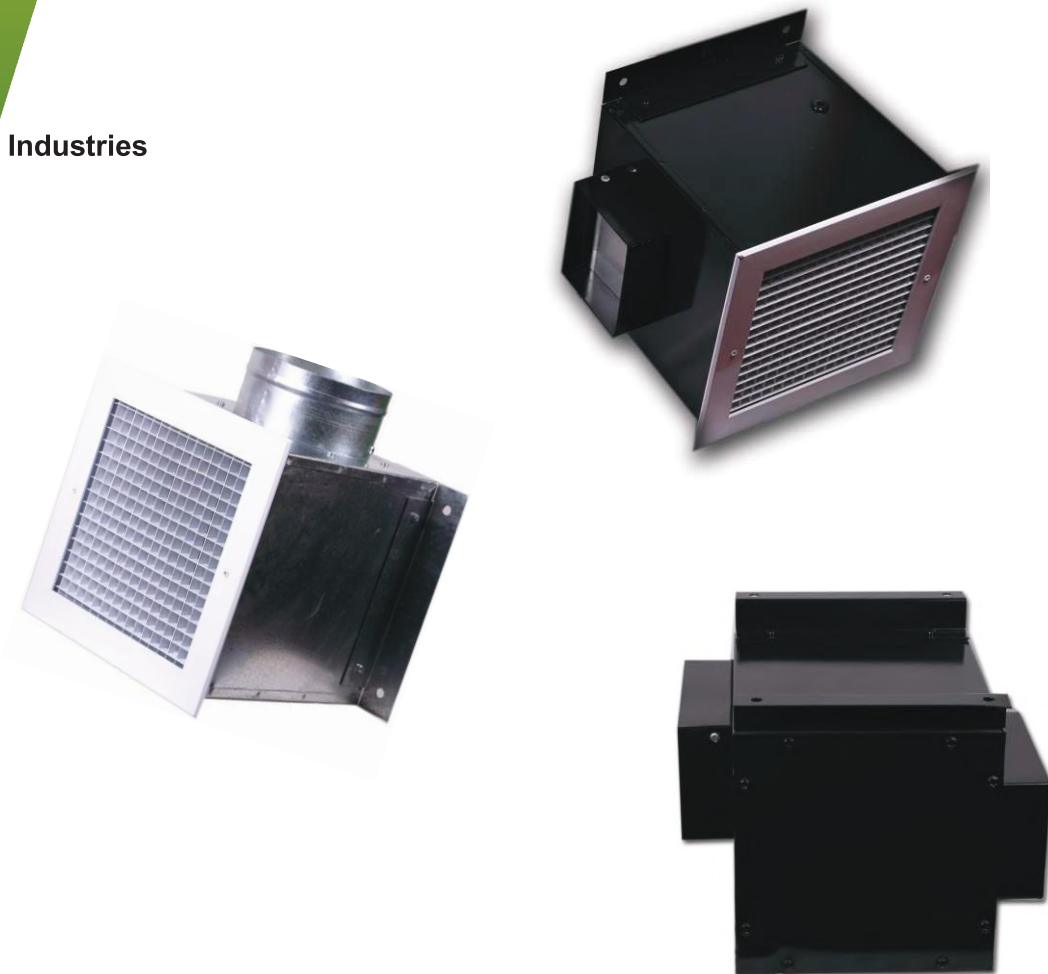
Warranty

Saudi Fan Industries warrants this equipment to be free from defects in material and workmanship for a period of One year from the Delivery date .

Terms :

- This warranty will cover for defective parts only excluding labour.
- The warranty does not cover the following
 - a. Defects or malfunction resulting from mishandling&improper operation
 - b. Damage caused by abuse, accident,fire,flood.....etc :and
 - c. Defects due to absence of magnetic starters sized to correct overload rating
- Any units or parts ,which proved defective during the warranty period will be replaced at our option when returned to our factory .

Saudi Fan Industries



For contacts & inquiry

Refrigeration House Group
P. O. Box 1823 - Al-Khobar 31952
SAUDI ARABIA

■ **Head Office (Sales & Marketing)**
Tel. : (03) 882 1713 - 882 3515 Fax : (03) 882 3066
E-mail : sales@refhouse.com / rhadmin@refhouse.com

■ **Manufacturing Divisions**
Dammam 2nd Industrial City
National Factory Tel. : (03) 812 1282 Fax : (03) 812 1280
Saudi Fan Industries Tel. : (03) 812 1866 Fax : (03) 812 1894

■ **Contracting Divisions**
Klimatechnik Tel. : (03) 882 3534 Fax : (03) 882 2807
Riyadh Tel. : (01) 465 6198 Fax : (01) 462 8347

■ **Trading Divisions**
Refrigeration House
Al-Khobar Tel. : (03) 869 1043 Fax : (03) 898 4161
Riyadh Tel. : (01) 476 9720 Fax : (01) 477 5430
Jeddah Tel. : (02) 665 2276 Fax : (02) 661 2265

www.refhouse.com





Centrifugal Roof Fan
Direct Drive DH / DV



Centrifugal Roof Fan
Belt & Direct Driven /RTC



Centrifugal Radial Fan
Direct Drive ERAE-ERAD / DRAS-DRAD



Centrifugal Radial Fan
Belt Driven HRE-TRE / HRZ-TRZ



Square Inline Fans
Belt & Direct Driven / ISG



Fresh Air Musfan
Belt & Direct Driven MU



Air Box Fresh Air Fan
Belt & Direct Driven AirBox



Centrifugal Twin Fan
Belt & Direct Driven TW



Axial Low Pressure Fan
Direct Drive EG / DG



Axial High Pressure Fan
Direct Drive AND



Inline Centrifugal Duct Fan
Direct Drive EKAE / EKAD



Inline Centrifugal Tube Fan
Direct Drive R / RS



Centrifugal Silent Fan
Direct Drive SSF



Axial Circulation Fan
Direct Drive SACF 30" - 36"



Axial Agricultural Fan
Direct Drive SAAF 125"



Axial Portable Tunnel Fan
Direct Drive SPTF 8"-12"