



MODEL SDB

BELT DRIVE CENTRIFUGAL DOWNBLAST ROOF EXHAUSTERS

MODEL SDB - BELT DRIVE CENTRIFUGAL ROOF EXHAUSTER




MODEL FEATURES

- Exhaust air up to 31,563 CFM in high static pressure applications up to 1-3/4 w.g.
- Attractive spun aluminum exterior
- Belt drives permit easy performance adjustments when needed
- Curved non-overloading backward inclined wheel for efficiency at higher static pressures
- AMCA Air and Sound Licensed
- cULus 705 Listed

MODEL OVERVIEW

Model SDB belt drive fans are designed to exhaust air up to 31,563 CFM in high static pressure applications to 1-3/4". The aluminum exterior provides an attractive appearance. Belt drive results in lower operating RPM and sound levels, making the Model SDB well suited to applications where quiet operation is important. Belt drive also permits easy performance adjustments when needed to balance the total ventilation system. The non-overloading backward inclined wheel with its higher static pressure capability makes this unit suitable for either ducted or non-ducted applications. It's roof mounting permits location near the area to be ventilated, allowing short duct runs and more efficient operation.

SDBs are primarily used for the exhaust of relatively clean air from a wide range of commercial, industrial and institutional environments such as manufacturing and assembly plants, office buildings, schools, hospitals, restaurants, athletic facilities and many others.



Model SDB is available in our Quickship program. Sizes 6-24 are available for next day, 3-day or 10-day shipping from stock.

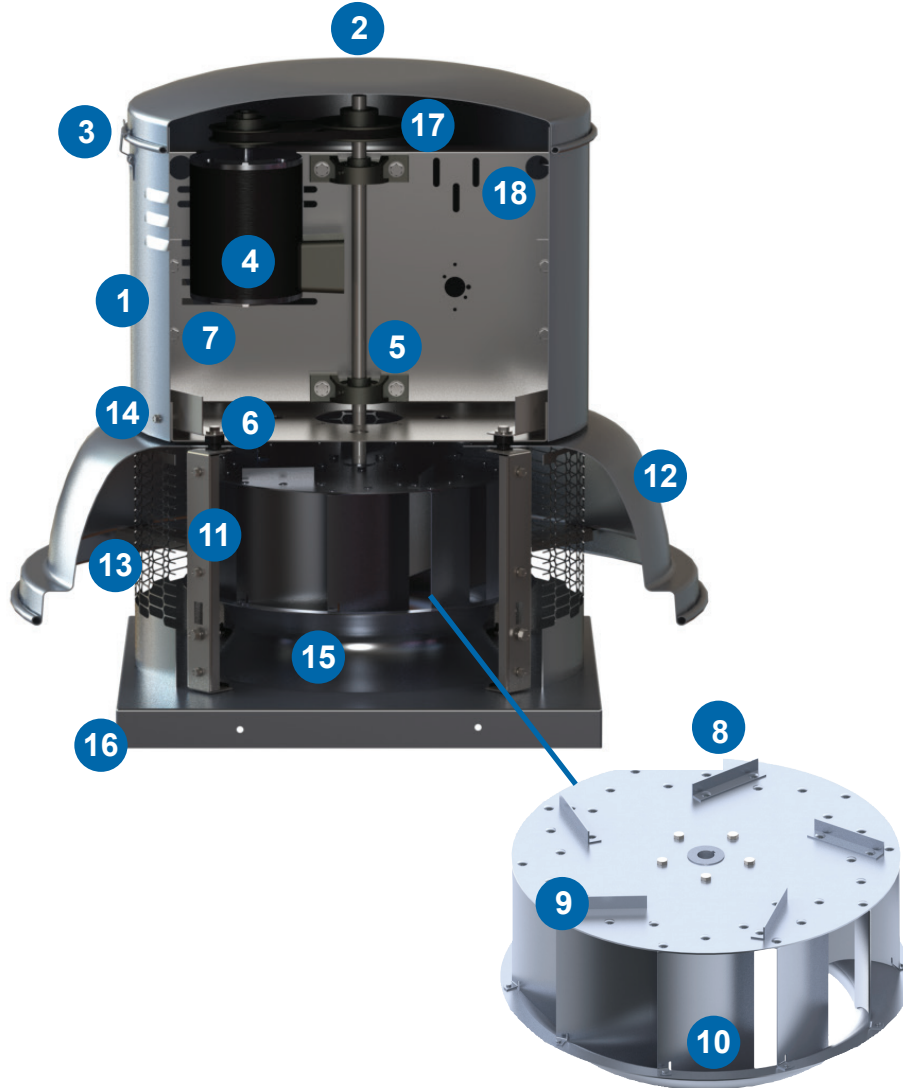
Industry best 5 year fan housing warranty, 1 year motor warranty



SDB Model Overview & Construction Features

Model SDB - Belt Drive

Size Range	6, 7, 8, 10, 12, 14, 15, 16, 18, 20, 22, 24, 27, 30, 33, 36, 42, & 48
Motor HP Range	1/4 to 7 1/2
CFM Range	41 to 31,563
Static Pressure	up to 1-3/4 in. w.g.
Warranty	5 years



Applications

General Purpose Exhaust - Clean Air

- Bathrooms
- Garages
- General (non-grease) Kitchen Areas
- Offices
- Dormitories
- Manufacturing and Assembly plants
- Warehouse
- Places of Worship
- Schools
- Many More



Downblast Model Overview & Construction Features

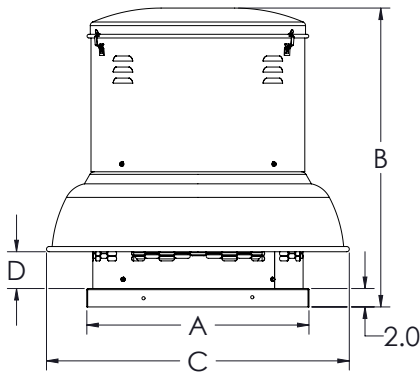
#	Feature	Description
1	Motor Cover	Heavy-gauge aluminum motor cover provides weather protection for motor compartment.
2	Motor Cover Cap	Heavy-gauge aluminum top with rolled bead for added strength and quick-release latches.
3	Quick-Release Latches	Stainless steel latches for easy removal of motor cover cap for access to the motor compartment and motor.
4	Motor	Open drip-proof enclosure standard, many other options available.
5	Bearings	Air handling ball bearing type with cast iron housing and grease fittings.
6	Vibration Isolators	Neoprene (rubber) vibration isolators to reduce vibration and noise.
7	Motor Mounting Plate	Heavy-gauge galvanized motor mounting plate.
8	Wheel	Aluminum, non-overloading, backward-inclined curved centrifugal wheel for maximum efficiency. Each wheel is dynamically balanced for smooth operation and long life.
9	Cooling Vanes	Helps promote cooling of the motor and drive by pulling air through the motor compartment. Helps maximize the life of the motor and drives.
10	Curved Blades	Designed to provide more CFM per HP and lower sound levels.
11	Support Legs	4 heavy-gauge galvanized support legs to anchor the motor plate to the fan base for stability and vibration reduction.
12	Fan Skirt	Aluminum fan skirt with rolled bead for extra strength. Fan skirt directs the exhausted air downward.
13	Birdscreen	Aluminum birdscreen standard to protect the fan from birds and other large objects.
14	Exterior Fasteners	Stainless steel.
15	Inlet Venturi	Deep spun single piece inlet venturi for optimum air and sound performance
16	Curb Cap	Fully welded curb cap for rigidity and weather protection. Pre-punched mounting holes for ease of installation.
17	Drives	Sized for 150% of drive HP, adjustable pitch motor sheaves.
18	Lifting Lugs	Standard on all belt drive models, SDB, for easy and safe placement of the fan on roof.
19	Disconnect Switch (not shown)	Standard with ODP and TE single speed motors. Ships loose.



DIMENSIONS

Dimensions in Inches

Model SDB: Belt Drive Centrifugal Downblast



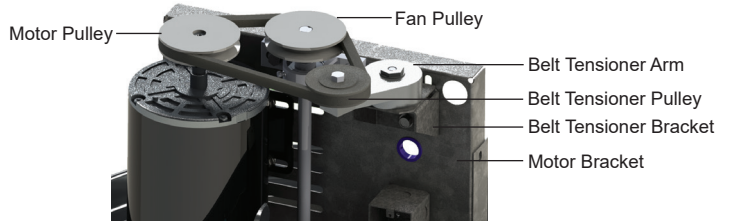
Size	A	B	C	D	Roof Opening	Curb O.D.	Damper (O.D.)	Approximate Ship Wt. Lbs.
6	18	30 1/8	25	3 3/8	13 1/2	16 1/2	12	62
7	18	30 1/8	25	3 3/8	13 1/2	16 1/2	12	62
8	18	30 1/8	25	3 3/8	13 1/2	16 1/2	12	65
10	18	30 1/8	25	3 3/8	13 1/2	16 1/2	12	66
12	20	31 11/16	27 5/8	3 7/8	15 1/2	18 1/2	14	73
14	20	31 11/16	27 5/8	3 7/8	15 1/2	18 1/2	14	80
15	24	32 1/2	32 7/8	4	19 1/2	22 1/2	18	90
16	24	32 1/2	32 7/8	4	19 1/2	22 1/2	18	90
18	30	36 3/8	39 3/16	4 5/8	25 1/5	28 1/2	24	134
20	30	38 5/16	45	6 1/8	25 1/5	28 1/2	24	142
22	30	38 5/16	45	6 1/8	25 1/5	28 1/2	24	142
24	36	46 5/8	49 3/8	6	31 1/2	34 1/2	30	187
27	36	49 1/16	49 3/8	8 1/2	31 1/2	34 1/2	30	195
30	42	50 1/4	56	7 3/8	37 1/2	40 1/2	36	277
33	42	50 1/4	56	7 3/8	37 1/2	40 1/2	36	279
36	42 5/16	48 7/8	64 1/4	7	37 1/2	40 1/2	36	330
42	54 1/4	54 7/8	71 3/16	11 1/2	49 1/2	52 1/2	48	477
48	54 1/4	58 1/8	78 3/16	12 7/8	49 1/2	52 1/2	48	522

*Approximate unit weight includes the largest cataloged open drip proof motor, drives (if applicable), less crating.

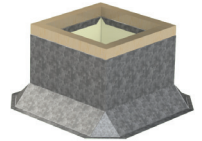


OPTIONS/ACCESSORIES

Automatic Belt Tensioner (SDB): Available on sizes 6-16, The Automatic Belt Tensioners eliminate the need for regular manual retensioning of drives, and the risk of inadvertently over-tensioning drive components is avoided and overall drive operating efficiency is enhanced. Benefits include reduction in startup and maintenance costs, increased belt life, increased drive efficiency, and ensure drive components do not snag obstructions.



Roof Curb: Prefabricated heavy-gauge galvanized steel, welded construction, 12" high (other heights are also available) with 1-1/2" wood nailer. Assures perfect fit of exhauster to roof opening. Options include burglar bars, single or double pitch construction and hinged curbs for easy duct access.



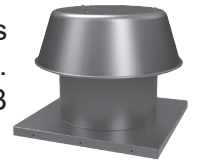
Sound Curb: Option of thermal acoustical lining or a complete maximum sound attenuating baffle system. Provision for mounting damper is available. Contact factory for information regarding effect on exhauster air performance and sound level.

Motor Operated Damper: Motor operated aluminum damper for positive closure against backdraft.



Automatic Damper: Automatic aluminum damper for ease in installation and effective backdraft protection.

Companion Gravity Units: Model RCX-II comes in a wide range of sizes and air capacities to provide relief or intake air to the system. Curbs and dampers are available to fit all sizes. Spun aluminum hoods provide a pleasing appearance, complementing the Model SDBD & SDB exhausters.



Special Coatings: Powered roof exhausters often require special coatings for protective and decorative purposes. Available coatings include: Synthetic Resin, Epoxy, and Heresite (air-dried phenolic). Contact your representative or the factory for more information on available coatings and colors.

Curb Hinge Arrangement: The curb hinge arrangement provides easy access to the exhaust fan, backdraft damper, and duct for servicing and cleaning.



CONSTRUCTION/SPECIFICATION CHECKLIST

Housing

- Curb cap has integral deep spun inlet for efficient performance and prepunched mounting holes for ease of installation.
- Lifting lugs for easy and safe placement of the fan on the roof.
- Spun aluminum hood and skirt for weather protection and attractive appearance.
- Heavy-gauge motor support for rigidity and strength.
- Neoprene isolators for reduction of vibration and sound.
- Quick-Release latches on motor cover for easy access to motor compartment.
- Conduit passage for easy electrical connection from below roof.
- Aluminum birdscreen is standard.
- Stainless steel fasteners on exterior.

Centrifugal Wheel

- All aluminum wheel.
- Backward-inclined for efficiency at higher static pressure.
- Non-overloading for safe operation in ducted systems.
- Curved blades for efficiency and quiet operation.
- Dynamically balanced for smooth operation.

Motors

- 1 year warranty.
- Brands are nationally recognized and locally serviced.
- Single speed open drip-proof are standard.
- Explosion-proof, totally enclosed and two-speed motors are available.
- All motors are rated for continuous duty.
- 182T and larger motors shipped unmounted for field installation.
- Disconnect switch standard on single speed drip-proof and totally enclosed motors.

Drives

- Sized for minimum 150% of drive horsepower.
- Machined cast iron adjustable motor pulleys.
- Adjustable base for belt tensioning.
- Non-static oil resistant V-Belts.

Bearings

- 5 year bearing warranty.
- Heavy-duty ball bearing type.
- Air handling with grease fittings.
- Sized for a minimum L50 life in excess of 200,000 hours.

AMCA Seal

- Assures accuracy of Air and Sound Performance.

cULus Label

- cULus 705 listing assures electrical safety and reliability.
- cULus 705 must be specified when required.



SIZE 6

Motor HP	RPM		Static Pressure in Inches w.g.							
			0	0.125	0.25	0.375	0.5	0.625	0.75	0.875
1/4	700	CFM	131	41	-	-	-	-	-	-
		BHP	0.01	0.01	-	-	-	-	-	-
		Sones	1.2	1.2	-	-	-	-	-	-
1/4	850	CFM	159	104	-	-	-	-	-	-
		BHP	0.01	0.02	-	-	-	-	-	-
		Sones	2.1	2.0	-	-	-	-	-	-
1/4	900	CFM	169	118	-	-	-	-	-	-
		BHP	0.02	0.02	-	-	-	-	-	-
		Sones	2.4	2.3	-	-	-	-	-	-
1/4	1000	CFM	187	144	63	-	-	-	-	-
		BHP	0.02	0.03	0.03	-	-	-	-	-
		Sones	3.1	2.8	3.1	-	-	-	-	-
1/4	1100	CFM	206	167	112	-	-	-	-	-
		BHP	0.03	0.03	0.03	-	-	-	-	-
		Sones	3.9	3.6	3.8	-	-	-	-	-
1/4	1200	CFM	225	189	146	64	-	-	-	-
		BHP	0.04	0.04	0.04	0.04	-	-	-	-
		Sones	4.8	4.5	4.6	4.9	-	-	-	-
1/4	1300	CFM	244	212	174	116	-	-	-	-
		BHP	0.05	0.05	0.06	0.06	-	-	-	-
		Sones	5.8	5.5	5.4	5.7	-	-	-	-
1/4	1400	CFM	262	234	200	157	81	-	-	-
		BHP	0.07	0.07	0.07	0.07	0.07	-	-	-
		Sones	6.8	6.5	6.4	6.6	6.8	-	-	-
1/4	1500	CFM	281	255	223	188	133	56	-	-
		BHP	0.08	0.08	0.08	0.09	0.09	0.09	-	-
		Sones	7.9	7.6	7.4	7.5	7.7	7.9	-	-
1/4	1600	CFM	300	275	246	215	176	109	-	-
		BHP	0.10	0.10	0.10	0.10	0.11	0.11	-	-
		Sones	8.7	8.4	8.2	8.2	8.4	8.6	-	-
1/4	1700	CFM	319	295	268	241	208	160	92	-
		BHP	0.12	0.12	0.12	0.12	0.12	0.13	0.13	-
		Sones	9.5	9.2	8.9	9.0	9.1	9.2	9.4	-
1/4	1800	CFM	337	315	291	265	235	201	144	80
		BHP	0.14	0.14	0.14	0.14	0.15	0.15	0.15	0.15
		Sones	10.3	10.0	9.7	9.7	9.8	9.9	10.1	10.2
1/4	1900	CFM	356	335	313	288	262	232	193	132
		BHP	0.16	0.16	0.17	0.17	0.17	0.17	0.18	0.18
		Sones	11.1	10.8	10.5	10.4	10.5	10.6	10.8	10.9
1/4	2000	CFM	375	355	335	310	288	260	229	184
		BHP	0.19	0.19	0.19	0.19	0.20	0.20	0.20	0.21
		Sones	12.0	11.7	11.4	11.2	11.3	11.3	11.5	11.6

Power Ratings (BHP) does not include drive losses.

Performance certified is for installation type A - free inlet, free outlet.

Performance ratings include the effects of birdscreen in the airstream.

The sound ratings shown are loudness values in fan sones @ 5' (1.5m) in a hemispherical free field calculated per AMCA Standard 301. Values shown are for: Installation Type A: free inlet hemispherical sone levels.



S&P USA Ventilation Systems, LLC., Div. of Soler & Palau Ventilation Group, certifies that the Models SDB shown herein are licensed to bear the AMCA Seal. The ratings shown are based on test and procedures performed in accordance with AMCA Publication 211 and AMCA Publication 311 and comply with the requirement of the AMCA Certified Ratings Program.



UL STANDARD 705



SIZE 7

Motor HP	RPM		Static Pressure in Inches w.g.							
			0	0.125	0.25	0.375	0.5	0.625	0.75	0.875
1/4	700	CFM	192	44	-	-	-	-	-	-
		BHP	0.01	0.01	-	-	-	-	-	-
		Sones	1.3	1.4	-	-	-	-	-	-
1/4	800	CFM	219	102	-	-	-	-	-	-
		BHP	0.01	0.01	-	-	-	-	-	-
		Sones	2.1	2.0	-	-	-	-	-	-
1/4	900	CFM	246	150	-	-	-	-	-	-
		BHP	0.02	0.02	-	-	-	-	-	-
		Sones	2.7	2.4	-	-	-	-	-	-
1/4	1000	CFM	274	191	68	-	-	-	-	-
		BHP	0.02	0.03	0.03	-	-	-	-	-
		Sones	3.3	3.0	3.4	-	-	-	-	-
1/4	1100	CFM	301	227	126	-	-	-	-	-
		BHP	0.03	0.03	0.04	-	-	-	-	-
		Sones	4.0	3.7	4.1	-	-	-	-	-
1/4	1200	CFM	328	260	180	69	-	-	-	-
		BHP	0.04	0.04	0.05	0.05	-	-	-	-
		Sones	5.1	4.7	4.9	5.3	-	-	-	-
1/4	1300	CFM	356	293	224	127	-	-	-	-
		BHP	0.05	0.06	0.06	0.06	-	-	-	-
		Sones	6.1	5.7	5.7	6.1	-	-	-	-
1/4	1400	CFM	383	325	264	184	88	-	-	-
		BHP	0.07	0.07	0.07	0.07	0.07	-	-	-
		Sones	7.2	6.8	6.6	6.9	7.3	-	-	-
1/4	1500	CFM	411	357	301	234	146	-	-	-
		BHP	0.08	0.08	0.09	0.09	0.09	-	-	-
		Sones	8.5	8.1	7.7	7.9	8.3	-	-	-
1/4	1600	CFM	438	388	336	277	204	119	-	-
		BHP	0.10	0.10	0.10	0.11	0.11	0.11	-	-
		Sones	9.3	8.9	8.5	8.6	8.9	9.2	-	-
1/4	1700	CFM	465	419	369	318	256	177	-	-
		BHP	0.12	0.12	0.12	0.13	0.13	0.13	-	-
		Sones	10.1	9.7	9.4	9.2	9.5	9.8	-	-
1/4	1800	CFM	493	449	402	356	300	234	158	-
		BHP	0.14	0.14	0.15	0.15	0.15	0.15	0.16	-
		Sones	10.9	10.6	10.2	9.9	10.1	10.4	10.7	-
1/4	1900	CFM	520	478	434	391	342	286	216	145
		BHP	0.16	0.17	0.17	0.17	0.18	0.18	0.18	0.18
		Sones	11.7	11.4	11.1	10.8	10.8	11.1	11.3	11.6
1/4	2000	CFM	547	507	466	425	381	330	272	202
		BHP	0.19	0.19	0.20	0.20	0.20	0.21	0.21	0.21
		Sones	12.5	12.2	11.9	11.7	11.5	11.7	12.0	12.3

Power Ratings (BHP) does not include drive losses.

Performance certified is for installation type A - free inlet, free outlet.

Performance ratings include the effects of birdscreen in the airstream.

The sound ratings shown are loudness values in fan sones @ 5' (1.5m) in a hemispherical free field calculated per AMCA Standard 301. Values shown are for: Installation Type A: free inlet hemispherical sone levels.



S&P USA Ventilation Systems, LLC., Div. of Soler & Palau Ventilation Group, certifies that the Models SDB shown herein are licensed to bear the AMCA Seal. The ratings shown are based on test and procedures performed in accordance with AMCA Publication 211 and AMCA Publication 311 and comply with the requirement of the AMCA Certified Ratings Program.





MODEL SDB
BELT DRIVE CENTRIFUGAL DOWNBLAST ROOF EXHAUSTER



SIZE 8

Motor HP	RPM		Static Pressure in Inches w.g.								
			0	0.125	0.25	0.375	0.5	0.625	0.75	0.875	1
1/4	700	CFM	377	194	-	-	-	-	-	-	-
		BHP	0.01	0.01	-	-	-	-	-	-	-
		Sones	2.0	1.4	-	-	-	-	-	-	-
1/4	800	CFM	431	302	-	-	-	-	-	-	-
		BHP	0.02	0.02	-	-	-	-	-	-	-
		Sones	2.9	2.4	-	-	-	-	-	-	-
1/4	900	CFM	485	378	-	-	-	-	-	-	-
		BHP	0.02	0.03	-	-	-	-	-	-	-
		Sones	3.8	3.1	-	-	-	-	-	-	-
1/4	1000	CFM	539	445	293	-	-	-	-	-	-
		BHP	0.03	0.03	0.04	-	-	-	-	-	-
		Sones	4.6	3.9	3.6	-	-	-	-	-	-
1/4	1100	CFM	593	508	403	-	-	-	-	-	-
		BHP	0.04	0.04	0.05	-	-	-	-	-	-
		Sones	5.4	4.7	4.6	-	-	-	-	-	-
1/4	1200	CFM	647	570	481	310	-	-	-	-	-
		BHP	0.05	0.05	0.06	0.06	-	-	-	-	-
		Sones	6.3	5.7	5.6	5.2	-	-	-	-	-
1/4	1300	CFM	701	630	553	450	-	-	-	-	-
		BHP	0.06	0.07	0.07	0.08	-	-	-	-	-
		Sones	7.2	6.8	6.6	6.4	-	-	-	-	-
1/4	1400	CFM	754	688	620	535	-	-	-	-	-
		BHP	0.08	0.08	0.09	0.10	-	-	-	-	-
		Sones	8.3	7.9	7.6	7.6	-	-	-	-	-
1/4	1500	CFM	808	746	684	612	519	-	-	-	-
		BHP	0.10	0.10	0.11	0.12	0.12	-	-	-	-
		Sones	9.5	9.0	8.6	8.7	8.5	-	-	-	-
1/4	1600	CFM	862	803	747	683	605	492	-	-	-
		BHP	0.12	0.12	0.13	0.14	0.14	0.14	-	-	-
		Sones	10.4	10.0	9.6	9.5	9.5	9.1	-	-	-
1/4	1700	CFM	916	860	808	750	683	602	445	-	-
		BHP	0.14	0.15	0.16	0.16	0.17	0.17	0.17	-	-
		Sones	11.6	10.9	10.6	10.4	10.4	10.2	9.9	-	-
1/4	1800	CFM	970	917	868	814	755	685	598	395	-
		BHP	0.17	0.18	0.18	0.19	0.20	0.20	0.20	0.19	-
		Sones	12.8	12.1	11.6	11.3	11.3	11.3	10.9	10.6	-
1/4	1900	CFM	1024	973	927	877	824	763	693	592	-
		BHP	0.20	0.21	0.21	0.22	0.23	0.24	0.24	0.24	-
		Sones	13.8	13.2	12.6	12.3	12.2	12.2	12.1	11.8	-
1/3	2000	CFM	1078	1029	985	939	890	836	773	702	586
		BHP	0.23	0.24	0.25	0.25	0.27	0.27	0.28	0.28	0.28
		Sones	15.0	14.3	13.8	13.3	13.1	13.1	13.2	12.9	12.7
1/3	2100	CFM	1132	1085	1043	1000	954	905	850	787	712
		BHP	0.26	0.28	0.28	0.29	0.30	0.31	0.32	0.32	0.33
		Sones	16.1	15.5	15.0	14.5	14.0	14.1	14.1	14.1	13.8

Power Ratings (BHP) does not include drive losses.

Performance certified is for installation type A - free inlet, free outlet.

Performance ratings include the effects of birdscreen in the airstream.

The sound ratings shown are loudness values in fan sones @ 5' (1.5m) in a hemispherical free field calculated per AMCA Standard 301. Values shown are for: Installation Type A: free inlet hemispherical sone levels.



S&P USA Ventilation Systems, LLC., Div. of Soler & Palau Ventilation Group, certifies that the Models SDB shown herein are licensed to bear the AMCA Seal. The ratings shown are based on test and procedures performed in accordance with AMCA Publication 211 and AMCA Publication 311 and comply with the requirement of the AMCA Certified Ratings Program.





MODEL SDB

BELT DRIVE CENTRIFUGAL DOWNBLAST ROOF EXHAUSTER



SIZE 10

Motor HP	RPM		Static Pressure in Inches w.g.								
			0	0.125	0.25	0.375	0.5	0.625	0.75	0.875	1
1/4	700	CFM	586	423	-	-	-	-	-	-	-
		BHP	0.02	0.02	-	-	-	-	-	-	-
		Sones	3.1	2.6	-	-	-	-	-	-	-
1/4	800	CFM	669	537	244	-	-	-	-	-	-
		BHP	0.02	0.03	0.03	-	-	-	-	-	-
		Sones	4.1	3.5	3.5	-	-	-	-	-	-
1/4	900	CFM	753	639	479	-	-	-	-	-	-
		BHP	0.03	0.04	0.05	-	-	-	-	-	-
		Sones	5.1	4.5	4.3	-	-	-	-	-	-
1/4	1000	CFM	837	737	610	374	-	-	-	-	-
		BHP	0.05	0.06	0.06	0.06	-	-	-	-	-
		Sones	6.0	5.5	5.2	5.3	-	-	-	-	-
1/4	1100	CFM	920	832	725	583	-	-	-	-	-
		BHP	0.06	0.07	0.08	0.08	-	-	-	-	-
		Sones	7.1	6.6	6.4	6.3	-	-	-	-	-
1/4	1200	CFM	1004	924	830	717	562	-	-	-	-
		BHP	0.08	0.09	0.10	0.11	0.11	-	-	-	-
		Sones	8.3	7.8	7.5	7.3	7.4	-	-	-	-
1/4	1300	CFM	1088	1014	931	836	716	513	-	-	-
		BHP	0.10	0.11	0.12	0.13	0.14	0.14	-	-	-
		Sones	9.6	9.1	8.8	8.6	8.5	8.7	-	-	-
1/4	1400	CFM	1171	1104	1029	945	846	725	-	-	-
		BHP	0.13	0.14	0.15	0.16	0.17	0.17	-	-	-
		Sones	11.1	10.5	10.1	10.0	9.8	9.9	-	-	-
1/3	1500	CFM	1255	1192	1124	1048	964	863	744	-	-
		BHP	0.16	0.17	0.18	0.19	0.20	0.21	0.21	-	-
		Sones	12.6	12.1	11.5	11.4	11.3	11.2	11.3	-	-
1/3	1600	CFM	1339	1280	1217	1148	1073	988	888	768	-
		BHP	0.19	0.21	0.22	0.23	0.24	0.25	0.26	0.26	-
		Sones	13.8	13.3	12.8	12.6	12.5	12.3	12.3	12.4	-
1/3	1700	CFM	1422	1368	1309	1246	1177	1103	1018	920	801
		BHP	0.23	0.24	0.26	0.27	0.28	0.30	0.31	0.31	0.31
		Sones	15.1	14.6	14.1	13.8	13.7	13.5	13.4	13.5	13.6

Power Ratings (BHP) does not include drive losses.

Performance certified is for installation type A - free inlet, free outlet.

The sound ratings include the effects of birdscreen in the airstream.

The sound ratings shown are loudness values in fan sones @ 5' (1.5m) in a hemispherical free field calculated per AMCA Standard 301. Values shown are for: Installation Type A: free inlet hemispherical sone levels.



S&P USA Ventilation Systems, LLC., Div. of Soler & Palau Ventilation Group, certifies that the Models SDB shown herein are licensed to bear the AMCA Seal. The ratings shown are based on test and procedures performed in accordance with AMCA Publication 211 and AMCA Publication 311 and comply with the requirement of the AMCA Certified Ratings Program.





SIZE 12

Motor HP	RPM		Static Pressure in Inches w.g.										
			0	0.125	0.25	0.375	0.5	0.625	0.75	0.875	1	1.25	
1/4	600	CFM	660	425	-	-	-	-	-	-	-	-	-
		BHP	0.01	0.02	-	-	-	-	-	-	-	-	-
		Sones	2.5	2.1	-	-	-	-	-	-	-	-	-
1/4	700	CFM	770	585	-	-	-	-	-	-	-	-	-
		BHP	0.02	0.03	-	-	-	-	-	-	-	-	-
		Sones	3.5	3.2	-	-	-	-	-	-	-	-	-
1/4	800	CFM	880	726	509	-	-	-	-	-	-	-	-
		BHP	0.03	0.04	0.05	-	-	-	-	-	-	-	-
		Sones	4.5	4.2	3.9	-	-	-	-	-	-	-	-
1/4	900	CFM	990	859	690	-	-	-	-	-	-	-	-
		BHP	0.05	0.06	0.07	-	-	-	-	-	-	-	-
		Sones	5.6	5.3	5.0	-	-	-	-	-	-	-	-
1/4	1000	CFM	1100	987	842	665	-	-	-	-	-	-	-
		BHP	0.07	0.08	0.09	0.09	-	-	-	-	-	-	-
		Sones	6.6	6.4	6.1	5.9	-	-	-	-	-	-	-
1/4	1100	CFM	1210	1108	983	842	638	-	-	-	-	-	-
		BHP	0.09	0.10	0.11	0.12	0.12	-	-	-	-	-	-
		Sones	7.7	7.5	7.2	7.0	6.8	-	-	-	-	-	-
1/4	1200	CFM	1320	1227	1119	995	850	-	-	-	-	-	-
		BHP	0.11	0.13	0.14	0.15	0.16	-	-	-	-	-	-
		Sones	8.9	8.7	8.4	8.2	8.0	-	-	-	-	-	-
1/4	1300	CFM	1430	1343	1251	1138	1020	876	-	-	-	-	-
		BHP	0.15	0.16	0.17	0.19	0.19	0.20	-	-	-	-	-
		Sones	10.2	10.0	9.7	9.4	9.2	9.1	-	-	-	-	-
1/4	1400	CFM	1540	1459	1378	1277	1170	1053	913	-	-	-	-
		BHP	0.18	0.20	0.21	0.23	0.24	0.25	0.25	-	-	-	-
		Sones	11.5	11.3	11.1	10.8	10.5	10.4	10.3	-	-	-	-
1/3	1500	CFM	1650	1574	1500	1411	1313	1212	1096	960	-	-	-
		BHP	0.22	0.24	0.26	0.27	0.28	0.30	0.30	0.31	-	-	-
		Sones	12.9	12.7	12.6	12.3	11.9	11.8	11.7	11.6	-	-	-
1/2	1600	CFM	1760	1689	1620	1542	1452	1358	1261	1147	1019	-	-
		BHP	0.27	0.29	0.31	0.32	0.34	0.35	0.36	0.37	0.37	-	-
		Sones	14.2	14.0	13.9	13.7	13.4	13.1	12.9	12.8	12.7	-	-
1/2	1700	CFM	1870	1803	1738	1669	1587	1500	1411	1318	1207	872	-
		BHP	0.32	0.34	0.36	0.38	0.40	0.41	0.43	0.44	0.44	0.44	0.43
		Sones	15.6	15.4	15.3	15.1	14.8	14.5	14.3	14.2	14.0	13.9	-

Power Ratings (BHP) does not include drive losses.

Performance certified is for installation type A - free inlet, free outlet.

Performance ratings include the effects of birdscreen in the airstream.

The sound ratings shown are loudness values in fan sones @ 5' (1.5m) in a hemispherical free field calculated per AMCA Standard 301. Values shown are for: Installation Type A: free inlet hemispherical sone levels.



S&P USA Ventilation Systems, LLC., Div. of Soler & Palau Ventilation Group, certifies that the Models SDB shown herein are licensed to bear the AMCA Seal. The ratings shown are based on test and procedures performed in accordance with AMCA Publication 211 and AMCA Publication 311 and comply with the requirement of the AMCA Certified Ratings Program.





SIZE 14

Motor HP	RPM		Static Pressure in Inches w.g.										
			0	0.125	0.25	0.375	0.5	0.625	0.75	0.875	1	1.25	1.5
1/4	550	CFM	1108	802	-	-	-	-	-	-	-	-	-
		BHP	0.03	0.03	-	-	-	-	-	-	-	-	-
		Sones	3.4	2.4	-	-	-	-	-	-	-	-	-
1/4	650	CFM	1309	1070	-	-	-	-	-	-	-	-	-
		BHP	0.04	0.05	-	-	-	-	-	-	-	-	-
		Sones	4.6	3.7	-	-	-	-	-	-	-	-	-
1/4	750	CFM	1511	1312	1048	-	-	-	-	-	-	-	-
		BHP	0.07	0.08	0.09	-	-	-	-	-	-	-	-
		Sones	6.2	5.2	4.8	-	-	-	-	-	-	-	-
1/4	850	CFM	1712	1539	1332	1016	-	-	-	-	-	-	-
		BHP	0.10	0.11	0.12	0.12	-	-	-	-	-	-	-
		Sones	7.8	6.8	6.1	6.0	-	-	-	-	-	-	-
1/4	950	CFM	1914	1759	1591	1382	-	-	-	-	-	-	-
		BHP	0.13	0.15	0.16	0.17	-	-	-	-	-	-	-
		Sones	9.1	8.3	7.5	7.1	-	-	-	-	-	-	-
1/4	1050	CFM	2115	1975	1831	1655	1446	-	-	-	-	-	-
		BHP	0.18	0.19	0.21	0.23	0.23	-	-	-	-	-	-
		Sones	10.6	9.8	9.1	8.7	8.4	-	-	-	-	-	-
1/3	1150	CFM	2316	2188	2060	1914	1745	1531	-	-	-	-	-
		BHP	0.23	0.25	0.27	0.29	0.30	0.31	-	-	-	-	-
		Sones	12.2	11.5	10.9	10.4	10.0	9.9	-	-	-	-	-
1/2	1250	CFM	2518	2399	2283	2157	2011	1852	1639	-	-	-	-
		BHP	0.30	0.31	0.34	0.36	0.38	0.39	0.40	-	-	-	-
		Sones	14.0	13.4	12.8	12.3	11.9	11.5	11.5	-	-	-	-
1/2	1350	CFM	2719	2609	2502	2390	2266	2122	1973	1770	-	-	-
		BHP	0.38	0.39	0.42	0.44	0.46	0.48	0.49	0.50	-	-	-
		Sones	16.1	15.5	14.8	14.3	13.9	13.4	13.1	13.1	-	-	-
3/4	1450	CFM	2921	2818	2718	2616	2507	2384	2248	2107	1918	-	-
		BHP	0.47	0.48	0.51	0.53	0.56	0.58	0.60	0.61	0.62	-	-
		Sones	18.1	17.5	17.0	16.4	16.0	15.6	15.3	14.9	14.9	-	-
3/4	1550	CFM	3122	3026	2931	2838	2739	2633	2512	2385	2252	1846	-
		BHP	0.57	0.59	0.61	0.64	0.67	0.70	0.72	0.74	0.75	0.75	-
		Sones	20.2	19.6	19.0	18.3	17.8	17.5	17.2	16.8	16.5	16.9	-
1	1650	CFM	3324	3233	3144	3056	2966	2871	2766	2651	2531	2251	1756
		BHP	0.69	0.71	0.73	0.76	0.79	0.82	0.85	0.87	0.89	0.91	0.87
		Sones	22.0	21.4	20.8	20.3	19.7	19.4	19.0	18.7	18.3	17.8	18.6
1	1750	CFM	3525	3440	3355	3273	3189	3102	3009	2908	2797	2568	2247
		BHP	0.83	0.84	0.86	0.89	0.93	0.96	0.99	1.02	1.04	1.07	1.08
		Sones	24.2	23.6	22.9	22.2	21.6	21.1	20.7	20.4	20.1	19.5	19.6

Power Ratings (BHP) does not include drive losses.

Performance certified is for installation type A - free inlet, free outlet.

Performance ratings include the effects of birdscreen in the airstream.

The sound ratings shown are loudness values in fan sones @ 5' (1.5m) in a hemispherical free field calculated per AMCA Standard 301. Values shown are for: Installation Type A: free inlet hemispherical sone levels.



S&P USA Ventilation Systems, LLC., Div. of Soler & Palau Ventilation Group, certifies that the Models SDB shown herein are licensed to bear the AMCA Seal. The ratings shown are based on test and procedures performed in accordance with AMCA Publication 211 and AMCA Publication 311 and comply with the requirement of the AMCA Certified Ratings Program.





SIZE 15

Motor HP	RPM		Static Pressure in Inches w.g.										
			0	0.125	0.25	0.375	0.5	0.625	0.75	0.875	1	1.25	1.5
1/4	500	CFM	1164	843	-	-	-	-	-	-	-	-	-
		BHP	0.02	0.03	-	-	-	-	-	-	-	-	-
		Sones	3.3	2.4	-	-	-	-	-	-	-	-	-
1/4	600	CFM	1396	1146	543	-	-	-	-	-	-	-	-
		BHP	0.04	0.05	0.05	-	-	-	-	-	-	-	-
		Sones	4.6	3.9	2.8	-	-	-	-	-	-	-	-
1/4	700	CFM	1629	1421	1168	-	-	-	-	-	-	-	-
		BHP	0.06	0.08	0.09	-	-	-	-	-	-	-	-
		Sones	6.1	5.5	4.6	-	-	-	-	-	-	-	-
1/4	800	CFM	1862	1685	1478	1206	-	-	-	-	-	-	-
		BHP	0.09	0.11	0.12	0.13	-	-	-	-	-	-	-
		Sones	7.9	7.2	6.6	5.6	-	-	-	-	-	-	-
1/4	900	CFM	2095	1944	1766	1570	1278	-	-	-	-	-	-
		BHP	0.13	0.15	0.17	0.18	0.19	-	-	-	-	-	-
		Sones	9.7	9.0	8.3	7.7	6.7	-	-	-	-	-	-
1/3	1000	CFM	2327	2197	2037	1870	1687	1393	-	-	-	-	-
		BHP	0.18	0.20	0.22	0.24	0.26	0.26	-	-	-	-	-
		Sones	11.1	10.5	10.0	9.5	8.7	7.9	-	-	-	-	-
1/3	1100	CFM	2560	2445	2301	2156	1996	1823	1553	-	-	-	-
		BHP	0.23	0.26	0.28	0.31	0.33	0.35	0.35	-	-	-	-
		Sones	12.7	12.2	11.7	11.2	10.7	9.9	9.1	-	-	-	-
1/2	1200	CFM	2793	2690	2562	2429	2291	2143	1980	1739	-	-	-
		BHP	0.30	0.33	0.36	0.38	0.41	0.43	0.45	0.45	-	-	-
		Sones	14.3	13.9	13.5	13.1	12.6	12.1	11.3	10.5	-	-	-
3/4	1300	CFM	3026	2932	2818	2694	2572	2441	2304	2152	1938	-	-
		BHP	0.39	0.42	0.44	0.47	0.50	0.53	0.55	0.57	0.57	-	-
		Sones	16.3	15.8	15.3	15.0	14.7	14.5	13.9	12.9	12.0	-	-
3/4	1400	CFM	3258	3172	3071	2956	2843	2728	2602	2476	2336	1876	-
		BHP	0.48	0.51	0.55	0.57	0.61	0.64	0.66	0.69	0.71	0.71	-
		Sones	18.6	18.1	17.7	17.3	17.0	16.9	16.7	16.1	14.9	13.2	-
1	1500	CFM	3491	3412	3321	3216	3107	3003	2893	2775	2657	2373	-
		BHP	0.59	0.63	0.66	0.69	0.72	0.76	0.79	0.82	0.84	0.88	-
		Sones	20.9	20.5	20.0	19.6	19.5	19.3	19.2	19.1	18.4	16.1	-
1	1600	CFM	3724	3650	3567	3472	3370	3271	3172	3067	2956	2729	2412
		BHP	0.72	0.76	0.79	0.83	0.86	0.89	0.93	0.96	0.99	1.05	1.07
		Sones	23.3	22.9	22.4	21.9	21.5	21.1	21.0	20.8	20.7	19.0	17.3

Power Ratings (BHP) does not include drive losses.

Performance certified is for installation type A - free inlet, free outlet.

Performance ratings include the effects of birdscreen in the airstream.

The sound ratings shown are loudness values in fan sones @ 5' (1.5m) in a hemispherical free field calculated per AMCA Standard 301. Values shown are for: Installation Type A: free inlet hemispherical sone levels.



S&P USA Ventilation Systems, LLC., Div. of Soler & Palau Ventilation Group, certifies that the Models SDB shown herein are licensed to bear the AMCA Seal. The ratings shown are based on test and procedures performed in accordance with AMCA Publication 211 and AMCA Publication 311 and comply with the requirement of the AMCA Certified Ratings Program.





SIZE 16

Motor HP	RPM		Static Pressure in Inches w.g.										
			0	0.125	0.25	0.375	0.5	0.625	0.75	0.875	1	1.25	1.5
1/4	550	CFM	1568	1275	-	-	-	-	-	-	-	-	-
		BHP	0.04	0.06	-	-	-	-	-	-	-	-	-
		Sones	4.4	3.5	-	-	-	-	-	-	-	-	-
1/4	650	CFM	1853	1614	1292	-	-	-	-	-	-	-	-
		BHP	0.07	0.08	0.10	-	-	-	-	-	-	-	-
		Sones	6.0	5.1	4.3	-	-	-	-	-	-	-	-
1/4	750	CFM	2139	1936	1702	1356	-	-	-	-	-	-	-
		BHP	0.10	0.12	0.14	0.15	-	-	-	-	-	-	-
		Sones	7.8	7.3	6.2	5.6	-	-	-	-	-	-	-
1/4	850	CFM	2424	2249	2052	1817	1502	-	-	-	-	-	-
		BHP	0.15	0.17	0.20	0.21	0.22	-	-	-	-	-	-
		Sones	9.5	8.9	8.1	7.3	6.9	-	-	-	-	-	-
1/3	950	CFM	2709	2556	2383	2198	1964	1678	-	-	-	-	-
		BHP	0.21	0.23	0.26	0.28	0.30	0.31	-	-	-	-	-
		Sones	11.2	10.7	10.1	9.2	8.6	8.2	-	-	-	-	-
1/2	1050	CFM	2994	2857	2704	2543	2368	2142	1878	-	-	-	-
		BHP	0.28	0.31	0.34	0.37	0.39	0.41	0.41	-	-	-	-
		Sones	12.9	12.5	12.1	11.3	10.5	10.0	9.6	-	-	-	-
3/4	1150	CFM	3279	3156	3019	2874	2724	2557	2345	2095	-	-	-
		BHP	0.37	0.40	0.43	0.46	0.49	0.52	0.53	0.54	-	-	-
		Sones	14.7	14.4	14.0	13.4	12.6	11.9	11.5	11.3	-	-	-
3/4	1250	CFM	3564	3452	3329	3197	3062	2921	2763	2568	2348	-	-
		BHP	0.47	0.51	0.54	0.58	0.61	0.64	0.66	0.68	0.70	-	-
		Sones	16.9	16.5	16.3	16.0	15.1	14.4	13.7	13.5	13.3	-	-
1	1350	CFM	3849	3746	3634	3514	3391	3264	3132	2983	2805	2402	-
		BHP	0.59	0.63	0.67	0.71	0.75	0.78	0.81	0.84	0.86	0.88	-
		Sones	19.4	19.2	18.9	18.6	18.0	17.3	16.5	15.8	15.5	15.1	-
1	1450	CFM	4135	4038	3936	3827	3713	3597	3478	3354	3216	2875	2467
		BHP	0.74	0.78	0.82	0.86	0.90	0.94	0.97	1.01	1.04	1.08	1.08
		Sones	22.2	21.9	21.7	21.5	21.3	20.4	19.6	18.8	18.0	17.5	17.0

Power Ratings (BHP) does not include drive losses.
 Performance certified is for installation type A - free inlet, free outlet.
 Performance ratings include the effects of birdscreen in the airstream.
 The sound ratings shown are loudness values in fan sones @ 5' (1.5m) in a hemispherical free field calculated per AMCA Standard 301. Values shown are for: Installation Type A: free inlet hemispherical sone levels.



S&P USA Ventilation Systems, LLC., Div. of Soler & Palau Ventilation Group, certifies that the Models SDB shown herein are licensed to bear the AMCA Seal. The ratings shown are based on test and procedures performed in accordance with AMCA Publication 211 and AMCA Publication 311 and comply with the requirement of the AMCA Certified Ratings Program.





SIZE 18

Motor HP	RPM		Static Pressure in Inches w.g.											
			0	0.125	0.25	0.375	0.5	0.625	0.75	0.875	1	1.25	1.5	1.75
1/4	550	CFM	2195	1889	1512	-	-	-	-	-	-	-	-	-
		BHP	0.10	0.11	0.12	-	-	-	-	-	-	-	-	-
		Sones	6.1	5.0	4.5	-	-	-	-	-	-	-	-	-
1/4	650	CFM	2594	2339	2074	1678	-	-	-	-	-	-	-	-
		BHP	0.16	0.18	0.19	0.20	-	-	-	-	-	-	-	-
		Sones	7.9	6.9	6.4	6.0	-	-	-	-	-	-	-	-
1/3	750	CFM	2993	2770	2542	2309	1934	1389	-	-	-	-	-	-
		BHP	0.25	0.27	0.29	0.30	0.30	0.28	-	-	-	-	-	-
		Sones	9.9	9.0	8.4	8.0	7.8	7.6	-	-	-	-	-	-
1/2	850	CFM	3392	3192	3001	2795	2581	2248	1835	-	-	-	-	-
		BHP	0.37	0.39	0.41	0.43	0.44	0.44	0.42	-	-	-	-	-
		Sones	12.5	11.5	10.7	10.3	9.9	9.7	9.6	-	-	-	-	-
3/4	950	CFM	3791	3610	3442	3260	3081	2883	2601	2250	1778	-	-	-
		BHP	0.51	0.53	0.56	0.58	0.60	0.62	0.62	0.61	0.57	-	-	-
		Sones	15.3	14.3	13.5	12.9	12.3	12.0	11.8	11.7	11.6	-	-	-
1	1050	CFM	4190	4026	3871	3716	3546	3387	3209	2974	2653	-	-	-
		BHP	0.69	0.72	0.74	0.77	0.79	0.82	0.83	0.84	0.83	-	-	-
		Sones	17.9	17.0	16.3	15.6	15.1	14.7	14.4	14.1	14.0	-	-	-
1-1/2	1150	CFM	4590	4439	4295	4157	4008	3852	3709	3550	3352	2797	-	-
		BHP	0.90	0.93	0.96	0.99	1.02	1.05	1.07	1.09	1.10	1.08	-	-
		Sones	20.3	19.6	18.9	18.3	17.7	17.3	17.0	16.7	16.5	16.2	-	-
1-1/2	1250	CFM	4989	4849	4715	4588	4459	4317	4174	4043	3901	3522	2992	2240
		BHP	1.16	1.19	1.23	1.26	1.29	1.32	1.35	1.37	1.40	1.41	1.39	1.27
		Sones	22.8	22.2	21.6	20.9	20.5	20.1	19.8	19.5	19.3	18.8	18.4	18.2
2	1350	CFM	5388	5258	5133	5013	4896	4772	4640	4507	4387	4113	3725	3231
		BHP	1.46	1.50	1.53	1.57	1.60	1.63	1.67	1.70	1.73	1.77	1.78	1.75
		Sones	25.4	24.8	24.2	23.7	23.2	22.9	22.6	22.3	22.1	21.5	21.2	20.9
2	1450	CFM	5787	5666	5548	5435	5326	5215	5098	4975	4850	4622	4347	3965
		BHP	1.81	1.85	1.89	1.92	1.96	2.00	2.03	2.07	2.10	2.16	2.20	2.21
		Sones	28.1	27.5	27.0	26.5	26.2	25.8	25.5	25.3	25.0	24.5	24.0	23.7

Power Ratings (BHP) does not include drive losses.
Performance certified is for installation type A - free inlet, free outlet.
Performance ratings include the effects of birdscreen in the airstream.
The sound ratings shown are loudness values in fan sones @ 5' (1.5m) in a hemispherical free field calculated per AMCA Standard 301. Values shown are for: Installation Type A: free inlet hemispherical sone levels.



S&P USA Ventilation Systems, LLC., Div. of Soler & Palau Ventilation Group, certifies that the Models SDB shown herein are licensed to bear the AMCA Seal. The ratings shown are based on test and procedures performed in accordance with AMCA Publication 211 and AMCA Publication 311 and comply with the requirement of the AMCA Certified Ratings Program.





MODEL SDB
BELT DRIVE CENTRIFUGAL DOWNBLAST ROOF EXHAUSTER



SIZE 20

Motor HP	RPM		Static Pressure in Inches w.g.											
			0	0.125	0.25	0.375	0.5	0.625	0.75	0.875	1	1.25	1.5	1.75
1/4	500	CFM	2503	2136	1728	-	-	-	-	-	-	-	-	-
		BHP	0.11	0.12	0.14	-	-	-	-	-	-	-	-	-
		Sones	4.8	4.5	4.2	-	-	-	-	-	-	-	-	-
1/4	550	CFM	2754	2418	2065	-	-	-	-	-	-	-	-	-
		BHP	0.14	0.16	0.18	-	-	-	-	-	-	-	-	-
		Sones	5.8	5.5	5.1	-	-	-	-	-	-	-	-	-
1/4	600	CFM	3004	2696	2377	2016	-	-	-	-	-	-	-	-
		BHP	0.18	0.21	0.22	0.23	-	-	-	-	-	-	-	-
		Sones	6.7	6.5	6.1	6.0	-	-	-	-	-	-	-	-
1/3	650	CFM	3254	2971	2685	2376	1802	-	-	-	-	-	-	-
		BHP	0.23	0.26	0.28	0.29	0.29	-	-	-	-	-	-	-
		Sones	7.7	7.5	7.1	6.8	7.0	-	-	-	-	-	-	-
1/2	700	CFM	3505	3244	2980	2693	2389	-	-	-	-	-	-	-
		BHP	0.29	0.32	0.34	0.36	0.37	-	-	-	-	-	-	-
		Sones	8.7	8.5	8.2	7.8	7.8	-	-	-	-	-	-	-
1/2	750	CFM	3755	3513	3264	3006	2739	2366	-	-	-	-	-	-
		BHP	0.36	0.39	0.41	0.44	0.45	0.46	-	-	-	-	-	-
		Sones	9.8	9.7	9.5	9.0	8.7	8.9	-	-	-	-	-	-
3/4	800	CFM	4006	3780	3544	3312	3059	2800	2305	-	-	-	-	-
		BHP	0.43	0.47	0.50	0.52	0.54	0.55	0.54	-	-	-	-	-
		Sones	11.0	11.0	10.9	10.4	9.9	9.8	10.0	-	-	-	-	-
3/4	850	CFM	4256	4044	3821	3607	3370	3139	2865	2020	-	-	-	-
		BHP	0.52	0.55	0.59	0.61	0.64	0.66	0.67	0.61	-	-	-	-
		Sones	12.3	12.3	12.3	11.8	11.2	10.8	10.9	11.1	-	-	-	-
1	900	CFM	4506	4307	4097	3893	3680	3454	3227	2921	-	-	-	-
		BHP	0.62	0.65	0.69	0.72	0.75	0.77	0.78	0.79	-	-	-	-
		Sones	13.4	13.4	13.4	13.0	12.6	12.0	11.8	12.0	-	-	-	-
1	950	CFM	4757	4568	4370	4174	3982	3766	3560	3337	3001	-	-	-
		BHP	0.72	0.76	0.80	0.84	0.86	0.89	0.91	0.93	0.93	-	-	-
		Sones	14.5	14.5	14.5	14.3	13.8	13.4	13.0	13.1	13.3	-	-	-
1-1/2	1000	CFM	5007	4828	4641	4452	4272	4076	3870	3676	3457	-	-	-
		BHP	0.84	0.89	0.93	0.97	1.00	1.03	1.05	1.07	1.08	-	-	-
		Sones	15.7	15.7	15.7	15.7	15.2	14.8	14.3	14.1	14.3	-	-	-
1-1/2	1050	CFM	5257	5088	4911	4729	4556	4379	4184	3995	3802	3257	-	-
		BHP	0.98	1.02	1.07	1.11	1.14	1.17	1.20	1.23	1.24	1.25	-	-
		Sones	16.9	17.0	17.0	17.0	16.6	16.2	15.8	15.4	15.4	15.7	-	-
1-1/2	1100	CFM	5508	5346	5178	5005	4837	4672	4493	4304	4130	3721	-	-
		BHP	1.12	1.17	1.22	1.26	1.30	1.33	1.36	1.39	1.42	1.44	-	-
		Sones	18.2	18.2	18.2	18.3	18.1	17.7	17.3	16.9	16.6	16.8	-	-
2	1150	CFM	5758	5603	5444	5279	5115	4958	4796	4618	4440	4083	3565	-
		BHP	1.28	1.33	1.38	1.43	1.47	1.51	1.54	1.57	1.60	1.64	1.64	-
		Sones	19.6	19.6	19.6	19.5	19.4	19.1	18.8	18.4	18.1	17.9	18.2	-
2	1200	CFM	6008	5860	5708	5551	5392	5241	5089	4926	4753	4425	4033	-
		BHP	1.46	1.51	1.56	1.61	1.66	1.70	1.73	1.76	1.80	1.85	1.87	-
		Sones	21.0	21.0	20.9	20.9	20.9	20.6	20.2	19.9	19.6	19.1	19.4	-
2	1250	CFM	6259	6117	5971	5821	5668	5520	5376	5227	5065	4744	4410	3924
		BHP	1.65	1.70	1.75	1.81	1.86	1.90	1.94	1.97	2.01	2.07	2.11	2.11
		Sones	22.4	22.4	22.4	22.4	22.4	22.2	21.8	21.5	21.2	20.5	20.5	20.8

Power Ratings (BHP) does not include drive losses.

Performance certified is for installation type A - free inlet, free outlet.

Performance ratings include the effects of birdscreen in the airstream.

The sound ratings shown are loudness values in fan sones @ 5' (1.5m) in a hemispherical free field calculated per AMCA Standard 301.

Values shown are for: Installation Type A: free inlet hemispherical sone levels.



S&P USA Ventilation Systems, LLC., Div. of Soler & Palau Ventilation Group, certifies that the Models SDB shown herein are licensed to bear the AMCA Seal. The ratings shown are based on test and procedures performed in accordance with AMCA Publication 211 and AMCA Publication 311 and comply with the requirement of the AMCA Certified Ratings Program.





SIZE 22

Motor HP	RPM		Static Pressure in Inches w.g.								
			0	0.125	0.25	0.375	0.5	0.625	0.75	0.875	1
1/4	400	CFM	3239	2522	-	-	-	-	-	-	-
		BHP	0.12	0.13	-	-	-	-	-	-	-
		Sones	6.2	5.4	-	-	-	-	-	-	-
1/4	450	CFM	3644	3024	-	-	-	-	-	-	-
		BHP	0.17	0.19	-	-	-	-	-	-	-
		Sones	7.4	6.8	-	-	-	-	-	-	-
1/4	500	CFM	4049	3507	2824	-	-	-	-	-	-
		BHP	0.24	0.25	0.26	-	-	-	-	-	-
		Sones	8.8	8.1	7.2	-	-	-	-	-	-
1/3	550	CFM	4454	3975	3399	-	-	-	-	-	-
		BHP	0.32	0.33	0.34	-	-	-	-	-	-
		Sones	10.1	9.5	8.8	-	-	-	-	-	-
1/2	600	CFM	4859	4424	3918	3304	-	-	-	-	-
		BHP	0.41	0.43	0.45	0.44	-	-	-	-	-
		Sones	11.4	10.9	10.3	9.2	-	-	-	-	-
3/4	650	CFM	5264	4863	4409	3901	2989	-	-	-	-
		BHP	0.53	0.55	0.56	0.57	0.53	-	-	-	-
		Sones	13.0	12.3	11.6	11.2	10.1	-	-	-	-
3/4	700	CFM	5669	5296	4892	4443	3909	-	-	-	-
		BHP	0.66	0.68	0.70	0.71	0.70	-	-	-	-
		Sones	14.5	13.9	13.3	12.7	12.0	-	-	-	-
1	750	CFM	6073	5725	5364	4949	4498	3871	-	-	-
		BHP	0.81	0.83	0.85	0.87	0.87	0.85	-	-	-
		Sones	16.1	15.4	14.9	14.4	13.9	13.2	-	-	-
1-1/2	800	CFM	6478	6151	5822	5438	5043	4570	3777	-	-
		BHP	0.98	1.01	1.03	1.05	1.06	1.05	1.00	-	-
		Sones	17.8	17.1	16.5	16.0	15.7	15.2	14.6	-	-
1-1/2	850	CFM	6883	6575	6269	5922	5555	5159	4693	3576	-
		BHP	1.18	1.20	1.23	1.25	1.27	1.27	1.26	1.14	-
		Sones	19.4	18.8	18.3	17.9	17.6	17.3	16.7	16.1	-
1-1/2	900	CFM	7288	6997	6709	6396	6048	5697	5291	4803	-
		BHP	1.40	1.43	1.45	1.47	1.50	1.50	1.50	1.48	-
		Sones	21.2	20.6	20.1	19.7	19.4	19.1	18.8	18.3	-
2	950	CFM	7693	7417	7145	6860	6535	6208	5859	5445	4922
		BHP	1.64	1.67	1.70	1.72	1.75	1.77	1.77	1.76	1.73
		Sones	23.2	22.6	22.1	21.6	21.3	21.0	20.7	20.4	19.8
2	1000	CFM	8098	7836	7576	7313	7015	6701	6387	6039	5648
		BHP	1.92	1.95	1.98	2.00	2.03	2.06	2.06	2.06	2.05
		Sones	25.2	24.6	24.1	23.6	23.3	23.0	22.7	22.5	22.1

Power Ratings (BHP) does not include drive losses.

Performance certified is for installation type A - free inlet, free outlet.

Performance ratings include the effects of birdscreen in the airstream.

The sound ratings shown are loudness values in fan sones @ 5' (1.5m) in a hemispherical free field calculated per AMCA Standard 301. Values shown are for: Installation Type A: free inlet hemispherical sone levels.



S&P USA Ventilation Systems, LLC., Div. of Soler & Palau Ventilation Group, certifies that the Models SDB shown herein are licensed to bear the AMCA Seal. The ratings shown are based on test and procedures performed in accordance with AMCA Publication 211 and AMCA Publication 311 and comply with the requirement of the AMCA Certified Ratings Program.





SIZE 24

Motor HP	RPM		Static Pressure in Inches w.g.								
			0	0.125	0.25	0.375	0.5	0.625	0.75	0.875	1
1/4	400	CFM	4128	3407	2503	-	-	-	-	-	-
		BHP	0.17	0.19	0.19	-	-	-	-	-	-
		Sones	6.0	5.1	4.6	-	-	-	-	-	-
1/3	450	CFM	4643	4010	3264	-	-	-	-	-	-
		BHP	0.24	0.27	0.28	-	-	-	-	-	-
		Sones	7.3	6.3	5.8	-	-	-	-	-	-
1/2	500	CFM	5159	4588	3969	3350	-	-	-	-	-
		BHP	0.33	0.36	0.38	0.38	-	-	-	-	-
		Sones	8.9	8.0	7.4	6.9	-	-	-	-	-
1/2	550	CFM	5675	5151	4621	3979	-	-	-	-	-
		BHP	0.43	0.47	0.50	0.51	-	-	-	-	-
		Sones	11.0	9.9	9.3	8.8	-	-	-	-	-
3/4	600	CFM	6191	5704	5239	4697	4003	-	-	-	-
		BHP	0.56	0.60	0.64	0.66	0.66	-	-	-	-
		Sones	13.3	12.2	11.5	11.0	10.6	-	-	-	-
1	650	CFM	6707	6252	5831	5356	4822	-	-	-	-
		BHP	0.72	0.76	0.80	0.83	0.84	-	-	-	-
		Sones	15.7	14.6	13.9	13.4	12.9	-	-	-	-
1	700	CFM	7223	6796	6407	5990	5519	4977	-	-	-
		BHP	0.89	0.94	0.99	1.03	1.04	1.05	-	-	-
		Sones	17.9	16.8	15.9	15.4	15.0	14.7	-	-	-
1-1/2	750	CFM	7739	7336	6973	6598	6177	5726	5171	-	-
		BHP	1.10	1.15	1.20	1.25	1.27	1.29	1.29	-	-
		Sones	19.6	18.5	17.6	17.1	16.7	16.3	16.0	-	-
1-1/2	800	CFM	8255	7875	7531	7187	6814	6400	5964	-	-
		BHP	1.33	1.39	1.45	1.50	1.53	1.55	1.57	-	-
		Sones	21.4	20.3	19.4	18.9	18.5	18.1	17.7	-	-
2	850	CFM	8771	8412	8084	7764	7427	7055	6662	6231	-
		BHP	1.60	1.66	1.72	1.78	1.82	1.85	1.87	1.88	-
		Sones	23.1	22.2	21.3	20.6	20.2	19.9	19.5	19.2	-
2	900	CFM	9287	8946	8632	8332	8021	7688	7323	6950	6527
		BHP	1.90	1.96	2.02	2.09	2.14	2.18	2.21	2.22	2.23
		Sones	25.0	24.1	23.2	22.5	22.1	21.7	21.3	20.9	20.7

Power Ratings (BHP) does not include drive losses.

Performance certified is for installation type A - free inlet, free outlet.

Performance ratings include the effects of birdscreen in the airstream.

The sound ratings shown are loudness values in fan sones @ 5' (1.5m) in a hemispherical free field calculated per AMCA Standard 301. Values shown are for: Installation Type A: free inlet hemispherical sone levels.



S&P USA Ventilation Systems, LLC.,
 Div. of Soler & Palau Ventilation Group,
 certifies that the Models SDB shown
 herein are licensed to bear the AMCA
 Seal. The ratings shown are based
 on test and procedures performed in
 accordance with AMCA Publication 211
 and AMCA Publication 311 and comply
 with the requirement of the AMCA
 Certified Ratings Program.





SIZE 27

Motor HP	RPM		Static Pressure in Inches w.g.								
			0	0.125	0.25	0.375	0.5	0.625	0.75	0.875	1
1/4	350	CFM	5085	4081	-	-	-	-	-	-	-
		BHP	0.22	0.24	-	-	-	-	-	-	-
		Sones	5.6	5.0	-	-	-	-	-	-	-
1/3	400	CFM	5811	4962	3856	-	-	-	-	-	-
		BHP	0.33	0.35	0.35	-	-	-	-	-	-
		Sones	7.0	6.5	6.1	-	-	-	-	-	-
1/2	450	CFM	6538	5795	4909	-	-	-	-	-	-
		BHP	0.47	0.49	0.51	-	-	-	-	-	-
		Sones	8.5	8.0	7.6	-	-	-	-	-	-
3/4	500	CFM	7264	6604	5863	-	-	-	-	-	-
		BHP	0.64	0.67	0.69	-	-	-	-	-	-
		Sones	10.1	9.8	9.4	-	-	-	-	-	-
1	550	CFM	7990	7395	6749	5990	-	-	-	-	-
		BHP	0.85	0.89	0.92	0.93	-	-	-	-	-
		Sones	12.0	11.9	11.5	11.1	-	-	-	-	-
1-1/2	600	CFM	8717	8175	7595	6953	6190	-	-	-	-
		BHP	1.11	1.15	1.18	1.20	1.20	-	-	-	-
		Sones	14.1	14.0	13.7	13.3	13.0	-	-	-	-
1-1/2	650	CFM	9443	8945	8418	7854	7213	-	-	-	-
		BHP	1.41	1.46	1.49	1.52	1.53	-	-	-	-
		Sones	16.2	16.1	16.0	15.6	15.3	-	-	-	-
2	700	CFM	10169	9709	9225	8717	8161	7530	-	-	-
		BHP	1.76	1.81	1.85	1.88	1.91	1.91	-	-	-
		Sones	18.2	18.1	18.0	17.7	17.4	17.2	-	-	-

Power Ratings (BHP) does not include drive losses.

Performance certified is for installation type A - free inlet, free outlet.

Performance ratings include the effects of birdscreen in the airstream.

The sound ratings shown are loudness values in fan sones @ 5' (1.5m) in a hemispherical free field calculated per AMCA Standard 301. Values shown are for: Installation Type A: free inlet hemispherical sone levels.



S&P USA Ventilation Systems, LLC., Div. of Soler & Palau Ventilation Group, certifies that the Models SDB shown herein are licensed to bear the AMCA Seal. The ratings shown are based on test and procedures performed in accordance with AMCA Publication 211 and AMCA Publication 311 and comply with the requirement of the AMCA Certified Ratings Program.





MODEL SDB
BELT DRIVE CENTRIFUGAL DOWNBLAST ROOF EXHAUSTER



SIZE 30

Motor HP	RPM		Static Pressure in Inches w.g.									
			0	0.125	0.25	0.375	0.5	0.625	0.75	0.875	1	1.25
1/2	300	CFM	5570	4426	-	-	-	-	-	-	-	-
		BHP	0.19	0.22	-	-	-	-	-	-	-	-
		Sones	7.9	5.7	-	-	-	-	-	-	-	-
1/2	350	CFM	6499	5522	4336	-	-	-	-	-	-	-
		BHP	0.31	0.34	0.35	-	-	-	-	-	-	-
		Sones	9.5	7.8	6.6	-	-	-	-	-	-	-
1/2	400	CFM	7427	6551	5696	-	-	-	-	-	-	-
		BHP	0.46	0.50	0.53	-	-	-	-	-	-	-
		Sones	11.3	10.0	8.7	-	-	-	-	-	-	-
3/4	450	CFM	8355	7562	6841	5975	-	-	-	-	-	-
		BHP	0.65	0.70	0.74	0.76	-	-	-	-	-	-
		Sones	13.6	12.2	11.0	10.4	-	-	-	-	-	-
1	500	CFM	9284	8563	7915	7209	-	-	-	-	-	-
		BHP	0.90	0.95	1.00	1.04	-	-	-	-	-	-
		Sones	16.8	15.3	13.9	12.9	-	-	-	-	-	-
1-1/2	550	CFM	10212	9553	8946	8353	7684	-	-	-	-	-
		BHP	1.19	1.26	1.31	1.36	1.39	-	-	-	-	-
		Sones	20.4	18.8	17.3	15.8	15.0	-	-	-	-	-
2	600	CFM	11140	10534	9958	9434	8853	8221	-	-	-	-
		BHP	1.55	1.62	1.68	1.74	1.79	1.81	-	-	-	-
		Sones	24.5	22.7	21.3	19.5	18.0	17.3	-	-	-	-
2	650	CFM	12069	11507	10968	10473	9975	9413	8817	-	-	-
		BHP	1.97	2.04	2.12	2.18	2.23	2.29	2.30	-	-	-
		Sones	26.9	25.3	23.9	22.4	21.0	19.9	19.3	-	-	-
3	700	CFM	12997	12474	11968	11492	11045	10560	10032	9469	-	-
		BHP	2.46	2.54	2.62	2.69	2.75	2.81	2.86	2.87	-	-
		Sones	29.2	27.8	26.5	25.3	24.0	22.8	22.2	21.7	-	-
5	750	CFM	13926	13436	12961	12503	12082	11658	11189	10695	10167	-
		BHP	3.03	3.11	3.20	3.28	3.35	3.41	3.48	3.52	3.53	-
		Sones	31.6	30.4	29.2	28.1	26.9	25.9	25.0	24.6	24.1	-
5	800	CFM	14854	14394	13946	13511	13102	12711	12302	11855	11392	-
		BHP	3.67	3.77	3.86	3.95	4.02	4.09	4.16	4.23	4.27	-
		Sones	34.0	33.0	32.0	31.0	30.0	29.0	28.1	27.6	27.1	-
5	850	CFM	15782	15349	14926	14512	14113	13743	13373	12978	12554	11663
		BHP	4.40	4.50	4.60	4.70	4.79	4.86	4.94	5.01	5.08	5.14
		Sones	36.6	35.7	34.8	33.9	33.0	32.1	31.2	30.6	30.2	29.4

Power Ratings (BHP) does not include drive losses.

Performance certified is for installation type A - free inlet, free outlet.

Performance ratings include the effects of birdscreen in the airstream.

The sound ratings shown are loudness values in fan sones @ 5' (1.5m) in a hemispherical free field calculated per AMCA Standard 301. Values shown are for: Installation Type A: free inlet hemispherical sone levels.



S&P USA Ventilation Systems, LLC., Div. of Soler & Palau Ventilation Group, certifies that the Models SDB shown herein are licensed to bear the AMCA Seal. The ratings shown are based on test and procedures performed in accordance with AMCA Publication 211 and AMCA Publication 311 and comply with the requirement of the AMCA Certified Ratings Program.





SIZE 33

Motor HP	RPM		Static Pressure in Inches w.g.											
			0	0.125	0.25	0.375	0.5	0.625	0.75	0.875	1	1.25	1.5	
1/2	250	CFM	5722	4025	-	-	-	-	-	-	-	-	-	-
		BHP	0.18	0.19	-	-	-	-	-	-	-	-	-	-
		SONES	5.7	3.9	-	-	-	-	-	-	-	-	-	-
1/2	300	CFM	6866	5611	-	-	-	-	-	-	-	-	-	-
		BHP	0.32	0.34	-	-	-	-	-	-	-	-	-	-
		SONES	8.3	6.2	-	-	-	-	-	-	-	-	-	-
1/2	350	CFM	8010	6951	5562	-	-	-	-	-	-	-	-	-
		BHP	0.50	0.53	0.53	-	-	-	-	-	-	-	-	-
		SONES	10.4	8.5	7.7	-	-	-	-	-	-	-	-	-
3/4	400	CFM	9155	8218	7231	5882	-	-	-	-	-	-	-	-
		BHP	0.75	0.78	0.80	0.77	-	-	-	-	-	-	-	-
		SONES	12.5	11.0	10.2	9.4	-	-	-	-	-	-	-	-
1	450	CFM	10299	9473	8646	7573	6275	-	-	-	-	-	-	-
		BHP	1.07	1.11	1.13	1.13	1.07	-	-	-	-	-	-	-
		SONES	15.5	13.9	13.1	12.3	11.6	-	-	-	-	-	-	-
1-1/2	500	CFM	11443	10704	9959	9155	8050	6846	-	-	-	-	-	-
		BHP	1.46	1.51	1.54	1.56	1.54	1.46	-	-	-	-	-	-
		SONES	18.7	16.9	16.1	15.3	14.6	14.1	-	-	-	-	-	-
2	550	CFM	12588	11918	11226	10558	9747	8667	7625	-	-	-	-	-
		BHP	1.95	2.00	2.04	2.07	2.08	2.04	1.96	-	-	-	-	-
		SONES	22.2	20.3	19.1	18.3	17.7	17.0	16.6	-	-	-	-	-
3	600	CFM	13732	13120	12488	11879	11223	10416	9400	8532	-	-	-	-
		BHP	2.53	2.59	2.63	2.67	2.70	2.70	2.64	2.56	-	-	-	-
		SONES	26.0	24.0	22.3	21.5	20.9	20.2	19.6	19.2	-	-	-	-
3	650	CFM	14876	14313	13734	13155	12592	11951	11170	10226	9485	6623	-	-
		BHP	3.21	3.28	3.33	3.38	3.41	3.44	3.43	3.36	3.29	2.92	-	-
		SONES	29.1	27.2	25.6	24.5	23.8	23.2	22.5	21.9	21.6	21.2	-	-
5	700	CFM	16021	15499	14964	14416	13902	13357	12738	11995	11123	9245	-	-
		BHP	4.01	4.08	4.14	4.20	4.24	4.27	4.29	4.28	4.21	3.97	-	-
		SONES	32.1	30.3	28.7	27.7	27.0	26.4	25.8	25.2	24.6	23.8	-	-
5	750	CFM	17165	16679	16182	15674	15176	14694	14169	13578	12879	11364	-	-
		BHP	4.94	5.01	5.08	5.14	5.19	5.23	5.26	5.28	5.26	5.11	-	-
		SONES	35.1	33.5	32.0	31.1	30.4	29.8	29.2	28.6	28.0	27.0	-	-

Power Ratings (BHP) does not include drive losses.

Performance certified is for installation type A - free inlet, free outlet.

Performance ratings include the effects of birdscreen in the airstream.

The sound ratings shown are loudness values in fan sones @ 5' (1.5m) in a hemispherical free field calculated per AMCA Standard 301. Values shown are for: Installation Type A: free inlet hemispherical sone levels.



S&P USA Ventilation Systems, LLC, Div. of Soler & Palau Ventilation Group, certifies that the Models SDB shown herein are licensed to bear the AMCA Seal. The ratings shown are based on test and procedures performed in accordance with AMCA Publication 211 and AMCA Publication 311 and comply with the requirement of the AMCA Certified Ratings Program.





SIZE 36

Motor HP	RPM		Static Pressure in Inches w.g.									
			0	0.125	0.25	0.375	0.5	0.625	0.75	0.875	1	1.25
3/4	300	CFM	9028	7949	6385	-	-	-	-	-	-	-
		BHP	0.47	0.52	0.53	-	-	-	-	-	-	-
		SONES	7.3	7.0	6.6	-	-	-	-	-	-	-
3/4	325	CFM	9780	8813	7487	-	-	-	-	-	-	-
		BHP	0.60	0.66	0.68	-	-	-	-	-	-	-
		SONES	8.3	8.0	7.7	-	-	-	-	-	-	-
3/4	350	CFM	10533	9657	8496	7389	-	-	-	-	-	-
		BHP	0.75	0.82	0.85	0.84	-	-	-	-	-	-
		SONES	9.3	9.0	8.7	8.3	-	-	-	-	-	-
1	375	CFM	11285	10486	9458	8176	-	-	-	-	-	-
		BHP	0.93	1.00	1.04	1.04	-	-	-	-	-	-
		SONES	10.4	10.1	9.9	9.5	-	-	-	-	-	-
1-1/2	400	CFM	12037	11301	10378	9250	8612	-	-	-	-	-
		BHP	1.12	1.20	1.25	1.27	1.26	-	-	-	-	-
		SONES	11.6	11.3	11.1	10.9	10.4	-	-	-	-	-
1-1/2	425	CFM	12790	12108	11267	10260	9066	8005	-	-	-	-
		BHP	1.35	1.43	1.49	1.52	1.51	1.47	-	-	-	-
		SONES	12.9	12.7	12.5	12.3	11.8	11.4	-	-	-	-
2	450	CFM	13542	12906	12134	11233	10188	9584	13629	-	-	-
		BHP	1.60	1.69	1.76	1.80	1.80	1.79	1.59	-	-	-
		SONES	14.2	14.0	13.8	13.7	13.4	12.9	12.1	-	-	-
2	475	CFM	14294	13699	12986	12168	11211	10128	10072	-	-	-
		BHP	1.88	1.97	2.05	2.10	2.12	2.10	2.10	-	-	-
		SONES	15.5	15.4	15.3	15.1	15.0	14.6	14.1	-	-	-
3	500	CFM	15047	14486	13825	13073	12213	11257	10283	8855	-	-
		BHP	2.19	2.29	2.38	2.44	2.47	2.47	2.44	2.34	-	-
		SONES	16.8	16.7	16.6	16.5	16.4	16.1	15.7	15.3	-	-
3	525	CFM	15799	15270	14654	13957	13175	12287	11316	11400	-	-
		BHP	2.54	2.64	2.73	2.81	2.85	2.86	2.85	2.85	-	-
		SONES	18.2	18.1	18.0	17.9	17.8	17.8	17.3	16.9	-	-
3	550	CFM	16551	16050	15473	14822	14106	13299	12429	11389	11753	-
		BHP	2.92	3.03	3.13	3.21	3.26	3.29	3.29	3.25	3.27	-
		SONES	19.6	19.5	19.4	19.3	19.2	19.2	18.9	18.5	18.1	-
5	575	CFM	17303	16827	16284	15676	15012	14274	13456	12588	11958	13464
		BHP	3.34	3.45	3.55	3.65	3.71	3.75	3.76	3.75	3.72	3.76
		SONES	20.9	20.9	20.8	20.7	20.7	20.6	20.6	20.2	19.7	18.2
5	600	CFM	18056	17602	17089	16519	15898	15219	14469	13675	12771	11111
		BHP	3.79	3.91	4.02	4.12	4.20	4.25	4.27	4.27	4.24	4.11
		SONES	22.4	22.3	22.3	22.2	22.2	22.2	22.1	21.9	21.5	20.7
5	625	CFM	18808	18374	17889	17352	16768	16139	15449	14692	13916	13594
		BHP	4.29	4.41	4.52	4.63	4.72	4.78	4.82	4.83	4.82	4.81
		SONES	23.8	23.7	23.6	23.6	23.5	23.5	23.5	23.5	23.1	22.3
5	650	CFM	19560	19145	18684	18177	17625	17038	16400	15705	14974	13231
		BHP	4.82	4.95	5.07	5.18	5.28	5.36	5.41	5.43	5.43	5.35
		SONES	25.1	24.9	24.8	24.8	24.7	24.7	24.7	24.7	24.5	23.8

Power Ratings (BHP) does not include drive losses.

Performance certified is for installation type A - free inlet, free outlet.

The performance ratings include the effects of birdscreen in the airstream.

The sound ratings shown are loudness values in fan sones @ 5' (1.5m) in a hemispherical free field calculated per AMCA Standard 301. Values shown are for: Installation Type A: free inlet hemispherical sone levels.



S&P USA Ventilation Systems, LLC, Div. of Soler & Palau Ventilation Group, certifies that the Models SDB shown herein are licensed to bear the AMCA Seal. The ratings shown are based on test and procedures performed in accordance with AMCA Publication 211 and AMCA Publication 311 and comply with the requirement of the AMCA Certified Ratings Program.





SIZE 42

Motor HP	RPM		Static Pressure in Inches w.g.										
			0	0.125	0.25	0.375	0.5	0.625	0.75	0.875	1	1.25	1.5
3/4	250	CFM	11126	9764	8256	-	-	-	-	-	-	-	-
		BHP	0.55	0.62	0.63	-	-	-	-	-	-	-	-
		SONES	7.0	6.6	6.3	-	-	-	-	-	-	-	-
3/4	275	CFM	12239	11046	9241	-	-	-	-	-	-	-	-
		BHP	0.74	0.81	0.85	-	-	-	-	-	-	-	-
		SONES	8.3	7.9	7.7	-	-	-	-	-	-	-	-
1	300	CFM	13352	12301	10816	10449	-	-	-	-	-	-	-
		BHP	0.96	1.04	1.10	1.10	-	-	-	-	-	-	-
		SONES	9.8	9.5	9.2	9.1	-	-	-	-	-	-	-
1-1/2	325	CFM	14464	13526	12265	10487	-	-	-	-	-	-	-
		BHP	1.21	1.31	1.38	1.39	-	-	-	-	-	-	-
		SONES	11.4	11.1	10.8	10.6	-	-	-	-	-	-	-
2	350	CFM	15577	14729	13621	12165	12003	-	-	-	-	-	-
		BHP	1.52	1.62	1.71	1.74	1.74	-	-	-	-	-	-
		SONES	12.8	12.5	12.2	11.9	11.7	-	-	-	-	-	-
2	375	CFM	16689	15915	14917	13700	12088	10571	-	-	-	-	-
		BHP	1.87	1.98	2.08	2.14	2.13	2.06	-	-	-	-	-
		SONES	14.3	14.0	13.6	13.4	13.2	13.0	-	-	-	-	-
3	400	CFM	17802	17090	16184	15131	13788	12371	-	-	-	-	-
		BHP	2.27	2.38	2.49	2.57	2.60	2.57	-	-	-	-	-
		SONES	15.9	15.5	15.3	15.0	14.7	14.6	-	-	-	-	-
3	425	CFM	18915	18255	17433	16488	15341	13933	14793	-	-	-	-
		BHP	2.72	2.84	2.96	3.06	3.12	3.11	3.12	-	-	-	-
		SONES	17.7	17.5	17.2	16.9	16.7	16.5	16.4	-	-	-	-
5	450	CFM	20027	19412	18661	17795	16804	15590	14091	14857	-	-	-
		BHP	3.22	3.35	3.49	3.60	3.68	3.71	3.66	3.70	-	-	-
		SONES	19.6	19.3	19.0	18.8	18.5	18.3	18.2	18.1	-	-	-
5	475	CFM	21140	20564	19872	19066	18193	17142	15917	14349	13693	-	-
		BHP	3.79	3.93	4.07	4.20	4.29	4.35	4.36	4.27	4.22	-	-
		SONES	21.7	21.4	21.1	20.9	20.6	20.4	20.2	20.1	19.9	-	-
5	500	CFM	22252	21711	21069	20329	19528	18610	17517	16279	16513	-	-
		BHP	4.42	4.57	4.71	4.85	4.97	5.05	5.09	5.06	5.07	-	-
		SONES	23.7	23.5	23.2	23.0	22.7	22.5	22.3	22.1	22.0	-	-
7-1/2	525	CFM	23365	22853	22256	21573	20824	20009	19058	17977	16692	11579	-
		BHP	5.12	5.27	5.43	5.58	5.70	5.80	5.87	5.89	5.84	4.94	-
		SONES	25.9	25.7	25.4	25.2	24.9	24.7	24.5	24.3	24.1	23.9	-
7-1/2	550	CFM	24478	23993	23434	22800	22091	21356	20516	19546	18482	19099	-
		BHP	5.89	6.05	6.21	6.37	6.51	6.63	6.71	6.76	6.76	6.77	-
		SONES	28.2	27.9	27.7	27.4	27.1	26.9	26.7	26.5	26.3	26.1	-
7-1/2	575	CFM	25590	25130	24604	24012	23356	22666	21912	21056	20077	17708	12604
		BHP	6.73	6.89	7.06	7.23	7.39	7.52	7.62	7.70	7.74	7.62	6.47
		SONES	30.7	30.4	30.1	29.9	29.6	29.4	29.2	29.0	28.7	28.4	28.1

Power Ratings (BHP) does not include drive losses.

Performance certified is for installation type A - free inlet, free outlet.

Performance ratings include the effects of birdscreen in the airstream.

The sound ratings shown are loudness values in fan sones @ 5' (1.5m) in a hemispherical free field calculated per AMCA Standard 301. Values shown are for: Installation Type A: free inlet hemispherical sone levels.



S&P USA Ventilation Systems, LLC., Div. of Soler & Palau Ventilation Group, certifies that the Models SDB shown herein are licensed to bear the AMCA Seal. The ratings shown are based on test and procedures performed in accordance with AMCA Publication 211 and AMCA Publication 311 and comply with the requirement of the AMCA Certified Ratings Program.





MODEL SDB
BELT DRIVE CENTRIFUGAL DOWNBLAST ROOF EXHAUSTER



SIZE 48

Motor HP	RPM		Static Pressure in Inches w.g.									
			0	0.125	0.25	0.375	0.5	0.625	0.75	0.875	1	1.25
1	225	CFM	14951	13070	10456	-	-	-	-	-	-	-
		BHP	0.84	0.91	0.90	-	-	-	-	-	-	-
		SONES	9.4	8.9	8.7	-	-	-	-	-	-	-
1-1/2	250	CFM	16612	14991	13143	13529	-	-	-	-	-	-
		BHP	1.16	1.24	1.25	1.26	-	-	-	-	-	-
		SONES	11.7	11.2	10.8	10.8	-	-	-	-	-	-
1-1/2	275	CFM	18274	16849	14954	12690	-	-	-	-	-	-
		BHP	1.54	1.64	1.67	1.63	-	-	-	-	-	-
		SONES	14.2	13.8	13.4	13.1	-	-	-	-	-	-
2	300	CFM	19935	18664	17032	15735	13446	-	-	-	-	-
		BHP	2.00	2.11	2.17	2.17	2.10	-	-	-	-	-
		SONES	16.6	16.2	15.8	15.5	15.4	-	-	-	-	-
3	325	CFM	21596	20448	19015	17291	15980	18933	-	-	-	-
		BHP	2.54	2.66	2.75	2.76	2.74	2.75	-	-	-	-
		SONES	18.7	18.3	18.0	17.6	17.5	17.4	-	-	-	-
3	350	CFM	23257	22209	20932	19429	18391	15080	13874	-	-	-
		BHP	3.18	3.31	3.41	3.45	3.44	3.27	3.11	-	-	-
		SONES	20.8	20.4	20.1	19.8	19.5	19.4	19.6	-	-	-
5	375	CFM	24918	23954	22803	21470	19941	19312	14117	-	-	-
		BHP	3.91	4.05	4.17	4.23	4.24	4.22	3.71	-	-	-
		SONES	23.6	23.0	22.6	22.1	21.8	21.7	21.9	-	-	-
5	400	CFM	26580	25687	24639	23441	22088	21013	19860	15575	-	-
		BHP	4.74	4.89	5.03	5.12	5.15	5.13	5.11	4.59	-	-
		SONES	26.3	25.9	25.4	25.0	24.6	24.3	24.5	24.6	-	-
7-1/2	425	CFM	28241	27409	26448	25360	24147	22797	22300	20328	18482	-
		BHP	5.69	5.85	6.00	6.11	6.17	6.17	6.16	6.09	5.88	-
		SONES	29.4	28.9	28.4	28.0	27.5	27.1	27.1	27.2	27.3	-
7-1/2	450	CFM	29902	29123	28235	27238	26139	24928	23599	23424	20911	13613
		BHP	6.75	6.92	7.08	7.22	7.30	7.33	7.31	7.30	7.17	5.72
		SONES	32.8	32.3	31.9	31.5	31.0	30.6	30.2	30.2	30.3	30.6
7-1/2	475	CFM	31563	30830	30005	29087	28081	26984	25788	24942	24493	20782
		BHP	7.94	8.12	8.30	8.45	8.56	8.61	8.62	8.60	8.59	8.23
		SONES	36.3	35.9	35.4	35.0	34.6	34.2	33.8	33.6	33.6	33.5

Power Ratings (BHP) does not include drive losses.

Performance certified is for installation type A - free inlet, free outlet.

Performance ratings include the effects of birdscreen in the airstream.

The sound ratings shown are loudness values in fan sones @ 5' (1.5m) in a hemispherical free field calculated per AMCA Standard 301. Values shown are for: Installation Type A: free inlet hemispherical sone levels.



S&P USA Ventilation Systems, LLC., Div. of Soler & Palau Ventilation Group, certifies that the Models SDB shown herein are licensed to bear the AMCA Seal. The ratings shown are based on test and procedures performed in accordance with AMCA Publication 211 and AMCA Publication 311 and comply with the requirement of the AMCA Certified Ratings Program.

