

INDUSTRIAL FANS

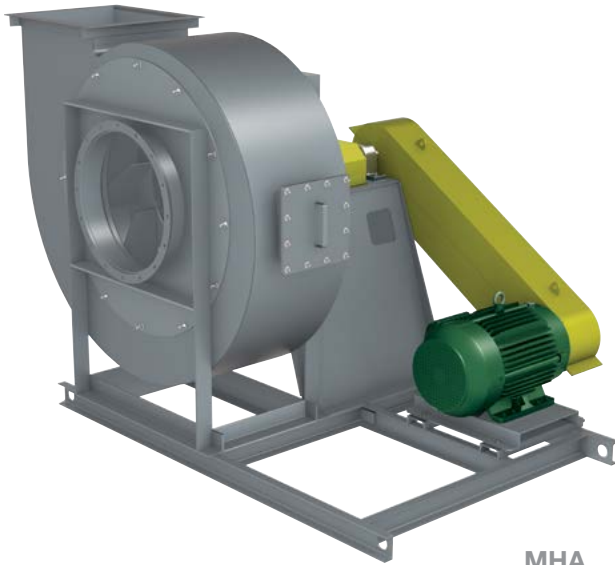


MODELS: MHO/MHR/MHA/MHW/MHP



Models

MHA | MHO | MHR | MHW | MHP



MHA
Arrangement 1



MHW
Arrangement 8

The Radial Bladed Industrial Fans are designed for applications with moderate air volumes of moderate to high pressures, such as exhaust, material conveying, pollution control, air circulation, combustion air, moisture blow-off, incinerators, oven and dryer exhaust and scrubber exhaust. The heavy-gauge, all-welded construction has earned it the reputation of being the “workhorse” of the industry – a design proven by years of service handling dirty, abrasive, sticky or bulky particulate-laden airstreams. With multiple sizes, materials and four (4) impeller types available for a multitude of different processes, there is a fan available to meet your applications needs.

Typical Industries Include

Aerospace, Agriculture, Air Pollution Control, Asphalt, Automotive, Boilers, Brick, Cement, Chemical, Coal, Composting, Ethanol, Foundry, General Manufacturing, Glass, Industrial Processes, Metal & Minerals, Mining, Nuclear, OEM, Petrochemical, Pharmaceutical, Power Generation, Pulp & Paper, Recycling, Textile, Water Treatment

Arrangements

Available in Arrangements 1, 4 (excl. MHO/MHR/MHP), 4VI (excl. MHO/MHR/MHP), 8, 9A, 9B (excl. MHP), 9, 9F, 9H, 10

Impeller Types

Fabricated Air Handling Impellers, Paddle Impellers, Wool Impellers with Backplate and Heavy Gusseted Bulk Material Handling Impellers

Optional Construction

Abrasion Resistant Construction, High Temperature Construction, Nominally Leak-Tight Construction, Spark Resistant Construction (Type A, B and C), Special Materials, Split Housings

Certifications

AMCA Air and FEG



Aerovent, a Twin City Fan Company, certifies that the MH Series Model MHO/MHR/MHA/MHW fans shown herein are licensed to bear the AMCA Seal. The ratings shown are based on tests and procedures performed in accordance with AMCA Publication 211 and comply with the requirements of the AMCA Certified Ratings Program.



For complete product performance, drawings and available accessories, download our Fan Selector program at aerovent.com.

Models

MHA | MHO | MHR | MHW | MHP

Efficiency is critical in most applications, and it is important that the fan size is selected so that it will operate at or near its maximum efficiency point. This is particularly important with the units that have lower efficiency in general, such as the MHO and MHW impellers.

Models

MHA (Air Handling)

12.25" to 104.25" impeller diameters
Airflow to 141,800 CFM
Static pressure to 46" w.g.



MHO/MHR (Radial Paddle)

8.75" to 104.25" impeller diameters
Airflow to 141,800 CFM
Static pressure to 46" w.g.



MHW (Radial Backplate Wool)

8.75" to 104.25" impeller diameters
Airflow to 141,800 CFM
Static pressure to 46" w.g.



MHP (Radial Paper Handling)

19.13" to 45.13" impeller diameters
Airflow to 26,500 CFM
Static pressure to 32" w.g.



MHA - Compost Aeration



MHO - Energy Recovery System

AEROVENT 
INDUSTRIAL VENTILATION SYSTEMS

Housing Construction

All fan housings are continuously welded to provide strength and durability for extended service life. All housings are reinforced with rigid bracing to increase structural integrity. All fans sizes 921 and larger feature a punched outlet flange. MHP fans include a punched inlet flange and bearing stop blocks as standard. MHP fans are supplied with a relieved inlet transition to smooth the flow of paper trim and similar material through the fan.

Shafts

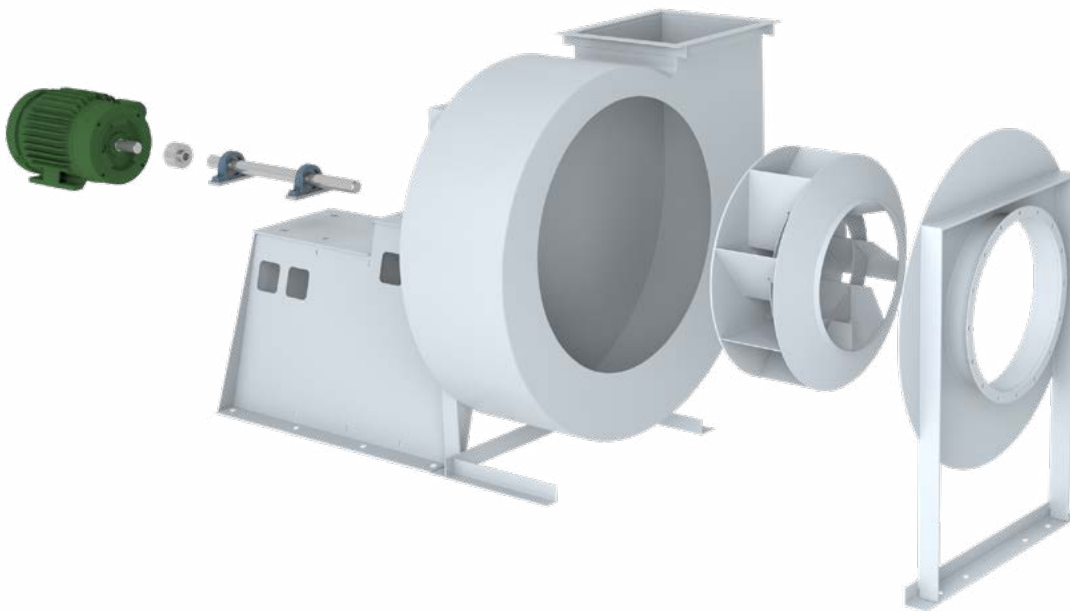
Shafts are AISI Grade 1045 hot-rolled steel accurately turned, ground, polished, and ring gauged for accuracy. Shafts are sized for a first critical speed of at least 1.43 times the maximum speed for the class.

Bearings

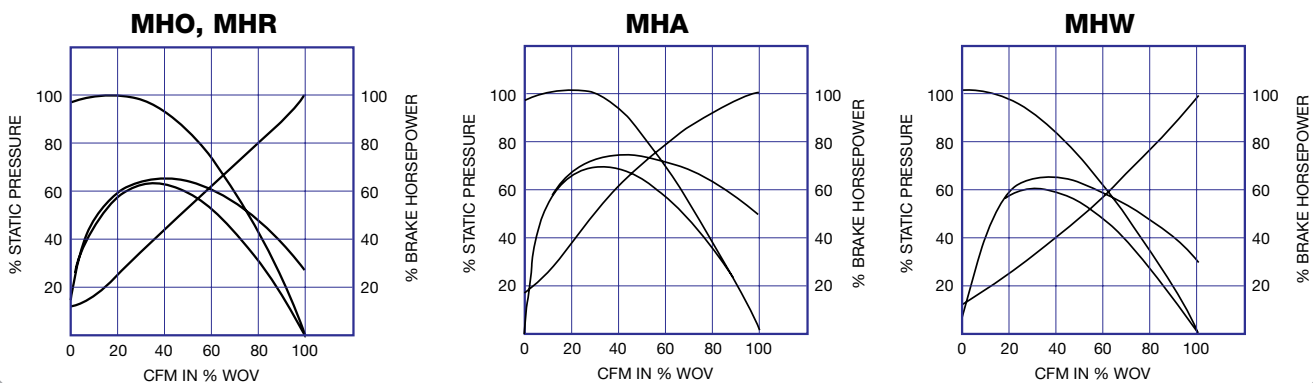
Bearings are sized and selected to have a minimum average life of 200,000 hours based on ABMA rating designations. The bearings are pillow block type, heavy-duty, anti-friction, self-aligning ball or roller type.

Optional Construction:

- Abrasion Resistant Construction
- Spark Resistant Construction
- Split Housings (Sizes 921 and larger)
- High Temperature Construction (excluding MHP)
- Nominally Leak-Tight Construction
- Special Materials



Typical Performance Characteristic Curves for Industrial Impellers

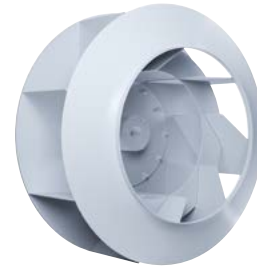


1. Class 22 – suitable for applications involving performance to approximately 22" SP.
2. Class 32 – for performance to 32" SP.
3. Class 45 – high pressure fans capable of reaching performance of approximately 45" SP.

Aerovent offers a complete series of impellers to meet the needs of most industrial process and material handling applications. Each impeller is statically and dynamically balanced on electronic equipment prior to being assembled in the fan. In addition, each unit is run at or near operating speed after assembly and the balance is fine-tuned as a complete assembly.

The typical performance characteristics for different impellers offered in the industrial fans are illustrated on page 4. It should be noted that all impellers essentially have overloading characteristic type brake horsepower curves; however, type MHA impellers have this to a lesser degree than other types.

While the general pressure characteristic curve is similar for all industrial impellers, the MHA type impeller is considerably more efficient than other industrial impellers. Therefore, the MHA impeller is the first choice where brake horsepower savings are important, but the MHA impeller is limited to handling relatively clean air or gases.



MHA



MHO



MHR



MHA Industrial Air Handling Impeller

The MHA impeller is the most efficient impeller in the MH family and is used when handling relatively clean air, fumes, vapor exhaust and air with a light contaminant. The impeller is constructed with heavy-gauge, backwardly inclined blades welded to both the backplate and front ring.

MHO and MHR Industrial Radial Paddle Impeller

The radial paddle impeller design is extremely rugged using heavy-gauge steel components. MHO impellers are open-type while MHR impellers add blade end rings for larger sizes and higher RPM. MHO construction is standard on all Class 22 fans and on sizes 923 and smaller, Class 32 and 45 fans. MHR construction is standard on size 926 and larger Class 32 and 45 fans. All impellers are welded with care to ensure the maximum in strength and reliability. MHO and MHR impellers are suitable for general handling of coarse, sticky, heavy and/or abrasive materials.

MHW Industrial Radial Backplate Wool Impeller

The MHW impeller is constructed to prevent long, stringy, fibrous and other similar material from hanging up on and wrapping around the gussets and blades.



MHW



MHP

MHP Industrial Radial Paper Handling Impeller

The MHP is a modified MHW impeller featuring trapezoidal gussets for the extra rugged construction necessary when handling corrugated paper trims, fibrous material, metal trim and other high impact loading material. A paper deflector cone over the face of the hub helps prevent wrapping of paper around the hub or leading edge of the blades. Due to the nature of the applications, MHP Class 32 construction is limited to 22" SP and MHP Class 45 construction is limited to 32" SP. Use MHW performance tables for MHP fans. The MHP fan is not AMCA licensed.

Arrangement 1

Arrangement 1 fans are available in either direct drive (see Arrangement 8 below) or belt driven installations. The belt driven configuration allows the motor to be mounted in any of the four standard motor positions shown on page 12. The choice of a belt driven installation provides greater performance flexibility with the use of belts and sheaves of differing sizes.



Arrangement 4

Arrangement 4 is a direct drive fan with the impeller mounted directly on the motor shaft. This drive arrangement is the most compact and requires minimum maintenance and service, as there are no fan bearings, fan shaft or drive parts to maintain. Standard Arrangement 4 fans are suitable to 200°F operating temperature.



Arrangement 4VI (Vertical)

Arrangement 4VI is a modified Arrangement 4 fan designed to mount directly on the inlet of the fan. The Arrangement 4VI fan features reinforced inlets and removable motor side to allow the rotating assemblies to be removed without removing the housing from the mounting structure. Arrangement 4VI fans utilize a vertical airflow into the fan (vertical motor shaft).



Arrangement 8

Arrangement 8 fans use a fan shaft and motor direct coupled via a flexible coupling. The integral motor subbase is fabricated of heavy gauge steel and securely reinforced for rigidity. Aerovent can supply impellers in a variety of diameters and differing widths to give the greatest efficiency for any given application. If desired, an Arrangement 1 fan can be set up for direct drive. This requires a concrete motor pedestal to be built in the field.



Arrangement 9

Arrangement 9 fans include a motor slide base mounted on the side of the motor pedestal. The motor and drive can be installed at the factory or field installed. Class 22 fans up to size 929 are offered in Arrangements 9A (shorter pedestal for small motors) and 9B (longer pedestals for larger motors). Maximum motor frame sizes for Arrangement 9A and 9B fans are listed in the table on page 17.

Unless otherwise specified, the motor will be installed on the left (L) side of the pedestal on CW fans and on the right (R) side on CCW fans.

Arrangement 9F

Arrangement 9F (floor mount) fans are recommended when a packaged unit is desired, but required motors are too large to be mounted on the side of the bearing pedestal. In this arrangement, the base is extended to facilitate motor mounting in a horizontal position similar to an Arrangement 1 fan. This arrangement is preferred over Arrangement 9 when larger horsepower motors are being employed. Maximum motor frame sizes for Arrangement 9F fans are listed in the table on page 17.

Unless otherwise specified, the motor will be installed on the left (L) side of the pedestal on CW fans and on the right (R) side on CCW fans. Arrangement 9F requires a separate subbase when vibration isolation is required.

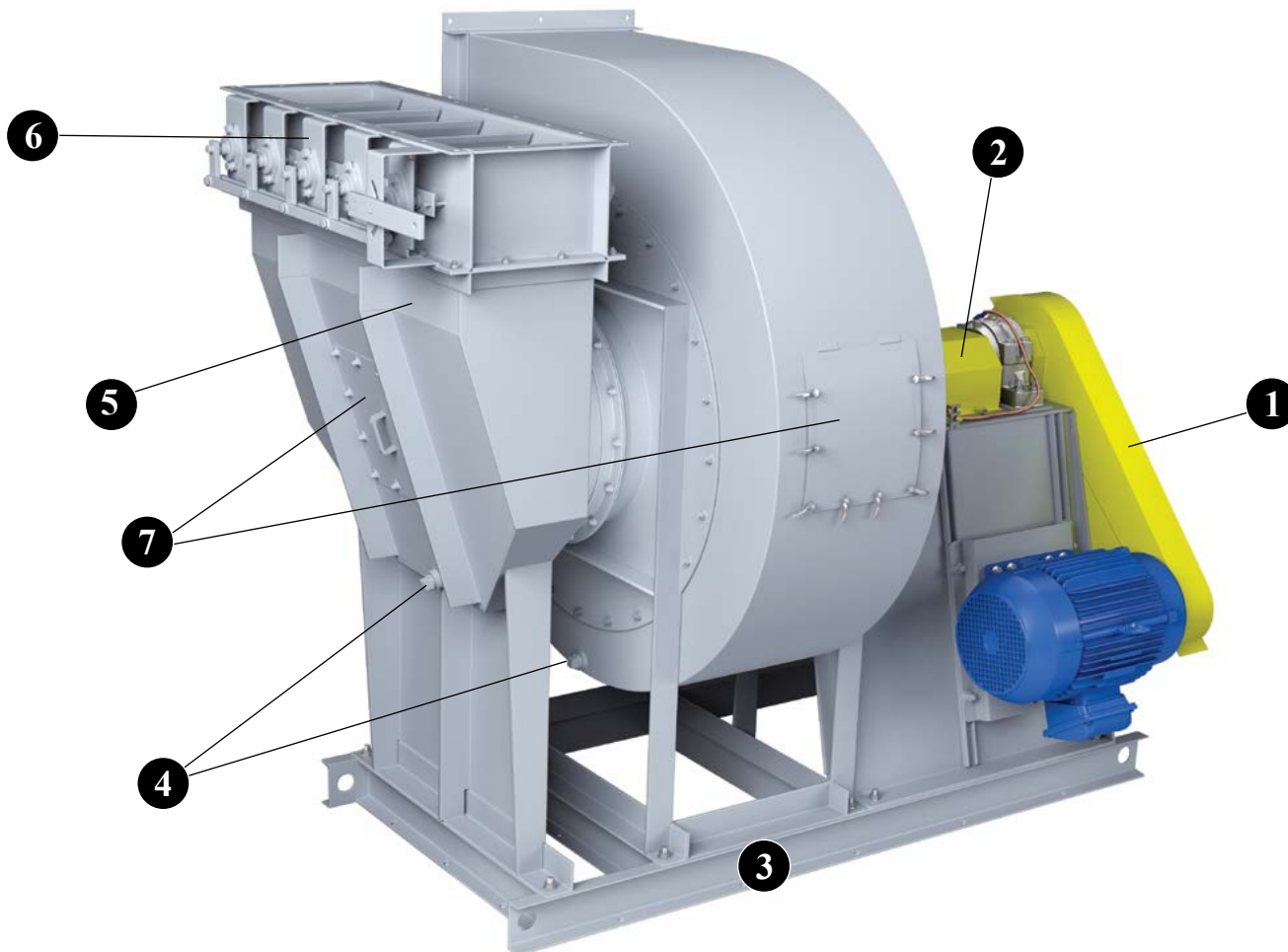
Arrangement 9H

Arrangement 9H fans include a motor slide base mounted on the horizontal motor pedestal. The motor and drive can be installed at the factory or field installed.

Unless otherwise specified, the motor will be installed on the left (L) side of the pedestal on CW fans and on the right (R) side on CCW fans.

Arrangement 10

Arrangement 10 fans are suitable for roof or outdoor installations. A weather cover, not shown, provides complete weather protection for motor, shaft, bearings, and drives. This arrangement is limited to Class 22, sizes 905 through 919. Maximum motor sizes allowable in this arrangement are listed in the table on page 17. Larger fan sizes in this arrangement, or larger motor sizes for smaller fans, may be available on special request from the factory. All usual accessories are available in this arrangement.



1 Belt Guard Belt guard protects personnel from the moving drive parts. OSHA and quick access guards are available.

2 Shaft Guard (Exposed Bearings) A metal guard spanning the shaft between the bearings, allowing open access to the bearings for lubrication and vibration or temperature monitoring. A metal guard covering shaft and bearing is available.

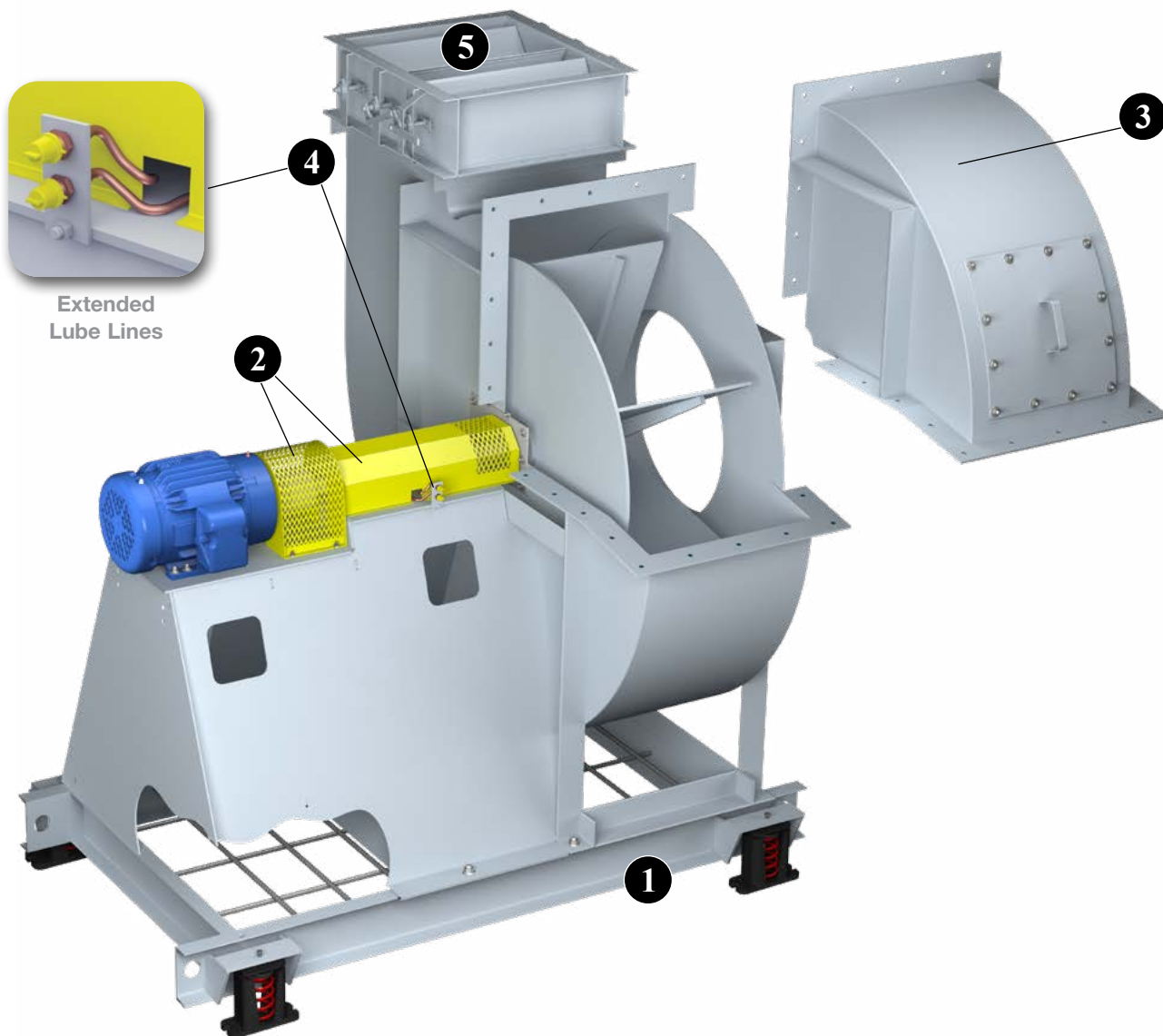
3 Unitary Base A structural steel base provides common support to fan, motor and drive including guards. This style of base is designed for use without isolators and requires adequate foundation integrity for proper operation.

4 Drain A 3/4" NPT coupling can be welded to the lowest point in the housing scroll and inlet box to allow wash water or condensation to drain.

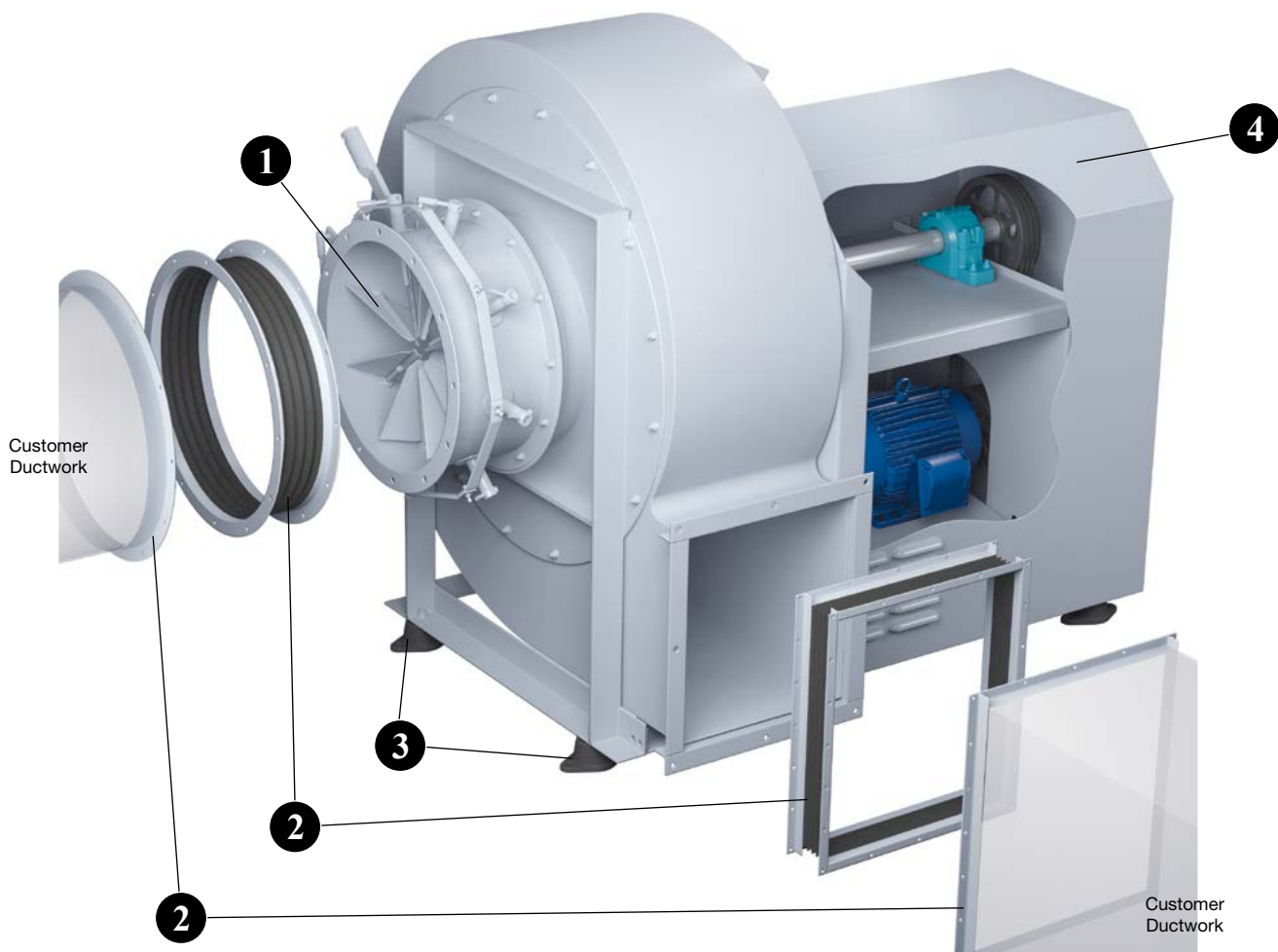
5 Inlet Box An inlet box is designed to minimize pressure drop and airflow losses. Inlet boxes are recommended for applications where uniform flow is difficult to obtain due to limited space or where the air must enter the fan at an angle. Inlet boxes can be either detached or integral to the fan. This option is available with an inlet box damper to provide increased airflow control.

6 Inlet Box Damper The inlet box damper pre-spins the air in the direction of impeller rotation, resulting in a savings in horsepower at reduced loads.

7 Access Door Bolted and quick-opening access doors are available for easy access to the fan interior for inspection or cleaning. All access doors are gasketed and are constructed with either evenly-spaced studs or heavy-duty hinges and handle-type nuts which require no tools to open. Raised bolted access doors are available for use where insulation is being applied to the outside of the fan.



- 1 Inertia Bases** provide a common support to fan, motor and drive including guards and utilize heavy-duty structural channel with spring isolators. Inertia bases incorporate reinforcing rods and require customer supplied concrete. Inertia bases are typically used on longer, direct drive fans to mitigate assembly deflection, maintaining proper alignment between the motor, coupling, shaft and bearings. Flexible connectors at inlet and outlet are required.
- 2 Shaft, Bearing, Coupling Guards** Sheet metal guards cover shaft and bearings. An exposed bearing shaft guard spanning the shaft between the bearings is available to provide open access to bearings for lubrication and vibration or temperature monitoring. Coupling guards are designed to cover the rotating shaft and coupling components.
- 3 Pie-Shaped Split Housings** allow fan impeller and shaft removal without disconnecting ductwork.
- 4 Extended Lube Lines** Allow for easy lubrication of bearings on belt driven units without disassembly of guards by extending lubrication lines from fan bearings to common point.
- 5 Opposed Blade Outlet Damper** Outlet dampers add resistance to the fan by shifting the operating point to the left of the rating point. The horsepower savings depends on the relative position on the fan curve and is usually much less than other methods. Outlet dampers are typically the least expensive option and should be considered when infrequent operation at lesser capacity is desired or when handling hot, humid or particulate-laden air. Opposed blade dampers are recommended for systems where volume is modulated over the entire range. Opposed blades reduce air volume in a closer relationship to the control arm movement. Outlet dampers are available to 750°F construction.



1 External Inlet Vanes for reduced flow situations with relatively clean air, inlet vane type dampers are available to maintain fan efficiency. The inlet vanes are external type attached to the inlet of the fan. Standard construction inlet vanes are suitable in applications up to 300°F. High temperature inlet vanes are also available for temperatures up to 600°F.

2 Inlet/Outlet Companion Flanges & Flex Connectors (Round & Rectangular) Companion flanges are commonly connected to a user's duct for easy installation of flexible connections between the fan and duct. Companion flanges and flex connectors are punched to match the fan's inlet or outlet hole patterns.

3 RIS Isolators are designed to limit forces transmitted to the support structure of an operating fan. Constructed of structural angle, the optional rails extend the distance between mounting points distributing a more even load to the isolators. Spring isolators are also available. Flexible connectors at inlet and outlet are required.

4 Weather Cover For outdoor installations, the weather cover completely encloses the motor and V-belt drive from the elements. Provided with slots for ventilation, the cover is easily removable for inspection and maintenance. Weather covers are available on Arrangement 10 fans.

Other Options/Accessories Include:

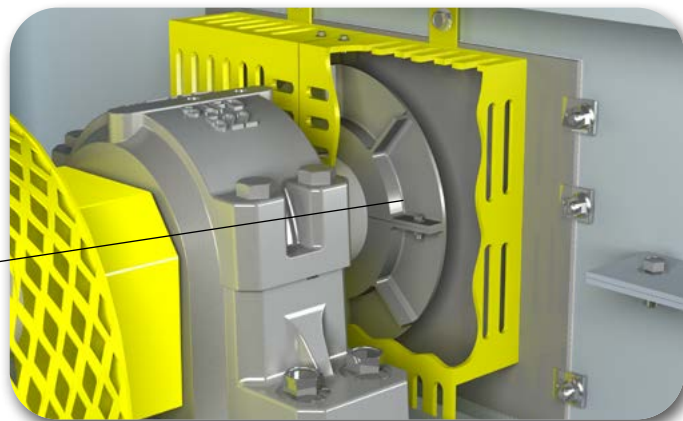
- Integrated Inlet Boxes
- Raised Access Door
- Special Width & Diameter Impellers
- Abrasion Resistance Steel
- Insulation Pins
- Spark Resistant Construction
- Variable Frequency Drives
- Shaft Seal
- V-Belts
- Bearing RTD
- Vibration Sensors
- Steel Wall & Aluminum Clad Housing
- Bearing Upgrades
- Inlet Bell With Inlet Screen
- Inlet/Outlet Screens
- Isolation Base
- Special Materials/Coatings
- Breaker Tabs (RBP Only)

High Temperature Construction

Fan design options are available to handle airstream temperatures to 800°F. Consult your Aerovent representative for applications over 800°F. The fan bearings should be kept outside of the hot airstream and below 130°F ambient. High temperature operating limits, available arrangements, and necessary modifications are shown in Table 1.

Shaft Cooler (Heat Slinger)

Cast aluminum shaft cooler dissipates the heat transferred to the shaft from the airstream protecting the fan bearings. Recommended for applications over 300°F.



Shaft Cooler & Safety Guard

Table 1. High Temperature Construction Requirements

TEMPERATURE (°F)	TYPE OF BEARING	LUBRICATION	OTHER REQUIREMENTS	AVAILABLE ARRANGEMENTS
-20° to 300°	Ball or Roller	Grease	Standard Fan	Arr. 1, 4, 8, 9 & 10; Arr. 4 limited to 180°F
300° to 500°	Ball or Roller	High Temp. Grease	Shaft Cooler, Shaft Seal Expansion & Non-Expansion Bearings	Arr. 1, 8, 9 and 10*
500° to 800°	Ball or Roller	High Temp. Grease	High Temp. Aluminum Paint, Shaft Cooler, Shaft Seal, Expansion and Non-Expansion Bearings	Arr. 1, 8, 9 & 10*; (Arr. 9 & 10 limited to 600°F unless fan is insulated.)
800° to 1000°	Ball or Roller	High Temp. Grease	Consult Factory	

*Arrangement 10 includes insulated pedestal

Derating Factors For High Temperature

When elevated temperatures are encountered, maximum RPMs allowable as shown on page 16 must be derated according to Table 2. Standard steel construction is suitable for use in gas temperatures up to 800°F. Aluminum impellers are suitable for temperatures up to 250°F only. For higher maximum RPM or elevated temperatures consult factory.

Table 2. Derating Factors For High Temperature

TEMP. (°F)	DERATING FACTOR					
	MHO (22, 32); MHA (22); MHW (22, 32)		MHA (32); MHP (32)		MHO (45); MHA (45); MHP (45)	
	STD STEEL	STAINLESS	50 KSI	STAINLESS	50 KSI	STAINLESS
70	1.000	0.970	1.000	0.786	1.000	0.786
200	0.990	0.890	0.990	0.747	0.990	0.747
300	0.975	0.840	0.975	0.720	0.975	0.720
400	0.955	0.810	0.957	0.690	0.955	0.690
500	0.930	0.770	0.931	0.661	0.930	0.661
600	0.900	0.760	0.904	0.636	0.904	0.636
700	0.800	0.740	0.880	0.611	0.880	0.611
800	0.600	0.720	0.837	0.593	0.837	0.593
900	—	0.710	—	0.576	—	0.576
1000	—	0.680	—	0.550	—	0.550

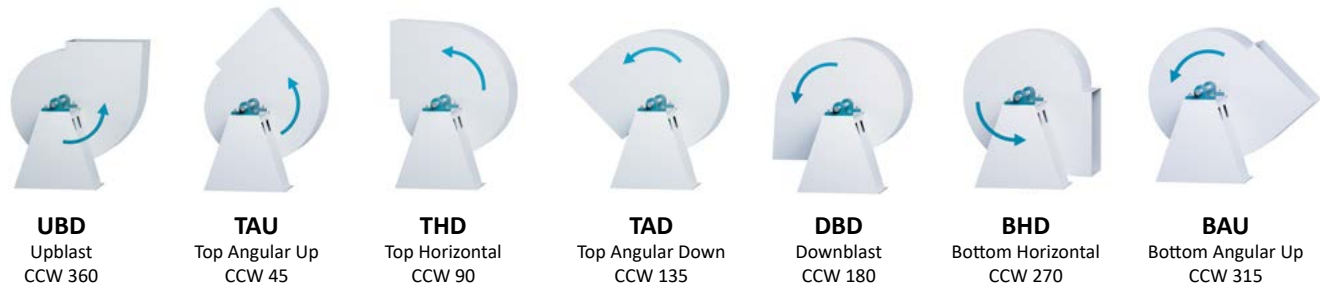


Standard Configurations

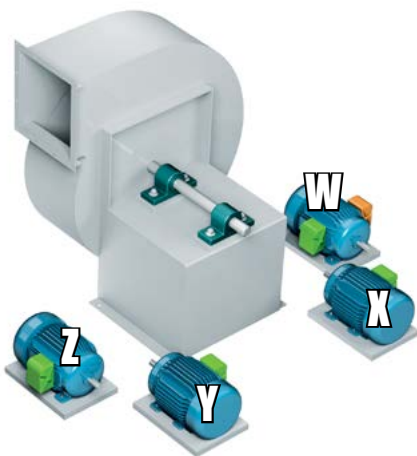
CLOCKWISE (CW) - ROTATION & DISCHARGE (ROTATION VIEW FROM DRIVE SIDE)



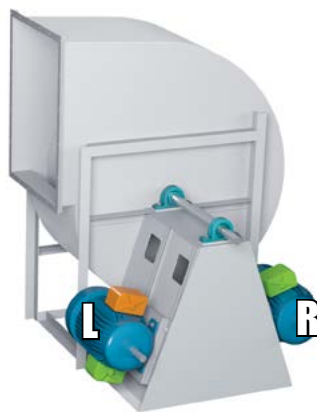
COUNTER CLOCKWISE (CCW) - ROTATION & DISCHARGE (ROTATION VIEW FROM DRIVE SIDE)



Motor Positions



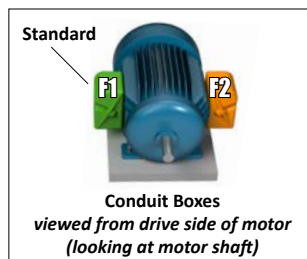
Arrangement 1



Arrangement 9



Arrangement 9F



Rotatable and Reversible Configuration

The table below identifies fans that are rotatable or reversible. A fan available in a rotatable configuration indicates that the fan can be rotated in the field to any of the standard discharge locations. A fan available in a reversible configuration indicates that the impeller rotation can be changed in the field from a clockwise to a counterclockwise direction or vice versa. This is possible only on rotatable housings and requires the impeller housing to be removed and reversed. Consult the factory before reversing a fan.

MH Series Availability

SIZE	IMPELLER TYPE	ROTATABLE HOUSING DISCHARGE	REVERSIBLE ROTATION	CLASS 22 ARRANGEMENTS	CLASS 32 ARRANGEMENTS	CLASS 45 ARRANGEMENTS
905	MHO	Yes	Yes	1, 8, 10, 9A, 9B	—	—
907-909		Yes	Yes	1, 8, 10, 9A, 9B, 9F	—	—
911		Yes	Yes	1, 8, 10, 9A, 9B, 9F	1, 8, 9, 9F	—
913-919		Yes	Yes	1, 8, 10, 9A, 9B, 9F	1, 8, 9, 9F	1, 8, 9, 9F
921		No	No	1, 8, 10, 9A, 9B, 9F, 9H	1, 8, 9, 9F, 9H	1, 8, 9, 9F, 9H
923		No	No	1, 8, 10, 9A, 9B, 9F, 9H	1, 8, 9, 9F, 9H	1, 8, 9, 9F, 9H
926		No	No	1, 8, 10, 9A, 9B, 9F, 9H	—	—
929		No	No	1, 8, 9A, 9B, 9F, 9H	—	—
933-960		No	No	1, 8, 9, 9F, 9H	—	—
926-941		MHR	No	No	—	1, 8, 9, 9F, 9H
945-949	No		No	—	1, 8, 9, 9F, 9H	—
907-909	MHA, MHW *	Yes	No	1, 4, 8, 10, 4VI, 9A, 9B, 9F	—	—
911		Yes	No	1, 4, 8, 10, 4VI, 9A, 9B, 9F	1, 4, 8, 9, 4VI, 9F	—
913-919		Yes	No	1, 4, 8, 10, 4VI, 9A, 9B, 9F	1, 4, 8, 9, 4VI, 9F	1, 8, 9, 9F
921		No	No	1, 4, 8, 10, 4VI, 9A, 9B, 9F, 9H	1, 4, 8, 9, 4VI, 9F, 9H	1, 8, 9, 9F, 9H
923-926		No	No	1, 8, 10, 9A, 9B, 9F, 9H	1, 8, 9, 9F, 9H	1, 8, 9, 9F, 9H
929		No	No	1, 8, 9A, 9B, 9F, 9H	1, 8, 9, 9F, 9H	1, 8, 9, 9F, 9H
933-941		No	No	1, 8, 9, 9F, 9H	1, 8, 9, 9F, 9H	1, 8, 9, 9F, 9H
945-949		No	No	1, 8, 9, 9F, 9H	1, 8, 9, 9F, 9H	—
954-960		No	No	1, 8, 9, 9F, 9H	—	—
911	MHP	Yes	No	—	1, 9, 9F	—
913-919		Yes	No	—	1, 9, 9F	1, 9, 9F
921-949		No	No	—	1, 9, 9F, 9H	—

* Note: MHW fans are Class 22 and 32 only.

Industrial fan housings are constructed in all usual arrangements and conform to AMCA Standard 2404-72 (Drive Arrangements for Centrifugal Fans). The fan sizes and impeller diameters conform to AMCA Standard 2402-66 (Sizes for Industrial Centrifugal Fans).

AMCA does not have a standard for industrial fans designating class of operation. Aerovent offers three basic categories, based on performance, of industrial fans.





Unitary Bases

A structural steel base provides common support to fan, motor and drive including guards. This style of base is designed for use without isolators and requires adequate foundation integrity for proper operation.



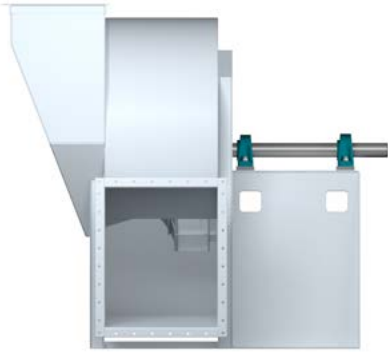
Isolation Bases

Isolation bases provide a common support to fan, motor and drive, including guards. Constructed with heavy-duty structural channels and includes spring isolations. Not available on Arrangement 8. Flexible connectors at inlet and outlet are required.



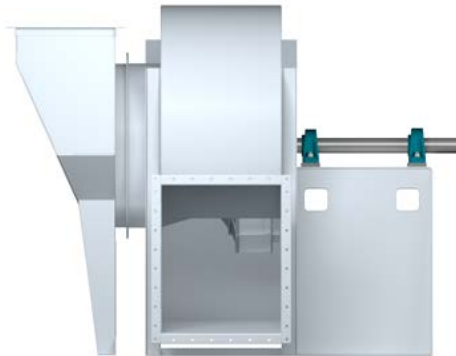
Inertia Bases

Inertia bases provide a common support to fan, motor and drive including guards and utilize heavy-duty structural channel with spring isolators. Inertia bases incorporate reinforcing rods and require customer supplied concrete. Inertia bases are typically used on longer, direct drive fans to mitigate assembly deflection, maintaining proper alignment between the motor, coupling, shaft and bearings. Flexible connectors at inlet and outlet are required.



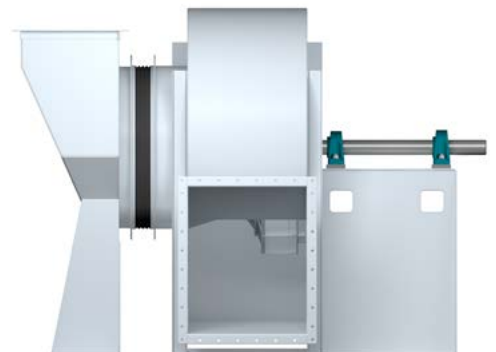
INTEGRAL INLET BOX (ATTACHED)

Arrangement 1 fan with attached or integral inlet box. Can be supplied in Arrangement 8.



DETACHED INLET BOX (BOLT ON)

Arrangement 1 fan with detached inlet box. Can be supplied in Arrangement 8.



DETACHED INLET BOX (FREE STANDING)

Self-supporting units with independent mounting frames.

Inlet Box Positions for Centrifugal Fans

INLET BOX POSITIONS AND DESCRIPTIONS

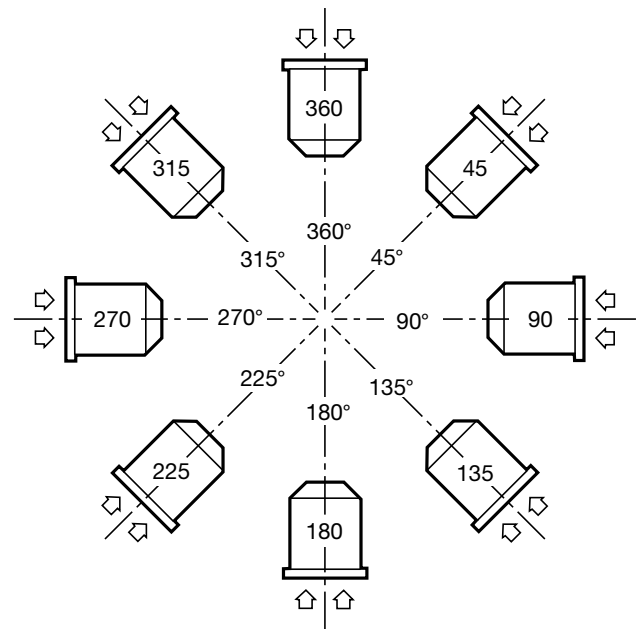
45	Angular Down Intake
90	Horizontal Right Intake
135	Angular Up Intake
180	Bottom Up Intake
225	Angular Up Intake
270	Horizontal Left Intake
315	Angular Down Intake
360	Top Down Intake

Reference line is the Top Vertical Axis through center of fan shaft.

Position of inlet box and air entry to inlet box is determined from drive side of fan.

Position of inlet box is designated in degrees clockwise from Top Vertical Axis as shown.

Positions 135° to 225° in some cases interfere seriously with floor structure.



Maximum RPM, Impeller Weights and WR² (Moment of Inertia)

FAN SIZE	MODEL MHO/MHR									MODEL MHW					
	IMPELLER WT. (LB)			WR ² (LB-FT ²)			MAX. RPM			IMPELLER WT. (LB)		WR ² (LB-FT ²)		MAX. RPM	
	CL 22	CL 32	CL 45	CL 22	CL 32	CL 45	CL 22	CL 32	CL 45	CL 22	CL 32	CL 22	CL 32	CL 22	CL 32
905	8	—	—	0.39	—	—	5500	—	—	—	—	—	—	—	—
907	13.3	—	—	1.39	—	—	5296	—	—	18	—	2.4	—	5457	—
909	16.5	—	—	2.32	—	—	4156	—	—	30	—	6.3	—	4192	—
911	43.9	44.8	—	8.7	8.77	—	3283	3844	—	64	69	21	22	3495	4016
913	51.5	51.5	63	13.7	13.7	27.6	2822	3378	4000	87	93	39	42	2922	3373
915	81.6	105	78	32.2	38.4	45.3	2485	2923	3500	135	146	81	88	2531	2921
917	125	126	108	62.7	62.8	80.7	2191	2577	3092	173	188	133	144	2232	2576
919	155	165	158	95.9	99.4	146	1951	2315	2777	227	245	216	233	2004	2313
921	202	202	190	167	167	215	1778	2092	2510	305	330	355	385	1791	2091
923	223	255	230	215	232	312	1623	1910	2292	375	406	525	568	1635	1912
926	266	427	448	461	740	776	1439	1693	2032	461	501	822	894	1449	1696
929	332	551	550	719	1196	1192	1286	1513	1815	586	637	1308	1422	1295	1515
933	509	785	790	1433	2207	2222	1129	1329	1594	1000	1086	2894	3142	1137	1330
937	620	983	983	2186	3465	3465	1009	1187	1424	1252	1362	4541	4941	1015	1188
941	795	1214	1265	3435	5244	5464	911	1072	1286	1546	1670	6867	7463	917	1024
945	1212	1715	—	6314	8936	—	837	976	—	1844	2009	9883	10763	835	978
949	1418	2047	—	8768	12653	—	757	896	—	2236	2432	14220	15469	767	900
954	2754	—	—	20590	—	—	692	—	—	2685	—	20655	—	696	—
960	3355	—	—	31014	—	—	622	—	—	3381	—	32161	—	627	—

FAN SIZE	MODEL MHP						MODEL MHA								
	IMPELLER WT. (LB)		WR ² (LB-FT ²)		MAX. RPM		IMPELLER WT. (LB)			WR ² (LB-FT ²)			MAX. RPM		
	CL 32	CL 45	CL 32	CL 45	CL 32	CL 45	CL 22	CL 32	CL 45	CL 22	CL 32	CL 45	CL 22	CL 32	CL 45
905	—	—	—	—	—	—	—	—	—	—	—	—	—	—	—
907	—	—	—	—	—	—	14	—	—	2	—	—	5273	—	—
909	—	—	—	—	—	—	26	—	—	7	—	—	4134	—	—
911	80	—	C.F.	—	3495	—	46	50	—	17	17	—	3373	4000	—
913	125	133	C.F.	C.F.	2922	3373	68	70	91	34	34	46	2812	3337	4000
915	174	186	C.F.	C.F.	2531	2921	104	107	138	70	71	92	2521	2910	3240
917	220	235	C.F.	C.F.	2232	2576	110	154	190	96	131	163	2147	2566	3092
919	277	297	C.F.	C.F.	2004	2313	166	192	235	178	202	250	1928	2304	2777
921	327	349	C.F.	C.F.	1791	2091	224	254	306	291	327	398	1733	2083	2510
923	384	413	C.F.	C.F.	1635	1912	268	338	363	419	532	567	1581	1905	2292
926	539	586	C.F.	C.F.	1449	1696	342	434	452	680	875	900	1402	1689	2032
929	—	—	—	—	—	—	486	542	590	1201	1366	1468	1253	1509	1815
933	—	—	—	—	—	—	713	848	888	2280	2745	2866	1100	1325	1594
937	—	—	—	—	—	—	962	1060	1100	3851	4299	4455	983	1184	1424
941	—	—	—	—	—	—	1178	1318	1592	5780	6542	7892	888	1070	1286
945	—	—	—	—	—	—	1800	1636	—	10901	9766	—	809	974	—
949	—	—	—	—	—	—	2114	2191	—	14938	15560	—	743	894	—
954	—	—	—	—	—	—	2580	—	—	21989	—	—	674	—	—
960	—	—	—	—	—	—	3462	—	—	36440	—	—	607	—	—

Bare Fan Weights (lb)

FAN SIZE	ARRANGEMENTS																
	CLASS 22								CLASS 32					CLASS 45			
	1	4	4VI	8	9	9A, 9B	9F	10	1	4	4VI	8	9, 9F	1	4	8	9 & 9F
905	100	—	—	130	—	107	—	107	—	—	—	—	—	—	—	—	—
907	133	126	—	173	—	183	183	183	—	—	—	—	—	—	—	—	—
909	174	165	—	226	—	244	244	244	—	—	—	—	—	—	—	—	—
911	333	316	—	433	—	423	423	423	379	360	—	493	491	—	—	—	—
913	421	400	—	547	—	528	528	528	501	476	—	651	658	584	584	759	797
915	612	581	—	796	—	711	711	711	716	680	—	931	841	805	805	1047	1061
917	747	710	—	971	—	859	859	859	876	832	—	1139	1014	1006	1006	1308	1256
919	943	896	—	1226	—	1086	1086	1086	1104	1049	—	1435	1313	1201	—	1561	1410
921	1626	1545	—	2114	—	1746	1746	1746	1737	1650	—	2258	1955	1867	—	2427	2084
923	1956	—	—	2543	—	2088	2088	2088	2273	—	—	2955	2575	2445	—	3179	2667
926	2456	—	—	3193	—	2608	2608	2608	2773	—	—	3605	3077	3086	—	4012	3319
929	2982	—	—	3877	—	3142	3142	—	3602	—	—	4683	3962	3818	—	4963	4093
933	3435	—	—	4466	3512	—	3512	—	4135	—	—	5376	4379	4536	—	5897	4699
937	4333	—	—	5633	4437	—	4437	—	5219	—	—	6785	5489	5495	—	7144	5676
941	5502	—	—	7153	5821	—	5821	—	6330	—	—	8229	6712	6770	—	8801	7072
945	6758	—	—	8785	7087	—	7087	—	7776	—	—	10109	8166	—	—	—	—
949	8932	—	—	11612	9632	—	9632	—	9179	—	—	11933	9601	—	—	—	—
954	11835	—	—	15386	12667	—	12667	—	—	—	—	—	—	—	—	—	—
960	14430	—	—	18759	15374	—	15374	—	—	—	—	—	—	—	—	—	—

NOTE: Weights are less motor, drives and accessories

Maximum Motor Frame Size

FAN SIZE	CLASS 22				CLASS 32		CLASS 45		
	9A	9B	9	9F	10	9	9F	9	9F
905	—	—	—	—	145T	—	—	—	—
907	184T	215T	—	215T	184T	—	—	—	—
909	184T	256T	—	256T	215T	—	—	—	—
911	215T	256T	—	284T	256T	256T	286T	—	—
913	215T	286T	—	324T	256T	286T	326T	286T	326T
915	256T	286T	—	324T	286T	286T	326T	286T	326T
917	256T	326T	—	326T	286T	326T	365T	326T	365T
919	286T	365T	—	365T	326T	365T	405T	365T	405T
921	326T	365T	—	365T	—	365T	405T	365T	405T
923	326T	365T	—	365T	—	365T	445T	365T	445T
926	365T	405T	—	405T	—	405T	445T	405T	445T
929	365T	405T	—	444T	—	405T	445T	405T	445T
933	—	—	405T	445T	—	405T	445T	405T	445T
937	—	—	405T	445T	—	405T	445T	405T	445T
941	—	—	405T	445T	—	405T	445T	405T	445T
945	—	—	405T	445T	—	405T	445T	—	—
949	—	—	405T	445T	—	405T	445T	—	—
954	—	—	405T	445T	—	—	—	—	—
960	—	—	405T	445T	—	—	—	—	—



Material Specifications

FAN SIZE	HOUSING								
	CLASS 22			CLASS 32			CLASS 45		
	SIDES	SIDE PLATES	SCROLL	SIDES	SIDE PLATES	SCROLL	SIDES	SIDE PLATES	SCROLL
905	12 GA.	10 GA.	12 GA.	—	—	—	—	—	—
907	12 GA.	10 GA.	12 GA.	—	—	—	—	—	—
909	12 GA.	10 GA.	12 GA.	—	—	—	—	—	—
911	10 GA.	10 GA.	10 GA.	7 GA.	7 GA.	7 GA.	—	—	—
913	10 GA.	10 GA.	10 GA.	7 GA.	7 GA.	7 GA.	7 GA.	7 GA.	7 GA.
915	10 GA.	10 GA.	10 GA.	7 GA.	7 GA.	7 GA.	7 GA.	7 GA.	7 GA.
917	10 GA.	10 GA.	10 GA.	7 GA.	7 GA.	7 GA.	0.25	7 GA.	0.25
919	10 GA.	10 GA.	10 GA.	7 GA.	7 GA.	7 GA.	0.25	7 GA.	0.25
921	10 GA.	7 GA.	10 GA.	7 GA.	7 GA.	7 GA.	0.25	7 GA.	0.25
923	7 GA.	7 GA.	7 GA.	0.25	0.25	7 GA.	0.25	7 GA.	0.25
926	7 GA.	7 GA.	7 GA.	0.25	0.25	0.25	0.25	0.25	0.25
929	7 GA.	7 GA.	7 GA.	0.25	0.25	0.25	0.25	0.25	0.25
933	7 GA.	7 GA.	7 GA.	0.25	0.25	0.25	0.25	0.25	0.25
937	0.25	0.25	7 GA.	0.25	0.25	0.25	0.25	0.25	0.25
941	0.25	0.25	7 GA.	0.25	0.25	0.25	0.31	0.25	0.25
945	0.25	0.25	7 GA.	0.25	0.25	0.25	—	—	—
949	0.25	0.25	0.25	0.25	0.25	0.25	—	—	—
954	0.31	0.31	0.31	—	—	—	—	—	—
960	0.31	0.31	0.31	—	—	—	—	—	—

FAN SIZE	MHO / MHR IMPELLER (SEE NOTE 1)			MHW IMPLR (SEE NOTE 1)			MHA IMPELLER (SEE NOTE 1)									
	BLADE			RBR RIM		BACK-PLATES	BLADE		BACKPLATES		IMPELLER CONE		BLADE			
	CL. 22	CL. 32	CL. 45	CL. 32	CL. 45		CL. 22	CL. 32	CL. 22	CL. 32	CL. 22	CL. 32	CL. 45	CL. 22	CL. 32	CL. 45
905	10 GA.	—	—	—	—	0.25	0.19	—	—	—	—	—	—	—	—	—
907	10 GA.	—	—	—	—	0.25	0.19	—	0.19	—	10 GA.	—	10 GA.	—	—	—
909	10 GA.	—	—	—	—	0.25	0.19	—	0.19	—	10 GA.	—	7 GA.	—	—	—
911	7 GA.	0.25	—	—	—	0.25	0.25	0.25	0.25	—	10 GA.	—	7 GA.	7 GA.	7 GA.	—
913	7 GA.	0.25	0.25	—	—	0.25	0.25	0.25	0.25	0.25	10 GA.	10 GA.	7 GA.	7 GA.	7 GA.	7 GA.
915	0.25	0.25	0.25	—	—	0.31	0.31	0.31	0.31	0.31	7 GA.	7 GA.	7 GA.	7 GA.	7 GA.	7 GA.
917	0.25	0.25	0.25	—	—	0.31	0.31	0.31	0.31	0.31	7 GA.	7 GA.	7 GA.	0.25	0.25	0.25
919	0.31	0.31	0.31	—	—	0.31	0.31	0.31	0.31	0.31	7 GA.	7 GA.	7 GA.	0.25	0.25	0.25
921	0.31	0.31	0.31	—	—	0.38	0.38	0.38	0.38	0.38	7 GA.	7 GA.	7 GA.	0.25	0.25	0.25
923	0.31	0.31	0.31	—	—	0.38	0.38	0.38	0.38	0.38	7 GA.	7 GA.	7 GA.	0.25	0.25	0.25
926	0.31	0.31	0.31	0.25	0.25	0.38	0.38	0.38	0.38	0.38	7 GA.	7 GA.	7 GA.	0.25	0.25	0.25
929	0.31	0.31	0.31	0.25	0.25	0.38	0.38	0.38	0.38	0.38	7 GA.	7 GA.	0.25	0.25	0.25	0.25
933	0.38	0.38	0.38	0.25	0.25	0.50	0.50	0.50	0.50	0.50	7 GA.	7 GA.	0.25	0.25	0.25	0.25
937	0.38	0.38	0.38	0.25	0.25	0.50	0.50	0.50	0.50	0.50	7 GA.	7 GA.	0.25	0.25	0.25	0.25
941	0.38	0.38	0.38	0.25	0.25	0.50	0.50	0.50	0.50	0.50	7 GA.	7 GA.	0.25	0.31	0.31	0.31
945	0.50	0.50	—	0.25	—	0.50	0.50	—	0.63	—	0.25	—	0.25	0.31	—	—
949	0.50	0.50	—	0.25	—	0.50	0.50	—	0.63	—	0.25	—	0.25	0.38	—	—
954	0.75	—	—	—	—	0.50	0.50	—	0.63	—	0.25	—	0.31	—	—	—
960	0.75	—	—	—	—	0.50	0.50	—	0.75	—	0.25	—	0.31	—	—	—

NOTE:

1. Gauges listed are for standard steel impeller; steel alloy will vary with size and class.



Bearings

FAN SIZE	MHO / MHR / MHA / MHW - ARRANGEMENTS 1, 9, 9F, 10						MHA - ARRANGEMENT 8					
	CL. 22		CL. 32		CL. 45		CL. 22		CL. 32		CL. 45	
	SHAFT DIA.	BRG TYPE	SHAFT DIA.	BRG TYPE	SHAFT DIA.	BRG TYPE	SHAFT DIA.	BRG TYPE	SHAFT DIA.	BRG TYPE	SHAFT DIA.	BRG TYPE
905	1	HDB	—	—	—	—	—	—	—	—	—	—
907	1-7/16	HDB	—	—	—	—	1	SDB-C	—	—	—	—
909	1-7/16	HDB	—	—	—	—	1-3/16	SDB-C	—	—	—	—
911	1-11/16	HDB	1-15/16	RB-C & RB-CE	—	—	1-7/16	SDB-C	1-11/16	SDB-C	—	—
913	1-11/16	HDB	1-15/16	RB-C & RB-CE	2-3/16	RB-C & RB-CE	1-11/16	SDB-C	1-15/16	SDB-C	2-3/16	HDB-C
915	2-3/16	HDB-C	2-7/16	RB-C & RB-CE	2-7/16	RB-C & RB-CE	1-15/16	SDB-C	2-3/16	SDB-C	2-7/16	SDB-C
917	2-3/16	HDB-C	2-7/16	RB & RB-E	2-11/16	RB-C & RB-CE	2-3/16	SDB-C	2-7/16	SDB-C	2-15/16	RB-C & RB-CE
919	2-3/16	RB & RB-E	2-15/16	RB-C & RB-CE	2-15/16	RB-C & RB-CE	2-3/16	RB & RB-E	2-7/16	RB-C & RB-CE	2-15/16	RB-C & RB-CE
921	2-7/16	RB & RB-E	2-15/16	RB & RB-E	2-15/16	RB-C & RB-CE	2-3/16	RB & RB-E	2-7/16	RB-C & RB-CE	2-15/16	RB-C & RB-CE
923	2-7/16	RB & RB-E	3-7/16	RB & RB-E	3-7/16	RB-C & RB-CE	2-3/16	RB & RB-E	2-11/16	RB-C & RB-CE	3-7/16	RB-C & RB-CE
926	2-15/16	RB & RB-E	3-7/16	RB-C & RB-CE	3-15/16	RB-C & RB-CE	2-7/16	RB-C & RB-CE	2-11/16	RB-C & RB-CE	3-7/16	RB-C & RB-CE
929	3-7/16	RB & RB-E	3-15/16	RB-C & RB-CE	3-15/16	SRB	2-7/16	RB-C & RB-CE	2-15/16	RB-C & RB-CE	3-7/16	RB-C & RB-CE
933	3-7/16	RB & RB-E	3-15/16	RB-C & RB-CE	4-7/16	SRB	2-15/16	RB & RB-E	3-7/16	RB-C & RB-CE	3-15/16	RB-C & RB-CE
937	3-7/16	RB & RB-E	4-15/16	SRB	4-15/16	SRB	3-7/16	RB & RB-E	3-7/16	RB & RB-E	3-15/16	RB-C & RB-CE
941	3-15/16	SRB	4-15/16	SRB	5-7/16	SRB	3-7/16	RB & RB-E	3-15/16	RB & RB-E	4-15/16	RB-C & RB-CE
945	3-15/16	SRB	4-15/16	SRB	—	—	3-15/16	RB & RB-E	4-7/16	RB & RB-E	—	—
949	4-7/16	SRB	5-7/16	SRB	—	—	4-7/16	RB & RB-E	4-15/16	RB & RB-E	—	—
954	5-7/16	SRB	—	—	—	—	4-15/16	RB & RB-E	—	—	—	—
960	5-15/16	SRB	—	—	—	—	5-7/16	SRB	—	—	—	—

FAN SIZE	MHO / MHR - ARRANGEMENT 8						MHW - ARRANGEMENT 8				MHP
	CL. 22		CL. 32		CL. 45		CL. 22		CL. 32		
	SHAFT DIA.	BRG TYPE	SHAFT DIA.	BRG TYPE	SHAFT DIA.	BRG TYPE	SHAFT DIA.	BRG TYPE	SHAFT DIA.	BRG TYPE	
905	—	—	—	—	—	—	—	—	—	—	—
907	1-3/16	SDB-C	—	—	—	—	1	SDB-C	—	—	—
909	1-7/16	SDB-C	—	—	—	—	1-7/16	SDB-C	—	—	—
911	1-11/16	SDB-C	1-15/16	SDB-C	—	—	1-11/16	SDB-C	1-11/16	SDB-C	CONSULT FACTORY
913	1-11/16	SDB-C	1-15/16	SDB-C	2-3/16	HDB-C	1-7/16	SDB-C	1-11/16	SDB-C	
915	1-15/16	SDB-C	2-7/16	SDB-C	2-3/16	SDB-C	1-11/16	SDB-C	2-3/16	HDB-C	
917	2-3/16	SDB-C	2-7/16	SDB-C	2-7/16	SDB-C	2-3/16	HDB-C	2-3/16	RB-C & RB-CE	
919	2-3/16	SDB	2-7/16	SDB-C	2-11/16	HDB-C	1-15/16	RB-C & RB-CE	2-3/16	RB-C & RB-CE	
921	2-7/16	SDB-C	2-11/16	HDB-C	3-7/16	SHDB	2-3/16	RB & RB-E	2-11/16	RB-C & RB-CE	
923	2-7/16	SDB-C	2-15/16	HDB-C	3-7/16	SHDB	2-7/16	RB-C & RB-CE	2-11/16	RB-C & RB-CE	
926	2-7/16	SDB	3-7/16	HDB-C	3-15/16	RB-C & RB-CE	2-7/16	RB-C & RB-CE	2-15/16	RB-C & RB-CE	
929	2-11/16	SDB	3-15/16	RB-C & RB-CE	3-15/16	RB-C & RB-CE	2-7/16	RB-C & RB-CE	2-15/16	RB-C & RB-CE	
933	2-15/16	HDB	4-7/16	RB-C & RB-CE	4-15/16	RB-C & RB-CE	3-7/16	RB & RB-E	3-7/16	RB-C & RB-CE	
937	3-7/16	HDB	4-7/16	RB-C & RB-CE	4-15/16	RB-C & RB-CE	3-7/16	RB & RB-E	3-7/16	RB & RB-E	
941	3-7/16	RB & RB-E	4-7/16	RB-C & RB-CE	5-7/16	SRB	3-15/16	RB & RB-E	3-15/16	RB & RB-E	
945	3-15/16	RB & RB-E	4-15/16	RB-C & RB-CE	—	—	3-15/16	RB & RB-E	4-7/16	RB & RB-E	
949	4-7/16	RB & RB-E	5-7/16	SRB	—	—	4-7/16	RB & RB-E	4-7/16	RB & RB-E	
954	5-7/16	SRB	—	—	—	—	4-15/16	RB & RB-E	—	—	
960	5-15/16	SRB	—	—	—	—	5-7/16	SRB	—	—	

Dimensions are in inches unless otherwise noted.

NOTES:

- Bearing Codes: HDB = Heavy-Duty Ball Bearing
HDB-C = Concentric Heavy-Duty Ball Bearing
RB = Roller Bearing
RB-C & RB-CE = Concentric Roller Bearing

- SDB = Standard Duty Ball Bearing
SDB-C = Concentric Standard Duty Ball Bearing
SHDB = Special Heavy-Duty Ball Bearing
SRB = Spherical Roller Bearings with Split Pillow Block Housings (Bearing Races Not Split)

- Bearing selection is made on the basis of L-10 bearing life to be in no case less than 40,000 hours minimum or L-50 life of 200,000 hours.
- Bearing selection is made at standard temperature. For operating temperatures above 300°F, consult Aerovent.

Performance Data

905

Impeller Diameter: 8.75"
Tip Speed (FPM): 2.29 x RPM

Inlet Area: 0.14 ft²
Inlet Diameter: 5" O.D.

Outlet Area: 0.15 ft²
Outlet Dimension: 4⁵/₁₆" x 4¹¹/₁₆"



MHO | Size 905

Fan Efficiency Grade = FEG63

CFM	OV	0.5" SP		1" SP		1.5" SP		2" SP		2.5" SP		3" SP		3.5" SP		4" SP		4.5" SP		5" SP		5.5" SP	
		RPM	BHP	RPM	BHP	RPM	BHP	RPM	BHP	RPM	BHP	RPM	BHP	RPM	BHP	RPM	BHP	RPM	BHP	RPM	BHP	RPM	BHP
182	1200	1338	0.04	1724	0.07	<u>2042</u>	<u>0.10</u>	<u>2313</u>	<u>0.13</u>	2554	1.00	2774	0.20	2979	0.24	3170	0.28	3350	0.32	3521	0.36	3684	0.40
243	1600	1523	0.06	1854	0.10	2150	0.13	2412	0.17	<u>2648</u>	<u>0.21</u>	<u>2864</u>	<u>0.26</u>	<u>3062</u>	<u>0.30</u>	<u>3248</u>	<u>0.35</u>	3423	0.39	3590	0.44	3750	0.49
304	2000	1733	0.10	2029	0.14	2287	0.19	2529	0.23	2755	0.28	2964	0.33	<u>3159</u>	<u>0.38</u>	<u>3343</u>	<u>0.43</u>	<u>3516</u>	<u>0.48</u>	<u>3680</u>	<u>0.54</u>	<u>3835</u>	<u>0.59</u>
365	2400	1968	0.15	2223	0.20	2462	0.26	2678	0.30	2883	0.36	3081	0.41	3269	0.47	3447	0.53	3615	0.58	<u>3777</u>	<u>0.65</u>	<u>3932</u>	<u>0.71</u>
426	2800	2214	0.23	2436	0.28	2653	0.34	2857	0.40	3044	0.46	3223	0.52	3397	0.58	3566	0.64	3730	0.71	3886	0.77	4036	0.84
486	3200	2465	0.32	2664	0.38	2855	0.44	3044	0.51	3223	0.58	3390	0.65	3549	0.71	3704	0.78	3857	0.85	4006	0.92	4152	1.00
547	3600	2725	0.43	2906	0.50	3077	0.57	3246	0.64	3414	0.72	3575	0.80	3727	0.88	3872	0.95	4012	1.02	4149	1.10	4285	1.18
608	4000	2989	0.58	3154	0.65	3312	0.73	3465	0.80	3617	0.89	3767	0.97	3914	1.06	4054	1.15	4187	1.23	4317	1.32	4443	1.40
669	4400	3256	0.75	3408	0.83	3555	0.92	3695	1.00	3833	1.08	3971	1.18	4108	1.27	4243	1.37	4373	1.47	4498	1.56	4618	1.65
730	4800	3526	0.96	3667	1.05	3803	1.14	3934	1.23	4062	1.32	4188	1.41	4314	1.51	4440	1.62	4564	1.72	4685	1.83	4803	1.94
790	5200	3793	1.20	3924	1.30	4052	1.39	4175	1.49	4295	1.59	4412	1.69	4528	1.79	4645	1.90	4761	2.01	4876	2.12	4990	2.24
851	5600	4066	1.49	4188	1.59	4308	1.69	4424	1.80	4537	1.90	4648	2.01	4756	2.11	4864	2.22	4972	2.33	5080	2.45	5187	2.57
912	6000	4340	1.81	4455	1.92	4568	2.03	4678	2.15	4785	2.26	4889	2.37	4991	2.48	5092	2.59	5193	2.71	5293	2.83		
973	6400	4615	2.18	4724	2.30	4830	2.42	4934	2.54	5036	2.66	5135	2.78	5232	2.90								
1034	6800	4891	2.60	4994	2.73	5094	2.86	5193	2.98	5290	3.11												
1094	7200	5164	3.07	5261	3.20																		

CFM	OV	6" SP		6.5" SP		7" SP		7.5" SP		8" SP		8.5" SP		9" SP		9.5" SP		10" SP		10.5" SP		11" SP	
		RPM	BHP	RPM	BHP	RPM	BHP	RPM	BHP	RPM	BHP	RPM	BHP	RPM	BHP	RPM	BHP	RPM	BHP	RPM	BHP	RPM	BHP
182	1200	3840	0.44	3989	0.49	4134	0.54	4273	0.58	4408	0.63	4539	0.68	4666	0.73	4790	0.78	4911	0.84	5029	0.89	5144	0.94
243	1600	3903	0.54	4051	0.59	4193	0.64	4331	0.69	4464	0.75	4593	0.8	4719	0.86	4842	0.92	4961	0.97	5078	1.03	5192	1.09
304	2000	<u>3985</u>	<u>0.65</u>	4128	0.70	4267	0.76	4402	0.82	4533	0.88	4660	0.94	4784	1.00	4905	1.07	5023	1.13	5139	1.19	5251	1.26
365	2400	4080	0.77	<u>4222</u>	<u>0.83</u>	<u>4359</u>	<u>0.90</u>	<u>4492</u>	<u>0.96</u>	<u>4620</u>	<u>1.03</u>	<u>4744</u>	<u>1.10</u>	<u>4865</u>	<u>1.16</u>	<u>4983</u>	<u>1.23</u>	5099	1.30	5212	1.37		
426	2800	4181	0.91	<u>4321</u>	<u>0.98</u>	<u>4456</u>	<u>1.05</u>	<u>4588</u>	<u>1.12</u>	<u>4715</u>	<u>1.20</u>	<u>4839</u>	<u>1.27</u>	<u>4959</u>	<u>1.35</u>	<u>5076</u>	<u>1.42</u>	<u>5190</u>	<u>1.50</u>				
486	3200	4293	1.07	4429	1.15	4561	1.22	4689	1.30	4814	1.38	<u>4936</u>	<u>1.46</u>	<u>5055</u>	<u>1.54</u>	<u>5171</u>	<u>1.62</u>	<u>5284</u>	<u>1.71</u>				
547	3600	4419	1.26	4550	1.34	4679	1.42	4804	1.51	4926	1.59	5045	1.68	5160	1.77	5274	1.85						
608	4000	4567	1.48	4689	1.56	4810	1.65	4930	1.74	5048	1.83	5164	1.93	5277	2.02								
669	4400	4735	1.74	4850	1.83	4963	1.92	5075	2.01	5186	2.11	5295	2.20										
730	4800	4916	2.04	5027	2.14	5134	2.23	5240	2.33														
790	5200	5101	2.35	5208	2.46																		
851	5600	5293	2.70																				
912	6000																						
973	6400																						
1034	6800																						
1094	7200																						

MAXIMUM RPM: 5296

Selections above 4000 RPM not recommended. Consult factory.

Performance certified is for installation type B & D: Free or ducted inlet, ducted outlet.
Power ratings (BHP) do not include transmission losses.
Performance ratings do not include the effects of appurtenances (accessories).

Underlined figures indicate maximum static efficiency.
Regular face type = Class 22
Bold face type = Class 32



907

Impeller Diameter: 12.25"
Tip Speed (FPM): 3.21 x RPM

Inlet Area: 0.26 ft²
Inlet Diameter: 7" O.D.

Outlet Area: 0.27 ft²
Outlet Dimension: 5 7/8" x 6 5/8"



MHO | Size 907

Fan Efficiency Grade = FEG67

CFM	OV	1" SP		2" SP		4" SP		6" SP		8" SP		12" SP		16" SP		20" SP		24" SP		28" SP		32" SP	
		RPM	BHP	RPM	BHP	RPM	BHP	RPM	BHP	RPM	BHP	RPM	BHP	RPM	BHP	RPM	BHP	RPM	BHP	RPM	BHP	RPM	BHP
324	1200	1179	0.10	1592	0.20	2198	0.41	2666	0.65	3063	0.90												
432	1600	1265	0.15	1650	0.26	<u>2239</u>	<u>0.53</u>	2703	0.81	3096	1.11	3758	1.75										
540	2000	1371	0.21	1728	0.35	<u>2289</u>	<u>0.65</u>	<u>2744</u>	<u>0.98</u>	3134	1.33	3791	2.06	4346	2.84	4837	3.68	5282	4.57				
648	2400	1491	0.29	1821	0.45	2356	0.80	<u>2794</u>	<u>1.17</u>	<u>3177</u>	<u>1.57</u>	3829	2.40	4381	3.27	4868	4.17						
756	2800	1622	0.40	1929	0.58	2435	0.97	2858	1.38	<u>3228</u>	<u>1.82</u>	<u>3870</u>	<u>2.74</u>	4419	3.72	4903	4.72						
864	3200	1762	0.53	2048	0.73	2525	1.16	2933	1.62	3291	2.10	<u>3917</u>	<u>3.11</u>	<u>4459</u>	<u>4.17</u>	4941	5.28						
972	3600	1909	0.69	2173	0.92	2626	1.39	3017	1.89	3365	2.41	<u>3973</u>	<u>3.51</u>	<u>4504</u>	<u>4.66</u>	<u>4982</u>	<u>5.85</u>						
1080	4000	2062	0.89	2307	1.14	2737	1.66	3110	2.20	3446	2.76	4039	3.94	<u>4557</u>	<u>5.18</u>	<u>5026</u>	<u>6.46</u>						
1188	4400	2219	1.12	2446	1.40	2854	1.97	3211	2.55	3535	3.15	4113	4.4	<u>4619</u>	<u>5.73</u>	<u>5078</u>	<u>7.1</u>						
1296	4800	2380	1.40	2591	1.71	2977	2.31	3320	2.94	3632	3.59	4193	4.92	4688	6.32	<u>5137</u>	<u>7.78</u>						
1404	5200	2543	1.72	2739	2.05	3106	2.71	3436	3.38	3736	4.07	4279	5.48	4764	6.95	5204	8.49						
1512	5600	2709	2.09	2892	2.45	<u>3239</u>	<u>3.16</u>	<u>3556</u>	<u>3.87</u>	<u>3846</u>	<u>4.6</u>	4371	6.10	4845	7.65	5276	9.25						
1620	6000	2877	2.52	3048	2.90	3377	3.66	3681	4.42	3962	5.19	4470	6.77	4931	8.40								
1728	6400	3046	3.00	3207	3.40	3519	4.22	3810	5.02	4082	5.83	4575	7.50	5023	9.22								
1836	6800	3216	3.54	3368	3.97	3664	4.83	3942	5.69	4205	6.54	4684	8.29	5119	10.09								
1944	7200	3387	4.15	3531	4.60	3812	5.51	4079	6.42	4332	7.32	4799	9.15	5222	11.04								

MAXIMUM RPM: CLASS 22 = 5296

Selections above 4000 RPM not recommended. Consult factory.



MHA | Size 907

Fan Efficiency Grade = FEG80

CFM	OV	1" SP		2" SP		4" SP		6" SP		8" SP		12" SP		16" SP		20" SP		24" SP		28" SP		32" SP	
		RPM	BHP	RPM	BHP	RPM	BHP	RPM	BHP	RPM	BHP	RPM	BHP	RPM	BHP	RPM	BHP	RPM	BHP	RPM	BHP	RPM	BHP
324	1200	<u>1163</u>	<u>0.08</u>	1574	0.17																		
432	1600	1251	0.12	<u>1626</u>	<u>0.22</u>	2217	0.46	2697	0.72														
540	2000	1351	0.16	1708	0.29	<u>2258</u>	<u>0.56</u>	2716	0.86	3116	1.18												
648	2400	1463	0.22	1800	0.36	<u>2323</u>	<u>0.67</u>	<u>2756</u>	<u>1.01</u>	3141	1.36	3810	2.13										
756	2800	1583	0.29	1902	0.45	2407	0.80	<u>2817</u>	<u>1.17</u>	<u>3184</u>	<u>1.56</u>	3831	2.40	4395	3.30								
864	3200	1710	0.38	2012	0.56	2497	0.95	2895	1.36	<u>3244</u>	<u>1.78</u>	<u>3866</u>	<u>2.68</u>	4414	3.65	4909	4.67						
972	3600	1843	0.48	2128	0.68	2594	1.11	2982	1.56	3320	2.03	<u>3916</u>	<u>3.00</u>	4447	4.02	4930	5.11						
1080	4000	1980	0.61	2249	0.83	2697	1.29	3073	1.78	3405	2.29	<u>3980</u>	<u>3.34</u>	<u>4493</u>	<u>4.43</u>	4962	5.58						
1188	4400	2122	0.76	2375	1.00	2806	1.50	3171	2.03	3494	2.58	4057	3.70	<u>4550</u>	<u>4.87</u>	<u>5006</u>	<u>6.08</u>						
1296	4800	2269	0.95	2506	1.20	2919	1.74	3273	2.30	3588	2.88	4141	4.10	<u>4620</u>	<u>5.33</u>	<u>5060</u>	<u>6.62</u>						
1404	5200	2419	1.16	2640	1.43	3036	2.00	3380	2.60	3687	3.22	4227	4.51	4699	5.83	5125	7.18						
1512	5600	2571	1.40	2777	1.69	3157	2.30	3490	2.93	3789	3.59	4318	4.95	4783	6.36	5201	7.79						
1620	6000	2726	1.68	2918	1.98	3282	2.63	3605	3.30	3896	3.99	4413	5.42	4870	6.92								
1728	6400	2882	1.99	3061	2.31	3410	3.00	3722	3.70	4006	4.42	4512	5.93	4960	7.50								
1836	6800	3040	2.35	3208	2.68	3541	3.40	3843	4.14	4119	4.90	4614	6.48	5053	8.11								
1944	7200	3198	2.74	3357	3.09	3674	3.85	3966	4.63	4235	5.42	4719	7.06	5150	8.76								

MAXIMUM RPM: CLASS 22 = 5273

Selections above 4000 RPM not recommended. Consult factory.



MHW | Size 907

Fan Efficiency Grade = FEG67

CFM	OV	1" SP		2" SP		4" SP		6" SP		8" SP		12" SP		16" SP		20" SP		24" SP		28" SP		32" SP	
		RPM	BHP	RPM	BHP	RPM	BHP	RPM	BHP	RPM	BHP	RPM	BHP	RPM	BHP	RPM	BHP	RPM	BHP	RPM	BHP	RPM	BHP
324	1200	1206	0.10	<u>1607</u>	<u>0.18</u>	2208	0.37	2679	0.57	3080	0.80												
432	1600	1306	0.14	1683	0.25	<u>2257</u>	<u>0.49</u>	2717	0.73	3110	0.99	3776	1.56										
540	2000	1420	0.21	1777	0.34	2324	0.62	<u>2768</u>	<u>0.91</u>	<u>3153</u>	<u>1.22</u>	3808	1.85	4365	2.53	4859	3.26	5308	4.05				
648	2400	1543	0.29	1884	0.44	2408	0.77	<u>2835</u>	<u>1.11</u>	<u>3207</u>	<u>1.45</u>	<u>3850</u>	<u>2.19</u>	4400	2.94	4887	3.73	5330	4.56				
756	2800	1674	0.39	1999	0.57	2504	0.94	2916	1.33	3277	1.72	<u>3901</u>	<u>2.53</u>	<u>4443</u>	<u>3.39</u>	4924	4.26	5362	5.16				
864	3200	1812	0.53	2120	0.73	2609	1.14	3008	1.57	3357	2.01	<u>3965</u>	<u>2.92</u>	<u>4493</u>	<u>3.85</u>	4968	4.82	5401	5.81				
972	3600	1954	0.68	2247	0.92	2720	1.37	3107	1.85	3447	2.33	4039	3.34	<u>4555</u>	<u>4.35</u>	<u>5020</u>	<u>5.40</u>	<u>5446</u>	<u>6.48</u>				
1080	4000	2101	0.87	2380	1.14	2836	1.64	3214	2.16	3545	2.69	4122	3.78	4627	4.90	5081	6.03						
1188	4400	2252	1.10	2517	1.40	2956	1.95	3325	2.51	3648	3.08	4213	4.27	4705	5.47	5151	6.7						
1296	4800	2409	1.37	2658	1.69	3081	2.31	3440	2.91	3757	3.52	4309	4.79	4791	6.09	5227	7.41						
1404	5200	2570	1.69	2801	2.02	3210	2.70	3559	3.35	3870	4.01	4410	5.36	4884	6.75	5311	8.15						
1512	5600	2733	2.05	2948	2.40	<u>3342</u>	<u>3.14</u>	<u>3681</u>	<u>3.85</u>	<u>3985</u>	<u>4.55</u>	4516	5.98	4980	7.45	5401	8.95						
1620	6000	2899	2.48	3098	2.84	3478	3.64	3807	4.39	4104	5.15	4626	6.66	5082	8.22								
1728	6400	3066	2.96	3252	3.33	3617	4.18	3937	5.00	4226	5.80	4739	7.40	5187	9.03								
1836	6800	3235	3.50	3409	3.88	3758	4.79	4069	5.66	4351	6.51	4853	8.20	5296	9.91								
1944	7200	3405	4.10	3570	4.51	3901	5.44	4204	6.38	4479	7.29	4971	9.07	5407	10.86								

MAXIMUM RPM: CLASS 22 = 5457

Selections above 4000 RPM not recommended. Consult factory.

Performance certified is for installation type B & D: Free or ducted inlet, ducted outlet.
Power ratings (BHP) do not include transmission losses.
Performance ratings do not include the effects of appurtenances (accessories).

Underlined figures indicate maximum static efficiency.
Regular face type = Class 22
Bold face type = Class 32

Performance Data

909

Impeller Diameter: 15.625"
Tip Speed (FPM): 4.09 x RPM

Inlet Area: 0.43 ft²
Inlet Diameter: 9" O.D.

Outlet Area: 0.44 ft²
Outlet Dimension: 7½" x 8⅞"

MHO | Size 909



Fan Efficiency Grade = FEG63

CFM	OV	1" SP		2" SP		4" SP		6" SP		8" SP		12" SP		16" SP		20" SP		24" SP		28" SP		32" SP	
		RPM	BHP	RPM	BHP	RPM	BHP	RPM	BHP	RPM	BHP	RPM	BHP	RPM	BHP	RPM	BHP	RPM	BHP	RPM	BHP	RPM	BHP
528	1200	925	0.16	<u>1248</u>	<u>0.32</u>	<u>1723</u>	<u>0.67</u>	2091	1.05	2402	1.47												
704	1600	992	0.24	1294	0.43	<u>1755</u>	<u>0.86</u>	2119	1.32	2427	1.80	2946	2.85										
880	2000	1075	0.34	1355	0.56	<u>1795</u>	<u>1.06</u>	<u>2152</u>	<u>1.60</u>	2457	2.17	2972	3.36	3408	4.63	3793	5.99	4141	7.44				
1056	2400	1170	0.47	1429	0.74	1847	1.30	<u>2191</u>	<u>1.91</u>	<u>2491</u>	<u>2.55</u>	3002	3.90	3435	5.32	3817	6.80						
1232	2800	1273	0.65	1513	0.94	1910	1.57	2241	2.25	<u>2531</u>	<u>2.97</u>	<u>3035</u>	<u>4.47</u>	3465	6.05	3844	7.68						
1408	3200	1383	0.86	1607	1.20	1981	1.90	2300	2.64	2581	3.42	<u>3071</u>	<u>5.07</u>	<u>3497</u>	<u>6.80</u>	3874	8.60						
1584	3600	1499	1.13	1706	1.50	2060	2.28	2366	3.08	2639	3.93	<u>3115</u>	<u>5.72</u>	<u>3532</u>	<u>7.59</u>	<u>3906</u>	<u>9.53</u>						
1760	4000	1618	1.45	1810	1.87	2147	2.71	2439	3.59	2703	4.50	3167	6.42	<u>3574</u>	<u>8.44</u>	<u>3941</u>	<u>10.52</u>						
1936	4400	1742	1.83	1920	2.29	2240	3.21	2519	4.16	2773	5.14	3225	7.17	<u>3622</u>	<u>9.34</u>	<u>3982</u>	<u>11.57</u>						
2112	4800	1868	2.29	2033	2.78	2336	3.78	2605	4.80	2849	5.85	3288	8.01	3677	10.30	<u>4029</u>	<u>12.68</u>						
2288	5200	1997	2.81	2150	3.35	2437	4.43	2696	5.52	2931	6.64	3356	8.94	3736	11.33	4081	13.84						
2464	5600	2127	3.42	2270	4.00	2542	5.16	2790	6.31	3018	7.51	3429	9.95	3800	12.47	4138	15.08						
2640	6000	2258	4.11	2393	4.73	2650	5.97	2888	7.21	3108	8.46	3507	11.05	3868	13.70								
2816	6400	2391	4.90	2517	5.56	2762	6.88	2989	8.19	3202	9.51	3589	12.24	3940	15.04								
2992	6800	2525	5.79	2644	6.48	2875	7.88	3094	9.29	3300	10.68	3675	13.53	4016	16.47								
3168	7200	2660	6.78	2772	7.51	2992	9.00	3201	10.48	3399	11.94	3765	14.93	4096	18.00								

MAXIMUM RPM: CLASS 22 = 4156

Selections above 4000 RPM not recommended. Consult factory.

MHA | Size 909



Fan Efficiency Grade = FEG75

CFM	OV	1" SP		2" SP		4" SP		6" SP		8" SP		12" SP		16" SP		20" SP		24" SP		28" SP		32" SP	
		RPM	BHP	RPM	BHP	RPM	BHP	RPM	BHP	RPM	BHP	RPM	BHP	RPM	BHP	RPM	BHP	RPM	BHP	RPM	BHP	RPM	BHP
528	1200	<u>912</u>	<u>0.14</u>	1234	0.28																		
704	1600	981	0.19	<u>1275</u>	<u>0.36</u>	1738	0.75	2114	1.18														
880	2000	1060	0.26	1340	0.47	<u>1770</u>	<u>0.91</u>	2130	1.40	2443	1.92												
1056	2400	1148	0.36	1412	0.59	<u>1822</u>	<u>1.10</u>	<u>2161</u>	<u>1.64</u>	2463	2.22	2987	3.47										
1232	2800	1242	0.47	1492	0.74	1888	1.31	<u>2209</u>	<u>1.91</u>	<u>2497</u>	<u>2.55</u>	3003	3.90	3445	5.37								
1408	3200	1342	0.62	1578	0.91	1958	1.55	2271	2.22	<u>2544</u>	<u>2.91</u>	<u>3031</u>	<u>4.37</u>	3461	5.94	3849	7.61						
1584	3600	1446	0.79	1669	1.11	2035	1.81	2339	2.55	2604	3.30	<u>3071</u>	<u>4.89</u>	3487	6.56	3865	8.32						
1760	4000	1554	1.00	1765	1.36	2116	2.11	2411	2.91	2671	3.74	<u>3121</u>	<u>5.43</u>	<u>3523</u>	<u>7.22</u>	3891	9.09						
1936	4400	1666	1.25	1864	1.64	2201	2.45	2487	3.31	2741	4.21	3182	6.04	<u>3568</u>	<u>7.93</u>	<u>3925</u>	<u>9.91</u>						
2112	4800	1781	1.54	1967	1.97	2290	2.83	2568	3.75	2815	4.71	3248	6.68	<u>3623</u>	<u>8.69</u>	<u>3968</u>	<u>10.78</u>						
2288	5200	1899	1.89	2072	2.34	2383	3.27	2651	4.24	2892	5.25	3316	7.36	3686	9.51	<u>4019</u>	<u>11.70</u>						
2464	5600	2019	2.29	2180	2.76	2478	3.76	2738	4.78	2973	5.85	3387	8.07	3752	10.38	<u>4079</u>	<u>12.69</u>						
2640	6000	2140	2.74	2290	3.23	2576	4.30	2828	5.38	3056	6.50	3462	8.84	3820	11.28								
2816	6400	2263	3.26	2403	3.77	2676	4.90	2921	6.04	3143	7.21	3540	9.67	3890	12.22								
2992	6800	2387	3.84	2518	4.37	2779	5.56	3015	6.76	3232	7.99	3619	10.55	3964	13.22								
3168	7200	2511	4.48	2636	5.05	2883	6.28	3112	7.55	3323	8.84	3702	11.51	4040	14.29								

MAXIMUM RPM: CLASS 22 = 4134

Selections above 4000 RPM not recommended. Consult factory.

MHW | Size 909



Fan Efficiency Grade = FEG67

CFM	OV	1" SP		2" SP		4" SP		6" SP		8" SP		12" SP		16" SP		20" SP		24" SP		28" SP		32" SP	
		RPM	BHP	RPM	BHP	RPM	BHP	RPM	BHP	RPM	BHP	RPM	BHP	RPM	BHP	RPM	BHP	RPM	BHP	RPM	BHP	RPM	BHP
528	1200	946	0.16	<u>1260</u>	<u>0.30</u>	1731	0.60	2101	0.94	2415	1.31												
704	1600	1025	0.23	1320	0.41	<u>1769</u>	<u>0.79</u>	2130	1.20	2438	1.62	2960	2.53										
880	2000	1114	0.34	1394	0.55	1823	1.01	<u>2170</u>	<u>1.48</u>	<u>2472</u>	<u>1.98</u>	2985	3.02	3423	4.12	3810	5.31	4162	6.60				
1056	2400	1211	0.47	1478	0.72	1889	1.25	<u>2223</u>	<u>1.80</u>	<u>2515</u>	<u>2.37</u>	<u>3019</u>	<u>3.56</u>	3450	4.80	3832	6.08	4179	7.43				
1232	2800	1314	0.64	1568	0.93	1964	1.54	2287	2.16	2569	2.81	<u>3059</u>	<u>4.13</u>	<u>3484</u>	<u>5.53</u>	3861	6.95						
1408	3200	1422	0.86	1663	1.19	2046	1.86	2359	2.56	2633	3.29	3109	4.76	<u>3523</u>	<u>6.27</u>	<u>3896</u>	<u>7.86</u>						
1584	3600	1534	1.12	1763	1.50	2134	2.24	2437	3.01	2704	3.81	3168	5.44	<u>3572</u>	<u>7.10</u>	<u>3936</u>	<u>8.80</u>						
1760	4000	1649	1.42	1867	1.86	2225	2.68	2521	3.52	2780	4.39	3233	6.17	3628	7.99	<u>3984</u>	<u>9.82</u>						
1936	4400	1768	1.79	1975	2.28	2319	3.19	2609	4.10	2862	5.03	3304	6.95	3690	8.92	4039	10.92						
2112	4800	1891	2.23	2086	2.76	2417	3.76	2699	4.74	2947	5.74	3380	7.81	3758	9.92	4100	12.08						
2288	5200	2018	2.76	2199	3.31	2518	4.40	2792	5.47	3036	6.54	3459	8.74	3831	11.00	4165	13.29						
2464	5600	2146	3.36	2314	3.93	2623	5.13	2888	6.28	3126	7.42	3543	9.76	3906	12.15								
2640	6000	2276	4.05	2432	4.63	2729	5.94	2987	7.17	3220	8.40	3629	10.86	3986	13.4								
2816	6400	2408	4.83	2553	5.44	2839	6.84	3089	8.16	3316	9.47	3717	12.06	4069	14.73								
2992	6800	2540	5.72	2677	6.35	2950	7.82	3193	9.24	3414	10.63	3808	13.38	4154	16.16								
3168	7200	2674	6.71	2802	7.36	3062	8.89	3299	10.42	3514	11.89	3900	14.80										

MAXIMUM RPM: CLASS 22 = 4192

Selections above 4000 RPM not recommended. Consult factory.

Performance certified is for installation type B & D: Free or ducted inlet, ducted outlet.
Power ratings (BHP) do not include transmission losses.
Performance ratings do not include the effects of appurtenances (accessories).

Underlined figures indicate maximum static efficiency.
Regular face type = Class 22
Bold face type = Class 32

911

Impeller Diameter: 19.125"
Tip Speed (FPM): 5.01 x RPM

Inlet Area: 0.64 ft²
Inlet Diameter: 11" O.D.

Outlet Area: 0.66 ft²
Outlet Dimension: 9³/₁₆" x 10⁵/₁₆"

MHO | Size 911



Fan Efficiency Grade = FEG60

CFM	OV	1" SP		2" SP		4" SP		6" SP		8" SP		12" SP		16" SP		20" SP		24" SP		28" SP		32" SP	
		RPM	BHP	RPM	BHP	RPM	BHP	RPM	BHP	RPM	BHP	RPM	BHP	RPM	BHP	RPM	BHP	RPM	BHP	RPM	BHP	RPM	BHP
792	1200	756	0.24	1020	0.48	1408	1.00	1708	1.58	1962	2.21												
1056	1600	811	0.36	1057	0.64	<u>1434</u>	<u>1.28</u>	1731	1.97	1983	2.70	2407	4.27	2766	6.02								
1320	2000	879	0.51	1107	0.85	<u>1466</u>	<u>1.59</u>	<u>1758</u>	<u>2.40</u>	2008	3.25	2428	5.03	2784	6.94	3099	8.98	3383	11.16				
1584	2400	957	0.71	1168	1.10	1510	1.95	1790	2.87	2035	3.82	2453	5.86	2806	7.98	3118	10.19	3401	12.53	3661	14.97		
1848	2800	1041	0.97	1237	1.42	1561	2.36	1831	3.38	<u>2068</u>	<u>4.45</u>	<u>2479</u>	<u>6.70</u>	2831	9.08	3141	11.53	3422	14.05	3680	16.66		
2112	3200	1131	1.30	1313	1.80	1619	2.85	1880	3.96	2109	5.14	<u>2509</u>	<u>7.61</u>	<u>2857</u>	<u>10.20</u>	3165	12.89	3444	15.65	3701	18.48		
2376	3600	1225	1.69	1394	2.26	1684	3.42	1934	4.63	2157	5.90	<u>2546</u>	<u>8.59</u>	<u>2886</u>	<u>11.39</u>	<u>3191</u>	<u>14.29</u>	3469	17.31	3725	20.39		
2640	4000	1323	2.18	1480	2.80	1755	4.07	1994	5.39	2209	6.75	2588	9.63	<u>2920</u>	<u>12.66</u>	<u>3220</u>	<u>15.78</u>	3495	18.99	3749	22.29		
2904	4400	1424	2.75	1570	3.44	1831	4.82	2059	6.25	2266	7.71	2636	10.77	<u>2960</u>	<u>14.01</u>	<u>3253</u>	<u>17.35</u>	3524	20.78	3776	24.29		
3168	4800	1528	3.44	1663	4.19	1910	5.68	2129	7.20	2329	8.78	2687	12.02	<u>3005</u>	<u>15.45</u>	<u>3292</u>	<u>19.01</u>	3557	22.66	3805	26.38		
3432	5200	1633	4.23	1758	5.03	1992	6.65	2204	8.28	2396	9.97	2743	13.42	3053	17.00	3335	20.77	3595	24.63	3838	28.57		
3696	5600	1739	5.14	1856	6.00	2078	7.75	2281	9.48	2467	11.27	2803	14.94	3105	18.70	3382	22.64	3637	26.70				
3960	6000	1847	6.18	1957	7.12	2167	8.98	2361	10.82	2541	12.71	2866	16.58	3161	20.56	3432	24.66	3682	28.89				
4224	6400	1956	7.37	2059	8.36	2258	10.34	2444	12.31	2618	14.29	2933	18.36	3220	22.57	3485	26.85	3731	31.24				
4488	6800	2065	8.70	2162	9.74	2351	11.85	2529	13.94	2697	16.03	3004	20.31	3282	24.71	3541	29.20	3782	33.75				
4752	7200	2175	10.19	2267	11.29	2446	13.51	2617	15.73	2779	17.94	3077	22.41	3348	27.02	3600	31.71	3837	36.48				

MAXIMUM RPM: CLASS 22 = 3283 CLASS 32 = 3844

MHA | Size 911



Fan Efficiency Grade = FEG71

CFM	OV	1" SP		2" SP		4" SP		6" SP		8" SP		12" SP		16" SP		20" SP		24" SP		28" SP		32" SP	
		RPM	BHP	RPM	BHP	RPM	BHP	RPM	BHP	RPM	BHP	RPM	BHP	RPM	BHP	RPM	BHP	RPM	BHP	RPM	BHP	RPM	BHP
792	1200	<u>746</u>	<u>0.21</u>	1009	0.42																		
1056	1600	802	0.29	<u>1042</u>	<u>0.55</u>	1420	1.12	1727	1.77														
1320	2000	867	0.40	1095	0.71	<u>1447</u>	<u>1.37</u>	1740	2.09	1996	2.88												
1584	2400	938	0.53	1154	0.89	<u>1489</u>	<u>1.65</u>	<u>1766</u>	<u>2.46</u>	2012	3.32	2441	5.21										
1848	2800	1015	0.71	1220	1.11	1543	1.97	<u>1805</u>	<u>2.87</u>	<u>2040</u>	<u>3.82</u>	2454	5.85	2815	8.05								
2112	3200	1097	0.92	1290	1.36	1601	2.32	1856	3.33	<u>2079</u>	<u>4.36</u>	<u>2477</u>	<u>6.56</u>	2828	8.91	3145	11.42	3435	14.01				
2376	3600	1183	1.19	1365	1.67	1663	2.72	1911	3.82	2128	4.96	<u>2509</u>	<u>7.32</u>	2849	9.83	3158	12.48	3443	15.28	3707	18.13		
2640	4000	1271	1.50	1443	2.04	1730	3.17	1970	4.37	2183	5.61	<u>2550</u>	<u>8.15</u>	<u>2879</u>	<u>10.84</u>	3179	13.63	3457	16.56	3716	19.6	3961	22.75
2904	4400	1362	1.88	1524	2.46	1799	3.67	2033	4.96	2240	6.31	2600	9.06	<u>2916</u>	<u>11.90</u>	<u>3207</u>	<u>14.86</u>	3478	17.93	3732	21.11	3972	24.43
3168	4800	1456	2.32	1608	2.95	1872	4.25	2099	5.63	2300	7.05	2654	10.02	<u>2961</u>	<u>13.04</u>	<u>3242</u>	<u>16.17</u>	3506	19.41	3754	22.73	3988	26.15
3432	5200	1553	2.84	1694	3.51	1948	4.91	2167	6.36	2364	7.88	2710	11.04	3012	14.27	<u>3284</u>	<u>17.55</u>	3540	20.96	3782	24.46		
3696	5600	1651	3.44	1782	4.14	2026	5.64	2239	7.18	2430	8.78	2768	12.11	3066	15.56	<u>3333</u>	<u>19.04</u>	3580	22.58	3815	26.24		
3960	6000	1750	4.12	1873	4.86	2106	6.45	2312	8.07	2498	9.76	2830	13.28	3122	16.92	3386	20.62	3627	24.32	3855	28.14		
4224	6400	1851	4.90	1965	5.66	2188	7.35	2388	9.07	2569	10.83	2893	14.51	3180	18.34	3440	22.25	3678	26.16	3901	30.14		
4488	6800	1952	5.77	2059	6.57	2272	8.35	2465	10.15	2642	12.00	2958	15.84	3240	19.84	3496	23.96	3732	28.1	3951	32.26		
4752	7200	2054	6.74	2155	7.58	2358	9.44	2544	11.34	2716	13.26	3026	17.28	3302	21.44	3553	25.72	3786	30.08				

MAXIMUM RPM: CLASS 22 = 3373 CLASS 32 = 4000

MHW | Size 911



Fan Efficiency Grade = FEG63

CFM	OV	1" SP		2" SP		4" SP		6" SP		8" SP		12" SP		16" SP		20" SP		24" SP		28" SP		32" SP	
		RPM	BHP	RPM	BHP	RPM	BHP	RPM	BHP	RPM	BHP	RPM	BHP	RPM	BHP	RPM	BHP	RPM	BHP	RPM	BHP	RPM	BHP
792	1200	773	0.24	<u>1030</u>	<u>0.45</u>	1415	0.91	1716	1.40	1973	1.96												
1056	1600	838	0.35	1078	0.62	<u>1446</u>	<u>1.19</u>	1740	1.79	1992	2.43	2419	3.80										
1320	2000	911	0.51	1139	0.83	1490	1.51	<u>1773</u>	<u>2.22</u>	<u>2020</u>	<u>2.97</u>	2439	4.52	2796	6.18	3113	7.97	3400	9.89				
1584	2400	990	0.71	1208	1.08	1544	1.88	1817	2.71	<u>2055</u>	<u>3.55</u>	<u>2466</u>	<u>5.34</u>	2819	7.19	3131	9.12	3414	11.13	3676	13.27	3920	15.52
1848	2800	1074	0.97	1282	1.40	1605	2.30	1869	3.25	2100	4.22	<u>2500</u>	<u>6.20</u>	<u>2846</u>	<u>8.28</u>	3155	10.42	3435	12.60	3693	14.86	3935	17.21
2112	3200	1163	1.29	1360	1.79	1673	2.80	1928	3.85	2151	4.92	2541	7.14	<u>2879</u>	<u>9.41</u>	<u>3183</u>	<u>11.79</u>	3460	14.20	3716	16.65	3955	19.16
2376	3600	1254	1.67	1441	2.25	1744	3.36	1992	4.52	2210	5.71	2588	8.16	<u>2919</u>	<u>10.65</u>	<u>3216</u>	<u>13.20</u>	3489	15.85	3742	18.53	3979	21.25
2640	4000	1348	2.14	1527	2.79	1818	4.02	2061	5.29	2272	6.58	2642	9.25	2965	11.99	<u>3256</u>	<u>14.74</u>	3523	17.55	3772	20.45	4006	23.42
2904	4400	1446	2.70	1615	3.42	1896	4.79	2132	6.15	2339	7.55	2700	10.43	3015	13.38	3301	16.39	3563	19.41	3807	22.47		
3168	4800	1547	3.36	1706	4.15	1976	5.65</																

MHW | Size 913



Fan Efficiency Grade = FEG67

CFM	OV	1" SP		2" SP		4" SP		6" SP		8" SP		12" SP		16" SP		20" SP		24" SP		28" SP		32" SP	
		RPM	BHP	RPM	BHP	RPM	BHP	RPM	BHP	RPM	BHP	RPM	BHP	RPM	BHP	RPM	BHP	RPM	BHP	RPM	BHP	RPM	BHP
1116	1200	646	0.31	870	0.60	1194	1.23	1447	1.93														
1488	1600	692	0.46	904	0.81	1222	1.59	1470	2.42	1681	3.30	2038	5.25										
1860	2000	744	0.65	946	1.08	1253	2.00	1498	2.98	1707	4.00	2058	6.15	2357	8.49	2622	11.02						
2232	2400	800	0.89	995	1.40	1290	2.46	1529	3.58	1735	4.75	2084	7.20	2379	9.76	2640	12.46	2877	15.32	3096	18.34		
2604	2800	859	1.20	1048	1.79	1334	3.01	1565	4.26	1767	5.57	2112	8.31	2405	11.16	2664	14.11	2898	17.16	3114	20.35	3316	23.67
2976	3200	921	1.59	1103	2.26	1381	3.63	1606	5.03	1803	6.47	2142	9.48	2433	12.64	2690	15.88	2922	19.18	3136	22.58	3336	26.10
3348	3600	987	2.07	1161	2.82	1432	4.34	1652	5.90	1843	7.48	2175	10.75	2462	14.17	2717	17.72	2949	21.34	3161	24.99	3359	28.74
3720	4000	1058	2.64	1220	3.47	1486	5.15	1700	6.86	1887	8.59	2211	12.13	2494	15.82	2746	19.62	2976	23.54	3188	27.53		
4092	4400	1132	3.32	1281	4.23	1541	6.08	1751	7.93	1934	9.82	2252	13.65	2529	17.60	2777	21.65	3005	25.83	3215	30.10		
4464	4800	1208	4.13	1345	5.11	1597	7.11	1804	9.12	1984	11.17	2296	15.31	2567	19.51	2812	23.84	3036	28.26	3244	32.78		
4836	5200	1285	5.06	1414	6.13	1656	8.29	1859	10.46	2036	12.65	2342	17.09	2608	21.57	2848	26.14	3070	30.85	3275	35.61		
5208	5600	1364	6.15	1484	7.26	1715	9.60	1914	11.92	2089	14.26	2390	19.02	2652	23.79	2888	28.63	3106	33.59	3309	38.63		
5580	6000	1445	7.41	1557	8.57	1775	11.06	1971	13.54	2143	16.04	2440	21.08	2698	26.18	2931	31.31	3145	36.51	3344	41.77		
5952	6400	1526	8.82	1632	10.04	1837	12.68	2030	15.33	2199	17.99	2492	23.32	2746	28.73	2975	34.14	3186	39.61				
6324	6800	1608	10.42	1708	11.69	1902	14.47	2089	17.29	2255	20.08	2545	25.72	2795	31.41	3021	37.14	3229	42.89				
6696	7200	1691	12.21	1786	13.54	1969	16.44	2148	19.41	2313	22.38	2598	28.30	2846	34.29	3069	40.35	3274	46.37				

MAXIMUM RPM: CLASS 22 = 2922 CLASS 32 = 3373



Performance Data

915

Impeller Diameter: 26.125"
Tip Speed (FPM): 6.84 x RPM

Inlet Area: 1.17 ft²
Inlet Diameter: 15" O.D.

Outlet Area: 1.24 ft²
Outlet Dimension: 12⁹/₁₆" x 14¹/₁₆"

MHO | Size 915



Fan Efficiency Grade = FEG7

CFM	OV	1" SP		2" SP		4" SP		6" SP		8" SP		12" SP		16" SP		20" SP		24" SP		28" SP		32" SP	
		RPM	BHP	RPM	BHP	RPM	BHP	RPM	BHP	RPM	BHP	RPM	BHP	RPM	BHP	RPM	BHP	RPM	BHP	RPM	BHP	RPM	BHP
1488	1200	547	0.42	<u>738</u>	<u>0.81</u>	1023	1.67	1246	2.63														
1984	1600	584	0.61	766	1.10	<u>1038</u>	<u>2.15</u>	1256	3.29	1442	4.49	1757	7.14										
2480	2000	629	0.87	799	1.45	<u>1062</u>	<u>2.70</u>	<u>1272</u>	<u>4.02</u>	1454	5.42	1765	8.37	2029	11.57	2262	15.01						
2976	2400	679	1.19	840	1.89	1093	3.34	1296	4.85	1472	6.41	1777	9.75	2038	13.27	2269	16.97	2479	20.90	<u>2671</u>	<u>24.99</u>		
3472	2800	733	1.59	885	2.40	1127	4.06	1326	5.78	1498	7.54	<u>1793</u>	<u>11.21</u>	2050	15.12	2279	19.16	2486	23.34	2678	27.73	2856	32.26
3968	3200	792	2.10	934	3.01	1166	4.88	1359	6.81	1528	8.79	1816	12.82	<u>2066</u>	<u>17.06</u>	2291	21.48	2497	26.04	2686	30.69	2863	35.51
4464	3600	853	2.72	987	3.74	1209	5.82	1395	7.95	1559	10.11	1844	14.59	<u>2088</u>	<u>19.16</u>	2308	23.93	2510	28.86	2697	33.87	2873	39.04
4960	4000	915	3.46	1042	4.58	1255	6.89	1435	9.22	1594	11.58	1874	16.47	2114	21.43	2329	26.52	2527	31.79	<u>2712</u>	<u>37.23</u>	2885	42.73
5456	4400	980	4.36	1100	5.58	1304	8.09	1478	10.64	1633	13.21	1906	18.49	2144	23.90	2355	29.34	2548	34.89	2729	40.63	2900	46.55
5952	4800	1046	5.41	1160	6.73	1355	9.44	1524	12.22	1674	14.99	1940	20.65	2174	26.46	2384	32.37	<u>2574</u>	<u>38.27</u>	2751	44.30	<u>2918</u>	<u>50.49</u>
6448	5200	1114	6.64	1222	8.06	1408	10.96	1571	13.93	1718	16.94	1977	22.99	2206	29.17	2413	35.47	2603	41.88	<u>2777</u>	<u>48.25</u>	<u>2941</u>	<u>54.74</u>
6944	5600	1183	8.05	1284	9.56	1464	12.68	1621	15.84	1764	19.07	2017	25.54	2241	32.11	2445	38.81	2632	45.58	2805	52.39	2967	59.26
7440	6000	1254	9.69	1348	11.26	1521	14.58	1673	17.96	1812	21.39	2059	28.28	2278	35.23	2478	42.31	2663	49.50	2835	56.76	2995	64.00
7936	6400	1325	11.53	1413	13.18	1580	16.70	1727	20.29	1861	23.89	2103	31.23	2317	38.55	2513	46.01	2695	53.58	2865	61.23	3024	68.91
8432	6800	1397	13.61	1480	15.34	1640	19.05	1782	22.82	1913	26.67	2149	34.41	2359	42.17	2551	49.99	2729	57.89	2896	65.89	3054	74.00
8928	7200	1469	15.92	1547	17.72	1701	21.65	1839	25.62	1965	29.61	2196	37.80	2402	45.98	2590	54.17	2765	62.45	2930	70.87	3085	79.29

CFM	OV	33" SP		34" SP		35" SP		36" SP		37" SP		38" SP		40" SP		42" SP		44" SP		46" SP	
		RPM	BHP	RPM	BHP	RPM	BHP	RPM	BHP	RPM	BHP	RPM	BHP	RPM	BHP	RPM	BHP	RPM	BHP	RPM	BHP
3720	3000	2902	35.05	2944	36.25	2985	37.45	3026	38.68	3066	39.97	3106	41.16	3184	43.68	3259	46.20	3334	48.83		
4464	3600	2915	40.34	2956	41.63	2997	42.95	3037	44.26	3077	45.60	3116	46.93	3194	49.68	3269	52.41	3342	55.17	3414	57.98
5208	4200	2933	46.04	2974	47.49	3014	48.92	3054	50.39	3093	51.84	3132	53.31	3208	56.26	3282	59.22	3355	62.24	3426	65.26
5952	4800	2958	52.04	2998	53.62	3038	55.25	3077	56.85	3115	58.43	3153	60.03	3228	63.27	3301	66.51	3372	69.74	3442	73.02
6696	5400	2993	58.65	3031	60.30	3070	62.03	3107	63.69	3145	65.44	3182	67.16	3254	70.57	3326	74.12	3396	77.66	3464	81.18
7440	6000	3034	65.84	3071	67.60	3109	69.46	3146	71.28	3182	73.08	3218	74.90	3289	78.59	3359	82.34	3427	86.07	3493	89.78
8184	6600	3077	73.40	3115	75.41	3152	77.38	3188	79.32	3225	81.37	3260	83.31	3330	87.28	3398	91.24	3465	95.24		
8928	7200	3123	81.45	3160	83.57	3197	85.73	3233	87.85	3268	89.93	3304	92.13	3373	96.39	3440	100.63				

MAXIMUM RPM: CLASS 22 = 2485 CLASS 32 = 2923 CLASS 45 = 3500

MHA | Size 915



Fan Efficiency Grade = FEG75

CFM	OV	1" SP		2" SP		4" SP		6" SP		8" SP		12" SP		16" SP		20" SP		24" SP		28" SP		32" SP	
		RPM	BHP	RPM	BHP	RPM	BHP	RPM	BHP	RPM	BHP	RPM	BHP	RPM	BHP	RPM	BHP	RPM	BHP	RPM	BHP	RPM	BHP
1488	1200	539	0.36	728	0.71																		
1984	1600	578	0.51	754	0.94	1025	1.90	1247	2.99														
2480	2000	624	0.70	790	1.22	<u>1045</u>	<u>2.33</u>	1256	3.55	1441	4.87												
2976	2400	674	0.94	832	1.56	1076	2.84	1276	4.19	1452	5.63	1762	8.80										
3472	2800	726	1.22	879	1.95	1113	3.41	1305	4.93	1473	6.50	1771	9.92	2032	13.61								
3968	3200	782	1.57	928	2.40	1154	4.05	1339	5.74	1503	7.50	<u>1788</u>	<u>11.15</u>	2040	15.08	2269	19.27	2479	23.67				
4464	3600	841	2.01	979	2.91	1199	4.79	1379	6.66	1536	8.55	1813	12.53	2056	16.70	2278	21.13	2484	25.80	2675	30.63	2854	35.62
4960	4000	900	2.53	1032	3.51	1246	5.59	1421	7.65	1574	9.72	1843	14.02	2079	18.48	2293	23.12	2493	28.02	2681	33.13	2867	38.38
5456	4400	961	3.14	1087	4.20	1295	6.49	1465	8.73	1615	11.00	1877	15.63	2107	20.40	2315	25.31	2509	30.43	2691	35.74	2864	41.27
5952	4800	1023	3.86	1145	5.01	1344	7.44	1512	9.94	1658	12.38	1914	17.35	2139	22.46	2343	27.70	2531	33.05	2707	38.55	2876	44.31
6448	5200	1086	4.70	1203	5.92	1396	8.51	1560	11.23	1704	13.90	1954	19.21	2173	24.62	2373	30.19	<u>2557</u>	<u>35.84</u>	<u>2730</u>	<u>41.65</u>	<u>2893</u>	<u>47.56</u>
6944	5600	1150	5.65	1263	6.98	1449	9.71	1609	12.61	1751	15.51	1996	21.20	2211	26.96	2406	32.82	2587	38.82	2756	44.89	2915	51.05
7440	6000	1215	6.75	1323	8.15	1504	11.05	1659	14.09	1799	17.24	2039	23.29	2251	29.43	2442	35.62	2619	41.91	2785	48.31	2942	54.81
7936	6400	1281	7.99	1384	9.46	1560	12.53	1711	15.72	1847	19.04	2085	25.58	2292	32.03	2480	38.56	2653	45.14	2816	51.85	2971	58.70
8432	6800	1347	9.37	1446	10.93	1617	14.16	1763	17.48	1897	20.99	2131	27.96	2335	34.80	2520	41.68	2691	48.63	2850	55.60	3002	62.75
8928	7200	1414	10.93	1509	12.57	1675	15.95	1818	19.46	1947	23.05	2179	30.52	2379	37.71	2561	44.93	2729	52.20	2886	59.52	3035	66.96

CFM	OV	33" SP		34" SP		35" SP		36" SP		37" SP		38" SP		40" SP		42" SP		44" SP		46" SP			
		RPM	BHP	RPM	BHP	RPM	BHP	RPM	BHP	RPM	BHP	RPM	BHP	RPM	BHP	RPM	BHP	RPM	BHP	RPM	BHP		
5208	4200	2902	41.17	2944	42.57	2985	43.96	3025	45.33	3065	46.74	3105	48.17	3182	51.00								
5952	4800	2917	45.79	2957	47.24	2997	48.73	3036	50.20	3075	51.70	3114	53.23	3190	56.29								
6696	5400	2943	50.83	2981	52.34	3020	53.94	3057	55.46	3095	57.06	3132	58.64	3206	61.89								
7440	6000	2980	56.45	3017	58.06	3054	59.71	3090	61.33	3127	63.04	3162	64.66	3233	68.04								
8184	6600	3023	62.44	3060	64.23	3096	65.98	3131	67.71	3166	69.46	3201	71.24										
8928	7200	3071	68.82	3106	70.65	3141	72.51	3176	74.40	3211	76.33												

MAXIMUM RPM: CLASS 22 = 2521 CLASS 32 = 2910 CLASS 45 = 3240

Performance certified is for installation type B & D: Free or ducted inlet, ducted outlet.
Power ratings (BHP) do not include transmission losses.
Performance ratings do not include the effects of appurtenances (accessories).

Underlined figures indicate maximum static efficiency.
Regular face to left of Class 32 = Class 22
Regular face in light shaded area = Class 32
Italic face to right of Class 32 = Class 45

MHW | Size 915



Fan Efficiency Grade = FEG67

CFM	OV	1" SP		2" SP		4" SP		6" SP		8" SP		12" SP		16" SP		20" SP		24" SP		28" SP		32" SP	
		RPM	BHP	RPM	BHP	RPM	BHP	RPM	BHP	RPM	BHP	RPM	BHP	RPM	BHP	RPM	BHP	RPM	BHP	RPM	BHP	RPM	BHP
1488	1200	559	0.41	753	0.80	1034	1.64	1253	2.58														
1984	1600	599	0.61	783	1.09	1058	2.12	1273	3.23	1456	4.41	1765	7.00										
2480	2000	645	0.86	820	1.44	1085	2.66	1298	3.98	1478	5.34	1783	8.21	2041	11.32	2270	14.68						
2976	2400	693	1.19	862	1.87	1117	3.28	1324	4.77	1503	6.34	1805	9.60	2060	13.00	2287	16.63	2492	20.44	2681	24.45		
3472	2800	744	1.61	908	2.40	1155	4.01	1355	5.67	1530	7.42	1829	11.08	2083	14.89	2307	18.81	2510	22.89	2697	27.13	2871	31.54
3968	3200	797	2.12	956	3.02	1196	4.84	1391	6.70	1561	8.62	1855	12.64	2107	16.86	2329	21.16	2531	25.59	2716	30.11	2889	34.80
4464	3600	855	2.76	1005	3.75	1241	5.80	1430	7.86	1596	9.97	1883	14.32	2132	18.90	2353	23.62	2554	28.45	2738	33.34	2909	38.31
4960	4000	916	3.51	1057	4.63	1287	6.87	1472	9.15	1634	11.45	1915	16.17	2160	21.10	2378	26.16	2578	31.42	2761	36.71		
5456	4400	980	4.43	1109	5.64	1334	8.09	1517	10.59	1675	13.10	1950	18.19	2190	23.46	2405	28.86	2602	34.43	2785	40.17		
5952	4800	1046	5.50	1165	6.81	1383	9.48	1563	12.18	1718	14.89	1988	20.40	2223	26.01	2435	31.78	2629	37.67	2809	43.69		
6448	5200	1113	6.75	1224	8.16	1434	11.05	1610	13.95	1763	16.86	2028	22.78	2259	28.77	2467	34.88	2658	41.10	2836	47.47		
6944	5600	1182	8.22	1286	9.70	1485	12.79	1658	15.90	1809	19.02	2070	25.36	2297	31.74	2501	38.17	2690	44.79	2865	51.47		
7440	6000	1251	9.87	1349	11.44	1537	14.74	1707	18.05	1856	21.38	2113	28.10	2337	34.92	2538	41.74	2723	48.65	2896	55.69		
7936	6400	1322	11.77	1413	13.38	1591	16.90	1758	20.44	1904	23.97	2158	31.08	2378	38.30	2577	45.55	2759	52.80				
8432	6800	1393	13.90	1479	15.58	1647	19.29	1809	23.04	1953	26.78	2204	34.30	2421	41.91	2617	49.57	2797	57.22				
8928	7200	1465	16.30	1546	18.03	1706	21.95	1861	25.91	2003	29.84	2250	37.74	2465	45.73	2658	53.80	2836	61.87				

MAXIMUM RPM: CLASS 22 = 2531 CLASS 32 = 2921



Performance Data

917

Impeller Diameter: 29.625"
Tip Speed (FPM): 7.76 x RPM

Inlet Area: 1.58 ft²
Inlet Diameter: 17" O.D.

Outlet Area: 1.59 ft²
Outlet Dimension: 14¼" x 16"

MHO | Size 917



Fan Efficiency Grade = FEG67

CFM	OV	1" SP		2" SP		4" SP		6" SP		8" SP		12" SP		16" SP		20" SP		24" SP		28" SP		32" SP	
		RPM	BHP	RPM	BHP	RPM	BHP	RPM	BHP	RPM	BHP	RPM	BHP	RPM	BHP	RPM	BHP	RPM	BHP	RPM	BHP	RPM	BHP
1908	1200	482	0.54	650	<u>1.03</u>	902	2.14	1099	3.38														
2544	1600	514	0.78	675	1.41	915	<u>2.76</u>	1107	4.21	1272	5.77	1549	9.16										
3180	2000	554	1.11	704	1.86	936	<u>3.46</u>	1121	<u>5.15</u>	1282	6.95	1557	10.76	1789	14.84	1995	19.28						
3816	2400	598	1.52	740	2.42	963	4.28	1143	6.22	1298	8.23	1567	12.52	1797	17.02	2001	21.78	2186	26.82	2355	<u>32.07</u>		
4452	2800	646	2.04	780	3.08	993	5.20	1169	7.41	1320	<u>9.66</u>	1581	<u>14.39</u>	1808	19.40	2009	24.56	2192	29.95	2361	35.56	2518	41.39
5088	3200	697	2.68	823	3.85	1027	6.24	1197	8.71	1346	11.24	1601	<u>16.44</u>	1822	<u>21.90</u>	2020	27.55	2201	33.37	2369	39.41	2525	45.59
5724	3600	750	3.47	869	4.78	1065	7.45	1229	10.17	1374	12.96	1625	18.68	1840	<u>24.53</u>	2035	30.70	2213	37.00	2378	43.44	2533	50.06
6360	4000	805	4.42	918	5.87	1106	8.83	1264	11.80	1405	14.84	1652	21.12	1864	27.49	2053	33.99	2228	40.77	2391	47.73	2544	54.82
6996	4400	862	5.56	969	7.14	1148	10.34	1302	13.61	1439	16.92	1680	23.70	1889	30.59	2076	37.61	2247	44.77	2406	52.11	2557	59.71
7632	4800	920	6.90	1021	8.59	1193	12.07	1342	15.62	1475	19.19	1710	26.47	1916	33.89	2101	41.46	2269	49.06	2425	56.78	2573	64.77
8268	5200	980	8.47	1075	10.28	1240	14.02	1384	17.83	1514	21.71	1742	29.44	1945	37.42	2127	45.47	2294	53.64	2448	61.85	2593	70.21
8904	5600	1041	10.28	1130	12.20	1289	16.21	1428	20.28	1554	24.41	1777	32.69	1975	41.13	2155	49.74	2320	58.42	2473	67.19	2615	75.92
9540	6000	1103	12.36	1186	14.37	1339	18.63	1473	22.95	1596	27.37	1814	36.20	2007	45.09	2184	54.21	2347	63.41	2499	72.75	2640	82.02
10176	6400	1165	14.69	1244	16.85	1391	21.35	1521	25.96	1639	30.56	1853	40.00	2042	49.40	2215	58.97	2375	68.63	2525	78.44	2666	88.36
10812	6800	1229	17.37	1302	19.58	1444	24.37	1569	29.18	1684	34.07	1893	44.04	2078	53.95	2248	64.03	2405	74.16	2553	84.48	2692	94.85
11448	7200	1292	20.31	1362	22.67	1497	27.64	1619	32.74	1731	37.91	1934	48.35	2116	58.84	2282	69.35	2437	80.04	2582	90.77	2719	101.59

CFM	OV	33" SP		34" SP		35" SP		36" SP		37" SP		38" SP		40" SP		42" SP		44" SP		46" SP		
		RPM	BHP	RPM	BHP	RPM	BHP	RPM	BHP	RPM	BHP	RPM	BHP	RPM	BHP	RPM	BHP	RPM	BHP	RPM	BHP	
4770	3000	2559	44.98	2596	46.52	2632	48.05	2668	49.62	2704	51.24	2739	52.83	2807	56.02	2874	59.31	2940	62.68			
5724	3600	2570	51.73	2607	53.43	2643	55.12	2678	56.79	2713	58.49	2748	60.24	2816	63.72	2882	67.21	2947	70.79	3010	74.37	
6678	4200	2586	59.05	2622	60.89	2658	62.78	2693	64.64	2728	66.55	2762	68.41	2829	72.19	2894	75.97	2958	79.81	3021	83.73	
7632	4800	2608	66.74	2643	68.75	2678	70.81	2713	72.92	2747	74.98	2780	76.99	2846	81.14	2911	85.35	2974	89.53	3035	93.67	
8586	5400	2638	75.15	2672	77.30	2706	79.49	2739	81.65	2772	83.84	2805	86.08	2869	90.51	2932	95.01	2994	99.58	3055	104.20	
9540	6000	2674	84.35	2708	86.73	2741	89.07	2773	91.35	2805	93.67	2837	96.04	2900	100.81	2961	105.54	3021	110.33	3080	115.17	
10494	6600	2712	94.05	2746	96.68	2778	99.14	2811	101.76	2842	104.21	2874	106.82	2935	111.83	2995	116.91	3054	122.03			
11448	7200	2753	104.41	2785	107.06	2818	109.88	2849	112.51	2881	115.31	2912	118.04	2973	123.52	3033	129.07	3091	134.54			

MAXIMUM RPM: CLASS 22 = 2191 CLASS 32 = 2577 CLASS 45 = 3092

MHA | Size 917



Fan Efficiency Grade = FEG80

CFM	OV	1" SP		2" SP		4" SP		6" SP		8" SP		12" SP		16" SP		20" SP		24" SP		28" SP		32" SP	
		RPM	BHP	RPM	BHP	RPM	BHP	RPM	BHP	RPM	BHP	RPM	BHP	RPM	BHP	RPM	BHP	RPM	BHP	RPM	BHP	RPM	BHP
1908	1200	475	0.46	642	0.91																		
2544	1600	509	0.65	664	<u>1.21</u>	904	2.44	1100	3.84														
3180	2000	550	0.90	696	1.57	921	<u>2.99</u>	1107	4.55	1271	6.25												
3816	2400	593	1.19	733	1.99	948	3.64	1125	5.38	1280	7.22	1554	11.29										
4452	2800	640	1.56	774	2.50	981	4.37	1150	6.32	1299	8.35	1561	12.71	1792	17.47								
5088	3200	689	2.02	817	3.07	1017	5.20	1180	7.35	1325	9.61	1576	<u>14.29</u>	1799	19.36	2001	24.74	2186	30.38				
5724	3600	740	2.57	862	3.73	1056	6.12	1215	8.53	1354	10.97	1598	<u>16.05</u>	1812	<u>21.39</u>	2009	27.12	2190	33.09	2359	39.31		
6360	4000	792	3.23	909	4.49	1098	7.17	1252	9.80	1387	12.46	1625	17.99	1833	23.70	2022	29.67	2198	35.93	2364	42.51	2519	49.23
6996	4400	846	4.02	957	5.37	1140	8.29	1291	11.20	1423	14.09	1654	20.02	1858	26.19	2041	32.46	2212	39.03	2373	45.87	2525	52.92
7632	4800	900	4.93	1008	6.41	1184	9.52	1332	12.72	1461	15.86	1687	22.24	1885	28.78	2065	35.50	2231	42.37	2387	49.46	2535	56.79
8268	5200	956	6.00	1059	7.57	1229	10.88	1374	14.37	1501	17.79	1722	24.62	1915	31.55	2092	38.72	2254	45.95	2406	53.36	2550	60.96
8904	5600	1012	7.22	1112	8.92	1276	12.42	1417	16.13	1542	19.85	1758	27.12	1948	34.52	2120	42.04	2280	49.74	2429	57.53	2570	65.48
9540	6000	1069	8.61	1165	10.42	1324	14.13	1461	18.03	1584	22.05	1797	29.86	1983	37.68	2152	45.64	2308	53.70	2455	61.94	2593	70.24
10176	6400	1127	10.20	1218	12.09	1373	16.01	1507	20.13	1627	24.39	1837	32.77	2020	41.06	2186	49.45	2339	57.92	2482	66.47	2619	75.27
10812	6800	1185	11.96	1273	13.98	1424	18.12	1553	22.39	1671	26.88	1878	35.85	2057	44.56	2221	53.43	2371	62.28	2512	71.28	2646	80.44
11448	7200	1244	13.95	1328	16.06	1475	20.41	1600	24.85	1715	29.51	1919	39.05	2096	48.30	2257	57.59	2405	66.90	2544	76.33	2675	85.80

CFM	OV	33" SP		34" SP		35" SP		36" SP		37" SP		38" SP		40" SP		42" SP		44" SP		46" SP			
		RPM	BHP	RPM	BHP	RPM	BHP	RPM	BHP	RPM	BHP	RPM	BHP	RPM	BHP	RPM	BHP	RPM	BHP	RPM	BHP		
6678	4200	2559	52.83	2596	54.62	2632	56.39	2668	58.21	2703	59.99	2738	61.82	2806	65.45	2873	69.16						
7632	4800	2572	58.74	2607	60.59	2643	62.55	2677	64.41	2712	66.38	2746	68.32	2813	72.23	2878	76.15	2942	80.13	3005	84.18		
8586	5400	2594	65.15	2628	67.12	2662	69.13	2696	71.19	2729	73.21	2762	75.26	2827	79.41	2890	83.54	2953	87.82	3014	92.07		
9540	6000	2627	72.38	2659	74.40	2692	76.54	2724	78.64	2756	80.77	2788	82.95	2850	87.24	2911	91.58	2971	95.98	3031	100.52		
10494	6600	2665	80.09	2697	82.32	2729	84.59	2760	86.81	2791	89.07	2822	91.37	2882	95.88	2941	100.45	2999	105.05	3056	109.69		
11448	7200	2706	88.14	2738	90.60	2769	93.00	2800	95.44	2830	97.82	2860	100.24	2919	105.08	2977	109.97	3034	114.89	3089	119.72		

MAXIMUM RPM: CLASS 22 = 2147 CLASS 32 = 2566 CLASS 45 = 3092

Performance certified is for installation type B & D: Free or ducted inlet, ducted outlet.
Power ratings (BHP) do not include transmission losses.
Performance ratings do not include the effects of appurtenances (accessories).

Underlined figures indicate maximum static efficiency.
Regular face to left of Class 32 = Class 22
Regular face in light shaded area = Class 32
Italic face to right of Class 32 = Class 45

MHW | Size 917



Fan Efficiency Grade = FEG67

CFM	OV	1" SP		2" SP		4" SP		6" SP		8" SP		12" SP		16" SP		20" SP		24" SP		28" SP		32" SP	
		RPM	BHP	RPM	BHP	RPM	BHP	RPM	BHP	RPM	BHP	RPM	BHP	RPM	BHP	RPM	BHP	RPM	BHP	RPM	BHP	RPM	BHP
1908	1200	493	0.53	664	1.02	912	2.10	1105	3.31														
2544	1600	528	0.78	690	1.39	933	2.72	1123	4.15	1284	5.66	1556	8.97										
3180	2000	568	1.10	722	1.84	957	3.41	1144	5.10	1303	6.84	1572	10.54	1800	14.53	2002	18.86						
3816	2400	610	1.52	759	2.40	985	4.21	1167	6.11	1325	8.13	1591	12.31	1817	16.70	2016	21.32	2197	26.22	2364	31.38		
4452	2800	655	2.05	800	3.07	1018	5.14	1195	7.28	1349	9.52	1613	14.23	1836	19.08	2034	24.13	2213	29.36	2378	34.82	2532	40.50
5088	3200	702	2.71	842	3.87	1054	6.20	1226	8.59	1376	11.05	1635	16.20	1857	21.60	2054	27.16	2231	32.79	2395	38.64	2547	44.63
5724	3600	753	3.53	886	4.82	1093	7.41	1261	10.08	1407	12.78	1660	18.36	1880	24.25	2075	30.32	2251	36.46	2414	42.76	2565	49.16
6360	4000	806	4.49	931	5.93	1134	8.80	1297	11.71	1440	14.67	1688	20.73	1904	27.05	2097	33.57	2272	40.25	2434	47.07		
6996	4400	862	5.64	977	7.21	1175	10.35	1336	13.54	1476	16.78	1719	23.32	1930	30.05	2120	37.00	2294	44.15	2455	51.49		
7632	4800	920	7.02	1026	8.71	1219	12.15	1377	15.59	1514	19.08	1752	26.13	1959	33.31	2146	40.71	2318	48.32	2477	56.06		
8268	5200	979	8.61	1078	10.44	1263	14.13	1418	17.84	1553	21.57	1787	29.18	1991	36.87	2174	44.67	2343	52.68	2500	60.85		
8904	5600	1040	10.49	1132	12.40	1308	16.36	1460	20.33	1594	24.35	1824	32.48	2024	40.64	2205	48.96	2371	57.40	2526	66.01		
9540	6000	1101	12.61	1187	14.60	1354	18.86	1504	23.11	1635	27.37	1862	36.00	2059	44.71	2237	53.49	2400	62.34	2553	71.40		
10176	6400	1163	15.02	1244	17.10	1401	21.61	1548	26.13	1677	30.66	1901	39.77	2095	49.02	2271	58.34	2432	67.68				
10812	6800	1225	17.72	1302	19.91	1450	24.65	1593	29.46	1720	34.25	1942	43.92	2133	53.65	2306	63.48	2465	73.31				
11448	7200	1288	20.76	1361	23.05	1501	28.00	1638	33.07	1764	38.15	1982	48.28	2172	58.57	2342	68.89	2499	79.23				

MAXIMUM RPM: CLASS 22 = 2232 CLASS 32 = 2576



Performance Data

919

Impeller Diameter: 33"
Tip Speed (FPM): 8.64 x RPM

Inlet Area: 1.97 ft²
Inlet Diameter: 19" O.D.

Outlet Area: 1.97 ft²
Outlet Dimension: 15⁷/₈" x 17¹³/₁₆"



MHO | Size 919

Fan Efficiency Grade = FEG7

CFM	OV	1" SP		2" SP		4" SP		6" SP		8" SP		12" SP		16" SP		20" SP		24" SP		28" SP		32" SP	
		RPM	BHP	RPM	BHP	RPM	BHP	RPM	BHP	RPM	BHP	RPM	BHP	RPM	BHP	RPM	BHP	RPM	BHP	RPM	BHP	RPM	BHP
2364	1200	433	0.67	<u>584</u>	<u>1.28</u>	810	2.66	986	4.19														
3152	1600	462	0.97	606	1.75	<u>821</u>	<u>3.41</u>	994	5.23	1142	7.16	1391	11.37										
3940	2000	497	1.37	632	2.31	841	4.30	<u>1007</u>	<u>6.40</u>	1151	8.61	1397	13.31	1606	18.40	1791	23.90						
4728	2400	536	1.87	664	2.99	864	5.29	<u>1026</u>	<u>7.71</u>	1165	10.19	1406	15.49	1613	21.09	1796	26.99	<u>1962</u>	<u>33.23</u>	2115	39.81		
5516	2800	579	2.51	700	3.81	891	6.43	1049	9.17	<u>1185</u>	<u>11.97</u>	1419	17.82	1623	24.05	1804	30.47	1968	37.13	2120	44.11	2261	51.34
6304	3200	625	3.31	738	4.76	922	7.74	1075	10.81	1208	13.92	<u>1437</u>	<u>20.36</u>	<u>1635</u>	<u>27.11</u>	1814	34.18	1976	41.37	2126	48.79	2266	56.46
7092	3600	673	4.29	779	5.90	956	9.24	1103	12.60	1233	16.04	1459	23.17	<u>1652</u>	<u>30.42</u>	1826	38.00	1987	45.89	2135	53.86	2274	62.06
7880	4000	722	5.47	823	7.25	992	10.91	1134	14.60	1261	18.39	1482	26.12	1673	34.06	1843	42.13	2000	50.52	2146	59.13	2283	67.87
8668	4400	773	6.88	869	8.83	1030	12.80	1168	16.84	1291	20.94	1507	29.31	1696	37.94	1863	46.57	2017	55.48	2160	64.59	2295	73.97
9456	4800	825	8.53	916	10.64	1070	14.93	1204	19.33	1324	23.78	1534	32.74	1720	42.01	1886	51.38	2037	60.81	2177	70.38	2309	80.19
10244	5200	879	10.48	964	12.71	1112	17.33	1242	22.09	1358	26.84	1563	36.43	1745	46.30	1909	56.32	2059	66.46	2197	76.60	2327	86.93
11032	5600	934	12.73	1014	15.12	1156	20.04	1281	25.10	1394	30.20	1595	40.50	1772	50.90	1934	61.59	2082	72.34	2219	83.16	2347	94.04
11820	6000	989	15.27	1064	17.79	1201	23.04	1322	28.44	1432	33.89	1628	44.84	1801	55.83	1960	67.13	2106	78.50	2242	90.00	2370	101.67
12608	6400	1045	18.18	1115	20.80	1248	26.44	1364	32.09	1471	37.87	1663	49.54	1832	61.13	1988	73.05	2132	85.06	2266	97.14	2392	109.34
13396	6800	1102	21.47	1168	24.23	1295	30.13	1408	36.15	1511	42.18	1698	54.47	1865	66.84	2017	79.25	2158	91.80	2291	104.60	2416	117.47
14184	7200	1159	25.14	1221	28.00	1343	34.21	1452	40.49	1553	46.93	1735	59.82	1899	72.89	2048	85.90	2187	99.11	2317	112.38	2441	125.95

CFM	OV	33" SP		34" SP		35" SP		36" SP		37" SP		38" SP		40" SP		42" SP		44" SP		46" SP	
		RPM	BHP	RPM	BHP	RPM	BHP	RPM	BHP	RPM	BHP	RPM	BHP	RPM	BHP	RPM	BHP	RPM	BHP	RPM	BHP
5910	3000	2297	55.74	2330	57.63	2363	59.58	2395	61.51	2427	63.48	2459	65.51	2520	69.46	2580	73.52	2639	77.68		
7092	3600	2307	64.10	2340	66.20	2372	68.26	2404	70.38	2436	72.54	2467	74.67	2528	78.98	2587	83.29	2645	87.69	2702	92.18
8274	4200	2322	73.23	2354	75.49	2386	77.80	2417	80.07	2448	82.38	2479	84.74	2539	89.41	2598	94.16	2655	98.87	2712	103.77
9456	4800	<u>2341</u>	<u>82.69</u>	<u>2373</u>	<u>85.25</u>	<u>2404</u>	<u>87.76</u>	<u>2435</u>	<u>90.32</u>	<u>2466</u>	<u>92.93</u>	<u>2496</u>	<u>95.47</u>	2555	100.58	2613	105.75	2669	110.86	2725	116.15
10638	5400	<u>2368</u>	<u>93.13</u>	<u>2399</u>	<u>95.85</u>	<u>2429</u>	<u>98.50</u>	<u>2459</u>	<u>101.22</u>	<u>2489</u>	<u>103.99</u>	<u>2518</u>	<u>106.68</u>	<u>2575</u>	<u>112.11</u>	<u>2632</u>	<u>117.75</u>	<u>2687</u>	<u>123.32</u>	<u>2742</u>	<u>129.07</u>
11820	6000	2400	104.49	2430	107.37	2460	110.31	<u>2489</u>	<u>113.17</u>	<u>2518</u>	<u>116.09</u>	<u>2547</u>	<u>119.07</u>	2603	124.90	2658	130.80	2711	136.60	2764	142.61
13002	6600	2434	116.49	2464	119.67	2494	122.91	2523	126.06	2551	129.12	2579	132.24	2635	138.65	2688	144.80	<u>2741</u>	<u>151.15</u>		
14184	7200	2470	129.21	2500	132.68	2529	136.07	2557	139.36	2586	142.87	2614	146.29	2668	152.95	2722	159.85	2774	166.61		

MAXIMUM RPM: CLASS 22 = 1951 CLASS 32 = 2315 CLASS 45 = 2777

MHA | Size 919



Fan Efficiency Grade = FEG75

CFM	OV	1" SP		2" SP		4" SP		6" SP		8" SP		12" SP		16" SP		20" SP		24" SP		28" SP		32" SP	
		RPM	BHP	RPM	BHP	RPM	BHP	RPM	BHP	RPM	BHP	RPM	BHP	RPM	BHP	RPM	BHP	RPM	BHP	RPM	BHP	RPM	BHP
2364	1200	426	0.56	576	1.12																		
3152	1600	457	0.81	<u>596</u>	<u>1.49</u>	811	3.02	987	4.75														
3940	2000	493	1.11	625	1.95	<u>827</u>	<u>3.71</u>	994	5.64	1141	7.75												
4728	2400	532	1.48	658	2.47	851	4.51	1009	6.65	1149	8.95	1395	14.00										
5516	2800	574	1.93	695	3.10	880	5.41	1032	7.82	1166	10.34	1401	15.74	1608	21.63								
6304	3200	618	2.49	733	3.80	913	6.44	1059	9.11	1189	11.91	<u>1415</u>	<u>17.72</u>	1615	23.99	1796	30.65	1962	37.63				
7092	3600	664	3.18	773	4.61	948	7.59	1090	10.55	1215	13.58	<u>1434</u>	<u>19.88</u>	<u>1627</u>	<u>26.53</u>	1803	33.59	1966	41.01	2117	48.68		
7880	4000	711	4.00	815	5.55	985	8.87	1123	12.12	1245	15.44	1458	22.27	1645	29.36	1815	36.76	1973	44.53	2122	52.68	2262	61.08
8668	4400	758	4.96	859	6.66	1023	10.27	1158	13.85	1277	17.45	1484	24.78	1667	32.41	1832	40.22	1985	48.32	2130	56.83	2267	65.62
9456	4800	807	6.09	904	7.93	1062	11.78	1195	15.75	1311	19.64	1514	27.56	1692	35.67	1854	44.02	<u>2002</u>	<u>52.46</u>	<u>2143</u>	<u>61.33</u>	2276	70.43
10244	5200	857	7.42	950	9.37	1103	13.49	1233	17.80	1347	22.04	1545	30.47	1719	39.10	1877	47.93	<u>2023</u>	<u>56.93</u>	<u>2160</u>	<u>66.15</u>	<u>2289</u>	<u>75.55</u>
11032	5600	907	8.91	997	11.02	1144	15.35	1272	20.00	1384	24.60	1578	33.62	1749	42.81	1903	52.10	2047	61.68	2180	71.26	2307	81.15
11820	6000	959	10.66	1044	12.86	1188	17.50	1311	22.33	1421	27.29	1612	36.95	1780	46.70	1931	56.50	2072	66.58	2204	76.80	2327	86.98
12608	6400	1010	12.59	1092	14.93	1237	19.83	1351	24.86	1460	30.21	1648	40.55	1812	50.79	1961	61.18	2099	71.73	2228	82.39	2350	93.18
13396	6800	1062	14.76	1141	17.26	1277	22.40	1393	27.70	1499	33.27	1685	44.38	1846	55.19	1993	66.16	2128	77.17	2254	88.24	2374	99.55
14184	7200	1115	17.22	1191	19.86	1323	25.25	1436	30.80	1539	36.56	1722	48.37	1881	59.83	2025	71.29	2158	82.83	2283	94.54	2400	106.22

CFM	OV	33" SP		34" SP		35" SP		36" SP		37" SP		38" SP		40" SP		42" SP		44" SP		46" SP			
		RPM	BHP	RPM	BHP	RPM	BHP	RPM	BHP	RPM	BHP	RPM	BHP	RPM	BHP	RPM	BHP	RPM	BHP	RPM	BHP		
8274	4200	2297	65.47	2330	67.67	2363	69.92	2395	72.14	2427	74.40	2458	76.63	2519	81.13	2579	85.71						
9456	4800	2308	72.72	2340	75.07	2372	77.46	2403	79.82	2434	82.22	2465	84.66	2525	89.51	2584	94.43	2641	99.32	2698	104.39		
10638	5400	<u>2329</u>	<u>80.79</u>	<u>2359</u>	<u>83.18</u>	<u>2390</u>	<u>85.73</u>	<u>2420</u>	<u>88.22</u>	<u>2449</u>	<u>90.65</u>	<u>2479</u>	<u>93.24</u>	2537	98.34	2595	103.63	2651	108.86	2706	114.16		
11820	6000	<u>2357</u>	<u>89.58</u>	<u>2387</u>	<u>92.22</u>	<u>2416</u>	<u>94.80</u>	<u>2445</u>	<u>97.43</u>	<u>2474</u>	<u>100.12</u>	<u>2502</u>	<u>102.72</u>	2558	108.08	2613	113.49	2667	118.96	2720	124.47		
13002	6600	2392	99.23	<u>2420</u>	<u>101.90</u>	<u>2449</u>	<u>104.75</u>	<u>2477</u>	<u>107.53</u>	<u>2505</u>	<u>110.35</u>	<u>2533</u>	<u>113.22</u>	2587	118.83	2640	124.49	2692	130.18	2743	135.91		
14184	7200	2429	109.25	2457	112.19	2485	115.19	2513	118.23	2540	121.19	2567	124.20	2620	130.20	2672	136.24	2723	142.32	2773	148.41		

MHW | Size 919



Fan Efficiency Grade = FEG67

CFM	OV	1" SP		2" SP		4" SP		6" SP		8" SP		12" SP		16" SP		20" SP		24" SP		28" SP		32" SP	
		RPM	BHP	RPM	BHP	RPM	BHP	RPM	BHP	RPM	BHP	RPM	BHP	RPM	BHP	RPM	BHP	RPM	BHP	RPM	BHP	RPM	BHP
2364	1200	443	0.66	596	1.26	819	2.61	992	4.10														
3152	1600	474	0.96	619	1.72	837	3.37	1008	5.14	1152	7.00	1397	11.13										
3940	2000	509	1.36	648	2.28	859	4.23	1027	6.32	1170	8.49	1411	13.06	1616	18.02	1797	23.38						
4728	2400	548	1.89	681	2.97	884	5.21	1048	7.59	1189	10.07	1428	15.25	1631	20.70	1810	26.44	1972	32.49	2122	38.90		
5516	2800	588	2.54	717	3.78	914	6.37	1072	9.01	1211	11.80	1447	17.60	1648	23.64	1826	29.91	1986	36.36	2135	43.17	2273	50.21
6304	3200	630	3.36	755	4.78	946	7.68	1100	10.63	1235	13.69	1468	20.09	1667	26.77	1843	33.61	2003	40.66	2150	47.90	2286	55.29
7092	3600	675	4.35	794	5.94	981	9.18	1131	12.47	1262	15.80	1490	22.75	1687	30.02	1862	37.53	2021	45.21	2167	53.00	2302	60.88
7880	4000	723	5.55	835	7.33	1017	10.88	1164	14.51	1293	18.20	1515	25.68	1709	33.51	1882	41.58	2040	49.92	2185	58.34		
8668	4400	773	6.98	876	8.91	1055	12.84	1199	16.77	1325	20.80	1543	28.90	1732	37.21	1903	45.85	2059	54.70	2204	63.84		
9456	4800	825	8.67	920	10.77	1093	15.01	1235	19.27	1358	23.59	1572	32.34	1758	41.25	1926	50.42	2080	59.81	2223	69.43		
10244	5200	878	10.65	967	12.91	1133	17.48	1272	22.06	1394	26.74	1604	36.15	1787	45.67	1951	55.31	2103	65.27	2244	75.40		
11032	5600	932	12.94	1015	15.32	1173	20.22	1310	25.16	1430	30.13	1636	40.16	1816	50.30	1978	60.55	2128	71.10	2267	81.75		
11820	6000	987	15.57	1065	18.07	1214	23.30	1349	28.58	1467	33.87	1671	44.59	1848	55.38	2007	66.18	2154	77.21	2291	88.41		
12608	6400	1042	18.53	1115	21.11	1256	26.69	1389	32.35	1505	37.97	1706	49.26	1880	60.70	2038	72.25	2182	83.75				
13396	6800	1099	21.94	1167	24.58	1301	30.52	1429	36.44	1543	42.37	1742	54.32	1914	66.42	2069	78.56	2212	90.77				
14184	7200	1155	25.67	1220	28.47	1347	34.68	1470	40.96	1583	47.25	1779	59.83	1949	72.51	2101	85.23	2243	98.17				

MAXIMUM RPM: CLASS 22 = 2004 CLASS 32 = 2313



MHW | Size 921



Fan Efficiency Grade = FEG67

CFM	OV	1" SP		2" SP		4" SP		6" SP		8" SP		12" SP		16" SP		20" SP		24" SP		28" SP		32" SP	
		RPM	BHP	RPM	BHP	RPM	BHP	RPM	BHP	RPM	BHP	RPM	BHP	RPM	BHP	RPM	BHP	RPM	BHP	RPM	BHP	RPM	BHP
2892	1200	396	0.77	532	1.47	732	3.05	889	4.85														
3856	1600	423	1.14	553	2.02	747	3.92	901	6.01	1031	8.23	1252	13.14										
4820	2000	453	1.61	579	2.69	767	4.95	916	7.33	1045	9.89	1263	15.35	1448	21.28								
5784	2400	486	2.22	608	3.51	790	6.15	935	8.85	1061	11.71	1276	17.79	1459	24.28	1620	31.11	1767	38.37	1903	46.03		
6748	2800	521	2.98	637	4.46	817	7.52	958	10.61	1081	13.80	1292	20.49	1472	27.56	1632	34.98	1777	42.72	1911	50.82	2036	59.24
7712	3200	559	3.93	670	5.63	845	9.08	984	12.58	1104	16.15	1310	23.43	1488	31.15	1646	39.17	1790	47.52	1922	56.09	2046	65.03
8676	3600	600	5.11	704	6.99	873	10.82	1011	14.73	1128	18.65	1331	26.71	1505	34.95	1662	43.67	1804	52.59	1935	61.77	2057	71.17
9640	4000	643	6.54	740	8.58	903	12.80	1039	17.13	1155	21.45	1354	30.27	1525	39.17	1679	48.40	1820	58.01	1950	67.83	2071	77.83
10604	4400	688	8.27	778	10.46	935	15.07	1068	19.80	1183	24.52	1379	34.10	1548	43.82	1699	53.64	1837	63.70	1965	74.06	2086	84.82
11568	4800	734	10.29	818	12.64	969	17.65	1098	22.75	1211	27.85	1405	38.18	1572	48.73	1721	59.30	1857	69.97	1983	80.84		
12532	5200	781	12.65	859	15.13	1004	20.53	1129	25.99	1240	31.50	1433	42.66	1597	53.89	1744	65.25	1878	76.60	2003	88.16		
13496	5600	828	15.33	902	18.01	1040	23.73	1162	29.63	1270	35.48	1461	47.46	1624	59.48	1768	71.49	1901	83.69	2024	95.87		
14460	6000	877	18.46	946	21.27	1077	27.29	1196	33.61	1302	39.90	1489	52.58	1651	65.36	1794	78.16	1925	91.10	2047	104.11		
15424	6400	926	21.99	992	25.02	1116	31.32	1231	37.99	1334	44.61	1518	58.10	1679	71.71	1821	85.24	1950	98.84	2071	112.71		
16388	6800	975	25.91	1038	29.16	1156	35.77	1267	42.78	1368	49.84	1548	64.05	1707	78.42	1848	92.67	1977	107.17				
17352	7200	1025	30.35	1084	33.70	1197	40.67	1304	48.03	1403	55.52	1579	70.45	1735	85.49	1876	100.66	2004	115.84				

MAXIMUM RPM: CLASS 22 = 1791 CLASS 32 = 2091



Performance Data

923

Impeller Diameter: 40"
Tip Speed (FPM): 10.47 x RPM

Inlet Area: 2.88 ft²
Inlet Diameter: 23" O.D.

Outlet Area: 2.90 ft²
Outlet Dimension: 19¼" x 21½"



MHO | Size 923

Fan Efficiency Grade = FEG71

CFM	OV	1" SP		2" SP		4" SP		6" SP		8" SP		12" SP		16" SP		20" SP		24" SP		28" SP		32" SP	
		RPM	BHP	RPM	BHP	RPM	BHP	RPM	BHP	RPM	BHP	RPM	BHP	RPM	BHP	RPM	BHP	RPM	BHP	RPM	BHP	RPM	BHP
3480	1200	349	0.91	<u>475</u>	<u>1.76</u>	663	3.59	809	5.52														
4640	1600	374	1.35	489	2.39	<u>669</u>	<u>4.69</u>	813	7.12	935	9.59	1142	14.90										
5800	2000	405	1.94	511	3.19	<u>679</u>	<u>5.84</u>	<u>819</u>	<u>8.75</u>	940	11.78	1144	17.90	1317	24.31								
6960	2400	439	2.71	539	4.18	697	7.24	829	10.48	947	13.96	1149	21.18	1320	28.45	1472	35.99	1609	43.78	<u>1735</u>	<u>51.90</u>		
8120	2800	476	3.70	570	5.40	721	8.91	846	12.51	<u>958</u>	<u>16.32</u>	<u>1156</u>	<u>24.47</u>	1325	32.82	1475	41.23	1611	49.79	1737	58.65	1853	67.63
9280	3200	515	4.93	604	6.88	747	10.77	868	14.86	974	18.97	<u>1164</u>	<u>27.78</u>	<u>1332</u>	<u>37.19</u>	1481	46.76	1616	56.32	1740	65.92	1855	75.60
10440	3600	558	6.51	639	8.61	777	12.98	893	17.49	996	22.08	<u>1177</u>	<u>31.47</u>	<u>1340</u>	<u>41.59</u>	1487	52.09	1621	62.79	1744	73.41	1859	84.11
11600	4000	602	8.41	676	10.65	809	15.53	920	20.38	1020	25.46	1195	35.64	1351	46.29	1495	57.58	1628	69.26	1750	80.99	1864	92.76
12760	4400	648	10.72	715	13.07	842	18.40	950	23.72	1046	29.14	1217	40.30	1367	51.56	1506	63.44	<u>1636</u>	<u>75.84</u>	<u>1757</u>	<u>88.49</u>	<u>1870</u>	<u>101.29</u>
13920	4800	695	13.47	757	15.97	877	21.68	981	27.42	1074	33.21	1240	45.23	1387	57.42	1521	69.86	1646	82.71	1765	96.15	1877	109.84
15080	5200	742	16.64	800	19.31	912	25.29	1014	31.60	1104	37.77	1266	50.66	1409	63.69	1539	76.81	<u>1660</u>	<u>90.23</u>	<u>1776</u>	<u>104.33</u>	<u>1885</u>	<u>118.58</u>
16240	5600	791	20.39	845	23.21	949	29.40	1048	36.20	1136	42.88	1293	56.44	1433	70.43	1560	84.38	1678	98.52	1790	113.09	1896	127.90
17400	6000	840	24.67	890	27.58	988	34.08	1083	41.28	1169	48.46	1322	62.82	1458	77.51	1583	92.49	1699	107.52	1807	122.53	1910	137.88
18560	6400	889	29.48	936	32.55	1028	39.28	1118	46.75	1203	54.55	1352	69.73	1485	85.18	1607	100.97	1721	116.94	1827	132.77	1928	148.88
19720	6800	938	34.87	983	38.17	1070	45.19	1155	52.89	1238	61.21	1383	77.20	1513	93.37	1633	110.07	1744	126.79	1849	143.67	1947	160.30
20880	7200	988	40.99	1031	44.50	1113	51.75	1193	59.62	1273	68.32	1416	85.43	1543	102.38	1660	119.70	1769	137.30	1872	155.06	1969	172.69

CFM	OV	33" SP		34" SP		35" SP		36" SP		37" SP		38" SP		40" SP		42" SP		44" SP		46" SP		
		RPM	BHP	RPM	BHP	RPM	BHP	RPM	BHP	RPM	BHP	RPM	BHP	RPM	BHP	RPM	BHP	RPM	BHP	RPM	BHP	
8700	3000	1882	73.96	1909	76.30	1936	78.70	1963	81.17	1989	83.58	2015	86.04	2066	91.03	2116	96.12					
10440	3600	1887	86.85	1914	89.51	1940	92.10	1967	94.89	1993	97.60	2018	100.22	2069	105.79	2118	111.28	2166	116.85	2212	122.31	
12180	4200	1894	100.10	1921	103.20	1948	106.35	1974	109.41	1999	112.35	2025	115.52	2075	121.69	2123	127.74	2171	134.01	2217	140.13	
13920	4800	1904	113.30	1931	116.83	1957	120.26	1983	123.76	2008	127.15	2033	130.60	2083	137.71	2131	144.65	2178	151.60	2224	158.55	
15660	5400	<u>1917</u>	<u>127.00</u>	<u>1943</u>	<u>130.75</u>	<u>1969</u>	<u>134.57</u>	<u>1994</u>	<u>138.27</u>	<u>2019</u>	<u>142.04</u>	<u>2044</u>	<u>145.89</u>	<u>2093</u>	<u>153.59</u>	<u>2140</u>	<u>161.13</u>	<u>2187</u>	<u>168.94</u>	<u>2233</u>	<u>176.79</u>	
17400	6000	<u>1936</u>	<u>141.98</u>	<u>1961</u>	<u>145.94</u>	<u>1985</u>	<u>149.76</u>	<u>2010</u>	<u>153.87</u>	<u>2034</u>	<u>157.83</u>	<u>2058</u>	<u>161.86</u>	<u>2106</u>	<u>170.15</u>	<u>2152</u>	<u>178.24</u>	<u>2198</u>	<u>186.60</u>	<u>2243</u>	<u>194.98</u>	
19140	6600	1962	158.77	1985	162.69	2009	166.93	2033	171.25	2056	175.39	2079	179.60	2125	188.25	2169	196.65	2214	205.59	2257	214.24	
20880	7200	1992	176.97	2015	181.33	2038	185.77	2061	190.27	2084	194.86	2106	199.24	2150	208.21	2193	217.18	2235	226.11	2277	235.32	

MAXIMUM RPM: CLASS 22 = 1623 CLASS 32 = 1910 CLASS 45 = 2292

MHA | Size 923



Fan Efficiency Grade = FEG80

CFM	OV	1" SP		2" SP		4" SP		6" SP		8" SP		12" SP		16" SP		20" SP		24" SP		28" SP		32" SP	
		RPM	BHP	RPM	BHP	RPM	BHP	RPM	BHP	RPM	BHP	RPM	BHP	RPM	BHP	RPM	BHP	RPM	BHP	RPM	BHP	RPM	BHP
3480	1200	349	0.81	473	1.61																		
4640	1600	375	1.17	<u>488</u>	<u>2.14</u>	666	4.32																
5800	2000	406	1.62	511	2.78	<u>678</u>	<u>5.32</u>	816	8.07														
6960	2400	439	2.16	540	3.58	697	6.47	828	9.57	944	12.87												
8120	2800	474	2.82	571	4.50	721	7.79	845	11.21	956	14.85	1151	22.55										
9280	3200	511	3.65	604	5.54	748	9.28	867	13.08	<u>973</u>	<u>17.03</u>	<u>1161</u>	<u>25.46</u>	1326	34.28								
10440	3600	549	4.63	638	6.72	778	10.99	893	15.19	995	19.51	<u>1175</u>	<u>28.52</u>	<u>1335</u>	<u>38.10</u>	1481	48.08						
11600	4000	589	5.82	673	8.10	809	12.85	921	17.52	1019	22.17	1194	31.94	1349	42.19	1490	52.85	1621	63.84				
12760	4400	629	7.18	710	9.73	842	14.91	951	20.09	1046	25.13	1215	35.57	<u>1365</u>	<u>46.43</u>	<u>1502</u>	<u>57.74</u>	<u>1630</u>	<u>69.53</u>	1749	81.44	1862	93.55
13920	4800	671	8.81	747	11.55	875	17.12	982	22.86	1075	28.38	1239	39.53	1385	51.12	<u>1518</u>	<u>63.03</u>	<u>1642</u>	<u>75.40</u>	<u>1758</u>	<u>88.01</u>	1869	101.06
15080	5200	714	10.71	786	13.66	910	19.65	1014	25.83	1106	31.94	1265	43.81	1407	56.09	<u>1537</u>	<u>68.73</u>	<u>1658</u>	<u>81.74</u>	<u>1771</u>	<u>94.99</u>	1879	108.68
16240	5600	758	12.91	826	16.04	945	22.43	1047	29.02	1137	35.67	1293	48.45	1432	61.52	1558	74.76	<u>1675</u>	<u>88.25</u>	<u>1786</u>	<u>102.21</u>	1891	116.45
17400	6000	802	15.39	866	18.68	981	25.51	1081	32.51	1169	39.63	1323	53.52	1458	67.23	1581	81.15	1695	95.28	1804	109.96	1907	124.87
18560	6400	847	18.22	907	21.64	1018	28.94	1115	36.26	1202	43.87	1353	58.77	1485	73.26	1606	87.99	1718	102.89	1823	117.95	<u>1924</u>	<u>133.52</u>
19720	6800	892	21.37	949	24.98	1056	32.71	1150	40.41	1235	48.34	1384	64.35	1514	79.78	1632	95.16	1742	110.81	1845	126.59	1943	142.63
20880	7200	937	24.87	991	28.63	1094	36.77	1186	44.96	1269	53.20	1416	70.24	1544	86.69	1659	102.72	1767	119.09	1869	135.77	1964	152.25

CFM	OV	33" SP		34" SP		35" SP		36" SP		37" SP		38" SP		40" SP		42" SP		44" SP		46" SP		
		RPM	BHP	RPM	BHP	RPM	BHP	RPM	BHP	RPM	BHP	RPM	BHP	RPM	BHP	RPM	BHP	RPM	BHP	RPM	BHP	
13920	4800	1895	104.20	1922	107.58	1948	110.84	1974	114.15	1999	117.35	2024	120.59									
15660	5400	<u>1910</u>	<u>115.97</u>	<u>1936</u>	<u>119.60</u>	<u>1961</u>	<u>123.13</u>	<u>1986</u>	<u>126.71</u>	2011	130.36	20										

MHW | Size 923



Fan Efficiency Grade = FEG67

CFM	OV	1" SP		2" SP		4" SP		6" SP		8" SP		12" SP		16" SP		20" SP		24" SP		28" SP		32" SP	
		RPM	BHP	RPM	BHP	RPM	BHP	RPM	BHP	RPM	BHP	RPM	BHP	RPM	BHP	RPM	BHP	RPM	BHP	RPM	BHP	RPM	BHP
3480	1200	361	0.93	485	1.77	668	3.67	811	5.82														
4640	1600	386	1.37	505	2.44	682	4.72	822	7.22	941	9.90	1143	15.83										
5800	2000	413	1.94	529	3.25	700	5.96	836	8.82	954	11.91	1152	18.43	1321	25.57								
6960	2400	443	2.66	555	4.23	721	7.40	854	10.68	968	14.08	1164	21.38	1331	29.18	1479	37.46	1613	46.18	1736	55.30		
8120	2800	476	3.59	582	5.38	746	9.07	875	12.80	987	16.62	1179	24.65	1343	33.12	1489	42.04	1622	51.42	1744	61.13	1858	71.24
9280	3200	511	4.75	612	6.79	771	10.92	898	15.13	1007	19.39	1195	28.15	1358	37.47	1502	47.11	1633	57.10	1754	67.47	1867	78.20
10440	3600	548	6.16	643	8.42	797	13.03	923	17.74	1030	22.47	1215	32.16	1374	42.09	1516	52.45	1646	63.23	1766	74.31	1878	85.71
11600	4000	587	7.87	676	10.35	825	15.45	949	20.66	1055	25.87	1236	36.44	1392	47.15	1532	58.20	1661	69.79	1779	81.52	1890	93.63
12760	4400	628	9.94	711	12.63	854	18.17	975	23.84	1080	29.52	1259	41.07	1413	52.75	1550	64.47	1676	76.57	1794	89.21	1904	102.08
13920	4800	670	12.38	747	15.23	885	21.27	1002	27.36	1106	33.57	1283	46.01	1435	58.67	1571	71.39	1695	84.22	1810	97.30		
15080	5200	713	15.23	785	18.26	917	24.75	1031	31.33	1132	37.92	1308	51.35	1458	64.91	1592	78.56	1714	92.17	1828	106.07		
16240	5600	757	18.52	824	21.72	950	28.62	1061	35.69	1160	42.78	1334	57.18	1482	71.54	1614	86.07	1735	100.70	1848	115.51		
17400	6000	801	22.25	865	25.72	984	32.94	1092	40.49	1189	48.09	1360	63.40	1507	78.67	1638	94.15	1757	109.63	1869	125.42		
18560	6400	846	26.51	906	30.14	1019	37.72	1124	45.76	1218	53.73	1386	69.99	1533	86.39	1663	102.75	1780	118.99	1890	135.58		
19720	6800	892	31.37	948	35.13	1056	43.13	1157	51.55	1249	60.02	1413	77.09	1558	94.37	1688	111.78	1805	129.08				
20880	7200	937	36.66	991	40.72	1093	48.98	1191	57.90	1281	66.87	1441	84.74	1584	102.96	1713	121.29	1829	139.38				

MAXIMUM RPM: CLASS 22 = 1635 CLASS 32 = 1912



Performance Data

926

Impeller Diameter: 45.125"
Tip Speed (FPM): 11.81 x RPM

Inlet Area: 3.68 ft²
Inlet Diameter: 26" O.D.

Outlet Area: 3.69 ft²
Outlet Dimension: 21³/₄" x 24⁷/₁₆"

MHO/R | Size 926



MHO Impeller used for Class 22.
 MHR Impeller used for Class 32 and 45.

Fan Efficiency Grade = FEG71

CFM	OV	1" SP		2" SP		4" SP		6" SP		8" SP		12" SP		16" SP		20" SP		24" SP		28" SP		32" SP	
		RPM	BHP	RPM	BHP	RPM	BHP	RPM	BHP	RPM	BHP	RPM	BHP	RPM	BHP	RPM	BHP	RPM	BHP	RPM	BHP	RPM	BHP
4428	1200	310	1.16	421	2.23	588	4.57	717	7.03														
5904	1600	332	1.72	433	3.04	593	5.96	721	9.07	829	12.21	1012	18.94										
7380	2000	359	2.47	453	4.06	602	7.44	726	11.13	833	14.98	1014	22.77	1168	30.98								
8856	2400	389	3.45	478	5.33	618	9.22	735	13.34	840	17.80	1019	26.99	1170	36.19	1305	45.82	1426	55.68	1538	66.05		
10332	2800	422	4.71	505	6.86	639	11.34	750	15.93	849	20.75	1024	31.07	1175	41.81	1308	52.53	1428	63.35	1539	74.53	1643	86.13
11808	3200	457	6.29	535	8.73	653	13.75	769	18.88	864	24.19	1032	35.37	1181	47.35	1312	59.39	1432	71.59	1542	83.81	1645	96.32
13284	3600	494	8.25	566	10.93	689	16.53	791	22.20	883	28.11	1043	40.01	1188	52.95	1318	66.26	1437	79.91	1546	93.42	1648	107.05
14760	4000	534	10.72	599	13.54	717	19.75	816	25.98	904	32.38	1059	45.31	1198	58.97	1325	73.23	1443	88.11	1551	103.01	1652	117.96
16236	4400	574	13.62	634	16.65	747	23.47	842	30.18	927	37.05	1079	51.32	1212	65.65	1335	80.73	1450	96.46	1557	112.50	1658	128.98
17712	4800	616	17.14	671	20.32	777	27.55	870	34.95	952	42.25	1099	57.53	1229	72.98	1348	88.84	1459	105.23	1565	122.46	1664	139.82
19188	5200	658	21.20	709	24.55	809	32.25	899	40.23	979	48.12	1122	64.42	1249	81.05	1364	97.70	1472	114.93	1574	132.68	1671	150.91
20664	5600	701	25.94	749	29.53	841	37.38	929	46.07	1007	54.56	1146	71.80	1270	89.57	1383	107.42	1488	125.51	1586	143.71	1681	162.85
22140	6000	744	31.31	789	35.11	876	43.40	960	52.53	1036	61.62	1172	79.97	1293	98.77	1403	117.63	1506	136.81	1602	155.99	1693	175.43
23616	6400	788	37.51	830	41.46	912	50.12	991	59.49	1067	69.54	1198	88.64	1316	108.31	1425	128.63	1525	148.65	1620	169.11	1709	189.43
25092	6800	832	44.46	871	48.51	949	57.61	1024	67.34	1097	77.81	1226	98.25	1341	118.77	1447	139.91	1546	161.37	1639	182.82	1726	204.02
26568	7200	876	52.20	913	56.47	987	65.94	1058	75.98	1128	86.85	1255	108.66	1368	130.35	1471	152.17	1568	174.68	1659	197.18	1745	219.61

CFM	OV	33" SP		34" SP		35" SP		36" SP		37" SP		38" SP		40" SP		42" SP		44" SP		46" SP			
		RPM	BHP	RPM	BHP	RPM	BHP	RPM	BHP	RPM	BHP	RPM	BHP	RPM	BHP	RPM	BHP	RPM	BHP	RPM	BHP	RPM	BHP
11070	3000	1668	94.07	1692	97.06	1716	100.13	1740	103.28	1763	106.33	1786	109.46	1831	115.76	1876	122.37						
13284	3600	1672	110.37	1696	113.78	1720	117.26	1743	120.62	1767	124.26	1789	127.57	1834	134.61	1877	141.50	1920	148.69	1961	155.69		
15498	4200	1679	127.40	1703	131.36	1726	135.15	1750	139.26	1772	142.97	1795	146.99	1839	154.76	1882	162.58	1924	170.41	1965	178.26		
17712	4800	1688	144.23	1711	148.48	1735	153.09	1758	157.54	1780	161.80	1802	166.16	1846	175.11	1889	184.07	1931	193.01	1971	201.62		
19926	5400	1699	161.53	1722	166.28	1745	171.13	1768	176.09	1790	180.84	1812	185.68	1855	195.34	1897	205.04	1939	215.10	1979	224.82		
22140	6000	1716	180.63	1738	185.62	1760	190.71	1782	195.89	1803	200.84	1825	206.21	1867	216.57	1908	226.95	1949	237.67	1988	248.02		
24354	6600	1739	201.97	1760	207.17	1781	212.47	1802	217.87	1822	222.99	1843	228.58	1883	239.29	1923	250.36	1962	261.39	2001	272.75		
26568	7200	1766	225.29	1787	231.07	1807	236.57	1827	242.15	1847	247.83	1867	253.61	1905	264.61	1944	276.38	1981	287.65	2018	299.26		

MAXIMUM RPM: CLASS 22 = 1439 CLASS 32 = 1693 CLASS 45 = 2032

MHA | Size 926



Fan Efficiency Grade = FEG80

CFM	OV	1" SP		2" SP		4" SP		6" SP		8" SP		12" SP		16" SP		20" SP		24" SP		28" SP		32" SP	
		RPM	BHP	RPM	BHP	RPM	BHP	RPM	BHP	RPM	BHP	RPM	BHP	RPM	BHP	RPM	BHP	RPM	BHP	RPM	BHP	RPM	BHP
4428	1200	309	1.03	419	2.05																		
5904	1600	332	1.48	433	2.73	591	5.51																
7380	2000	359	2.05	453	3.54	601	6.77	724	10.30														
8856	2400	389	2.74	478	4.54	617	8.20	734	12.19	836	16.33												
10332	2800	420	3.59	506	5.72	639	9.91	749	14.27	847	18.87	1020	28.67										
11808	3200	453	4.64	535	7.03	663	11.81	769	16.67	863	21.71	1029	32.38	1176	43.68								
13284	3600	487	5.91	565	8.53	690	14.01	791	19.29	882	24.82	1042	36.33	1184	48.55								
14760	4000	522	7.40	597	10.34	717	16.35	816	22.26	904	28.28	1058	40.60	1195	53.58	1320	67.13	1436	81.08				
16236	4400	558	9.16	629	12.37	746	18.95	843	25.57	927	31.95	1077	45.26	1210	59.09	1332	73.58	1444	88.31	1550	103.55	1650	118.92
17712	4800	595	11.23	662	14.69	776	21.82	870	29.05	953	36.12	1099	50.40	1227	64.94	1346	80.28	1456	96.04	1559	112.14	1656	128.42
19188	5200	633	13.64	697	17.40	807	25.04	899	32.89	980	40.60	1122	55.84	1247	71.34	1362	87.38	1469	103.87	1570	120.91	1665	138.15
20664	5600	671	16.36	732	20.40	838	28.57	928	36.92	1008	45.41	1146	61.63	1269	78.21	1381	95.12	1485	112.35	1583	130.02	1677	148.38
22140	6000	711	19.59	767	23.71	870	32.52	958	41.34	1036	50.40	1172	67.97	1292	85.47	1401	103.17	1503	121.36	1599	139.90	1690	158.78
23616	6400	750	23.11	804	27.55	902	36.78	989	46.24	1065	55.75	1199	74.73	1316	93.15	1423	111.83	1523	130.96	1616	150.11	1705	169.76
25092	6800	790	27.13	841	31.76	936	41.62	1020	51.52	1095	61.56	1227	81.92	1342	101.52	1446	120.94	1544	140.97	1635	160.95	1722	181.40
26568	7200	831	31.70	879	36.50	970	46.84	1051	57.16	1125	67.73	1255	89.34	1368	110.17	1471	130.83	1566	151.46	1656	172.54	1741	193.76

CFM	OV	33" SP		34" SP		35" SP		36" SP		37" SP		38" SP		40" SP		42" SP		44" SP		46" SP			
		RPM	BHP	RPM	BHP	RPM	BHP	RPM	BHP	RPM	BHP	RPM	BHP	RPM	BHP	RPM	BHP	RPM	BHP	RPM	BHP	RPM	BHP
17712	4800	1680	132.65	1703	136.72	1727	141.10	1749	145.06	1772	149.33	1794	153.41										
19926	5400	1693	147.55	1716	152.16	1738	156.60	1760	161.11	1782	165.71	1804	170.38	1846	179.40	1888	188.70	1929	197.97	1969	207.16		
22140	6000	1712	163.55	1734	168.40	1756	173.35	1777	178.10	1798	182.93	1819	187.84	1860	197.60	1901	207.68	1940	217.41	1979	227.42		
24354	6600	1735	180.68	1756	185.72	1777	190.85	1798	196.08	1818	201.08	1839	206.50	1879	216.94	1918	227.37	1956	237.75	1994	248.45		
26568	7200	1762	199.23	1782	204.45	1803	210.11	1823	215.52	1842	220.65	1862	226.23	1901	237.28	1939	248.29	1977	259.67	2013	270.57		

MAXIMUM RPM: CLASS 22 = 1402 CLASS 32 = 1689 CLASS 45 = 2032

Performance certified is for installation type B & D: Free or ducted inlet, ducted outlet.
 Power ratings (BHP) do not include transmission losses.
 Performance ratings do not include the effects of appurtenances (accessories).

Underlined figures indicate maximum static efficiency.
 Regular face to left of Class 32 = Class 22
 Regular face in light shaded area = Class 32
 Italic face to right of Class 32 = Class 45

MHW | Size 926



Fan Efficiency Grade = FEG67

CFM	OV	1" SP		2" SP		4" SP		6" SP		8" SP		12" SP		16" SP		20" SP		24" SP		28" SP		32" SP	
		RPM	BHP	RPM	BHP	RPM	BHP	RPM	BHP	RPM	BHP	RPM	BHP	RPM	BHP	RPM	BHP	RPM	BHP	RPM	BHP	RPM	BHP
4428	1200	320	1.18	430	2.25	592	4.66	719	7.41	834	12.60	1013	20.13										
5904	1600	342	1.74	448	3.11	605	6.02	729	9.21														
7380	2000	366	2.46	469	4.14	620	7.57	741	11.23	845	15.12	1021	23.45	1171	32.54								
8856	2400	393	3.40	492	5.38	639	9.41	757	13.59	858	17.91	1032	27.22	1180	37.14	1311	47.66	1430	58.79	1539	70.39		
10332	2800	422	4.57	516	6.86	661	11.52	775	16.25	874	21.09	1045	31.36	1191	42.21	1320	53.52	1438	65.46	1546	77.79	1647	90.66
11808	3200	453	6.04	542	8.62	684	13.93	796	19.26	893	24.71	1059	35.79	1203	47.59	1332	60.02	1448	72.73	1555	85.89	1655	99.52
13284	3600	486	7.85	570	10.72	707	16.61	818	22.56	913	28.60	1077	40.92	1218	53.57	1344	66.77	1459	80.45	1565	94.49	1664	108.93
14760	4000	521	10.06	599	13.16	731	19.64	841	26.26	935	32.90	1096	46.42	1234	60.01	1358	74.06	1472	88.75	1577	103.74	1675	119.07
16236	4400	557	12.68	630	16.05	757	23.12	864	30.31	958	37.65	1116	52.26	1252	67.04	1374	82.05	1486	97.50	1590	113.46	1687	129.72
17712	4800	594	15.76	662	19.37	784	27.02	888	34.80	980	42.67	1137	58.50	1272	74.65	1392	90.74	1502	107.07	1604	123.72		
19188	5200	632	19.37	696	23.26	813	31.51	914	39.87	1004	48.34	1160	65.44	1292	82.52	1411	99.93	1520	117.44	1620	134.88		
20664	5600	671	23.57	731	27.70	842	36.41	940	45.34	1028	54.40	1182	72.68	1314	91.10	1431	109.60	1538	128.15	1638	146.95		
22140	6000	710	28.31	766	32.63	872	41.88	968	51.52	1054	61.20	1205	80.57	1336	100.14	1452	119.82	1558	139.65	1656	159.39		
23616	6400	750	33.75	803	38.35	903	47.96	996	58.17	1080	68.44	1228	88.93	1359	109.95	1474	130.72	1578	151.46	1675	172.42		
25092	6800	790	39.82	840	44.65	936	54.88	1026	65.67	1107	76.35	1253	98.21	1381	120.08	1496	142.15	1600	164.26	1696	186.40		
26568	7200	831	46.73	878	51.74	969	62.35	1056	73.73	1135	84.98	1278	108.00	1404	130.99	1518	154.20	1621	177.27				

MAXIMUM RPM: CLASS 22 = 1449 CLASS 32 = 1696



Performance Data

929

Impeller Diameter: 50.5"
Tip Speed (FPM): 13.22 x RPM

Inlet Area: 4.58 ft²
Inlet Diameter: 29" O.D.

Outlet Area: 4.62 ft²
Outlet Dimension: 24¹/₄" x 27⁵/₁₆"

MHO/R | Size 929



MHO Impeller used for Class 22.
MHR Impeller used for Class 32 and 45.

Fan Efficiency Grade = FEG71

CFM	OV	1" SP		2" SP		4" SP		6" SP		8" SP		12" SP		16" SP		20" SP		24" SP		28" SP		32" SP	
		RPM	BHP	RPM	BHP	RPM	BHP	RPM	BHP	RPM	BHP	RPM	BHP	RPM	BHP	RPM	BHP	RPM	BHP	RPM	BHP	RPM	BHP
5544	1200	277	1.46	376	2.79	525	5.71	641	8.81														
7392	1600	296	2.14	387	3.80	530	7.47	644	11.35	741	15.30	904	23.70										
9240	2000	321	3.11	405	5.09	538	9.32	649	13.96	745	18.80	906	28.50	1043	38.72								
11088	2400	348	4.34	427	6.67	552	11.53	657	16.72	750	22.23	910	33.74	1046	45.39	1166	57.35	1274	69.68	1374	82.65		
12936	2800	377	5.90	452	8.63	571	14.20	670	19.93	759	26.02	915	38.90	1050	52.36	1169	65.81	1276	79.32	1375	93.28	1468	107.82
14784	3200	408	7.86	478	10.93	592	17.18	688	23.73	772	30.29	922	44.26	1055	59.24	1173	74.49	1280	89.73	1378	104.97	1470	120.63
16632	3600	442	10.37	506	13.70	615	20.64	707	27.83	789	35.19	932	50.09	1061	66.19	1178	83.03	1284	100.05	1382	117.11	1473	134.15
18480	4000	477	13.41	535	16.93	640	24.66	729	32.52	808	40.58	947	56.86	1070	73.74	1184	91.70	1289	110.21	1386	129.00	1476	147.65
20328	4400	513	17.07	567	20.90	667	29.33	752	37.73	828	46.34	964	64.22	1083	82.21	1193	101.11	1296	120.87	1391	140.78	1481	161.33
22176	4800	550	21.41	599	25.37	694	34.46	777	43.69	851	52.97	982	72.03	1098	91.33	1204	111.10	1304	131.85	1398	153.19	1487	175.11
24024	5200	588	26.55	634	30.82	722	40.23	803	50.32	875	60.30	1002	80.53	1116	101.47	1219	122.39	1315	143.81	1406	165.96	1493	188.90
25872	5600	626	32.42	669	36.94	752	46.91	830	57.67	900	68.37	1024	89.90	1135	112.21	1236	134.57	1329	156.93	1418	180.25	1502	203.87
27720	6000	665	39.25	705	43.96	782	54.19	858	65.82	926	77.23	1047	100.06	1155	123.56	1254	147.41	1345	171.04	1431	195.12	1513	219.74
29568	6400	704	46.95	741	51.79	814	62.54	886	74.62	953	86.97	1071	111.15	1176	135.64	1273	160.94	1363	186.26	1447	211.49	1527	237.15
31416	6800	743	55.58	778	60.68	847	71.89	915	84.33	980	97.37	1096	123.20	1199	149.00	1293	175.20	1382	202.29	1464	228.66	1542	255.32
33264	7200	782	65.18	816	70.76	881	82.31	945	95.03	1008	108.77	1121	135.91	1222	163.06	1315	190.79	1401	218.68	1482	246.69	1559	274.84

CFM	OV	33" SP		34" SP		35" SP		36" SP		37" SP		38" SP		40" SP		42" SP		44" SP		46" SP	
		RPM	BHP	RPM	BHP	RPM	BHP	RPM	BHP	RPM	BHP	RPM	BHP	RPM	BHP	RPM	BHP	RPM	BHP	RPM	BHP
13860	3000	1491	117.91	1512	121.55	1534	125.53	1555	129.37	1576	133.30	1596	137.08	1637	145.19	1676	153.14				
16632	3600	1494	138.19	1516	142.61	1537	146.84	1558	151.18	1578	155.32	1599	159.85	1639	168.60	1677	177.10	1715	185.96	1752	194.85
19404	4200	1500	159.43	1522	164.55	1543	169.46	1563	174.12	1584	179.21	1604	184.06	1643	193.69	1682	203.67	1719	213.29	1756	223.24
22176	4800	1508	180.47	1529	185.95	1550	191.57	1570	196.92	1591	202.77	1611	208.36	1650	219.45	1688	230.50	1725	241.47	1761	252.36
24948	5400	1518	202.18	1539	208.31	1559	214.16	1579	220.13	1599	226.23	1619	232.44	1658	244.78	1695	256.70	1732	269.03	1768	281.33
27720	6000	1533	226.02	1553	232.41	1573	238.94	1592	245.12	1611	251.42	1630	257.84	1668	271.03	1705	284.20	1741	297.31	1777	310.86
30492	6600	1554	252.94	1572	259.08	1591	265.82	1610	272.70	1628	279.18	1647	286.30	1683	299.85	1718	313.30	1753	327.18	1788	341.51
33264	7200	1578	282.08	1596	288.90	1614	295.85	1632	302.91	1650	310.09	1668	317.39	1703	331.77	1737	346.01	1770	360.08	1803	374.58

MAXIMUM RPM: CLASS 22 = 1286 CLASS 32 = 1513 CLASS 45 = 1815

MHA | Size 929



Fan Efficiency Grade = FEG80

CFM	OV	1" SP		2" SP		4" SP		6" SP		8" SP		12" SP		16" SP		20" SP		24" SP		28" SP		32" SP	
		RPM	BHP	RPM	BHP	RPM	BHP	RPM	BHP	RPM	BHP	RPM	BHP	RPM	BHP	RPM	BHP	RPM	BHP	RPM	BHP	RPM	BHP
5544	1200	276	1.29	375	2.58																		
7392	1600	297	1.86	387	3.42	528	6.90																
9240	2000	321	2.57	405	4.45	537	8.48	647	12.90														
11088	2400	347	3.42	427	5.68	552	10.30	656	15.27	747	20.44												
12936	2800	375	4.48	452	7.15	571	12.41	669	17.84	757	23.64	912	35.97										
14784	3200	404	5.78	478	8.80	592	14.76	687	20.86	771	27.17	919	40.48	1051	54.72								
16632	3600	435	7.39	505	10.69	616	17.50	707	24.17	788	31.07	931	45.48	1058	60.80	1173	76.58						
18480	4000	466	9.24	533	12.91	641	20.50	729	27.86	807	35.30	945	50.77	1068	67.13	1180	84.16	1284	101.72				
20328	4400	498	11.43	562	15.48	667	23.78	753	31.98	829	40.11	962	56.61	1081	73.95	1190	92.08	1291	110.76	1385	129.66	1475	149.09
22176	4800	531	14.01	592	18.44	693	27.28	778	36.46	852	45.30	982	63.11	1097	81.45	1202	100.34	1301	120.25	1393	140.39	1480	160.89
24024	5200	565	17.02	622	21.70	721	31.35	803	41.14	876	50.90	1002	69.81	1114	89.26	1217	109.41	1313	130.17	1403	151.43	1488	173.06
25872	5600	600	20.54	654	25.54	749	35.81	829	46.20	900	56.74	1024	77.18	1134	97.96	1234	119.10	1327	140.71	1415	162.97	1498	185.61
27720	6000	635	24.50	686	29.78	777	40.66	856	51.77	926	63.18	1047	85.06	1154	106.89	1252	129.23	1343	151.96	1429	175.25	1510	198.78
29568	6400	670	28.92	718	34.44	806	46.06	883	57.76	952	69.90	1072	93.74	1176	116.66	1272	140.18	1361	164.02	1444	187.96	1524	212.77
31416	6800	706	33.99	751	39.70	836	52.06	911	64.42	978	76.98	1096	102.48	1199	127.08	1292	151.41	1380	176.65	1461	201.55	1539	227.28
33264	7200	742	39.61	785	45.64	866	58.50	939	71.55	1005	84.75	1121	111.76	1223	138.16	1314	163.66	1400	189.93	1480	216.17	1556	242.77

CFM	OV	33" SP		34" SP		35" SP		36" SP		37" SP		38" SP		40" SP		42" SP		44" SP		46" SP		
		RPM	BHP	RPM	BHP	RPM	BHP	RPM	BHP	RPM	BHP	RPM	BHP	RPM	BHP	RPM	BHP	RPM	BHP	RPM	BHP	
22176	4800	1501	166.03	1522	171.28	1543	176.61	1563	181.68	1583	186.83	1603	192.07									
24948	5400	1513	184.83	1533	190.40	1553	196.08	1573	201.86	1593	207.75	1612	213.35	1650	224.83	1687	236.25	1724	248.02	1760	259.64	
27720	6000	1530	204.87	1549	210.69	1569	217.03	1588	223.06	1607	229.21	1625	235.04	1662	247.42	1698	259.75	1734	272.46	1769	285.07	
30492	6600	1550	226.10	1569	232.51	1588	239.04	1606	245.24	1625	252.02	1643	258.45	1679	271.64	1714	284.77	1748	297.80	1782	311.22	
33264	7200	1574	249.25	1593	256.33	1611	263.05	1628	269.39	1646	276.32	1664	283.37	1699	297.29	1733	311.11	1766	324.82	1799	338.95	

MAXIMUM RPM: CLASS 22 = 1253 CLASS 32 = 1509 CLASS 45 = 1815

Performance certified is for installation type B & D: Free or ducted inlet, ducted outlet.
Power ratings (BHP) do not include transmission losses.
Performance ratings do not include the effects of appurtenances (accessories).

Underlined figures indicate maximum static efficiency.
Regular face to left of Class 32 = Class 22
Regular face in light shaded area = Class 32
Italic face to right of Class 32 = Class 45

MHW | Size 929



Fan Efficiency Grade = FEG67

CFM	OV	1" SP		2" SP		4" SP		6" SP		8" SP		12" SP		16" SP		20" SP		24" SP		28" SP		32" SP	
		RPM	BHP	RPM	BHP	RPM	BHP	RPM	BHP	RPM	BHP	RPM	BHP	RPM	BHP	RPM	BHP	RPM	BHP	RPM	BHP	RPM	BHP
5544	1200	286	1.48	384	2.81	529	5.84	642	9.26														
7392	1600	306	2.18	400	3.89	540	7.51	651	11.50	745	15.76	905	25.19										
9240	2000	327	3.08	419	5.18	554	9.47	662	14.05	755	18.93	913	29.42	1046	40.70								
11088	2400	351	4.25	439	6.71	571	11.78	676	16.98	767	22.45	922	34.07	1054	46.45	1171	59.61	1277	73.48	1375	88.10		
12936	2800	377	5.72	461	8.58	590	14.38	693	20.39	781	26.41	934	39.29	1064	52.81	1180	67.09	1285	81.98	1381	97.32	1472	113.60
14784	3200	405	7.58	484	10.77	611	17.42	711	24.09	798	30.94	947	44.91	1075	59.60	1190	75.11	1294	91.10	1389	107.43	1479	124.65
16632	3600	434	9.81	509	13.40	631	20.73	731	28.26	816	35.83	962	51.18	1088	67.00	1201	83.62	1304	100.80	1399	118.46	1487	136.43
18480	4000	465	12.55	536	16.55	653	24.57	751	32.82	835	41.12	979	58.07	1103	75.21	1214	92.86	1315	111.04	1409	129.86	1497	149.17
20328	4400	498	15.90	563	20.10	677	29.02	772	37.95	856	47.13	997	65.40	1119	84.00	1228	102.79	1328	122.14	1421	142.14	1508	162.61
22176	4800	531	19.77	592	24.31	701	33.90	794	43.66	876	53.49	1016	73.26	1136	93.33	1244	113.66	1342	134.02	1433	154.82		
24024	5200	565	24.30	622	29.14	726	39.38	816	49.80	897	60.50	1036	81.81	1155	103.46	1261	125.18	1358	146.99	1448	169.04		
25872	5600	599	29.43	653	34.66	752	45.52	840	56.79	919	68.22	1056	90.95	1174	114.03	1278	137.01	1375	160.71	1463	183.76		
27720	6000	635	35.55	685	40.96	779	52.40	865	64.52	941	76.43	1077	100.96	1194	125.45	1297	149.88	1392	174.80	1480	199.68		
29568	6400	670	42.23	718	48.12	807	60.08	890	72.84	965	85.69	1098	111.57	1214	137.56	1317	163.64	1410	189.63	1497	216.02		
31416	6800	706	49.89	751	56.01	836	68.63	916	82.02	989	95.55	1119	122.77	1234	150.35	1337	178.09	1429	205.38	1515	233.17		
33264	7200	742	58.39	785	64.91	866	78.12	943	92.15	1014	106.35	1142	135.24	1255	164.19	1357	193.33	1449	222.22				

MAXIMUM RPM: CLASS 22 = 1295 CLASS 32 = 1515

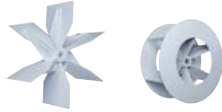


Performance Data

933

**Impeller Diameter: 57.5"
Tip Speed (FPM): 15.05 x RPM****Inlet Area: 5.94 ft²
Inlet Diameter: 33" O.D.****Outlet Area: 5.99 ft²
Outlet Dimension: 27⁵/₈" x 31¹/₈"**

MHO/R | Size 933



MHO Impeller used for Class 22.
MHR Impeller used for Class 32 and 45.

Fan Efficiency Grade = FEG71

CFM	OV	1" SP		2" SP		4" SP		6" SP		8" SP		12" SP		16" SP		20" SP		24" SP		28" SP		32" SP	
		RPM	BHP	RPM	BHP	RPM	BHP	RPM	BHP	RPM	BHP	RPM	BHP	RPM	BHP	RPM	BHP	RPM	BHP	RPM	BHP	RPM	BHP
7188	1200	243	1.88	330	3.61	461	7.40	563	11.42	651	19.86	794	30.73										
9584	1600	260	2.78	340	4.94	465	9.66	566	14.74														
11980	2000	282	4.03	356	6.62	472	12.05	570	18.10	654	24.34	796	36.99	916	50.20								
14376	2400	306	5.64	375	8.64	485	14.97	577	21.68	659	28.86	799	43.70	919	58.91	1024	74.34	1119	90.37	1207	107.23		
16772	2800	331	7.64	397	11.19	501	18.35	589	25.91	666	33.64	804	50.51	922	67.85	1026	85.15	1121	102.94	1208	121.05	1289	139.69
19168	3200	358	10.16	420	14.19	520	22.29	604	30.73	678	39.26	810	57.44	926	76.67	1030	96.52	1124	116.28	1210	136.01	1291	156.38
21564	3600	388	13.42	444	17.72	540	26.74	621	36.09	693	45.63	819	65.06	932	85.87	1035	107.77	1128	129.82	1213	151.56	1293	173.65
23960	4000	419	17.40	470	21.97	562	31.95	640	42.11	709	52.46	831	73.54	940	95.68	1040	118.94	1132	142.86	1217	167.14	1297	191.74
26356	4400	451	22.19	498	27.10	586	38.06	660	48.82	728	60.28	846	83.08	951	106.53	1048	131.18	1138	156.62	1222	182.68	1301	209.30
28752	4800	483	27.75	527	33.07	610	44.78	682	56.55	747	68.57	863	93.57	965	118.66	1058	144.27	1145	170.84	1228	198.71	1306	227.04
31148	5200	516	34.34	557	39.99	634	52.14	705	65.17	768	78.03	880	104.40	980	131.50	1071	158.85	1155	186.49	1235	215.27	1312	245.34
33544	5600	550	42.08	587	47.75	660	60.69	729	74.78	790	88.49	899	116.42	997	145.56	1085	174.22	1167	203.35	1245	233.49	1319	264.23
35940	6000	584	50.88	619	56.95	687	70.31	753	85.15	813	100.03	919	129.51	1014	160.01	1101	190.94	1182	222.17	1257	253.10	1329	285.03
38336	6400	618	60.78	651	67.21	715	81.12	778	96.69	837	112.76	940	143.82	1033	175.94	1118	208.64	1197	241.45	1271	274.30	1341	307.39
40732	6800	653	72.21	684	78.92	744	93.24	803	109.08	861	126.37	962	159.44	1053	193.16	1136	227.39	1213	261.79	1286	296.62	1355	331.55
43128	7200	687	84.58	717	91.87	774	106.82	830	123.22	885	140.88	985	176.46	1073	211.27	1155	247.42	1231	283.91	1302	320.14	1370	356.95

CFM	OV	33" SP		34" SP		35" SP		36" SP		37" SP		38" SP		40" SP		42" SP		44" SP		46" SP		
		RPM	BHP	RPM	BHP	RPM	BHP	RPM	BHP	RPM	BHP	RPM	BHP	RPM	BHP	RPM	BHP	RPM	BHP	RPM	BHP	
17970	3000	1309	152.70	1328	157.62	1347	162.66	1366	167.84	1384	172.78	1402	177.84	1437	187.96	1472	198.56					
21564	3600	1312	179.11	1331	184.70	1350	190.43	1368	195.86	1386	201.42	1404	207.10	1439	218.38	1473	229.69	1507	241.48	1539	252.76	
25158	4200	1318	206.99	1336	213.01	1355	219.63	1373	225.89	1391	232.27	1409	238.78	1443	251.13	1477	263.94	1510	276.68	1542	289.32	
28752	4800	1324	233.76	1343	241.17	1361	248.20	1379	255.38	1397	262.72	1415	270.20	1449	284.44	1482	298.54	1515	313.08	1547	327.43	
32346	5400	1333	262.01	1352	270.30	1369	277.54	1387	285.55	1405	293.72	1422	301.42	1456	317.27	1489	333.04	1521	348.71	1553	364.91	
35940	6000	1347	293.44	1364	301.36	1381	309.44	1398	317.68	1415	326.06	1432	334.60	1465	351.44	1497	368.15	1529	385.42	1560	402.51	
39534	6600	1364	327.35	1381	336.17	1398	345.15	1414	353.55	1430	362.11	1446	370.81	1478	388.67	1509	406.32	1540	424.55	1570	442.49	
43128	7200	1386	365.80	1402	374.80	1418	383.96	1434	393.28	1449	401.92	1465	411.55	1495	429.56	1525	448.13	1555	467.29	1584	486.11	

MAXIMUM RPM: CLASS 22 = 1129 CLASS 32 = 1329 CLASS 45 = 1594

MHA | Size 933

**Fan Efficiency Grade = FEG80**

CFM	OV	1" SP		2" SP		4" SP		6" SP		8" SP		12" SP		16" SP		20" SP		24" SP		28" SP		32" SP	
		RPM	BHP	RPM	BHP	RPM	BHP	RPM	BHP	RPM	BHP	RPM	BHP	RPM	BHP	RPM	BHP	RPM	BHP	RPM	BHP	RPM	BHP
7188	1200	243	1.68	329	3.33																		
9584	1600	261	2.42	339	4.41	464	8.96																
11980	2000	282	3.33	356	5.78	472	11.02	568	16.71														
14376	2400	305	4.44	375	7.36	485	13.37	576	19.78	656	26.50												
16772	2800	330	5.84	397	9.28	501	16.04	588	23.18	665	30.68	801	46.64										
19168	3200	355	7.51	420	11.43	520	19.14	603	27.00	677	35.21	808	52.66	923	70.94								
21564	3600	382	9.57	444	13.91	541	22.69	621	31.35	692	40.27	818	59.04	929	78.78	1030	99.24						
23960	4000	409	11.96	468	16.73	563	26.59	640	36.07	709	45.82	830	65.84	938	87.04	1036	109.00	1127	131.64				
26356	4400	438	14.88	494	20.12	586	30.86	661	41.40	728	51.99	845	73.42	950	96.05	1045	119.33	1134	143.66	1217	168.36	1295	193.11
28752	4800	467	18.23	520	23.91	609	35.43	683	47.21	748	58.67	862	81.69	963	105.45	1056	130.22	1142	155.65	1223	181.83	1300	208.68
31148	5200	497	22.17	547	28.25	633	40.60	705	53.28	769	65.90	880	90.50	979	115.94	1069	141.91	1153	168.69	1232	196.23	1307	224.44
33544	5600	527	26.63	574	33.04	657	46.25	728	59.88	791	73.72	899	99.94	996	127.02	1083	154.09	1165	182.21	1243	211.43	1316	240.84
35940	6000	558	31.81	602	38.51	682	52.62	752	67.17	813	81.82	920	110.44	1014	138.78	1100	167.73	1179	196.76	1255	227.19	1326	257.62
38336	6400	589	37.61	631	44.73	708	59.74	776	75.03	836	90.58	941	121.34	1033	151.33	1117	181.67	1195	212.49	1268	243.57	1338	275.56
40732	6800	620	44.06	660	51.57	734	67.43	800	83.49	859	99.82	963	133.03	1053	164.73	1135	196.45	1212	229.03	1283	261.23	1352	294.89
43128	7200	652	51.43	689	59.05	761	75.97	825	92.87	883	110.01	985	145.10	1074	179.07	1154	212.17	1229	245.91	1300	280.38	1366	314.35

CFM	OV	33" SP		34" SP		35" SP		36" SP		37" SP		38" SP		40" SP		42" SP		44" SP		46" SP		
		RPM	BHP	RPM	BHP	RPM	BHP	RPM	BHP	RPM	BHP	RPM	BHP	RPM	BHP	RPM	BHP	RPM	BHP	RPM	BHP	
28752	4800	1318	215.13	1337	222.21	1355	228.90	1373	235.70	1391	242.61	1408	249.09									
32346	5400	1329	239.73	1347	247.20	1364	254.25	1382	262.00	1399	269.31	1416	276.76	1449	291.41	1482	306.54	1514	321.48	1546	336.80	
35940	6000	1344	265.78	1361	273.50	1378	281.38	1394	288.79	1411	296.95	1427	304.62	1460	321.00	1492	337.25	1523	353.31	1553	369.14	
39534	6600	1361	292.94	1378	301.45	1395	310.13	1411	318.30	1427	326.62	1443	335.09	1474	351.75	1505	368.96	1535	385.96	1565	403.45	
43128	7200	1383	323.58	1399	332.28	1415	341.13	1430	349.39	1446	358.54	1461	367.07	1492	385.31	1522	403.33	1551	421.12	1580	439.45	

MAXIMUM RPM: CLASS 22 = 1100 CLASS 32 = 1325 CLASS 45 = 1594

Performance certified is for installation type B & D: Free or ducted inlet, ducted outlet.
Power ratings (BHP) do not include transmission losses.
Performance ratings do not include the effects of appurtenances (accessories).

Underlined figures indicate maximum static efficiency.
Regular face to left of Class 32 = Class 22
Regular face in light shaded area = Class 32
Italic face to right of Class 32 = Class 45

MHW | Size 933



Fan Efficiency Grade = FEG67

CFM	OV	1" SP		2" SP		4" SP		6" SP		8" SP		12" SP		16" SP		20" SP		24" SP		28" SP		32" SP	
		RPM	BHP	RPM	BHP	RPM	BHP	RPM	BHP	RPM	BHP	RPM	BHP	RPM	BHP	RPM	BHP	RPM	BHP	RPM	BHP	RPM	BHP
4428	1200	320	1.18	430	2.25	592	4.66	719	7.41	834	12.60	1013	20.13										
5904	1600	342	1.74	448	3.11	605	6.02	729	9.21	845	15.12	1021	23.45	1171	32.54								
7380	2000	366	2.46	469	4.14	620	7.57	741	11.23	845	15.12	1021	23.45	1171	32.54								
8856	2400	393	3.40	492	5.38	639	9.41	757	13.59	858	17.91	1032	27.22	1180	37.14	1311	47.66	1430	58.79	1539	70.39		
10332	2800	422	4.57	516	6.86	661	11.52	775	16.25	874	21.09	1045	31.36	1191	42.21	1320	53.52	1438	65.46	1546	77.79	1647	90.66
11808	3200	453	6.04	542	8.62	684	13.93	796	19.26	893	24.71	1059	35.79	1203	47.59	1332	60.02	1448	72.73	1555	85.89	1655	99.52
13284	3600	486	7.85	570	10.72	707	16.61	818	22.56	913	28.60	1077	40.92	1218	53.57	1344	66.77	1459	80.45	1565	94.49	1664	108.93
14760	4000	521	10.06	599	13.16	731	19.64	841	26.26	935	32.90	1096	46.42	1234	60.01	1358	74.06	1472	88.75	1577	103.74	1675	119.07
16236	4400	557	12.68	630	16.05	757	23.12	864	30.31	958	37.65	1116	52.26	1252	67.04	1374	82.05	1486	97.50	1590	113.46	1687	129.72
17712	4800	594	15.76	662	19.37	784	27.02	888	34.80	980	42.67	1137	58.50	1272	74.65	1392	90.74	1502	107.07	1604	123.72		
19188	5200	632	19.37	696	23.26	813	31.51	914	39.87	1004	48.34	1160	65.44	1292	82.52	1411	99.93	1520	117.44	1620	134.88		
20664	5600	671	23.57	731	27.70	842	36.41	940	45.34	1028	54.40	1182	72.68	1314	91.10	1431	109.60	1538	128.15	1638	146.95		
22140	6000	710	28.31	766	32.63	872	41.88	968	51.52	1054	61.20	1205	80.57	1336	100.14	1452	119.82	1558	139.65	1656	159.39		
23616	6400	750	33.75	803	38.35	903	47.96	996	58.17	1080	68.44	1228	88.93	1359	109.95	1474	130.72	1578	151.46	1675	172.42		
25092	6800	790	39.82	840	44.65	936	54.88	1026	65.67	1107	76.35	1253	98.21	1381	120.08	1496	142.15	1600	164.26	1696	186.40		
26568	7200	831	46.73	878	51.74	969	62.35	1056	73.73	1135	84.98	1278	108.00	1404	130.99	1518	154.20	1621	177.27				

MAXIMUM RPM: CLASS 22 = 1449 CLASS 32 = 1696



Performance Data

937

Impeller Diameter: 64.375"
Tip Speed (FPM): 16.85 x RPM

Inlet Area: 7.46 ft²
Inlet Diameter: 37" O.D.

Outlet Area: 7.51 ft²
Outlet Dimension: 31" x 34¹³/₁₆"



MHO/R | Size 937

MHO Impeller used for Class 22.
MHR Impeller used for Class 32 and 45.

Fan Efficiency Grade = FEG71

CFM	OV	1" SP		2" SP		4" SP		6" SP		8" SP		12" SP		16" SP		20" SP		24" SP		28" SP		32" SP	
		RPM	BHP	RPM	BHP	RPM	BHP	RPM	BHP	RPM	BHP	RPM	BHP	RPM	BHP	RPM	BHP	RPM	BHP	RPM	BHP	RPM	BHP
9012	1200	217	2.36	295	4.54	412	9.29	503	14.33														
12016	1600	233	3.52	304	6.21	416	12.17	505	18.42	581	24.84	710	38.65										
15020	2000	252	5.06	318	8.30	422	15.15	509	22.67	584	30.49	711	46.38	819	63.12								
18024	2400	273	7.05	335	10.84	433	18.75	515	27.12	589	36.26	714	54.87	820	73.62	915	93.32	1000	113.46	1078	134.40		
21028	2800	295	9.51	354	13.95	448	23.08	526	32.47	595	42.20	718	63.29	824	85.21	917	106.95	1001	128.94	1079	151.76	1151	174.97
24032	3200	320	12.76	375	17.77	464	27.86	539	38.42	605	49.08	723	71.86	828	96.43	920	121.00	1004	145.79	1081	170.63	1153	195.99
27036	3600	347	16.89	397	22.28	483	33.66	555	45.32	619	57.21	731	81.38	833	107.86	924	134.91	1007	162.50	1084	190.29	1155	217.76
30040	4000	374	21.76	420	27.58	502	40.06	572	52.89	634	66.00	743	92.47	840	120.12	929	149.14	1011	179.05	1087	209.52	1158	240.08
33044	4400	403	27.85	445	34.01	523	47.60	590	61.35	650	75.48	756	104.29	849	133.35	936	164.41	1016	196.08	1092	229.34	1162	262.36
36048	4800	432	34.93	470	41.26	545	56.18	610	71.18	668	86.26	771	117.37	862	148.79	945	180.87	1023	214.35	1097	249.21	1166	284.25
39052	5200	461	43.07	497	49.97	567	65.60	630	81.81	686	97.83	786	130.87	876	165.23	956	198.76	1032	234.03	1103	269.79	1172	307.67
42056	5600	491	52.66	525	60.10	590	76.27	651	93.68	706	111.11	803	145.95	890	182.16	970	219.00	1043	255.40	1112	292.69	1178	331.15
45060	6000	522	63.91	553	71.43	614	88.30	673	106.95	726	125.30	821	162.44	906	200.78	984	239.80	1055	277.92	1123	317.50	1187	357.27
48064	6400	552	76.19	582	84.47	639	101.86	695	121.25	748	141.57	840	180.55	923	220.80	999	261.88	1069	302.55	1135	343.64	1198	385.57
51068	6800	583	90.38	611	98.95	665	117.12	718	137.17	769	158.38	860	200.39	940	241.73	1015	285.34	1084	328.68	1149	372.19	1210	415.36
54072	7200	614	106.20	640	114.93	692	134.29	741	154.24	791	176.95	880	221.36	959	265.35	1031	309.58	1099	355.40	1163	401.39	1223	446.74

CFM	OV	33" SP		34" SP		35" SP		36" SP		37" SP		38" SP		40" SP		42" SP		44" SP		46" SP	
		RPM	BHP	RPM	BHP	RPM	BHP	RPM	BHP	RPM	BHP	RPM	BHP	RPM	BHP	RPM	BHP	RPM	BHP	RPM	BHP
22530	3000	1169	191.34	1186	197.51	1203	203.85	1220	210.36	1236	216.51	1252	222.81	1284	235.89	1315	249.04				
27036	3600	1172	224.62	1189	231.65	1206	238.85	1222	245.62	1238	252.53	1254	259.60	1285	273.58	1316	288.17	1346	302.70	1375	317.13
31542	4200	1177	259.34	1194	267.50	1210	275.15	1226	282.94	1242	290.88	1258	298.99	1289	314.92	1319	330.71	1349	347.08	1377	362.47
36048	4800	1183	293.36	1200	302.67	1216	311.43	1232	320.38	1248	329.52	1263	338.05	1294	356.40	1324	374.52	1353	392.33	1382	410.69
40554	5400	1191	328.78	1207	338.35	1223	348.12	1239	358.10	1255	368.27	1270	377.77	1300	397.29	1330	417.55	1359	437.59	1387	457.34
45060	6000	1203	367.75	1218	377.51	1234	388.40	1249	398.55	1264	408.89	1279	419.42	1308	440.06	1337	461.41	1366	483.52	1394	505.28
49566	6600	1219	411.07	1234	421.94	1248	431.98	1263	443.25	1277	453.66	1292	465.33	1320	487.10	1348	509.58	1376	532.77	1403	555.54
54072	7200	1238	458.60	1252	469.56	1267	481.85	1281	493.21	1295	504.74	1308	515.30	1336	539.31	1362	561.65	1389	585.91	1415	609.64

MAXIMUM RPM: CLASS 22 = 1009 CLASS 32 = 1187 CLASS 45 = 1424



MHA | Size 937

Fan Efficiency Grade = FEG80

CFM	OV	1" SP		2" SP		4" SP		6" SP		8" SP		12" SP		16" SP		20" SP		24" SP		28" SP		32" SP	
		RPM	BHP	RPM	BHP	RPM	BHP	RPM	BHP	RPM	BHP	RPM	BHP	RPM	BHP	RPM	BHP	RPM	BHP	RPM	BHP	RPM	BHP
9012	1200	217	2.10	294	4.18																		
12016	1600	233	3.02	303	5.53	414	11.20																
15020	2000	252	4.18	318	7.24	421	13.75	507	20.90														
18024	2400	273	5.60	335	9.23	433	16.74	514	24.73	586	33.23												
21028	2800	294	7.27	355	11.67	448	20.18	525	29.03	594	38.46	715	58.36										
24032	3200	317	9.40	375	14.31	465	24.08	539	33.92	605	44.20	721	65.82	824	88.80								
27036	3600	341	11.98	396	17.36	483	28.40	555	39.37	618	50.46	730	73.82	830	98.84	920	124.41						
30040	4000	366	15.07	418	20.97	503	33.35	572	45.31	633	57.36	742	82.75	838	109.18	926	136.94	1007	165.22				
33044	4400	391	18.62	441	25.18	523	38.59	591	52.06	650	65.09	755	92.13	848	120.18	934	149.89	1013	180.16	1087	211.04	1157	242.29
36048	4800	417	22.84	464	29.88	544	44.42	610	59.16	668	73.51	770	102.43	860	132.12	943	163.13	1020	195.11	1093	228.34	1161	261.49
39052	5200	444	27.81	488	35.29	565	50.78	630	66.88	687	82.65	786	113.44	874	145.13	955	177.99	1030	211.56	1100	245.72	1167	281.07
42056	5600	471	33.44	513	41.49	587	58.03	651	75.32	706	92.20	803	125.29	890	159.43	968	193.56	1041	228.70	1110	264.87	1175	301.58
45060	6000	498	39.78	538	48.35	610	66.23	672	84.32	726	102.49	822	138.57	906	174.14	982	209.93	1053	246.60	1121	284.83	1185	323.45
48064	6400	526	47.11	564	56.19	633	75.10	693	94.00	747	113.68	841	152.38	923	189.90	998	227.94	1067	266.09	1133	305.69	1195	345.36
51068	6800	554	55.28	589	64.47	656	84.67	715	104.85	767	125.00	860	166.67	941	206.81	1014	246.42	1082	286.67	1146	327.49	1207	369.12
54072	7200	582	64.34	616	74.23	680	95.34	737	116.47	789	138.06	880	182.00	959	224.26	1031	266.15	1098	308.48	1161	351.32	1221	394.93

CFM	OV	33" SP		34" SP		35" SP		36" SP		37" SP		38" SP		40" SP		42" SP		44" SP		46" SP			
		RPM	BHP	RPM	BHP	RPM	BHP	RPM	BHP	RPM	BHP	RPM	BHP	RPM	BHP	RPM	BHP	RPM	BHP	RPM	BHP		
36048	4800	1178	270.23	1194	278.43	1210	286.76	1226	295.23	1242	303.82	1258	312.56										
40554	5400	1187	300.49	1203	309.79	1218	318.49	1234	328.13	1249	337.15	1264	346.31	1294	365.12	1324	384.53	1352	402.75	1381	422.33		
45060	6000	1200	332.80	1215	342.32	1231	352.89	1246	362.80	1260	371.99	1275	382.23	1304	402.35	1332	422.16	1360	442.59	1387	462.63		
49566	6600	1216	367.56	1231	378.06	1246	388.77	1260	398.75	1275	409.86	1289	420.20	1317	441.39	1344	462.26	1371	483.77	1398	505.94		
54072	7200	1235	405.36	1249	415.97	1264	427.78	1278	438.75	1291	448.87	1305	460.19	1332	482.31	1359	505.13	1385	527.53	1411	550.60		

MAXIMUM RPM: CLASS 22 = 983 CLASS 32 = 1184 CLASS 45 = 1424

Performance certified is for installation type B & D: Free or ducted inlet, ducted outlet.
Power ratings (BHP) do not include transmission losses.
Performance ratings do not include the effects of appurtenances (accessories).

Underlined figures indicate maximum static efficiency.
Regular face to left of Class 32 = Class 22
Regular face in light shaded area = Class 32
Italic face to right of Class 32 = Class 45

MHW | Size 937



Fan Efficiency Grade = FEG67

CFM	OV	1" SP		2" SP		4" SP		6" SP		8" SP		12" SP		16" SP		20" SP		24" SP		28" SP		32" SP	
		RPM	BHP	RPM	BHP	RPM	BHP	RPM	BHP	RPM	BHP	RPM	BHP	RPM	BHP	RPM	BHP	RPM	BHP	RPM	BHP	RPM	BHP
9012	1200	224	2.39	302	4.60	415	9.49	504	15.09														
12016	1600	240	3.55	314	6.33	424	12.24	511	18.73	585	25.69	710	40.95										
15020	2000	257	5.03	329	8.44	435	15.44	520	22.92	592	30.72	716	47.78	821	66.26								
18024	2400	275	6.88	345	10.96	448	19.15	531	27.71	602	36.55	723	55.31	827	75.55	919	97.01	1002	119.51	1079	143.33		
21028	2800	296	9.33	362	13.99	463	23.40	544	33.21	613	42.99	732	63.68	835	85.94	925	108.81	1008	133.22	1084	158.46	1155	184.76
24032	3200	317	12.23	380	17.55	479	28.26	558	39.20	626	50.30	743	73.04	844	97.12	933	121.88	1015	148.03	1090	174.80	1160	202.48
27036	3600	341	16.01	400	21.89	495	33.69	574	46.06	640	58.20	755	83.29	853	108.72	942	135.85	1023	163.87	1097	192.29	1167	222.03
30040	4000	365	20.43	420	26.80	513	40.11	589	53.31	655	66.83	768	94.38	865	122.13	952	150.77	1032	180.71	1106	211.46	1174	242.25
33044	4400	390	25.71	442	32.75	531	47.15	606	61.80	671	76.43	782	106.25	878	136.61	963	166.91	1042	198.64	1115	231.20	1183	264.32
36048	4800	417	32.23	464	39.41	550	55.13	623	71.00	687	86.86	797	119.07	891	151.61	976	184.81	1053	217.99	1124	251.55		
39052	5200	443	39.43	488	47.37	570	64.16	641	81.27	704	98.47	813	133.11	906	168.13	989	203.33	1065	238.70	1136	274.82		
42056	5600	470	47.86	512	56.24	590	74.02	659	92.32	721	110.91	829	148.15	921	185.36	1003	223.00	1078	260.75	1148	298.93		
45060	6000	498	57.72	537	66.43	611	85.13	679	105.08	739	124.63	845	164.17	937	204.13	1018	243.99	1092	284.13	1161	324.55		
48064	6400	526	68.79	563	78.09	633	97.62	698	118.30	757	139.26	861	181.13	952	223.34	1033	265.86	1106	308.13	1174	350.80		
51068	6800	554	81.14	589	90.96	656	111.63	719	133.55	776	155.39	878	199.67	968	244.35	1049	289.60	1121	333.80				
54072	7200	582	94.85	616	105.58	679	126.76	740	149.93	796	173.20	896	219.92	984	266.45	1064	313.76	1137	361.48				

MAXIMUM RPM: CLASS 22 = 1015 CLASS 32 = 1188



Performance Data

941

Impeller Diameter: 71.25"
Tip Speed (FPM): 18.65 x RPM

Inlet Area: 9.16 ft²
Inlet Diameter: 41" O.D.

Outlet Area: 9.20 ft²
Outlet Dimension: 34⁵/₁₆" x 38⁹/₁₆"

MHO/R | Size 941



MHO Impeller used for Class 22.
MHR Impeller used for Class 32 and 45.

Fan Efficiency Grade = FEG71

CFM	OV	1" SP		2" SP		4" SP		6" SP		8" SP		12" SP		16" SP		20" SP		24" SP		28" SP		32" SP	
		RPM	BHP	RPM	BHP	RPM	BHP	RPM	BHP	RPM	BHP	RPM	BHP	RPM	BHP	RPM	BHP	RPM	BHP	RPM	BHP	RPM	BHP
11040	1200	196	2.88	<u>267</u>	<u>5.59</u>	372	11.36	454	17.50														
14720	1600	210	4.28	<u>274</u>	<u>7.55</u>	376	14.92	456	22.52	525	30.43	641	47.24										
18400	2000	227	6.14	287	10.13	<u>381</u>	<u>18.51</u>	460	<u>27.79</u>	528	37.43	642	56.71	740	77.33								
22080	2400	247	8.67	303	13.32	392	23.10	466	33.37	532	44.37	645	67.18	741	90.24	826	114.02	903	138.76	<u>974</u>	<u>164.65</u>		
25760	2800	267	11.71	320	17.12	405	28.32	475	39.71	<u>538</u>	<u>51.81</u>	<u>649</u>	<u>77.63</u>	744	104.18	828	130.77	905	158.27	975	185.98	1040	214.38
29440	3200	289	15.61	339	21.80	420	34.32	487	47.07	547	60.25	<u>654</u>	<u>88.34</u>	<u>748</u>	<u>118.07</u>	831	148.11	907	178.53	977	209.22	1042	240.27
33120	3600	313	20.59	359	27.36	436	41.12	501	55.37	559	69.98	<u>661</u>	<u>99.94</u>	<u>752</u>	<u>131.80</u>	835	165.36	910	199.17	979	232.83	1044	267.10
36800	4000	338	26.68	379	33.66	454	49.22	517	64.86	573	80.92	671	113.12	759	147.18	839	182.47	914	219.74	983	257.37	1047	294.72
40480	4400	364	34.09	402	41.65	473	58.48	533	75.12	587	92.33	683	127.73	768	163.94	<u>845</u>	<u>200.92</u>	918	<u>240.23</u>	<u>986</u>	<u>280.41</u>	1050	321.51
44160	4800	390	42.69	425	50.67	492	68.65	551	87.13	603	105.38	696	143.41	779	182.39	854	221.71	924	<u>262.34</u>	991	305.16	1054	348.72
47840	5200	417	52.95	449	61.20	512	80.23	569	100.10	620	119.96	711	160.89	791	202.05	864	243.70	932	286.31	<u>997</u>	<u>330.93</u>	<u>1058</u>	<u>375.93</u>
51520	5600	444	64.68	474	73.46	533	93.39	589	115.23	638	136.19	726	179.15	804	223.05	876	267.91	942	312.51	1005	358.86	<u>1065</u>	<u>406.43</u>
55200	6000	471	77.97	500	87.69	555	108.31	608	130.97	656	153.54	742	199.16	819	246.34	889	293.71	954	341.31	1014	388.22	1073	438.32
58880	6400	499	93.48	526	103.57	577	124.56	628	148.58	675	172.79	759	221.22	834	270.54	902	320.16	966	370.80	1026	421.61	1082	471.81
62560	6800	527	110.88	552	121.18	601	143.59	648	167.48	695	194.19	777	245.46	850	296.86	917	349.47	979	402.14	1038	455.76	1093	508.48
66240	7200	555	130.27	579	141.34	625	164.32	670	189.37	715	217.06	795	271.08	866	324.53	932	379.83	993	435.43	1051	492.03	1105	547.27

CFM	OV	33" SP		34" SP		35" SP		36" SP		37" SP		38" SP		40" SP		42" SP		44" SP		46" SP		
		RPM	BHP	RPM	BHP	RPM	BHP	RPM	BHP	RPM	BHP	RPM	BHP	RPM	BHP	RPM	BHP	RPM	BHP	RPM	BHP	
27600	3000	1056	234.26	<u>1072</u>	<u>242.25</u>	<u>1087</u>	<u>249.78</u>	<u>1102</u>	<u>257.49</u>	<u>1117</u>	<u>265.41</u>	<u>1131</u>	<u>272.81</u>	<u>1160</u>	<u>288.90</u>	<u>1188</u>	<u>305.00</u>					
33120	3600	1059	275.23	<u>1074</u>	<u>283.57</u>	<u>1089</u>	<u>292.09</u>	<u>1104</u>	<u>300.81</u>	<u>1119</u>	<u>309.74</u>	<u>1133</u>	<u>318.02</u>	<u>1161</u>	<u>335.14</u>	<u>1189</u>	<u>353.00</u>					
38640	4200	1063	317.31	1079	327.89	1093	336.84	1108	346.89	1123	357.15	1137	366.64	1165	386.16	1192	405.40	1219	425.35	1245	444.96	
44160	4800	1069	359.52	<u>1084</u>	<u>370.57</u>	<u>1099</u>	<u>381.87</u>	<u>1113</u>	<u>392.35</u>	<u>1127</u>	<u>403.05</u>	<u>1142</u>	<u>415.06</u>	<u>1169</u>	<u>436.44</u>	<u>1196</u>	<u>458.50</u>	<u>1223</u>	<u>481.27</u>	<u>1248</u>	<u>502.33</u>	
49680	5400	<u>1076</u>	<u>402.68</u>	<u>1091</u>	<u>415.02</u>	<u>1105</u>	<u>426.47</u>	<u>1119</u>	<u>438.15</u>	<u>1134</u>	<u>451.25</u>	<u>1147</u>	<u>462.22</u>	<u>1175</u>	<u>487.23</u>	<u>1202</u>	<u>511.94</u>	<u>1228</u>	<u>536.23</u>	<u>1253</u>	<u>560.03</u>	
55200	6000	<u>1087</u>	<u>450.59</u>	<u>1101</u>	<u>463.12</u>	<u>1115</u>	<u>475.89</u>	<u>1128</u>	<u>487.61</u>	<u>1142</u>	<u>500.86</u>	<u>1156</u>	<u>514.35</u>	<u>1182</u>	<u>539.37</u>	<u>1208</u>	<u>565.26</u>	<u>1234</u>	<u>592.05</u>	<u>1259</u>	<u>618.25</u>	
60720	6600	1101	503.05	1115	516.99	1128	529.78	1141	542.80	1154	556.06	1167	569.56	1193	597.25	1218	624.36	1243	652.32	1267	679.54	
66240	7200	1118	560.98	1131	574.94	1144	589.13	1157	603.58	1170	618.27	1182	631.60	1207	660.55	1231	688.74	1255	717.80	1278	746.00	

MAXIMUM RPM: CLASS 22 = 911 CLASS 32 = 1072 CLASS 45 = 1286

MHA | Size 941



Fan Efficiency Grade = FEG80

CFM	OV	1" SP		2" SP		4" SP		6" SP		8" SP		12" SP		16" SP		20" SP		24" SP		28" SP		32" SP	
		RPM	BHP	RPM	BHP	RPM	BHP	RPM	BHP	RPM	BHP	RPM	BHP	RPM	BHP	RPM	BHP	RPM	BHP	RPM	BHP	RPM	BHP
11040	1200	196	2.57	266	5.15																		
14720	1600	210	3.68	<u>274</u>	<u>6.80</u>	374	13.71																
18400	2000	228	5.15	287	8.85	<u>381</u>	<u>16.93</u>	458	25.59														
22080	2400	246	6.80	303	11.34	391	20.48	465	30.41	530	40.83												
25760	2800	266	8.94	320	14.19	405	24.76	474	35.49	<u>537</u>	<u>47.20</u>	646	71.49										
29440	3200	287	11.59	339	17.56	420	29.47	487	41.55	<u>546</u>	<u>53.96</u>	652	80.85	745	109.00								
33120	3600	308	14.66	358	21.30	437	34.93	501	48.10	558	61.69	660	90.61	<u>750</u>	<u>121.12</u>	831	152.28						
36800	4000	330	18.35	378	25.75	454	40.73	517	55.56	572	70.30	670	101.19	757	133.68	836	167.36	910	202.51				
40480	4400	353	22.76	398	30.75	473	47.41	534	63.78	587	79.63	682	112.78	<u>766</u>	<u>147.13</u>	<u>843</u>	<u>183.05</u>	<u>915</u>	<u>220.52</u>	982	258.44	1045	296.50
44160	4800	377	28.03	420	36.81	491	54.25	551	72.42	604	90.25	696	125.64	777	161.84	<u>852</u>	<u>199.83</u>	<u>922</u>	<u>239.34</u>	<u>987</u>	<u>279.26</u>	1049	320.36
47840	5200	401	34.03	441	43.25	511	62.40	569	81.84	621	101.39	710	138.88	790	178.01	863	218.16	931	259.49	994	301.14	1055	344.91
51520	5600	425	40.81	463	50.66	531	71.34	588	92.18	638	113.01	726	153.79	804	195.21	874	236.63	940	279.67	1003	324.58	<u>1062</u>	<u>369.83</u>
55200	6000	450	48.74	486	59.20	551	81.07	607	103.21	656	125.59	742	169.28	818	212.87	888	257.83	952	302.68	1013	349.10	1070	395.51
58880	6400	475	57.62	509	68.59	572	92.04	627	115.08	675	139.31	760	186.77	834	232.68	902	279.51	964	325.92	1024	374.82	<u>1080</u>	<u>423.44</u>
62560	6800	501	67.91	533	79.35	593	103.88	646	128.43	693	153.14	777	204.16	850	253.16	916	301.71	978	351.60	1036	401.86	1091	452.75
66240	7200	526	78.89	556	90.66	614	116.58	666	142.75	712	168.50	795	222.88	867	275.23	931	325.50	992	377.83	1049	430.41	1103	483.54

CFM	OV	33" SP		34" SP		35" SP		36" SP		37" SP		38" SP		40" SP		42" SP		44" SP		46" SP			
		RPM	BHP	RPM	BHP	RPM	BHP	RPM	BHP	RPM	BHP	RPM	BHP	RPM	BHP	RPM	BHP	RPM	BHP	RPM	BHP		
44160	4800	1064	330.72	<u>1079</u>	<u>341.28</u>	<u>1094</u>	<u>352.01</u>	<u>1108</u>	<u>361.95</u>	<u>1122</u>	<u>372.03</u>	<u>1136</u>	<u>382.27</u>										
49680	5400	<u>1073</u>	<u>368.66</u>	<u>1087</u>	<u>379.58</u>	<u>1101</u>	<u>390.71</u>	<u>1115</u>	<u>402.04</u>	<u>1129</u>	<u>413.59</u>	<u>1142</u>	<u>424.21</u>	1169	447.12	1196	470.77	1222	493.94	1247	516.44		
55200	6000	<u>1084</u>	<u>407.45</u>	<u>1098</u>	<u>419.62</u>	<u>1112</u>	<u>432.05</u>	<u>1125</u>	<u>443.52</u>	<u>1139</u>	<u>456.40</u>	<u>1152</u>	<u>468.29</u>	<u>1178</u>	<u>492.66</u>	<u>1204</u>	<u>517.85</u>	<u>1229</u>	<u>542.49</u>	<u>1254</u>	<u>567.87</u>		
60720	6600	<u>1099</u>	<u>450.67</u>	<u>1112</u>	<u>462.86</u>	<u>1126</u>	<u>476.54</u>	<u>1139</u>	<u>489.21</u>	<u>1152</u>	<u>502.12</u>	<u>1165</u>	<u>515.24</u>	<u>1190</u>	<u>540.82</u>	<u>1215</u>	<u>567.24</u>	<u>1239</u>	<u>593.04</u>	<u>1263</u>	<u>619.63</u>		
66240	7200	<u>1116</u>	<u>496.79</u>	<u>1129</</u>																			

MHW | Size 941



Fan Efficiency Grade = FEG67

CFM	OV	1" SP		2" SP		4" SP		6" SP		8" SP		12" SP		16" SP		20" SP		24" SP		28" SP		32" SP	
		RPM	BHP	RPM	BHP	RPM	BHP	RPM	BHP	RPM	BHP	RPM	BHP	RPM	BHP	RPM	BHP	RPM	BHP	RPM	BHP	RPM	BHP
11040	1200	203	2.96	272	5.58	375	11.64	455	18.44	528	31.37	642	50.28										
14720	1600	217	4.36	284	7.78	383	14.99	461	22.85	535	37.66	647	58.56	742	81.25								
18400	2000	232	6.15	297	10.31	393	18.91	469	27.93	535	37.66	647	58.56	742	81.25								
22080	2400	249	8.48	311	13.34	405	23.50	479	33.79	544	44.79	654	67.99	747	92.48	830	118.70	905	146.25	975	175.65		
25760	2800	267	11.37	327	17.12	419	28.80	491	40.56	554	52.71	662	78.24	754	105.10	836	133.42	911	163.34	979	193.87		
29440	3200	287	15.08	343	21.43	433	34.67	504	47.98	566	61.74	671	89.35	762	118.71	843	149.33	917	181.30	985	214.24		
33120	3600	308	19.60	361	26.72	448	41.48	518	56.22	578	71.21	682	101.97	771	133.34	851	166.36	924	200.55	991	235.45		
36800	4000	330	25.08	380	32.97	463	48.97	533	65.62	592	81.95	694	115.67	782	149.88	860	184.60	932	221.07	999	258.82		
40480	4400	353	31.67	399	40.01	480	57.84	547	75.49	606	93.52	707	130.41	793	167.18	870	204.41	941	242.99	1007	282.88		
44160	4800	376	39.24	419	48.20	497	67.56	563	87.03	621	106.55	720	145.80	805	185.71	882	226.53	951	266.72	1016	308.57		
47840	5200	400	48.20	441	58.07	515	78.60	579	99.48	636	120.59	734	162.70	818	205.53	894	249.45	962	292.20				
51520	5600	425	58.78	463	69.08	533	90.63	596	113.42	651	135.60	749	181.48	832	226.97	906	272.98	974	319.43				
55200	6000	450	70.73	485	81.28	552	104.26	613	128.42	667	152.21	763	200.75	846	249.54	919	298.15	987	348.46				
58880	6400	475	84.13	509	95.85	572	119.63	631	145.16	684	170.63	778	221.95	860	273.46	933	325.35	1000	378.29				
62560	6800	500	99.08	532	111.32	593	136.96	650	163.88	701	190.26	793	244.34	875	299.74	947	353.89	1013	409.12				
66240	7200	526	116.29	556	128.95	614	155.68	669	184.00	719	212.01	809	268.86	889	326.35	962	385.16						

MAXIMUM RPM: CLASS 22 = 917 CLASS 32 = 1024



Performance Data

945

Impeller Diameter: 78.25"
Tip Speed (FPM): 20.49 x RPM

Inlet Area: 11.04 ft²
Inlet Diameter: 45" O.D.

Outlet Area: 11.10 ft²
Outlet Dimension: 37¹¹/₁₆" x 42³/₈"

MHO/R | Size 945



MHO Impeller used for Class 22.
MHR Impeller used for Class 32.

Fan Efficiency Grade = FEG71

CFM	OV	1" SP		2" SP		4" SP		6" SP		8" SP		12" SP		16" SP		20" SP		24" SP		28" SP		32" SP	
		RPM	BHP	RPM	BHP	RPM	BHP	RPM	BHP	RPM	BHP	RPM	BHP	RPM	BHP	RPM	BHP	RPM	BHP	RPM	BHP	RPM	BHP
13320	1200	179	3.51	243	6.74	339	13.74	414	21.21														
17760	1600	191	5.15	250	9.16	342	17.94	416	27.33	478	36.71	584	57.10										
22200	2000	207	7.44	261	12.18	347	22.35	419	33.57	481	45.23	585	68.57	673	92.97								
26640	2400	225	10.47	276	16.09	357	27.89	424	40.17	484	53.40	587	80.93	675	109.01	752	137.50	822	167.27	887	198.72		
31080	2800	243	14.11	291	20.57	368	33.96	433	48.08	490	62.56	591	93.68	678	126.00	754	157.82	824	190.92	888	224.54	947	258.67
35520	3200	263	18.80	309	26.38	382	41.26	444	57.00	498	72.66	595	106.31	681	142.40	757	178.93	826	215.50	889	251.91	948	289.15
39960	3600	285	24.84	327	33.04	397	49.61	456	66.72	509	84.43	602	120.65	685	159.20	760	199.26	829	240.65	892	281.44	950	321.63
44400	4000	308	32.26	346	40.93	413	59.21	470	77.87	521	97.21	611	136.49	691	177.48	764	220.18	832	264.88	895	310.44	953	355.20
48840	4400	331	40.95	366	50.22	431	70.70	485	90.45	535	111.70	622	154.17	699	197.53	770	242.95	836	289.95	898	338.53	956	387.80
53280	4800	355	51.44	387	61.13	448	82.82	502	105.29	549	127.09	634	173.22	709	219.75	777	266.86	842	317.24	902	367.73	959	419.78
57720	5200	380	64.02	409	73.91	466	96.66	518	120.69	565	145.07	647	193.74	720	243.51	787	294.33	849	345.87	908	399.50	964	454.45
62160	5600	404	77.85	432	88.86	485	112.43	536	138.77	581	164.35	661	216.07	733	270.10	798	323.65	858	377.37	915	432.81	969	489.23
66600	6000	429	94.14	455	105.58	505	130.38	554	158.33	598	185.85	676	240.66	745	296.31	809	353.71	868	410.83	924	469.43		
71040	6400	454	112.49	479	124.97	526	150.78	572	179.40	615	208.84	691	266.76	759	325.87	822	387.22	880	447.97	934	508.29		
75480	6800	480	133.86	503	146.51	547	172.99	591	203.02	633	234.45	707	295.50	774	358.18	835	421.64	892	486.09	945	549.58		
79920	7200	505	156.80	527	170.28	569	198.12	610	228.37	651	261.80	724	327.17	789	392.20	849	458.83	904	525.00	957	593.61		

MAXIMUM RPM: CLASS 22 = 837 CLASS 32 = 976

MHA | Size 945



Fan Efficiency Grade = FEG80

CFM	OV	1" SP		2" SP		4" SP		6" SP		8" SP		12" SP		16" SP		20" SP		24" SP		28" SP		32" SP	
		RPM	BHP	RPM	BHP	RPM	BHP	RPM	BHP	RPM	BHP	RPM	BHP	RPM	BHP	RPM	BHP	RPM	BHP	RPM	BHP	RPM	BHP
13320	1200	178	3.08	242	6.19																		
17760	1600	192	4.49	249	8.15	341	16.61																
22200	2000	207	6.15	261	10.63	347	20.44	417	30.87														
26640	2400	224	8.21	276	13.70	356	24.70	423	36.58	482	49.08												
31080	2800	242	10.76	292	17.23	368	29.68	432	42.93	489	56.95	588	86.15										
35520	3200	261	13.93	309	21.24	382	35.43	443	49.98	498	65.43	593	97.20	678	131.30								
39960	3600	281	17.79	326	25.70	398	42.17	456	57.95	508	74.39	601	109.34	683	146.18	757	183.96						
44400	4000	301	22.25	344	31.01	414	49.36	471	67.13	521	84.89	610	122.03	689	161.07	762	202.53	828	243.78				
48840	4400	322	27.60	363	37.27	430	56.91	486	76.83	535	96.33	621	136.06	698	177.89	768	221.18	833	265.89	894	311.63	952	358.25
53280	4800	343	33.72	382	44.25	448	65.84	502	87.51	550	108.89	634	151.75	708	195.67	776	241.27	839	288.20	899	337.24	955	386.29
57720	5200	365	41.00	402	52.35	465	75.13	518	98.66	565	122.02	647	167.93	719	214.44	785	262.38	847	312.26	905	363.19	960	415.29
62160	5600	387	49.23	422	61.29	483	85.79	535	110.94	581	136.38	661	185.48	732	235.42	796	285.66	856	337.49	913	391.22	967	446.17
66600	6000	410	58.90	443	71.63	502	97.95	553	124.70	598	152.01	676	204.55	745	256.97	808	310.39	867	365.34	922	420.62		
71040	6400	433	69.74	464	83.02	521	111.13	570	138.81	614	167.53	692	225.29	759	280.25	821	336.80	878	393.50	932	451.61		
75480	6800	456	81.81	485	95.52	540	125.33	588	154.76	631	184.71	708	246.81	774	305.44	834	363.89	891	424.86	943	484.28		
79920	7200	479	95.18	507	109.83	559	140.56	606	171.83	649	203.91	724	268.99	789	331.45	848	393.06	903	455.40	955	518.97		

MAXIMUM RPM: CLASS 22 = 809 CLASS 32 = 974

MHW | Size 945



Fan Efficiency Grade = FEG67

CFM	OV	1" SP		2" SP		4" SP		6" SP		8" SP		12" SP		16" SP		20" SP		24" SP		28" SP		32" SP	
		RPM	BHP	RPM	BHP	RPM	BHP	RPM	BHP	RPM	BHP	RPM	BHP	RPM	BHP	RPM	BHP	RPM	BHP	RPM	BHP	RPM	BHP
13320	1200	185	3.57	248	6.76	342	14.10	415	22.36														
17760	1600	197	5.21	258	9.32	349	18.12	420	27.61	481	37.90	584	60.48										
22200	2000	211	7.39	270	12.38	358	22.85	427	33.69	487	45.39	589	70.60	675	97.74								
26640	2400	227	10.27	284	16.23	369	28.41	436	40.72	495	53.93	595	81.82	680	111.48	756	143.34	824	176.40	888	212.05		
31080	2800	243	13.69	298	20.71	381	34.61	447	48.90	504	63.42	603	94.49	687	127.04	761	160.82	829	196.69	892	234.34	950	272.87
35520	3200	261	18.12	313	26.03	394	41.75	459	57.91	515	74.33	611	107.80	694	143.31	768	180.44	835	218.74	897	258.57	954	298.95
39960	3600	280	23.53	329	32.33	408	50.07	472	67.97	527	86.25	621	123.02	702	160.84	775	200.79	842	242.51	903	284.66	960	328.05
44400	4000	300	30.11	346	39.77	422	59.26	485	79.00	539	98.84	632	139.60	712	180.78	783	222.65	849	267.05	910	312.62	966	358.20
48840	4400	321	38.05	363	48.14	437	69.75	498	91.03	552	112.95	643	156.78	722	201.63	793	247.38	857	293.33	917	341.36	973	390.35
53280	4800	343	47.60	382	58.36	452	81.21	512	104.61	565	128.24	656	176.22	733	224.05	803	273.18	866	321.85	925	372.13		
57720	5200	365	58.52	401	69.76	469	94.86	527	119.87	579	145.40	669	196.86	745	248.12	814	300.90	876	352.59	934	405.40		
62160	5600	387	70.91	421	82.98	486	109.80	542	136.31	593	163.77	682	218.94	758	274.27	825	329.38	887	385.55	945	442.57		
66600	6000	410	85.47	442	98.31	503	126.05	558	154.78	608	184.22	695	242.45	771	301.84	837	359.95	898	419.39	955	479.44		
71040	6400	433	101.83	463	115.27	521	144.46	575	175.53	623	206.03	708	267.31	784	331.08	850	393.14	910	455.54	966	518.71		
75480	6800	456	120.88	485	134.77	540	165.26	592	197.85	639	230.29	722	294.70	797	361.98	863	427.99	923	494.55	978	560.55		
79920	7200	479	140.32	507	156.22	559	187.73	609	221.79	655	256.13	737	324.83	810	394.47	876	464.76	935	533.53				

MAXIMUM RPM: CLASS 22 = 835 CLASS 32 = 978

Performance certified is for installation type B & D: Free or ducted inlet, ducted outlet.
Power ratings (BHP) do not include transmission losses.
Performance ratings do not include the effects of appurtenances (accessories).

Underlined figures indicate maximum static efficiency.
Regular face to left of Class 32 = Class 22
Regular face in light shaded area = Class 32

949

Impeller Diameter: 85.25"
Tip Speed (FPM): 22.32 x RPM

Inlet Area: 13.09 ft²
Inlet Diameter: 49" O.D.

Outlet Area: 13.17 ft²
Outlet Dimension: 41" x 46 1/8"

MHO/R | Size 949



MHO Impeller used for Class 22.
MHR Impeller used for Class 32.

Fan Efficiency Grade = FEG71

CFM	OV	1" SP		2" SP		4" SP		6" SP		8" SP		12" SP		16" SP		20" SP		24" SP		28" SP		32" SP	
		RPM	BHP	RPM	BHP	RPM	BHP	RPM	BHP	RPM	BHP	RPM	BHP	RPM	BHP	RPM	BHP	RPM	BHP	RPM	BHP	RPM	BHP
15804	1200	164	4.14	<u>223</u>	<u>7.99</u>	311	16.28	380	25.17														
21072	1600	176	6.18	229	10.81	<u>314</u>	<u>21.31</u>	381	32.21														
26340	2000	190	8.83	240	14.53	<u>319</u>	<u>26.64</u>	<u>384</u>	<u>39.64</u>	441	53.48	537	81.38	618	110.45								
31608	2400	206	12.33	253	19.02	<u>327</u>	<u>32.88</u>	<u>389</u>	<u>47.60</u>	<u>444</u>	<u>63.25</u>	<u>539</u>	<u>96.13</u>	620	129.61	691	163.68	755	198.87	814	235.66		
36876	2800	223	16.73	267	24.39	338	40.37	397	56.86	<u>449</u>	<u>73.85</u>	<u>542</u>	<u>110.87</u>	622	149.27	692	187.19	756	226.23	815	266.35	869	306.68
42144	3200	242	22.48	283	31.10	351	49.11	407	67.37	457	86.15	<u>546</u>	<u>126.05</u>	<u>625</u>	<u>168.90</u>	695	212.45	758	255.52	816	298.90	871	344.09
47412	3600	262	29.61	300	39.15	364	58.67	419	79.42	467	100.06	<u>552</u>	<u>142.72</u>	<u>629</u>	<u>189.12</u>	698	236.84	761	285.63	818	333.02	872	381.63
52680	4000	283	38.40	317	48.30	379	70.21	432	92.79	478	115.19	561	162.10	<u>634</u>	<u>210.34</u>	<u>702</u>	<u>262.08</u>	764	314.68	821	367.67	875	421.83
57948	4400	304	48.69	336	59.63	395	83.51	446	107.93	491	132.49	571	183.01	641	233.73	<u>707</u>	<u>288.56</u>	<u>767</u>	<u>343.58</u>	<u>824</u>	<u>401.30</u>	<u>877</u>	<u>459.37</u>
63216	4800	326	61.14	355	72.41	411	98.13	460	124.31	504	150.88	582	205.61	651	261.02	713	316.39	<u>772</u>	<u>375.17</u>	<u>828</u>	<u>436.44</u>	<u>881</u>	<u>499.37</u>
68484	5200	348	75.46	375	87.43	428	114.92	476	143.70	518	171.55	594	230.04	661	289.12	722	348.70	779	409.95	<u>833</u>	<u>473.28</u>	<u>885</u>	<u>539.53</u>
73752	5600	371	92.53	396	105.03	445	133.27	492	164.69	533	194.71	607	256.75	672	319.35	732	383.30	787	446.86	840	513.81	<u>890</u>	<u>581.61</u>
79020	6000	394	111.92	418	125.63	463	154.20	508	187.32	549	220.68	620	284.91	684	351.88	743	420.44	797	488.00	848	556.77	<u>896</u>	<u>625.82</u>
84288	6400	417	133.78	439	147.64	482	178.04	525	212.86	565	248.49	634	316.16	697	387.23	754	458.57	807	530.11	857	602.48		
89556	6800	440	158.25	461	173.09	502	205.19	542	240.31	581	278.19	649	350.75	710	424.23	766	499.49	818	575.21	867	651.24		
94824	7200	464	186.67	483	201.19	522	234.75	560	271.14	597	309.83	664	387.29	724	465.00	779	543.86	830	623.50	878	703.38		

MAXIMUM RPM: CLASS 22 = 575 CLASS 32 = 896

MHA | Size 949



Fan Efficiency Grade = FEG80

CFM	OV	1" SP		2" SP		4" SP		6" SP		8" SP		12" SP		16" SP		20" SP		24" SP		28" SP		32" SP	
		RPM	BHP	RPM	BHP	RPM	BHP	RPM	BHP	RPM	BHP	RPM	BHP	RPM	BHP	RPM	BHP	RPM	BHP	RPM	BHP	RPM	BHP
15804	1200	164	3.70	222	7.34																		
21072	1600	176	5.31	229	9.73	313	19.71																
26340	2000	190	7.30	240	12.68	<u>318</u>	<u>24.14</u>	383	36.70														
31608	2400	206	9.80	253	16.19	<u>327</u>	<u>29.37</u>	<u>388</u>	<u>43.32</u>	443	58.47												
36876	2800	222	12.75	268	20.44	338	35.29	397	51.13	<u>449</u>	<u>67.65</u>	540	102.39										
42144	3200	240	16.62	283	25.04	351	42.18	407	59.48	<u>457</u>	<u>77.59</u>	<u>545</u>	<u>115.78</u>	622	155.55								
47412	3600	258	21.13	299	30.43	365	49.91	419	68.99	467	88.68	<u>552</u>	<u>129.99</u>	<u>627</u>	<u>173.52</u>	695	218.44						
52680	4000	276	26.32	316	36.89	380	58.57	432	79.49	478	100.60	<u>560</u>	<u>144.88</u>	<u>633</u>	<u>191.65</u>	<u>699</u>	<u>239.88</u>	760	289.26				
57948	4400	295	32.58	333	44.16	395	67.70	446	91.12	491	114.27	570	161.46	<u>641</u>	<u>211.41</u>	<u>705</u>	<u>262.53</u>	<u>765</u>	<u>316.00</u>	821	370.33	874	425.35
63216	4800	315	40.09	351	52.68	411	78.02	461	104.00	504	128.58	582	180.14	650	232.33	712	285.97	<u>770</u>	<u>341.85</u>	<u>825</u>	<u>399.91</u>	<u>877</u>	<u>459.03</u>
68484	5200	335	48.65	369	62.13	427	89.27	476	117.48	519	145.14	594	199.41	660	254.52	<u>721</u>	<u>311.94</u>	<u>778</u>	<u>371.31</u>	<u>831</u>	<u>431.46</u>	<u>881</u>	<u>492.50</u>
73752	5600	355	58.32	387	72.55	443	101.58	491	131.61	533	161.58	607	220.41	672	279.51	731	339.48	<u>786</u>	<u>400.93</u>	<u>838</u>	<u>464.19</u>	<u>887</u>	<u>528.38</u>
79020	6000	376	69.72	406	84.63	460	115.67	507	147.47	548	179.52	621	243.34	684	305.18	742	368.85	795	432.22	846	498.60		
84288	6400	397	82.49	426	98.61	478	131.71	523	164.55	564	199.27	635	267.14	697	333.03	753	398.75	806	467.12	855	535.01		
89556	6800	418	96.71	445	113.24	495	148.15	540	183.95	579	219.01	649	291.74	710	361.79	766	432.63	817	502.62	866	575.55		
94824	7200	440	113.23	465	130.04	513	166.72	556	203.66	595	241.14	664	318.44	724	393.00	778	465.79	829	540.71	877	616.74		

MAXIMUM RPM: CLASS 22 = 743 CLASS 32 = 894

MHW | Size 949



Fan Efficiency Grade = FEG77

CFM	OV	1" SP		2" SP		4" SP		6" SP		8" SP		12" SP		16" SP		20" SP		24" SP		28" SP		32" SP	
		RPM	BHP	RPM	BHP	RPM	BHP	RPM	BHP	RPM	BHP	RPM	BHP	RPM	BHP	RPM	BHP	RPM	BHP	RPM	BHP	RPM	BHP
15804	1200	169	4.18	<u>228</u>	<u>8.06</u>	314	16.75	381	26.54														
21072	1600	181	6.20	237	11.08	<u>320</u>	<u>21.44</u>	386	32.88	442	45.13	536	71.75										
26340	2000	194	8.82	248	14.73	328	26.96	<u>392</u>	<u>39.99</u>	447	53.86	541	83.95	620	116.23								
31608	2400	208	12.12	260	19.11	338	33.50	401	48.61	<u>454</u>	<u>63.84</u>	546	97.01	625	132.82	694	170.15	757	209.88	815	251.56		
36876	2800	223	16.24	273	24.43	350	41.17	410	57.90	463	75.44	<u>553</u>	<u>111.83</u>	630	150.33	699	191.24	761	233.47	818	277.31	872	323.81
42144	3200	240	21.62	287	30.79	362	49.68	421	68.57	473	88.36	<u>561</u>	<u>128.04</u>	<u>637</u>	<u>170.04</u>	705	214.16	766	259.12	823	306.43	876	355.15
47412	3600	257	27.92	302	38.37	374	59.18	433	80.52	483	101.89	570	145.98	<u>645</u>	<u>191.43</u>	<u>712</u>	<u>238.91</u>	<u>772</u>	<u>286.82</u>	829	337.97	881	389.04
52680	4000	276	35.98	317	46.93	387	70.13	445	93.64	495	117.47	580	165.56	653	213.99	719	264.52	779	316.54	835	370.60	887	425.50
57948	4400	295	45.32	333	57.03	401	82.70	457	107.95	507	134.28	591	186.79	663	239.57	<u>727</u>	<u>292.47</u>	<u>787</u>	<u>348.56</u>	<u>842</u>	<u>405.49</u>	<u>893</u>	<u>463.03</u>
63216	4800	315	56.57	350	68.88	415	96.45	470	124.16	519	152.52	602	208.97	673	266.08	737	324.08	795	382.06	849	441.50	900	503.04
68484	5200	335	69.44	368	82.74	430	112.19	484	142.49	531	172.09	614	233.53	684	294.66	747	356.83	804	418.27	858	482.22		
73752	5600	355	84.00	387	98.92	446	130.21	498	162.25	544	194.01	626	259.80	695	324.40	757	390.46	814	457.21	867	524.43		
79020	6000	376	101.17	406	116.92	462	149.88	512	183.48	558	218.52	638	287.78	707	357.12	768	426.68	825	499.00	877	569.73		
84288	6400	397	120.45	425	136.81	478	171.19	527	207.36	572	244.68	650	317.40	719	391.84	780	466.15	835	540.03	887	616.18		
89556	6800	418	141.95	445	159.75	495	195.33	543	234.28	586	272.54	663	350.15	731	428.56	792	507.61	847	586.42	897	663.62		
94824	7200	440	166.92	465	184.96	513	222.65	559	263.21														

Performance Data

954

Impeller Diameter: 93.75"
Tip Speed (FPM): 24.54 x RPM

Inlet Area: 15.89 ft²
Inlet Diameter: 54⁷/₈" O.D.

Outlet Area: 15.93 ft²
Outlet Dimension: 44⁷/₈" x 50¹/₂"



MHO | Size 954

Fan Efficiency Grade = FEG71

CFM	OV	1" SP		2" SP		4" SP		6" SP		8" SP		12" SP		16" SP		20" SP		24" SP		28" SP		32" SP	
		RPM	BHP	RPM	BHP	RPM	BHP	RPM	BHP	RPM	BHP	RPM	BHP	RPM	BHP	RPM	BHP	RPM	BHP	RPM	BHP	RPM	BHP
19116	1200	149	5.00	203	9.70	283	19.73	345	30.30														
25488	1600	160	7.47	208	13.03	285	25.63	347	39.15	399	52.70	487	81.72										
31860	2000	173	10.72	218	17.52	290	32.20	350	48.29	401	64.68	488	98.24	562	133.62								
38232	2400	187	14.84	230	22.98	298	40.03	354	57.71	404	76.65	490	116.18	563	156.11	628	197.65	686	239.97				
44604	2800	203	20.31	243	29.57	308	49.14	361	68.76	409	89.79	493	134.22	565	179.96	630	227.21	688	274.28				
50976	3200	220	27.17	258	37.91	319	59.30	370	81.42	416	104.53	497	152.92	568	203.93	632	256.99	689	308.69				
57348	3600	238	35.70	273	47.46	331	70.96	381	96.05	425	121.31	502	172.67	572	228.78	635	286.86	692	345.46				
63720	4000	257	46.26	288	58.26	345	85.19	393	112.37	435	139.65	510	195.91	577	255.05	638	316.47						
70092	4400	276	58.60	305	71.74	359	100.85	405	129.99	446	159.73	519	221.06	583	282.87	643	349.18						
76464	4800	296	73.61	323	87.73	374	118.94	419	151.12	458	182.13	529	248.36	592	315.75	649	383.82						
82836	5200	317	91.74	341	105.74	389	138.78	433	173.99	471	207.43	540	278.01	601	349.56	657	422.64						
89208	5600	337	111.54	360	126.93	405	161.60	447	198.67	485	235.97	552	310.59	611	386.12	666	464.37						
95580	6000	358	135.04	380	151.82	421	186.47	462	226.65	499	266.54	564	344.98	622	425.63	676	509.35						
101952	6400	379	161.54	399	178.30	439	216.36	477	256.79	513	299.18	577	383.35	634	468.77	686	555.51						
108324	6800	400	191.23	419	209.03	457	249.00	493	290.89	528	335.84	590	423.88	646	513.99								
114696	7200	422	225.86	440	244.64	475	284.51	509	327.49	543	375.00	604	468.89	658	561.50								

MAXIMUM RPM: CLASS 22 = 692



MHA | Size 954

Fan Efficiency Grade = FEG80

CFM	OV	1" SP		2" SP		4" SP		6" SP		8" SP		12" SP		16" SP		20" SP		24" SP		28" SP		32" SP	
		RPM	BHP	RPM	BHP	RPM	BHP	RPM	BHP	RPM	BHP	RPM	BHP	RPM	BHP	RPM	BHP	RPM	BHP	RPM	BHP	RPM	BHP
19116	1200	149	4.46	202	8.89																		
25488	1600	160	6.41	208	11.73	284	23.68																
31860	2000	173	8.87	218	15.29	289	29.15	348	44.29														
38232	2400	187	11.79	230	19.57	297	35.40	353	52.47	403	70.81												
44604	2800	202	15.45	244	24.82	307	42.54	361	61.83	408	81.65	491	123.81										
50976	3200	218	20.03	258	30.52	319	50.93	370	71.88	415	93.46	495	139.54	566	188.53								
57348	3600	234	25.36	272	36.85	332	60.42	381	83.43	424	106.76	502	157.26	570	209.71	632	264.22						
63720	4000	251	31.84	287	44.45	345	70.50	393	96.26	435	121.95	509	174.99	575	231.06	636	290.65						
70092	4400	269	39.73	303	53.51	359	81.75	406	110.56	446	137.75	518	194.92	582	254.53	641	317.41						
76464	4800	286	48.26	319	63.61	374	94.56	419	125.60	459	156.22	529	217.59	591	280.91	648	346.76						
82836	5200	305	59.05	335	74.78	388	107.73	433	142.24	472	175.60	540	240.99	600	307.60	656	377.93						
89208	5600	323	70.65	352	87.81	403	123.01	447	159.72	485	195.81	552	266.62	611	337.93	665	411.12						
95580	6000	342	84.39	369	102.19	419	140.60	461	178.32	499	218.01	564	293.22	622	369.14								
101952	6400	361	99.76	387	118.91	434	158.57	476	199.54	513	241.19	577	322.37	634	403.17								
108324	6800	380	116.87	405	137.30	450	179.03	491	222.42	527	265.62	591	354.35	646	438.32								
114696	7200	400	136.82	423	157.45	467	202.30	506	246.92	542	293.17	604	385.51	659	476.71								

MAXIMUM RPM: CLASS 22 = 674



MHW | Size 954

Fan Efficiency Grade = FEG67

CFM	OV	1" SP		2" SP		4" SP		6" SP		8" SP		12" SP		16" SP		20" SP		24" SP		28" SP		32" SP	
		RPM	BHP	RPM	BHP	RPM	BHP	RPM	BHP	RPM	BHP	RPM	BHP	RPM	BHP	RPM	BHP	RPM	BHP	RPM	BHP	RPM	BHP
19116	1200	154	5.09	207	9.71	285	20.15	346	31.98														
25488	1600	165	7.56	216	13.50	291	25.93	351	39.77	402	54.61	488	87.10										
31860	2000	176	10.59	226	17.93	299	32.85	357	48.59	407	65.40	492	101.56	564	140.73								
38232	2400	189	14.63	237	23.28	308	40.78	364	58.48	413	77.31	497	117.69	568	160.36	631	205.72	688	253.44				
44604	2800	203	19.71	248	29.46	318	49.66	373	70.13	421	91.23	503	135.37	573	181.94	635	230.62	692	282.37				
50976	3200	218	26.06	261	37.25	329	59.99	383	83.04	430	106.79	510	154.74	579	205.41	641	258.94						
57348	3600	234	33.90	274	46.09	340	71.52	394	97.58	440	123.90	518	176.23	586	230.92	647	288.37						
63720	4000	251	43.52	289	57.20	352	84.88	405	113.55	450	141.96	527	199.78	594	259.09	654	320.22						
70092	4400	268	54.66	303	69.11	364	99.49	416	130.97	461	162.38	537	225.40	603	289.92	662	355.22						
76464	4800	286	68.11	319	83.89	378	117.24	428	150.82	472	184.54	547	252.17	612	321.86	670	391.66						
82836	5200	304	83.46	335	100.39	391	135.67	440	172.20	483	208.33	558	281.95	622	356.41	679	431.07						
89208	5600	323	101.77	352	119.73	405	156.83	453	196.44	495	235.12	569	313.83	632	392.38	689	473.57						
95580	6000	342	122.46	369	141.19	420	181.13	466	222.51	507	263.66	580	347.79	643	432.15								
101952	6400	361	145.67	387	166.15	435	207.53	480	252.03	520	295.70	591	383.76	654	474.35								
108324	6800	380	171.53	405	193.70	450	236.06	494	283.75	533	329.87	603	423.74	665	518.99								
114696	7200	400	201.71	423	223.95	467	270.17	508	317.74	547	368.20	615	465.88	676	565.95								

MAXIMUM RPM: CLASS 22 = 696

Performance certified is for installation type B & D: Free or ducted inlet, ducted outlet.
Power ratings (BHP) do not include transmission losses.
Performance ratings do not include the effects of appurten

960

Impeller Diameter: 104.25"
Tip Speed (FPM): 27.29 x RPM

Inlet Area: 19.62 ft²
Inlet Diameter: 60³/₈" O.D.

Outlet Area: 19.70 ft²
Outlet Dimension: 50¹/₈" x 56³/₈"

MHO | Size 960



Fan Efficiency Grade = FEG71

CFM	OV	1" SP		2" SP		4" SP		6" SP		8" SP		12" SP		16" SP		20" SP		24" SP		28" SP		32" SP	
		RPM	BHP	RPM	BHP	RPM	BHP	RPM	BHP	RPM	BHP	RPM	BHP	RPM	BHP	RPM	BHP	RPM	BHP	RPM	BHP	RPM	BHP
23640	1200	134	6.18	<u>182</u>	<u>11.88</u>	254	24.26	311	37.74														
31520	1600	144	9.26	<u>187</u>	<u>16.10</u>	257	31.95	312	48.39														
39400	2000	155	13.11	196	21.65	261	39.91	<u>314</u>	<u>59.29</u>	361	80.24	439	121.62	505	164.85								
47280	2400	169	18.62	207	28.49	268	49.51	318	71.13	<u>363</u>	<u>94.54</u>	441	144.02	507	193.86	565	244.74	617	296.89				
55160	2800	182	24.88	219	36.80	277	60.78	325	85.32	<u>367</u>	<u>110.32</u>	443	165.59	509	223.74	566	280.17	618	338.03				
63040	3200	198	33.68	232	46.87	287	73.44	333	100.92	374	129.16	<u>447</u>	<u>189.18</u>	<u>511</u>	<u>252.49</u>	568	317.22	620	382.48				
70920	3600	214	44.13	245	58.33	298	88.05	343	119.16	382	149.79	452	214.33	<u>514</u>	<u>282.28</u>	<u>571</u>	<u>354.66</u>	622	426.59				
78800	4000	231	57.12	259	72.05	310	105.09	353	138.46	391	172.44	459	242.85	<u>518</u>	<u>313.79</u>	574	391.89						
86680	4400	249	73.17	275	89.41	323	124.89	364	160.48	401	197.41	467	273.85	525	351.25	<u>578</u>	<u>431.28</u>						
94560	4800	267	91.86	291	109.08	336	146.65	376	185.69	412	225.43	476	307.68	532	389.64	583	473.10						
102440	5200	285	113.35	307	131.19	350	171.88	389	214.52	424	257.32	486	344.62	541	433.56	591	523.11						
110320	5600	303	137.85	324	157.33	364	199.49	402	245.71	436	291.50	496	383.15	550	478.89	599	574.48						
118200	6000	322	167.07	342	188.19	379	231.32	416	281.35	449	330.18	507	426.12	560	528.17	607	627.05						
126080	6400	341	200.06	359	220.82	395	267.99	429	317.64	462	371.58	519	474.38	570	579.26	617	687.26						
133960	6800	360	237.03	377	258.89	411	307.98	443	358.87	475	415.77	531	525.43	581	635.81								
141840	7200	379	278.20	395	300.94	427	351.42	458	405.68	488	462.84	543	579.30	592	695.31								

MAXIMUM RPM: CLASS 22 = 622



MHA | Size 960

Fan Efficiency Grade = FEG80

CFM	OV	1" SP		2" SP		4" SP		6" SP		8" SP		12" SP		16" SP		20" SP		24" SP		28" SP		32" SP	
		RPM	BHP	RPM	BHP	RPM	BHP	RPM	BHP	RPM	BHP	RPM	BHP	RPM	BHP	RPM	BHP	RPM	BHP	RPM	BHP	RPM	BHP
23640	1200	134	5.52	<u>181</u>	<u>10.88</u>																		
31520	1600	144	7.95	<u>187</u>	<u>14.49</u>	256	29.49																
39400	2000	156	11.06	196	18.89	<u>260</u>	<u>36.09</u>	313	54.79														
47280	2400	168	14.53	207	24.26	267	43.73	318	65.23	362	87.26												
55160	2800	182	19.21	219	30.51	277	53.13	<u>324</u>	<u>76.01</u>	367	101.05	442	153.58										
63040	3200	196	24.75	232	37.74	287	63.07	333	89.10	<u>373</u>	<u>115.39</u>	<u>445</u>	<u>172.39</u>	509	233.16								
70920	3600	211	31.61	245	45.79	299	75.04	343	103.51	382	132.75	<u>451</u>	<u>193.91</u>	<u>512</u>	<u>258.44</u>	568	326.14						
78800	4000	226	39.52	258	54.91	311	87.81	353	118.61	391	150.59	<u>458</u>	<u>216.77</u>	<u>517</u>	<u>285.60</u>	572	359.54						
86680	4400	242	49.18	272	65.81	323	101.24	365	136.60	401	170.24	466	241.31	<u>524</u>	<u>315.87</u>	<u>576</u>	<u>391.62</u>						
94560	4800	258	60.24	287	78.76	336	116.58	377	155.57	413	193.50	476	269.54	531	346.44	<u>583</u>	<u>429.39</u>						
102440	5200	274	72.80	302	93.15	349	133.31	389	175.37	424	216.43	486	298.71	540	381.29	590	467.53						
110320	5600	291	87.85	317	109.05	363	152.85	402	197.53	436	241.88	496	328.90	549	416.85	598	508.33						
118200	6000	308	104.80	332	126.55	377	174.14	415	221.20	449	270.06	507	362.18	559	455.61	607	552.28						
126080	6400	325	123.77	348	147.01	391	197.15	428	246.65	461	297.61	519	398.91	570	498.18								
133960	6800	342	144.86	364	169.49	405	221.92	441	274.02	474	328.62	531	437.01	581	542.21								
141840	7200	360	169.59	380	194.09	420	250.22	455	305.25	487	361.61	543	476.28	592	587.63								

MAXIMUM RPM: CLASS 22 = 607



MHW | Size 960

Fan Efficiency Grade = FEG67

CFM	OV	1" SP		2" SP		4" SP		6" SP		8" SP		12" SP		16" SP		20" SP		24" SP		28" SP		32" SP	
		RPM	BHP	RPM	BHP	RPM	BHP	RPM	BHP	RPM	BHP	RPM	BHP	RPM	BHP	RPM	BHP	RPM	BHP	RPM	BHP	RPM	BHP
23640	1200	139	6.36	<u>186</u>	<u>11.97</u>	256	24.83	311	39.49														
31520	1600	148	9.27	194	16.63	<u>262</u>	<u>32.18</u>	315	48.88	361	67.25	439	107.82										
39400	2000	159	13.28	203	22.09	269	40.68	<u>321</u>	<u>60.07</u>	366	80.87	442	125.21	507	173.83								
47280	2400	170	18.10	213	28.74	277	50.44	328	72.76	<u>372</u>	<u>96.06</u>	447	145.60	511	198.54	567	253.80	619	313.85				
55160	2800	183	24.55	223	36.42	286	61.44	336	87.17	379	113.18	452	167.02	515	224.61	571	285.12	622	348.68				
63040	3200	196	32.20	235	46.23	296	74.29	345	103.21	387	132.37	<u>459</u>	<u>191.81</u>	<u>521</u>	<u>254.47</u>	576	319.47	627	388.70				
70920	3600	210	41.66	247	57.41	306	88.65	354	120.35	395	152.43	466	218.17	<u>527</u>	<u>285.59</u>	<u>582</u>	<u>356.90</u>						
78800	4000	225	53.31	259	70.01	317	105.41	364	140.17	405	175.98	474	247.17	534	320.09	<u>588</u>	<u>395.72</u>						
86680	4400	241	67.58	273	85.95	328	123.78	374	161.83	415	201.43	483	278.88	542	358.00	595	438.56						
94560	4800	257	84.03	287	103.88	340	145.07	385	186.66	424	227.46	492	312.01	550	397.24	603	485.49						
102440	5200	274	103.90	301	123.82	352	168.32	396	213.46	435	258.78	502	349.08	559	439.91	611	534.09						
110320	5600	291	126.53	316	147.28	365	195.21	407	242.25	445	290.47	512	388.80	569	486.91	619	583.91						
118200	6000	308	152.08	332	174.85	378	224.52	419	275.04	456	326.18	522	431.13	578	533.75								
126080	6400	325	180.72	348	205.42	391	256.27	431	310.24	468	366.55	532	475.97	588	586.21								
133960	6800	342	212.62	364	239.12	405	292.61	444	350.31	479	407.12	542	523.24	598	641.73								
141840	7200	360	250.02	380	276.07	420	334.18	457	393.35	492	455.58	553	575.94	608	700.18								

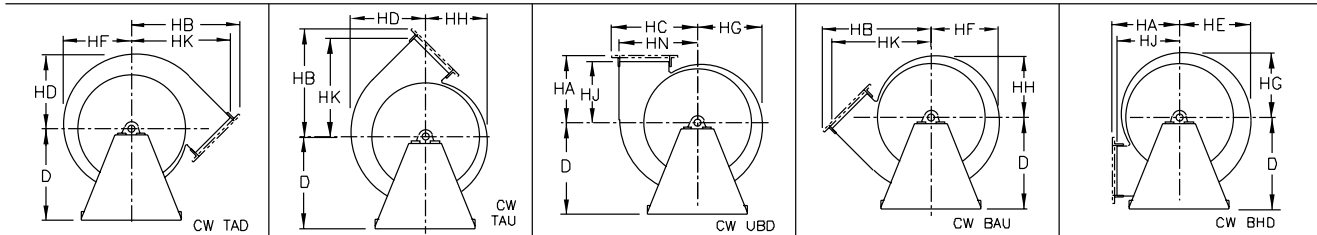
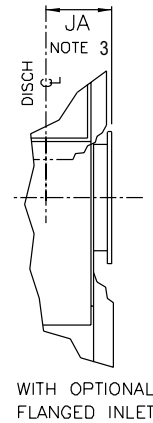
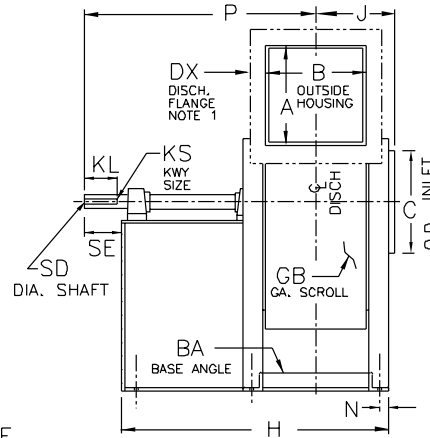
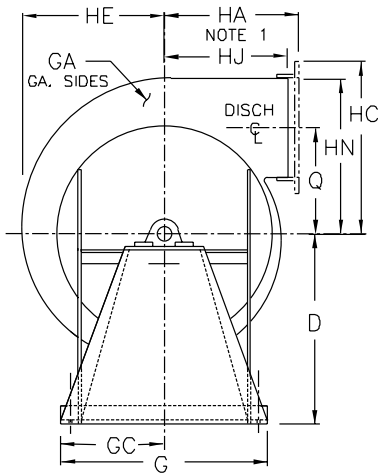
MAXIMUM RPM: CLASS 22 = 627

Performance certified is for installation type B & D: Free or ducted inlet, ducted outlet.
Power ratings (BHP) do not include transmission losses.
Performance ratings do not include the effects of appurtenances (accessories).

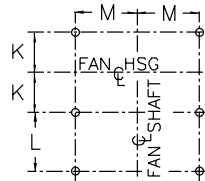
Underlined figures indicate maximum static efficiency.

Models MHO, MHA & MHW

Arr. 1: Class 22



FOUNDATION PLAN
SIX 'BH' DIA BASE HOLES



NOTES:

1. Outlet flanges are optional. Flanges are punched per drawing R1004926.
2. CW rotation is shown. CCW rotation is similar but opposite.
3. Optional flanged inlet per drawing R1004927.

FAN SIZE	A	B	BA	BH	C	D	DX	G	GA	GB	GC	H	HA
907	6.81	6.06	1.50 x 1.50	0.44	7.00	14.25	1.25	14.25	12	12	7.13	21.63	8.81
909	8.63	7.69	1.50 x 1.50	0.44	9.00	15.25	1.25	17.75	12	12	8.88	23.25	11.13
911	10.56	9.44	2.00 x 2.00	0.56	11.00	18.75	1.50	20.25	10	10	10.13	28.25	13.50
913	12.44	11.13	2.00 x 2.00	0.56	13.00	21.75	1.50	23.25	10	10	11.63	31.13	15.88
915	14.31	12.81	2.50 x 2.50	0.56	15.00	25.25	1.50	26.25	10	10	13.13	38.13	18.25
917	16.25	14.50	2.50 x 2.50	0.56	17.00	28.25	1.50	29.50	10	10	14.75	41.75	20.63
919	18.06	16.13	2.50 x 2.50	0.56	19.00	31.25	2.00	31.25	10	10	15.63	45.88	22.94

FAN SIZE	HB	HC	HD	HE	HF	HG	HH	HJ	HK	HN	J	JA	K
907	14.63	11.81	10.13	9.69	9.25	8.81	8.38	8.31	13.38	10.56	4.69	5.69	4.06
909	18.31	14.75	12.94	12.38	11.81	11.25	10.69	10.63	17.06	13.50	5.50	6.50	4.88
911	22.25	17.94	15.75	15.06	14.38	13.69	13.00	13.00	20.81	16.44	6.88	8.38	6.00
913	26.06	20.94	18.63	17.81	17.00	16.19	15.38	15.38	24.63	19.44	7.69	9.19	6.81
915	29.81	23.88	21.50	20.50	19.56	18.63	17.69	17.75	28.38	22.38	9.06	10.06	7.94
917	33.63	26.88	24.31	23.25	22.19	21.13	20.06	20.13	32.19	25.38	9.88	10.88	8.75
919	37.63	30.25	27.06	25.88	24.69	23.50	22.31	22.44	35.88	28.25	10.69	11.69	9.56

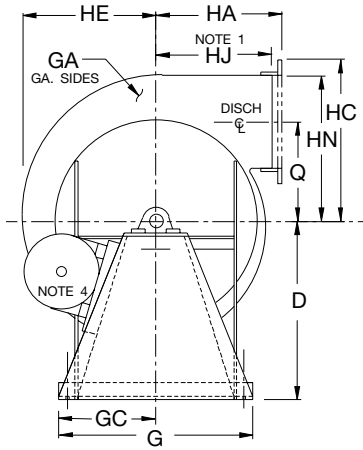
FAN SIZE	KL	KS	L	M	N	P	Q	SD	SE	IMPELLER DIAMETER
907	4.50	0.38 x 0.19	12.00	6.38	0.63	21.69	7.19	1.44	4.75	12.25
909	5.00	0.38 x 0.19	12.00	8.13	0.63	23.25	9.19	1.44	5.50	15.63
911	5.00	0.38 x 0.19	14.25	9.13	0.88	26.88	11.19	1.69	5.50	19.13
913	5.50	0.38 x 0.19	15.50	10.63	0.88	29.44	13.25	1.69	6.00	22.63
915	5.50	0.50 x 0.25	19.75	11.88	1.13	35.06	15.25	2.19	6.00	26.13
917	6.00	0.50 x 0.25	21.75	13.50	1.13	38.88	17.25	2.19	7.00	29.63
919	7.00	0.50 x 0.25	24.25	14.38	1.13	42.75	19.25	2.19	7.50	33.00

R1004901

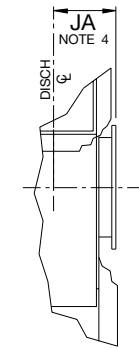
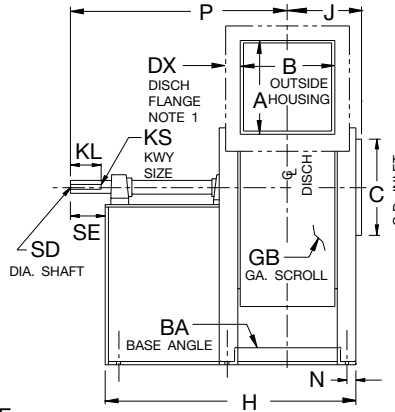
Dimensions are not to be used for construction. Certified drawings are available upon request.

Models MHO, MHA & MHW

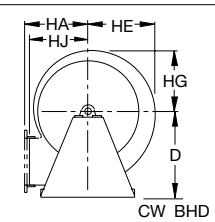
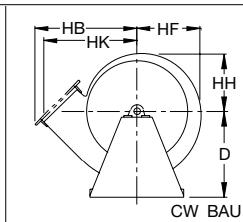
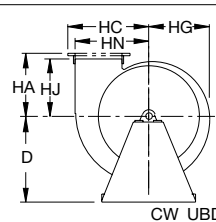
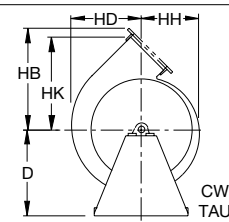
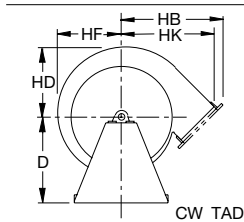
Arr. 9A & 9B: Class 22



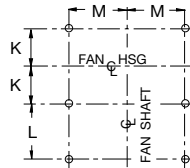
CW THD ROTATABLE



WITH OPTIONAL FLANGED INLET



FOUNDATION PLAN



SIX 'BH' DIA. BASE HOLES

NOTES:

1. Outlet flanges are optional. Flanges are punched per drawing R1004926.
2. CW rotation is shown. CCW rotation is similar but opposite.
3. Motor location is 'left' for CW rotation and 'right' for CCW rotation. Dimension 'FR' is Max. Motor Frame.
4. Optional flanged inlet per drawing R1004927.

FAN SIZE	A	B	BA	BH	C	D		DX	FR		G	GA	GB	GC
						9A	9B		9A	9B				
907	6.81	6.06	1.50 x 1.50	0.44	7.00	18.50	21.50	1.25	184T	215T	14.25	12	12	7.13
909	8.63	7.69	1.50 x 1.50	0.44	9.00	18.50	24.50	1.25	184T	256T	17.75	12	12	8.88
911	10.56	9.44	2.00 x 2.00	0.56	11.00	21.50	25.00	1.50	215T	256T	20.25	10	10	10.13
913	12.44	11.13	2.00 x 2.00	0.56	13.00	21.75	27.75	1.50	215T	286T	23.25	10	10	11.63
915	14.31	12.81	2.50 x 2.50	0.56	15.00	25.25	28.25	1.50	256T	286T	26.25	10	10	13.13
917	16.25	14.50	2.50 x 2.50	0.56	17.00	28.25	32.00	1.50	256T	326T	29.50	10	10	14.75
919	18.06	16.13	2.50 x 2.50	0.56	19.00	31.25	35.50	2.00	286T	365T	31.25	10	10	15.63

FAN SIZE	H		HA	HB	HC	HD	HE	HF	HG	HH	HJ	HK	HN	J	JA
	9A	9B													
907	24.81	28.44	8.81	14.63	11.81	10.13	9.69	9.25	8.81	8.38	8.31	13.38	10.56	4.69	5.69
909	26.44	34.94	11.13	18.31	14.75	12.94	12.38	11.81	11.25	10.69	10.63	17.06	13.50	5.50	6.50
911	32.81	37.69	13.50	22.25	17.94	15.75	15.06	14.38	13.69	13.00	13.00	20.88	16.44	6.88	8.38
913	34.50	41.75	15.88	26.06	20.94	18.63	17.81	17.00	16.19	15.38	15.38	24.63	19.44	7.69	9.19
915	42.06	44.44	18.25	29.81	23.88	21.44	20.50	19.56	18.63	17.69	17.75	28.38	22.38	9.06	10.06
917	43.75	48.63	20.63	33.63	26.88	24.31	23.25	22.19	21.13	20.06	20.13	32.19	25.38	9.88	10.88
919	47.75	51.75	22.94	37.63	30.25	27.06	25.88	24.69	23.50	22.31	22.44	35.88	28.25	10.69	11.69

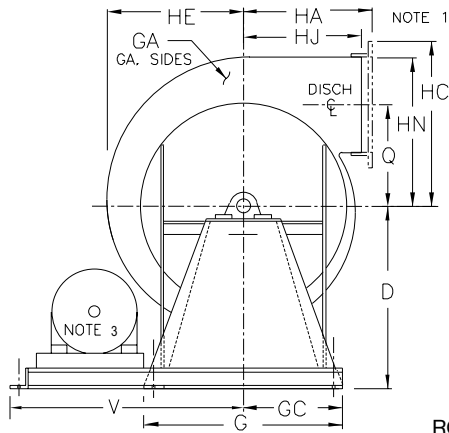
FAN SIZE	K	KL	KS	L		M	N	P		Q	SD	SE	IMPELLER DIAMETER
				9A	9B			9A	9B				
907	4.06	4.50	0.38 x 0.19	15.19	18.81	6.38	0.63	24.88	28.50	7.19	1.437	4.75	12.25
909	4.88	5.00	0.38 x 0.19	15.19	23.69	8.13	0.63	26.44	34.94	9.19	1.437	5.50	15.63
911	6.00	5.00	0.38 x 0.19	18.81	23.69	9.13	0.88	31.44	36.31	11.19	1.687	5.50	19.13
913	6.81	5.50	0.38 x 0.19	18.88	26.13	10.63	0.88	32.81	40.06	13.25	1.687	6.00	22.63
915	7.94	5.50	0.50 x 0.25	23.69	26.06	11.88	1.13	39.00	41.38	15.25	2.187	6.00	26.13
917	8.75	6.00	0.50 x 0.25	23.75	28.63	13.50	1.13	40.88	45.75	17.25	2.187	7.00	29.63
919	9.56	7.00	0.50 x 0.25	26.13	30.13	14.38	1.13	44.56	48.56	19.25	2.187	7.50	33.00

R1004902

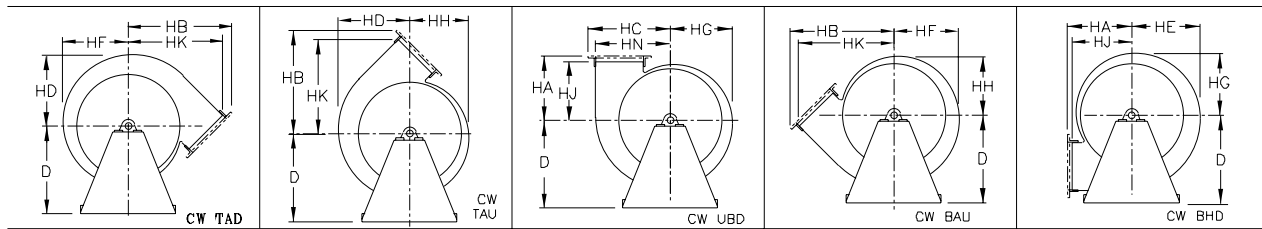
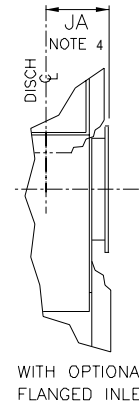
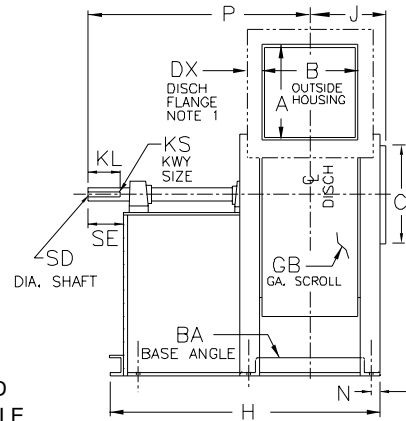
Dimensions are not to be used for construction. Certified drawings are available upon request.

Models MHO, MHA & MHW

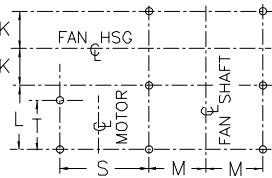
Arr. 9F: Class 22



CW THD
ROTATABLE



FOUNDATION
PLAN
MOTOR LOCATION
'L' (LEFT) SHOWN
EIGHT 'BH' DIA
BASE HOLES



NOTES:

1. Outlet flanges are optional. Flanges are punched per drawing R1004926.
2. CW rotation is shown. CCW rotation is similar but opposite.
3. Standard Arrangement 9F motor location is 'left' for CW rotation and 'right' for CCW rotation (unless otherwise specified). Dimension 'FR' is Max. Motor Frame.
4. Optional flanged inlet per drawing R1004927.

FAN SIZE	A	B	BA	BH	C	D	DX	FR	G	GA	GB	GC	H	HA
907	6.81	6.06	1.50 x 1.50	0.44	7.00	14.25	1.25	215T	14.25	12	12	7.13	28.63	8.81
909	8.63	7.69	1.50 x 1.50	0.44	9.00	15.25	1.25	256T	17.75	12	12	8.88	35.63	11.13
911	10.56	9.44	2.00 x 2.00	0.56	11.00	18.75	1.50	284T	20.25	10	10	10.13	38.13	13.50
913	12.44	11.13	2.00 x 2.00	0.56	13.00	21.75	1.50	324T	23.25	10	10	11.63	41.31	15.88
915	14.31	12.81	2.50 x 2.50	0.56	15.00	25.25	1.50	324T	26.25	10	10	13.13	45.06	18.25
917	16.25	14.50	2.50 x 2.50	0.56	17.00	28.25	1.50	326T	29.50	10	10	14.75	49.19	20.63
919	18.06	16.13	2.50 x 2.50	0.56	19.00	31.25	2.00	365T	31.25	10	10	15.63	51.56	22.94

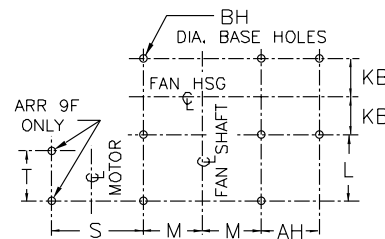
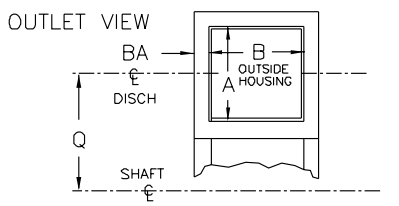
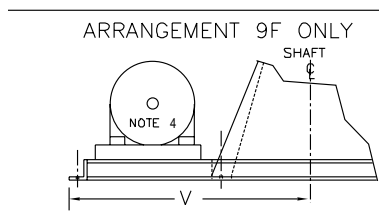
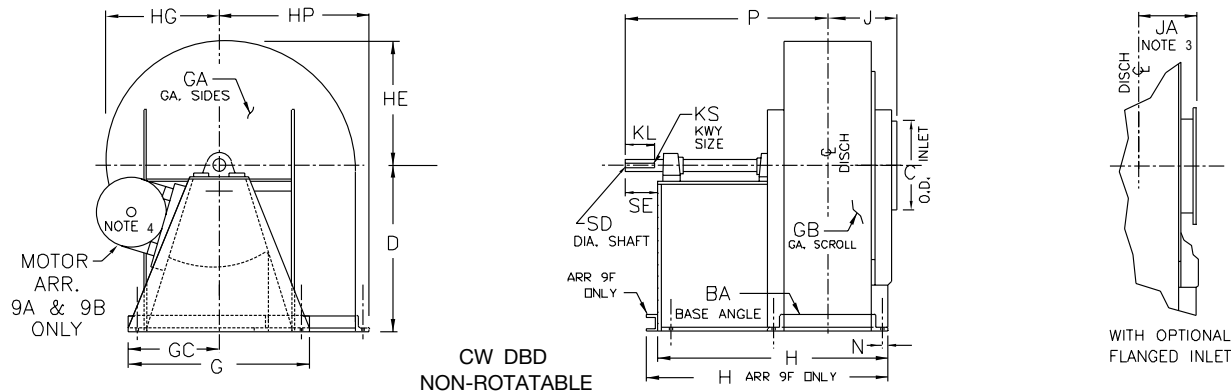
FAN SIZE	HB	HC	HD	HE	HF	HG	HH	HJ	HK	HN	J	JA	K
907	14.63	11.81	10.13	9.69	9.25	8.81	8.38	8.31	13.38	10.56	4.69	5.69	4.06
909	18.31	14.75	12.94	12.38	11.81	11.25	10.69	10.63	17.06	13.50	5.50	6.50	4.88
911	22.25	17.94	15.75	15.06	14.38	13.69	13.00	13.00	20.81	16.44	6.88	8.38	6.00
913	26.06	20.94	18.63	17.81	17.00	16.19	15.38	15.38	24.63	19.44	7.69	9.19	6.81
915	29.81	23.88	21.50	20.50	19.56	18.63	17.69	17.75	28.38	22.38	9.06	10.06	7.94
917	33.63	26.88	24.31	23.25	22.19	21.13	20.06	20.13	32.19	25.38	9.88	10.88	8.75
919	37.63	30.25	27.06	25.88	24.69	23.50	22.31	22.44	35.88	28.25	10.69	11.69	9.56

FAN SIZE	KL	KS	L	M	N	P	Q	S	SD	SE	T	V	IMPELLER DIAMETER
907	4.50	0.38 x 0.19	17.00	6.38	0.63	26.69	7.19	25.25	1.44	4.75	15.00	32.50	12.25
909	5.00	0.38 x 0.19	21.88	8.13	0.63	33.13	9.19	28.50	1.44	5.50	19.88	37.75	15.63
911	5.00	0.38 x 0.19	21.63	9.13	0.88	34.25	11.19	30.13	1.69	5.50	19.38	40.38	19.13
913	5.50	0.38 x 0.19	24.25	10.63	0.88	38.19	13.25	33.06	1.69	6.00	22.00	45.06	22.63
915	5.50	0.50 x 0.25	25.25	11.88	1.13	40.56	15.25	33.31	2.19	6.00	22.75	46.56	26.13
917	6.00	0.50 x 0.25	27.75	13.50	1.13	44.88	17.25	33.31	2.19	7.00	25.25	48.19	29.63
919	7.00	0.50 x 0.25	28.50	14.38	1.13	47.00	19.25	37.44	2.19	7.50	26.00	53.19	33.00

R1004903

Dimensions are not to be used for construction. Certified drawings are available upon request.

Models MHO, MHA & MHW Arr. 1, 9A, 9B & 9F: Class 22



FOUNDATION PLAN
MOTOR LOCATION 'L' (LEFT) SHOWN

NOTES:

1. 'DBD' "punched" outlet flange is per drawing R1004928.
2. CW rotation is shown. CCW rotation is similar but opposite.
3. Optional flanged inlet per drawing R1004927.
4. Standard Arrangement 9A, 9B and 9F motor location is 'left' for CW rotation and 'right' for CCW rotation (unless otherwise specified). Dimension 'FR' is Max. Motor Frame.

FAN SIZE	A	AH	B	BA	BH	C	D		FR			G	GA	GB	GC
							1, 9A, 9F	9B	9A	9B	9F				
907	6.81	5.06	6.06	1.50 x 1.50	0.44	7.00	18.50	21.50	184T	215T	215T	14.25	12	12	7.13
909	8.63	6.25	7.69	1.50 x 1.50	0.44	9.00	18.50	24.50	184T	256T	256T	17.75	12	12	8.88
911	10.56	8.44	9.44	2.00 x 2.00	0.56	11.00	21.50	25.00	215T	256T	284T	20.25	10	10	10.13
913	12.44	9.94	11.13	2.00 x 2.00	0.56	13.00	21.75	27.75	215T	286T	324T	23.25	10	10	11.63
915	14.31	11.88	12.81	2.50 x 2.50	0.56	15.00	25.25	28.25	256T	286T	324T	26.25	10	10	13.13
917	16.25	13.25	14.50	2.50 x 2.50	0.56	17.00	28.25	32.00	256T	326T	326T	29.50	10	10	14.75
919	18.06	15.25	16.13	2.50 x 2.50	0.56	19.00	31.25	35.50	286T	365T	365T	31.25	10	10	15.63

FAN SIZE	H				HE	HG	HP	J	JA	KB	KL	KS	L			
	ARR 1	ARR 9A	ARR 9B	ARR 9F									ARR 1	ARR 9A	ARR 9B	ARR 9F
907	21.38	24.63	28.25	28.38	9.69	8.81	12.06	4.69	5.69	3.94	4.50	0.38 x 0.19	12.00	15.25	18.88	17.00
909	23.00	26.25	34.75	35.38	12.38	11.25	15.00	5.50	6.50	4.75	5.00	0.38 x 0.19	12.00	15.25	23.75	21.88
911	28.00	32.63	37.50	37.88	15.06	13.69	18.44	6.88	8.38	5.88	5.00	0.38 x 0.19	14.25	18.88	23.75	21.63
913	30.88	34.25	41.50	41.06	17.81	16.19	21.44	7.69	9.19	6.69	5.50	0.38 x 0.19	15.50	18.88	26.13	24.25
915	37.88	41.88	44.25	44.81	20.50	18.63	24.88	9.06	10.06	7.81	5.50	0.50 x 0.25	19.75	23.75	26.13	25.25
917	41.50	43.50	48.38	48.94	23.25	21.13	27.88	9.88	10.88	8.63	6.00	0.50 x 0.25	21.75	23.75	28.63	27.75
919	45.69	47.50	51.50	51.31	25.88	23.50	30.75	10.69	11.69	9.44	7.00	0.50 x 0.25	24.31	26.13	30.13	28.50

FAN SIZE	M	N	P				Q	S	SD	SE	T	V	IMPELLER DIAMETER
			ARR 1	ARR 9A	ARR 9B	ARR 9F							
907	6.38	0.63	21.56	24.81	28.44	26.56	7.19	25.25	1.44	4.75	15.00	32.50	12.25
909	8.13	0.63	23.13	26.38	34.88	33.00	9.19	28.50	1.44	5.50	19.88	37.75	15.63
911	9.13	0.88	26.75	31.38	36.25	34.13	11.19	30.13	1.69	5.50	19.38	40.38	19.13
913	10.63	0.88	29.31	32.69	39.94	38.06	13.25	33.06	1.69	6.00	22.00	45.06	22.63
915	11.88	1.13	34.94	38.94	41.31	40.44	15.25	33.31	2.19	6.00	22.75	46.56	26.13
917	13.50	1.13	38.75	40.75	45.63	44.75	17.25	33.31	2.19	7.00	25.25	48.19	29.63
919	14.38	1.13	42.63	44.44	48.44	46.88	19.25	37.44	2.19	7.50	26.00	53.19	33.00

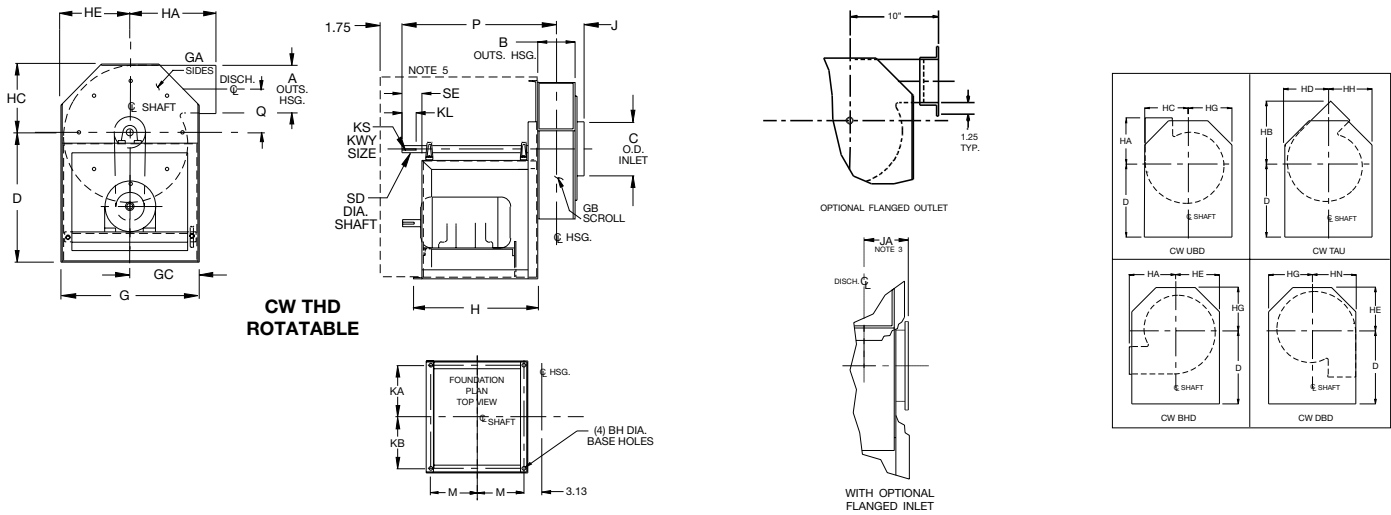
R1004904

Dimensions are not to be used for construction. Certified drawings are available upon request.

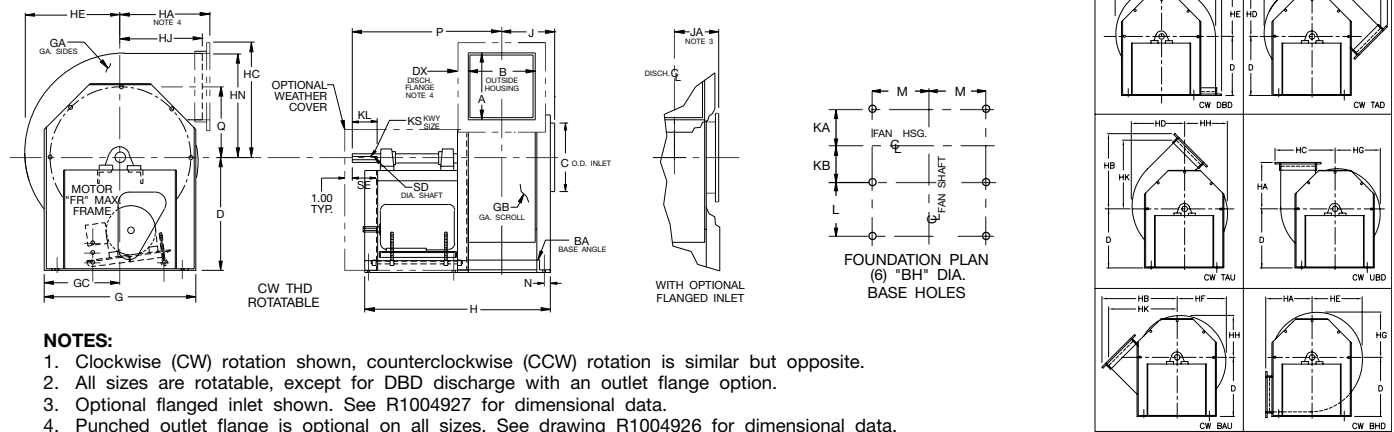
Models MHA, MHO & MHW

Arr. 10: Class 22

Size 905



Sizes 907 - 919



NOTES:

1. Clockwise (CW) rotation shown, counterclockwise (CCW) rotation is similar but opposite.
2. All sizes are rotatable, except for DBD discharge with an outlet flange option.
3. Optional flanged inlet shown. See R1004927 for dimensional data.
4. Punched outlet flange is optional on all sizes. See drawing R1004926 for dimensional data. Consult factory for DBD discharge with punched outlet flange option.
5. Weather cover is optional.
6. All Arrangement 10 fans are available as Class 22 only.

FAN SIZE	A	B	BA	BH	C	D	DX	G	GA	GB	GC	H	HA	HB	HC	HD	HE	HJ	HK
905	4.88	4.50	—	0.44	5.00	14.50	1.25	16.00	12	12	8.00	13.38	9.00	11.75	8.00	8.00	8.00	—	—
907	6.81	6.06	1.50x1.50	0.44	7.00	17.63	1.25	16.00	12	12	8.00	28.63	9.56	15.13	11.81	10.13	9.69	8.31	13.38
909	8.63	7.69	1.50x1.50	0.44	9.00	19.38	1.25	19.00	10	10	9.50	32.00	11.13	18.31	14.75	12.94	12.38	10.63	17.06
911	10.56	9.44	2.00x2.00	0.56	11.00	21.88	1.50	25.00	10	10	12.50	39.00	14.25	22.75	17.94	15.75	15.06	13.00	20.81
913	12.44	11.13	2.00x2.00	0.56	13.25	25.50	1.50	27.25	10	10	13.63	40.69	15.88	26.06	20.94	18.63	17.81	15.38	24.63
915	14.31	12.81	2.50x2.50	0.56	15.25	30.50	1.50	33.00	10	10	16.50	45.13	18.25	29.81	23.88	21.50	20.50	17.75	28.38
917	16.25	14.50	2.50x2.50	0.56	17.25	27.50	1.50	36.13	10	10	18.06	46.81	20.63	33.63	26.88	24.31	23.25	20.13	32.19
919	18.06	16.13	2.50x2.50	0.56	19.25	30.00	2.00	38.88	10	10	19.44	51.94	22.94	37.63	30.25	27.06	25.88	22.44	35.88

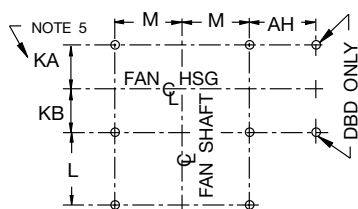
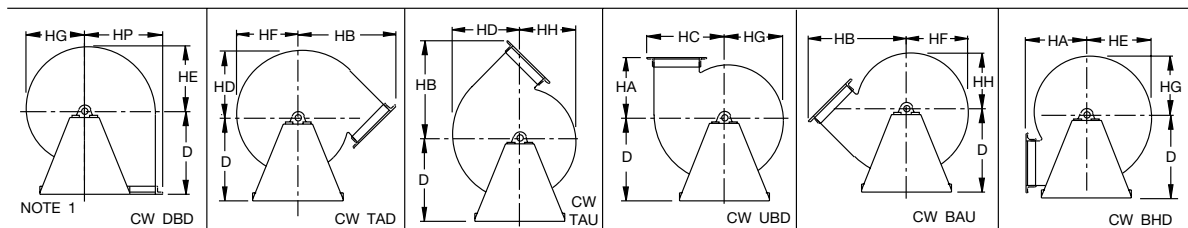
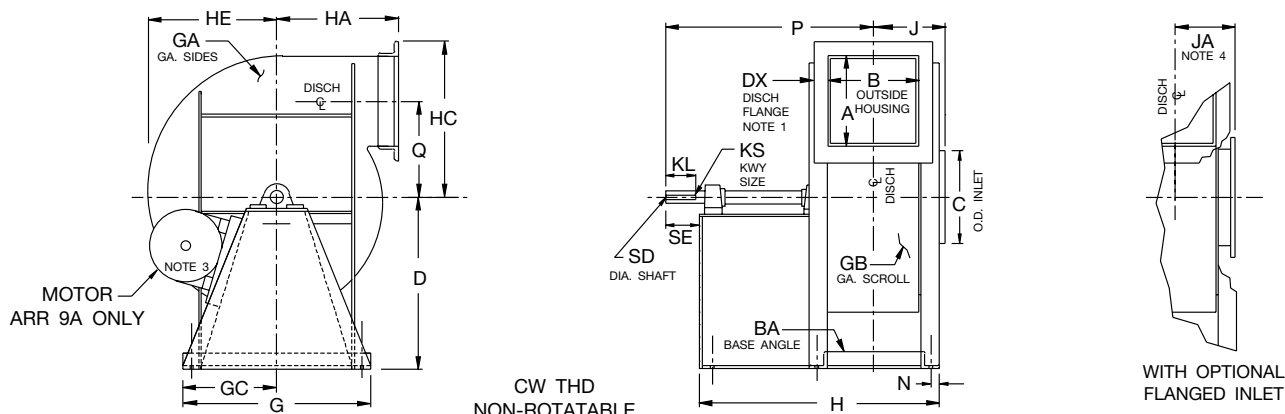
FAN SIZE	HF	HG	HH	HN	J	JA	KA	KB	KL	KS	L	M	N	P	Q	SD	SE	MAX. MTR. FR.
905	—	8.00	8.00	8.00	3.88	4.88	6.75	6.75	2.00	0.25 x 0.13	—	6.00	—	17.13	5.13	1.00	2.75	145T
907	9.25	8.81	8.38	10.56	4.69	5.69	4.06	4.94	2.00	0.38 x 0.19	18.50	7.31	0.63	24.81	7.19	1.44	2.75	184T
909	11.81	11.25	10.69	13.50	5.50	6.50	4.88	5.75	2.63	0.38 x 0.19	20.25	8.81	0.63	28.06	9.19	1.44	3.38	215T
911	14.38	13.69	13.00	16.44	6.88	8.38	6.00	6.75	3.25	0.38 x 0.19	24.75	10.88	0.88	34.25	11.19	1.69	4.00	256T
913	17.00	16.19	15.38	19.44	7.69	9.19	6.81	8.19	3.25	0.38 x 0.19	23.88	11.13	0.88	35.13	13.25	1.69	4.00	256T
915	19.56	18.63	17.69	22.38	9.06	10.06	7.94	9.06	3.63	0.50 x 0.25	26.13	12.13	1.13	38.88	15.25	2.19	4.63	286T
917	22.19	21.13	20.06	25.38	9.88	10.88	8.75	10.44	3.63	0.50 x 0.25	25.38	12.38	1.13	39.81	17.25	2.19	4.63	286T
919	24.69	23.50	22.31	28.25	10.69	11.69	9.56	11.25	4.50	0.50 x 0.25	28.88	14.13	1.13	44.75	19.25	2.19	5.25	326T

Dimensions are not to be used for construction. Certified drawings are available upon request.

R1004905
R1004925

Models MHO, MHA & MHW

Arr. 1 & 9A: Class 22



SIX 'BH' DIA. BASE HOLES
(EIGHT HOLES ON 'DBD')
FOUNDATION PLAN

NOTES:

1. Outlet flanges punched per drawing R1004926 except DBD is punched per foundation plan. DBD "punched" outlet flange is per drawing R1004928.
2. CW rotation is shown. CCW rotation is similar but opposite.
3. Arrangement 9 motor location is 'left' for CW rotation and 'right' for CCW rotation. Dimension 'FR' is Max. Motor Frame on Arr. 9A.
4. Optional flanged inlet per drawing R1004927.
5. Use dimension 'KB' for DBD discharge.

FAN SIZE	A	AH	B	BA	BH	C	D	DX	FR (9A)	G	GA	GB
921	20.00	15.75	17.81	3.00 x 3.00	0.81	21.00	34.50	2.00	326T	37.25	10	10
923	22.00	17.31	19.63	3.00 x 3.00	0.81	23.00	37.50	2.00	326T	40.25	7	7
926	24.81	19.38	22.13	3.00 x 3.00	0.81	26.00	41.75	2.50	365T	44.75	7	7
929	27.69	21.56	24.63	3.00 x 3.00	0.81	29.00	46.50	2.50	365T	49.75	7	7

FAN SIZE	GC	H	HA	HB	HC	HD	HE	HF	HG	HH	HP	J	JA
921	18.63	52.88	23.50	40.19	33.25	29.88	28.50	27.13	25.75	24.38	34.25	12.13	13.13
923	20.13	54.69	26.50	44.44	36.31	32.81	31.25	29.75	28.19	26.69	37.31	13.00	14.00
926	22.38	58.69	29.00	49.63	41.13	36.94	35.25	33.56	31.88	30.19	41.63	14.25	15.25
929	24.88	61.19	31.75	54.88	45.81	41.38	39.50	37.56	35.69	33.75	46.31	15.50	16.50

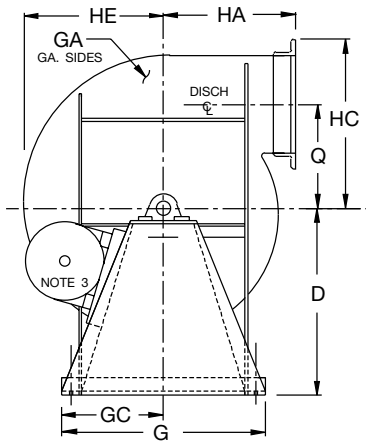
FAN SIZE	KA	KB	KL	KS	L	M	N	P	Q	SD	SE	IMPELLER DIAMETER
921	10.75	10.56	7.00	0.63 x 0.31	28.56	17.13	1.38	48.75	21.25	2.437	8.00	36.50
923	11.63	11.44	7.00	0.63 x 0.31	28.63	18.63	1.38	49.69	23.31	2.437	8.00	40.00
926	12.88	12.69	8.00	0.75 x 0.38	30.13	20.88	1.38	53.44	26.25	2.937	9.00	45.13
929	14.13	13.94	8.00	0.88 x 0.44	30.13	23.38	1.38	55.19	29.50	3.437	9.50	50.50

Dimensions are not to be used for construction. Certified drawings are available upon request.

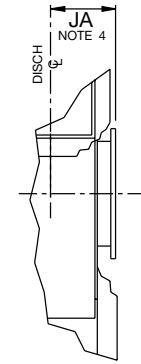
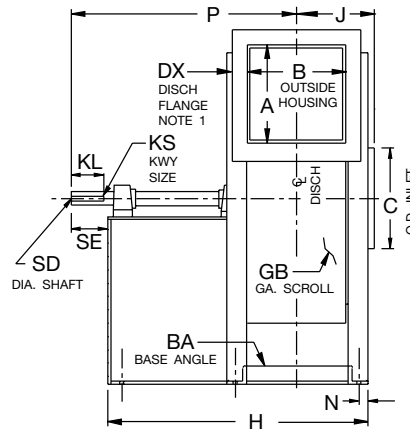
R1004912

Models MHO, MHA & MHW

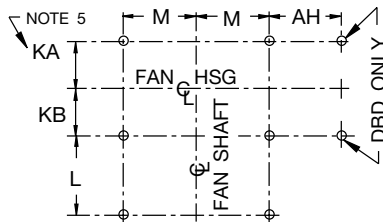
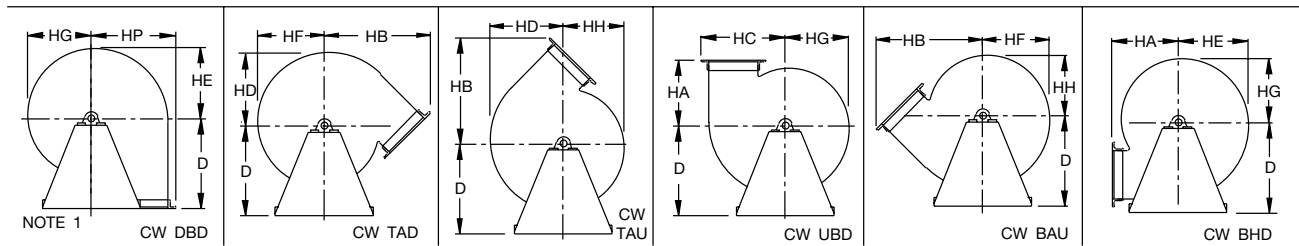
Arr. 9B: Class 22



CW THD
NON-ROTATABLE



WITH OPTIONAL
FLANGED INLET



SIX 'BH' DIA. BASE HOLES
(EIGHT HOLES ON 'DBD')

FOUNDATION PLAN

NOTES:

1. Outlet flanges punched per drawing R1004926 except angles on DBD punched per foundation plan. DBD "punched" outlet flange is per drawing R1004904.
2. CW rotation is shown. CCW rotation is similar but opposite.
3. Motor location is 'left' for CW rotation and 'right' for CCW rotation. Dimension 'FR' is Max. Motor Frame on Arr. 9B.
4. Optional flanged inlet per drawing R1004927.
5. Use dimension 'KB' for DBD discharge.

FAN SIZE	A	AH	B	BA	BH	C	D	DX	FR (9B)	G	GA	GB
921	20.00	15.75	17.81	3.00 x 3.00	0.81	21.00	41.25	2.00	365T	37.25	10	10
923	22.00	17.31	19.63	3.00 x 3.00	0.81	23.00	41.25	2.00	365T	40.25	7	7
926	24.81	19.38	22.13	3.00 x 3.00	0.81	26.00	41.75	2.50	405T	44.75	7	7
929	27.69	21.56	24.63	3.00 x 3.00	0.81	29.00	46.50	2.50	405T	49.75	7	7

FAN SIZE	GC	H	HA	HB	HC	HD	HE	HF	HG	HH	HP	J	JA
921	18.63	54.38	23.50	40.19	33.25	29.88	28.50	27.13	25.75	24.38	34.25	12.13	13.13
923	20.13	56.19	26.50	44.44	36.31	32.81	31.25	29.75	28.19	26.69	37.31	13.00	14.00
926	22.38	63.69	29.00	49.63	41.13	36.94	35.25	33.56	31.88	30.19	41.63	14.25	15.25
929	24.88	66.19	31.75	54.88	45.81	41.38	39.50	37.56	35.69	33.75	46.31	15.50	16.50

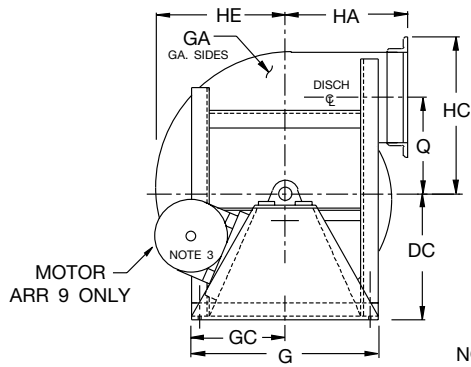
FAN SIZE	KA	KB	KL	KS	L	M	N	P	Q	SD	SE	IMPELLER DIAMETER
921	10.75	10.56	7.00	0.63 x 0.31	30.06	17.13	1.38	50.25	21.25	2.437	8.00	36.50
923	11.63	11.44	7.00	0.63 x 0.31	30.13	18.63	1.38	51.19	23.31	2.437	8.00	40.00
926	12.88	12.69	8.00	0.75 x 0.38	35.13	20.88	1.38	58.44	26.25	2.937	9.00	45.13
929	14.13	13.94	8.00	0.88 x 0.44	35.13	23.38	1.38	60.19	29.50	3.437	9.50	50.50

R1004913

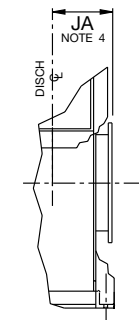
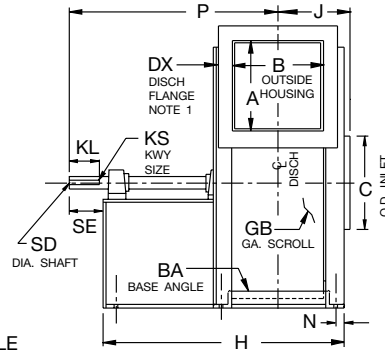
Dimensions are not to be used for construction. Certified drawings are available upon request.

Models MHO, MHA & MHW

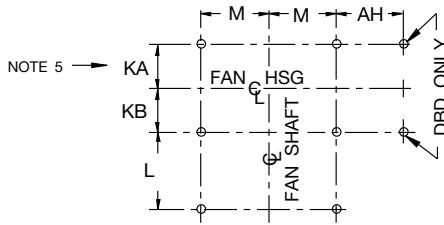
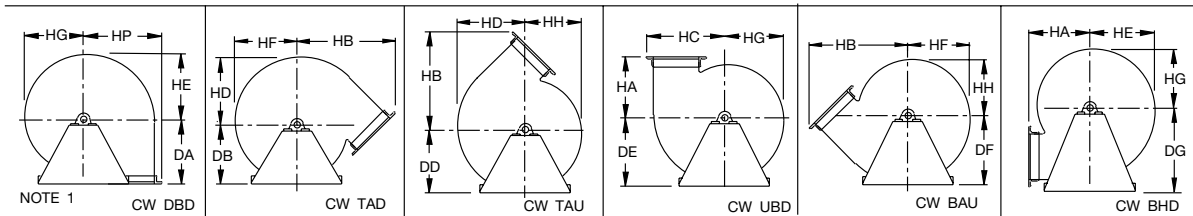
Arr. 1 & 9: Class 22



CW THD
NON-ROTATABLE



WITH OPTIONAL
FLANGED INLET



SIX 'BH' DIA. BASE HOLES
(EIGHT HOLES ON 'DBD')
FOUNDATION PLAN

NOTES:

1. Outlet flanges punched per drawing R1004926 except DBD is punched per foundation plan. DBD "punched" outlet flange is per drawing R1004928.
2. CW rotation is shown. CCW rotation is similar but opposite.
3. Arr. 9 motor location is 'left' for CW rotation and 'right' for CCW rotation. Dimension 'FR' is Max. Motor Frame on Arr. 9.
4. Optional flanged inlet per drawing R1004927.
5. Use dimension 'KB' for DBD discharge.

FAN SIZE	A	AH	B	BA	BH	C	DA	DB	DC	DD	DE	DF	DG	DX
933	31.50	25.88	28.00	3.00 x 4.00	0.81	33.00	43.00	43.00	43.00	45.00	47.00	49.50	52.50	2.50
937	35.19	28.75	31.50	3.00 x 4.00	0.81	37.00	47.88	47.88	47.88	50.50	53.00	55.75	58.50	2.50
941	38.94	32.63	34.81	3.50 x 5.00	0.81	41.00	52.75	52.75	52.75	55.25	58.25	61.00	64.25	2.50
945	42.75	35.50	38.19	4.00 x 6.00	0.81	45.00	59.00	59.00	59.00	62.00	65.00	68.00	72.00	3.00
949	46.63	34.88	41.50	4.00 x 6.00	0.81	49.00	64.00	64.00	64.00	67.00	69.75	74.00	80.00	3.00
954	51.13	37.69	45.50	4.00 x 6.00	0.81	54.63	70.25	70.25	70.25	73.50	77.00	81.00	86.00	3.00
960	57.00	41.94	50.75	4.00 x 6.00	0.81	60.63	78.00	78.00	78.00	81.75	85.50	90.00	96.00	3.00

FAN SIZE	FR (ARR. 9)	G	GA	GB	GC	H	HA	HB	HC	HD	HE	HF	HG	HH	HP
933	405T	54.00	0.19	0.19	27.00	71.63	36.50	62.44	51.75	47.06	44.88	42.69	40.50	38.31	53.25
937	405T	60.00	0.25	0.19	30.00	75.13	40.75	69.56	57.63	52.69	50.25	47.81	45.38	42.94	59.13
941	405T	65.50	0.25	0.19	32.75	80.44	48.50	79.25	63.50	58.31	55.63	52.94	50.25	47.56	66.00
945	405T	73.00	0.25	0.19	36.50	85.81	49.81	84.69	69.88	63.94	61.00	58.06	55.13	52.19	72.88
949	405T	86.50	0.25	0.25	43.25	89.13	54.25	92.13	76.00	69.75	66.56	63.31	60.13	56.88	79.00
954	405T	94.50	0.31	0.31	47.25	93.19	59.25	100.50	82.81	76.31	72.81	69.31	65.81	62.31	85.81
960	405T	104.88	0.31	0.31	52.44	98.44	66.19	112.06	92.25	85.31	81.38	77.44	73.50	69.56	95.25

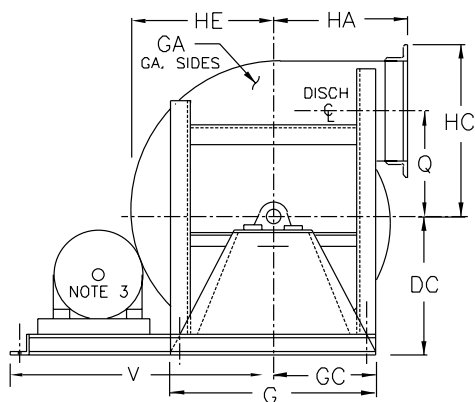
FAN SIZE	J	JA	KA	KB	KL	KS	L	M	N	P	Q	SD	SE	IMPELLER DIAMETER
933	18.25	19.25	16.38	16.13	8.00	0.88 x 0.44	35.13	25.50	1.88	63.13	33.50	3.44	9.50	57.50
937	20.00	21.00	18.13	17.88	8.00	0.88 x 0.44	35.13	28.50	1.88	64.88	37.56	3.44	9.50	64.38
941	22.69	23.69	20.31	20.06	8.00	1.00 x 0.50	35.06	31.00	2.38	67.50	41.56	3.94	9.50	71.25
945	25.38	26.38	22.50	22.25	8.00	1.00 x 0.50	35.06	34.50	2.88	70.19	45.56	3.94	9.50	78.25
949	27.00	28.00	24.13	23.88	8.00	1.00 x 0.50	35.13	41.25	2.88	71.88	49.69	4.44	9.50	85.25
954	29.06	30.06	26.19	25.88	8.00	1.25 x 0.63	35.13	45.25	2.88	73.94	54.25	5.44	9.50	93.75
960	31.69	32.69	28.81	28.50	8.00	1.50 x 0.75	35.13	50.44	2.88	76.56	60.75	5.94	9.50	104.25

Dimensions are not to be used for construction. Certified drawings are available upon request.

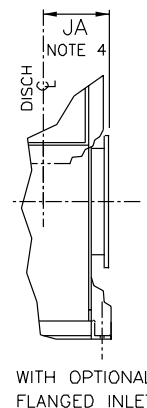
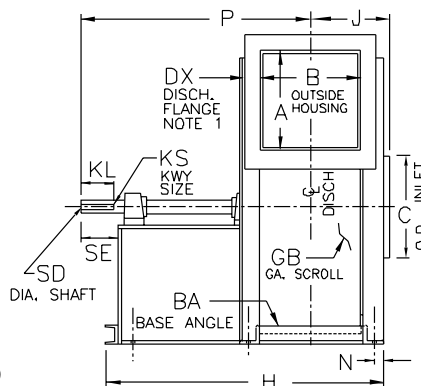
R1004919

Models MHO, MHA & MHR

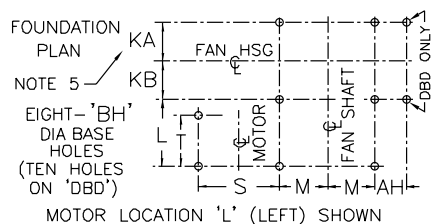
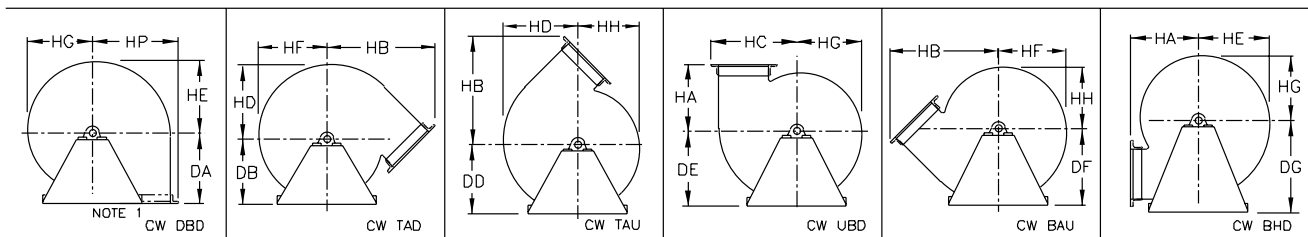
Arr. 9F: Class 22



CW THD
NON-ROTATABLE



WITH OPTIONAL
FLANGED INLET



NOTES:

1. Outlet flanges punched per drawing R1004926 except DBD is punched per foundation plan. DBD "punched" outlet flange is per drawing R1004929.
2. CW rotation is shown. CCW rotation is similar but opposite.
3. Standard Arrangement 9F motor location is 'left' for CW rotation and 'right' for CCW rotation (unless otherwise specified). Dimension 'FR' is Max. Motor Frame.
4. Optional flanged inlet per drawing R1004927.
5. Use dimension 'KB' for DBD discharge.

FAN SIZE	A	AH	B	BA	BH	C	DA	DB	DC	DD	DE	DF	DG	DX	FR
933	31.50	25.88	28.00	3.00 x 4.00	0.81	33.00	43.00	43.00	43.00	45.00	47.00	49.50	52.50	2.50	445T
937	35.19	28.75	31.50	3.00 x 4.00	0.81	37.00	47.88	47.88	47.88	50.50	53.00	55.75	58.50	2.50	445T
941	38.94	32.63	34.81	3.50 x 5.00	0.81	41.00	52.75	52.75	52.75	55.25	58.25	61.00	64.25	2.50	445T
945	42.75	35.56	38.19	4.00 x 6.00	0.81	45.00	59.00	59.00	59.00	62.00	65.00	68.00	72.00	3.00	445T
949	46.63	34.88	41.50	4.00 x 6.00	0.81	49.00	64.00	64.00	64.00	67.00	69.75	74.00	80.00	3.00	445T
954	51.13	37.69	45.50	4.00 x 6.00	0.81	54.63	70.25	70.25	70.25	73.50	77.00	81.00	86.00	3.00	445T
960	57.00	41.94	50.75	4.00 x 6.00	0.81	60.63	78.00	78.00	78.00	81.75	85.50	90.00	96.00	3.00	445T

FAN SIZE	G	GA	GB	GC	H	HA	HB	HC	HD	HE	HF	HG	HH	HP	J	JA
933	54.00	7	7	27.00	78.19	36.50	62.44	51.75	47.06	44.88	42.69	40.50	38.31	53.25	18.25	19.25
937	60.00	0.25	7	30.00	81.69	40.75	69.56	57.63	52.69	50.25	47.81	45.38	42.94	59.13	20.00	21.00
941	65.50	0.25	7	32.75	90.44	48.50	79.25	63.50	58.31	55.63	52.94	50.25	47.56	66.00	22.69	23.69
945	73.00	0.25	7	36.50	94.81	49.81	84.69	69.94	63.94	61.00	58.06	55.13	52.19	72.94	25.38	26.38
949	86.50	0.25	0.25	43.25	107.31	54.25	92.13	76.00	69.75	66.56	63.31	60.13	56.88	79.00	27.00	28.06
954	94.50	0.31	0.31	47.25	117.13	59.25	100.50	82.81	76.31	72.81	69.31	65.81	62.31	85.81	29.06	30.06
960	104.88	0.31	0.31	52.44	122.38	66.19	112.06	92.25	85.31	81.38	77.44	73.50	69.56	95.25	31.69	32.69

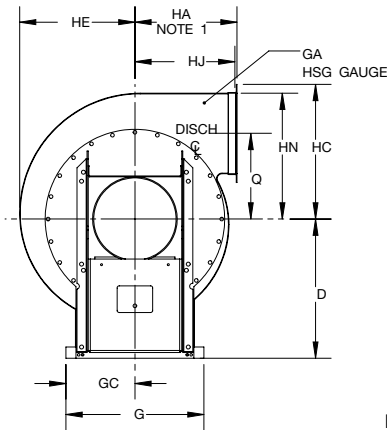
FAN SIZE	KA	KB	KL	KS	L	M	N	P	Q	S	SD	SE	T	V	IMPELLER DIAMETER
933	16.38	16.13	9.25	0.88 x 0.44	40.13	25.50	1.88	68.88	33.50	46.56	3.44	10.50	36.88	73.44	57.50
937	18.13	17.88	9.25	0.88 x 0.44	40.13	28.50	1.88	70.63	37.56	46.56	3.44	10.50	36.88	76.44	64.38
941	20.31	20.06	9.25	1.00 x 0.50	43.50	31.00	2.38	76.81	41.56	46.81	3.94	10.63	39.75	79.19	71.25
945	22.50	22.25	9.25	1.00 x 0.50	42.50	34.50	2.88	78.50	45.56	46.81	3.94	10.63	38.25	82.94	78.25
949	24.13	23.88	9.25	1.00 x 0.50	51.75	41.25	2.88	89.38	49.69	46.81	4.44	10.63	47.50	89.69	85.25
954	26.19	25.88	9.25	1.25 x 0.63	57.50	45.25	2.88	97.25	54.25	46.81	5.44	10.75	53.25	93.69	93.75
960	28.81	28.50	9.25	1.50 x 0.75	57.50	50.44	2.88	100.13	60.75	47.13	5.94	11.00	53.25	98.88	104.25

Dimensions are not to be used for construction. Certified drawings are available upon request.

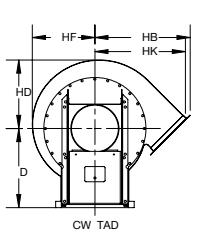
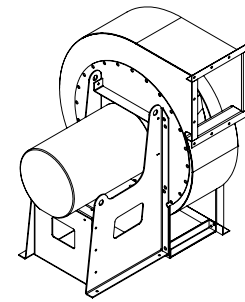
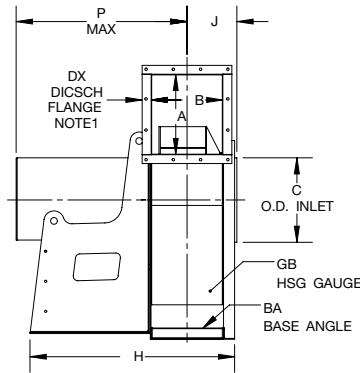
R1004920

Models MHA & MHW

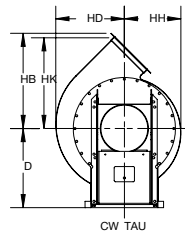
Arr. 4: Class 22



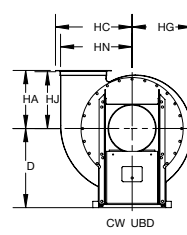
CW THD
ROTATABLE



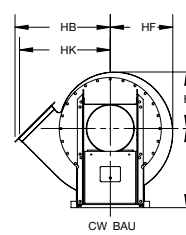
CW TAD



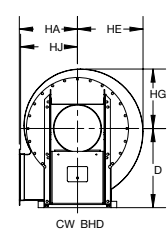
CW TAU



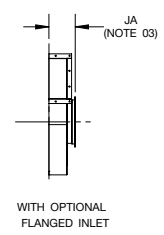
CW UBD



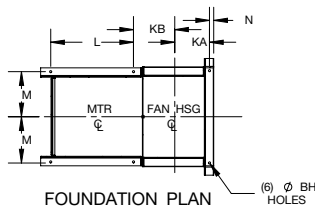
CW BAU



CW BHD



WITH OPTIONAL
FLANGED INLET



FOUNDATION PLAN

(6) Ø BH HOLES

NOTES:

1. Outlet flanges are optional. Flanges are punched per drawing R1004926.
2. CW rotation is shown. CCW rotation is similar but opposite.
3. Optional flanged inlet per drawing R1004927.

FAN SIZE	A	B	BA	BH	C	D	DX	G	GA	GB	GC	H	HA
907	6.81	6.06	1.50 x 1.50	0.44	7.00	14.25	1.25	16.00	12	12	8.00	24.38	9.56
909	8.63	7.69	1.50 x 1.50	0.44	9.00	15.25	1.25	19.50	12	12	9.75	32.00	11.13
911	10.56	9.44	2.00 x 2.00	0.56	11.00	18.75	1.50	20.00	10	10	10.00	34.50	14.25
913	12.44	11.13	2.00 x 2.00	0.56	13.00	21.75	1.50	23.00	10	10	11.50	36.38	15.88
915	14.31	12.81	2.50 x 2.50	0.56	15.00	25.25	1.50	26.00	10	10	13.00	40.13	18.25
917	16.25	14.50	2.50 x 2.50	0.56	17.00	28.25	1.50	29.25	10	10	14.63	43.31	20.63
919	18.06	16.13	2.50 x 2.50	0.56	19.00	31.25	2.00	31.00	10	10	15.50	45.94	22.94

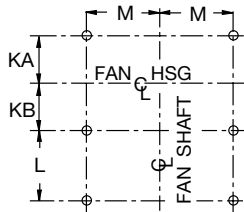
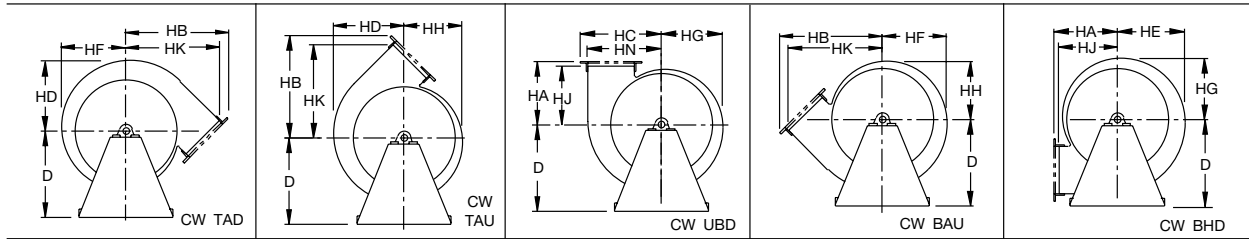
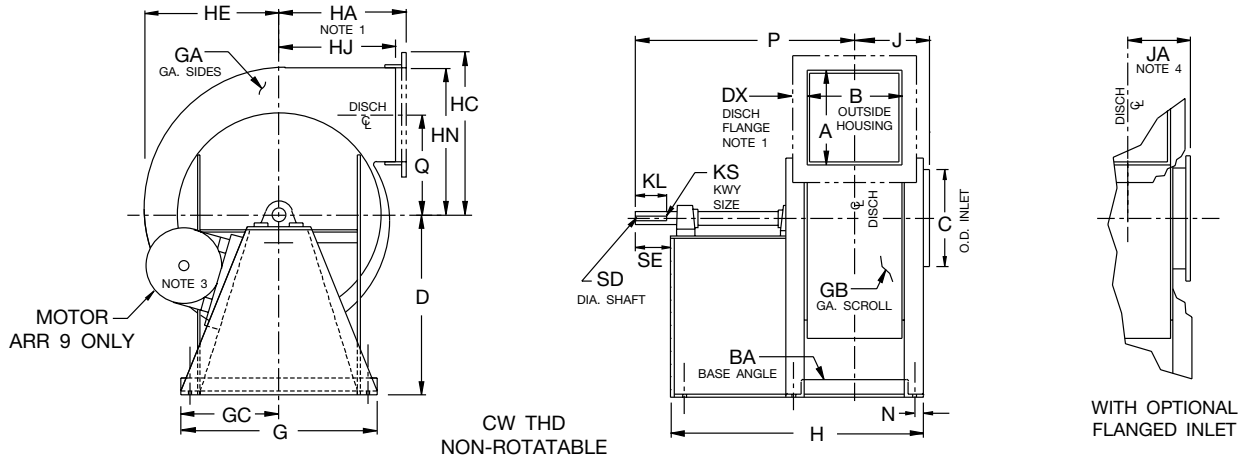
FAN SIZE	HB	HC	HD	HE	HF	HG	HH	HJ	HK	HN	J	JA	KA
907	15.09	11.81	10.13	9.69	9.25	8.81	8.38	9.06	13.86	10.56	4.69	5.69	4.06
909	18.31	14.75	12.94	12.38	11.81	11.25	10.69	10.63	17.06	13.50	5.50	6.50	4.88
911	22.76	17.94	15.75	15.06	14.38	13.69	13.00	13.75	21.36	16.44	6.88	8.38	6.00
913	26.06	20.94	18.63	17.81	17.00	16.19	15.38	15.38	24.63	19.44	7.69	9.19	6.81
915	29.81	23.88	21.50	20.50	19.56	18.63	17.69	17.75	28.38	22.38	9.06	10.06	7.94
917	33.63	26.88	24.31	23.25	22.19	21.13	20.06	20.13	32.19	25.38	9.88	10.88	8.75
919	37.63	30.25	27.06	25.88	24.69	23.50	22.31	22.44	35.88	28.25	10.69	11.69	9.56

FAN SIZE	KB	L	M	N	P	Q	MOTOR FRAME SIZE	
							MIN	MAX
907	5.44	12.38	7.38	0.63	21.69	7.19	143T	184T
909	6.25	18.75	9.25	0.63	23.25	9.19	143T	256T
911	7.06	19.00	9.13	0.88	26.88	11.19	143T	256T
913	8.06	18.13	9.25	0.88	29.44	13.25	143T	256T
915	8.88	19.13	10.25	1.13	35.06	15.25	182T	286T
917	9.75	19.50	11.25	1.13	38.88	17.25	213T	326T
919	10.63	22.00	12.25	1.13	42.75	19.25	254T	365T

BC1007134C

Dimensions are not to be used for construction. Certified drawings are available upon request.

Models MHO, MHA & MHW Arr. 1 & 9: Class 32



SIX 'BH' DIA. BASE HOLES
(EIGHT HOLES ON 'DBD')
FOUNDATION PLAN

NOTES:

1. Outlet flanges are optional. Flanges are punched per drawing R1004930.
2. CW rotation is shown. CCW rotation is similar but opposite.
3. Arr. 9 motor location is 'left' for CW rotation and 'right' for CCW rotation. Dimension 'FR' is Max. Motor Frame on Arr. 9.
4. Optional flanged inlet per drawing R1004927.

FAN SIZE	A	B	BA	BH	C	D		DX	FR (ARR. 9)	G	GA	GB	GC
						ARR. 1	ARR. 9						
911	10.69	9.56	2.00 x 2.00	0.56	11.00	18.75	27.75	1.50	256T	20.25	7	7	10.13
913	12.56	11.25	2.00 x 2.00	0.56	13.00	21.75	32.00	1.50	286T	23.25	7	7	11.63
915	14.44	12.94	2.50 x 2.50	0.56	15.00	25.25	32.00	1.50	286T	26.25	7	7	13.13
917	16.38	14.63	2.50 x 2.50	0.81	17.00	28.25	36.00	1.50	326T	29.50	7	7	14.75
919	18.19	16.25	2.50 x 2.50	0.81	19.00	31.25	41.25	2.00	365T	31.25	7	7	15.63

FAN SIZE	H		HA	HB	HC	HD	HE	HF	HG	HH	HJ	HK	HN	J	JA
	ARR. 1	ARR. 9													
911	28.44	40.31	13.50	22.31	18.00	15.81	15.13	14.44	13.75	13.06	13.00	20.88	16.50	7.00	8.50
913	31.38	43.75	15.88	26.13	21.00	18.69	17.88	17.06	16.25	15.44	15.38	24.69	19.50	7.81	9.31
915	38.31	47.19	18.25	29.88	23.94	21.50	20.56	19.63	18.69	17.75	17.75	28.44	22.44	9.19	10.19
917	42.00	50.38	20.63	33.69	26.94	24.38	23.31	22.25	21.19	20.13	20.13	32.25	25.44	10.00	11.00
919	46.13	57.50	22.94	37.69	30.31	27.13	25.94	24.75	23.56	22.38	22.44	35.94	28.31	10.81	11.81

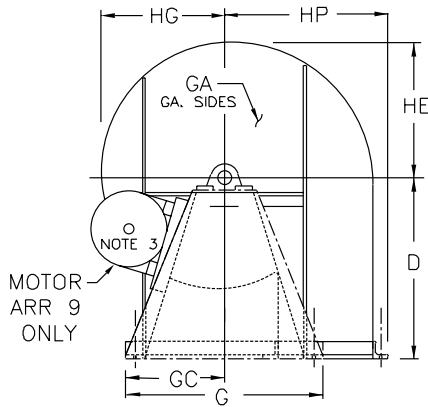
FAN SIZE	K	KL	KS	L		M	N	P		Q	SD	SE	IMPELLER DIAMETER
				ARR. 1	ARR. 9			ARR. 1	ARR. 9				
911	6.13	5.38	0.50 x 0.25	14.19	26.06	9.13	0.88	27.44	39.31	11.19	1.94	6.00	19.13
913	6.94	6.00	0.50 x 0.25	15.50	27.88	10.63	0.88	30.31	42.69	13.25	1.94	6.75	22.63
915	8.06	6.00	0.63 x 0.31	19.69	28.56	11.88	1.13	35.88	44.75	15.25	2.44	6.75	26.13
917	8.88	6.63	0.63 x 0.31	21.75	30.13	13.50	1.13	39.63	48.00	17.25	2.44	7.63	29.63
919	9.69	8.00	0.75 x 0.38	24.25	35.63	14.38	1.13	44.44	55.81	19.25	2.94	9.13	33.00

Dimensions are not to be used for construction. Certified drawings are available upon request.

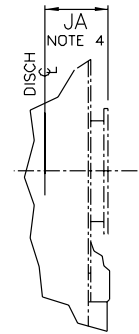
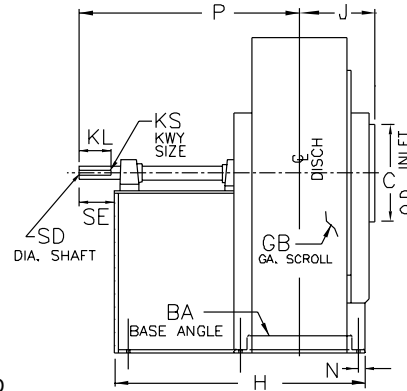
R1004906

Models MHO, MHA, MHP & MHW

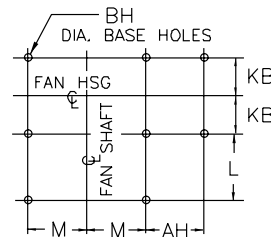
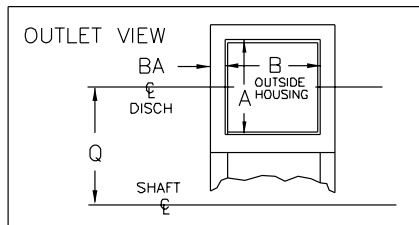
Arr. 1 & 9: Class 32



CW DBD
NON-ROTATABLE



WITH OPTIONAL
FLANGED INLET



FOUNDATION PLAN

MOTOR LOCATION 'L' (LEFT) SHOWN

NOTES:

1. Outlet flange is formed by base angles and are punched per foundation plan. For 'punched' outlet, see drawing R1004931.
2. CW rotation is shown. CCW rotation is similar but opposite.
3. Standard Arrangement 9 & 9F motor location is 'left' for CW rotation and 'right' for CCW rotation (unless otherwise specified). Dimension 'FR' is Max. Motor Frame.
4. Optional flanged inlet per drawing R1004927.

FAN SIZE	A	AH	B	BA	BH	C	D		FR	G	GA	GB	GC
							ARR. 1	ARR. 9					
911	10.69	8.50	9.56	2.00 x 2.00	0.56	11.00	18.75	27.75	256T	20.25	7	7	10.13
913	12.56	10.00	11.25	2.00 x 2.00	0.56	13.00	21.75	32.00	286T	23.25	7	7	11.63
915	14.44	11.94	12.94	2.50 x 2.50	0.56	15.00	25.25	32.00	286T	26.25	7	7	13.13
917	16.38	13.31	14.63	2.50 x 2.50	0.81	17.00	28.25	36.00	326T	29.50	7	7	14.75
919	18.19	15.31	16.25	2.50 x 2.50	0.81	19.00	31.25	41.25	365T	31.25	7	7	15.63

FAN SIZE	H		HE	HG	HP	J	JA	KB	KL	KS	L	
	ARR. 1	ARR. 9									ARR. 1	ARR. 9
911	28.13	39.94	15.13	13.75	18.50	7.00	8.50	5.94	5.38	0.50 x 0.25	14.19	26.06
913	31.00	43.38	17.88	16.25	21.50	7.81	9.31	6.75	6.00	0.50 x 0.25	15.50	27.88
915	38.00	46.81	20.56	18.69	24.94	9.19	10.19	7.88	6.00	0.63 x 0.31	19.69	28.56
917	41.63	50.00	23.31	21.19	27.94	10.00	11.00	8.69	6.63	0.63 x 0.31	21.75	30.13
919	45.75	57.13	25.94	23.56	30.81	10.81	11.81	9.50	8.00	0.75 x 0.38	24.25	35.63

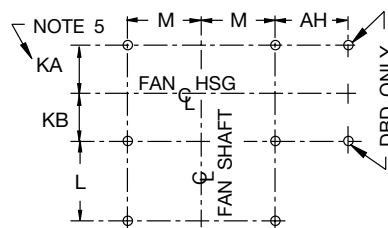
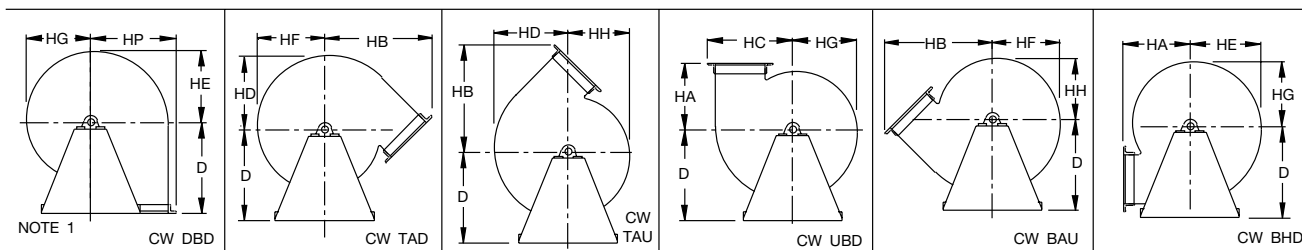
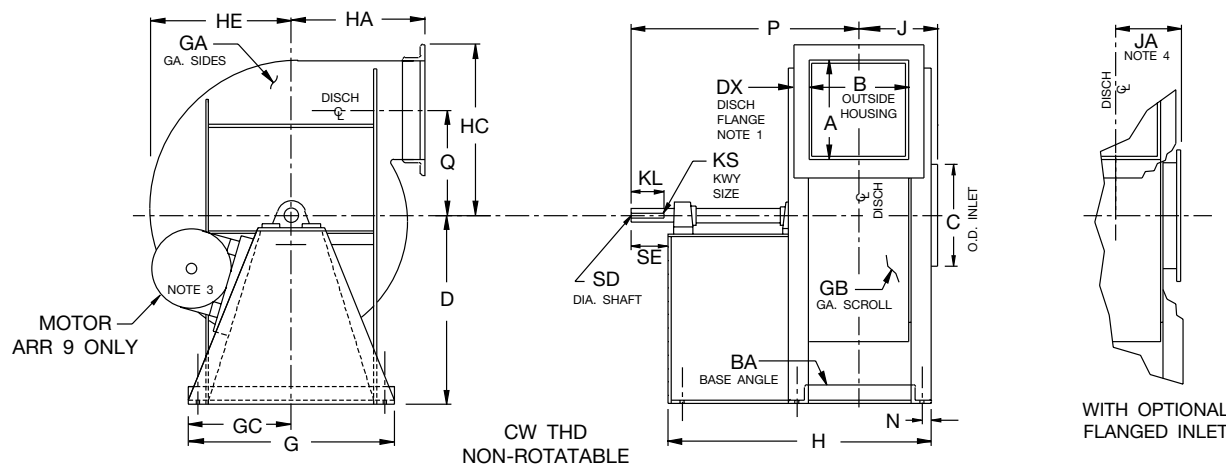
FAN SIZE	M	N	P		Q	SD	SE	IMPELLER DIAMETER
			ARR. 1	ARR. 9				
911	9.13	0.88	27.31	39.19	11.19	1.94	6.00	19.13
913	10.63	0.88	30.13	42.50	13.25	1.94	6.75	22.63
915	11.88	1.13	35.75	44.63	15.25	2.44	6.75	26.13
917	13.50	1.13	39.44	47.81	17.25	2.44	7.63	29.63
919	14.38	1.13	44.25	55.63	19.25	2.94	9.13	33.00

R1004908

Dimensions are not to be used for construction. Certified drawings are available upon request.

Models MHO, MHA, MHP, MHW & MHR

Arr. 1 & 9: Class 32



SIX 'BH' DIA. BASE HOLES
(EIGHT HOLES ON 'DBD')
FOUNDATION PLAN

NOTES:

1. Outlet flanges punched per drawing R1004930 except 'DBD' is punched per foundation plan. DBD "punched" outlet is per drawing R1004931.
2. CW rotation is shown. CCW rotation is similar but opposite.
3. Arr. 9 motor location is 'left' for CW rotation and 'right' for CCW rotation. Dimension 'FR' is Max. Motor Frame on Arr. 9.
4. Optional flanged inlet per drawing R1004927.
5. Use dimension 'KB' for DBD discharge.

FAN SIZE	A	AH	B	BA	BH	C	D		DX	FR (ARR. 9)	G	GA	GB
							ARR. 1	ARR. 9					
921	20.13	15.81	17.94	3.00 x 3.00	0.81	21.00	34.50	41.25	2.00	365T	37.25	7	7
923	22.00	17.31	19.75	3.00 x 3.00	0.81	23.00	37.50	41.25	2.00	365T	40.25	0.25	7
926	24.94	19.44	22.25	3.00 x 3.00	0.81	26.00	41.75	41.75	2.50	405T	44.75	0.25	0.25
929	27.81	21.63	24.75	3.00 x 3.00	0.81	29.00	46.50	46.50	2.50	405T	49.75	0.25	0.25

FAN SIZE	GC	H		HA	HB	HC	HD	HE	HF	HG	HH	HP	J	JA	KA
		ARR. 1	ARR. 9												
921	18.63	49.63	60.00	23.50	40.19	33.31	29.94	28.56	27.19	25.81	24.44	34.31	12.19	13.19	10.81
923	20.13	53.00	61.88	26.50	44.44	36.31	32.81	31.25	29.75	28.19	26.69	37.31	13.13	14.13	11.75
926	22.38	56.50	64.38	29.00	49.69	41.19	37.00	35.31	33.63	31.94	30.25	41.69	14.38	15.38	13.00
929	24.88	60.00	66.88	31.75	54.94	45.88	41.44	39.56	37.63	35.75	33.81	46.38	15.63	16.63	14.25

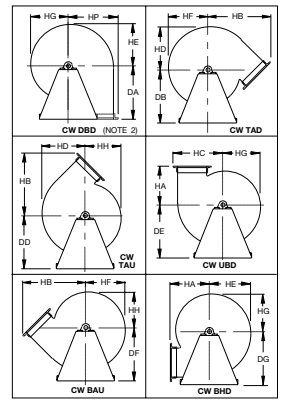
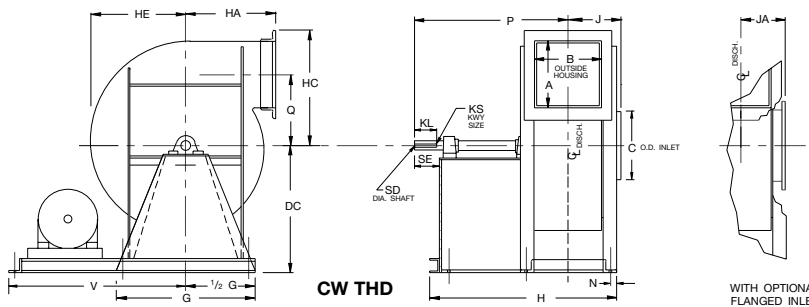
FAN SIZE	KB	KL	KS	L		M	N	P		Q	SD	SE	IMPELLER DIAMETER
				ARR. 1	ARR. 9			ARR. 1	ARR. 9				
921	10.63	8.00	0.75 x 0.38	25.19	35.56	17.13	1.38	46.56	56.94	21.25	2.937	9.13	36.50
923	11.50	8.00	0.88 x 0.44	26.75	35.63	18.63	1.38	49.13	58.00	23.31	3.437	9.25	40.00
926	12.75	8.00	0.88 x 0.44	27.75	35.63	20.88	1.38	51.38	59.25	26.19	3.437	9.25	45.13
929	14.00	8.00	1.00 x 0.50	28.75	35.63	23.38	1.38	53.75	60.63	29.50	3.937	9.38	50.50

R1004915

Dimensions are not to be used for construction. Certified drawings are available upon request.

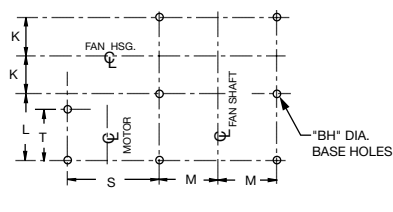
Models MHA, MHO, MHP, MHR & MHW

Arr. 9F: Class 32

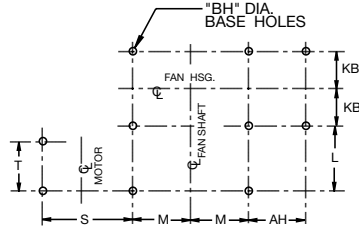


- NOTES:**
1. Clockwise (CW) rotation shown. Counterclockwise (CCW) rotation is similar but opposite.
 2. Sizes 911 through 919 are rotatable. Sizes 921 through 949 are non-rotatable. All DBD discharges are non-rotatable.
 3. Optional flanged inlet is shown. See drawing R1004927 for dimensional data.
 4. Punched outlet flange is optional on sizes 911 through 919 and standard on sizes 921 through 949. See drawing R1004930 for dimensional data.
 5. Standard Arr. 9F motor location is on the left for CW rotation units, and on the right for CCW rotation units (unless otherwise specified.)
 6. Use dimension "KB" in place of "KA" for DBD.
 7. For DBD punched outlet flange, see drawing R1004932.

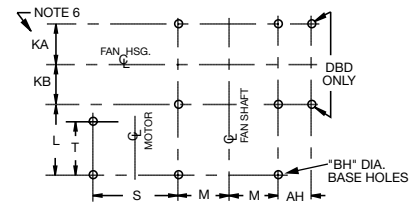
**SIZES 911 - 919
(ALL DISCHARGES EXCEPT DBD)**



**SIZES 911 - 919
(DBD ONLY)**



**SIZES 921 - 949
(ALL DISCHARGES)**



FAN SIZE	A	AH	B	BH	C	DA	DB	DC	DD	DE	DF	DG	G	H		HA
														DBD	OTHERS	
911	10.69	8.50	9.56	0.56	11.00	18.75	18.75	18.75	18.75	18.75	18.75	18.75	20.25	38.56	38.94	13.50
913	12.56	10.00	11.25	0.56	13.00	21.75	21.75	21.75	21.75	21.75	21.75	21.75	23.25	42.69	43.06	15.88
915	14.44	11.94	12.94	0.56	15.00	25.25	25.25	25.25	25.25	25.25	25.25	25.25	26.25	45.44	45.81	18.25
917	16.38	13.31	14.63	0.81	17.00	28.25	28.25	28.25	28.25	28.25	28.25	28.25	29.50	48.69	49.06	20.63
919	18.19	15.31	16.25	0.81	19.00	31.25	31.25	31.25	31.25	31.25	31.25	31.25	31.25	57.56	57.94	22.94
921	20.13	15.81	17.94	0.81	21.00	34.50	34.50	34.50	34.50	34.50	34.50	34.50	37.25	60.50	60.50	23.50
923	22.00	17.31	19.75	0.81	23.00	37.50	37.50	37.50	37.50	37.50	37.50	37.50	40.25	67.94	67.94	26.50
926	24.94	19.44	22.25	0.81	26.00	41.75	41.75	41.75	41.75	41.75	41.75	41.75	44.75	70.44	70.44	29.00
929	27.81	21.63	24.75	0.81	29.00	46.50	46.50	46.50	46.50	46.50	46.50	46.50	49.75	72.94	72.94	31.75
933	31.63	25.94	28.13	0.81	33.00	43.00	43.00	43.00	45.00	47.00	49.50	52.50	54.00	78.31	78.31	36.50
937	35.31	28.81	31.50	0.81	37.00	47.88	47.88	47.88	50.50	53.00	55.75	58.50	60.00	81.69	81.69	40.75
941	39.06	32.69	34.81	0.81	41.00	52.75	52.75	52.75	55.25	58.25	61.00	64.25	65.50	90.44	90.44	48.50
945	42.88	35.56	38.19	0.81	45.00	59.00	59.00	59.00	62.00	65.00	68.00	72.00	73.00	94.81	94.81	49.81
949	46.63	34.88	41.50	0.81	49.00	64.00	64.00	64.00	67.00	69.75	74.00	80.00	86.50	98.06	98.06	54.25

FAN SIZE	HB	HC	HD	HE	HF	HG	HH	HP	J	JA	K	KA	KB	KL	KS
913	26.13	21.00	18.69	17.88	17.06	16.25	15.44	21.50	7.81	9.31	6.94	—	6.75	6.00	0.50 x 0.25
915	29.88	23.94	21.50	20.56	19.63	18.69	17.75	24.94	9.19	10.19	8.06	—	7.88	6.00	0.63 x 0.31
917	33.69	26.94	24.38	23.31	22.25	21.19	20.13	27.94	10.00	11.00	8.88	—	8.69	6.63	0.63 x 0.31
919	37.69	30.31	27.13	25.94	24.75	23.56	22.38	30.81	10.81	11.81	9.69	—	9.50	8.00	0.75 x 0.38
921	40.19	33.31	29.94	28.56	27.19	25.81	24.44	34.31	12.19	13.19	—	10.81	10.63	8.00	0.75 x 0.38
923	44.44	36.31	32.81	31.25	29.75	28.19	26.69	37.31	13.13	14.13	—	11.75	11.50	9.25	0.88 x 0.44
926	49.43	41.19	37.00	35.31	33.63	31.94	30.25	41.69	14.38	15.38	—	13.00	12.75	9.25	0.88 x 0.44
929	54.88	45.88	41.44	39.56	37.63	35.75	33.81	46.38	15.63	16.63	—	14.25	14.00	9.25	1.00 x 0.50
933	62.44	51.81	47.13	44.94	42.75	40.56	38.38	53.31	18.31	19.31	—	16.44	16.19	9.25	1.00 x 0.50
937	69.63	57.69	52.75	50.31	47.88	45.44	43.00	59.19	20.00	21.00	—	18.13	17.88	9.25	1.25 x 0.63
941	79.25	63.56	58.38	55.69	53.00	50.25	47.63	66.06	22.75	23.75	—	20.31	20.06	9.25	1.25 x 0.63
945	84.75	70.00	64.00	61.06	58.13	55.19	52.25	73.00	25.44	26.44	—	22.50	22.25	9.25	1.25 x 0.63
949	92.13	76.00	69.75	66.56	63.31	60.13	56.88	79.00	27.06	28.06	—	24.13	23.88	9.25	1.25 x 0.63

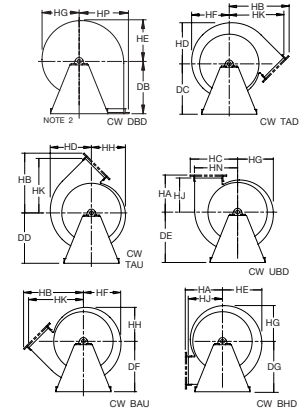
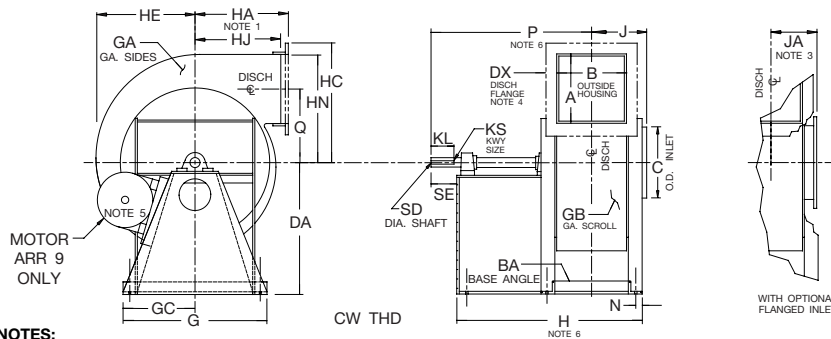
FAN SIZE	L		M	N	P		Q	S	SD	SE	T		V		MAX. MOTOR FRAME SIZE
	DBD	OTHERS			DBD	OTHERS					DBD	OTHERS	DBD	OTHERS	
911	23.25	23.38	9.13	0.88	36.44	36.63	11.19	30.50	1.94	6.00	21.00	21.13	41.00	41.00	286T
913	25.75	25.75	10.63	0.88	40.38	40.56	13.25	34.75	1.94	6.75	23.50	23.50	46.75	46.75	326T
915	25.75	25.75	11.88	1.13	41.75	41.94	15.25	35.00	2.44	6.75	23.25	23.25	48.25	48.25	326T
917	27.38	27.38	13.50	1.13	45.06	45.25	17.25	39.13	2.44	7.63	24.88	24.88	54.00	54.00	365T
919	34.50	34.50	14.38	1.13	54.50	54.69	19.25	44.25	2.94	9.13	32.00	32.00	60.00	60.00	405T
921	34.50	34.50	17.13	1.38	55.88	55.88	21.25	44.50	2.94	9.13	31.75	31.75	63.00	63.00	405T
923	40.13	40.13	18.63	1.38	63.75	63.75	23.31	48.00	3.44	10.50	37.38	37.38	68.00	68.00	445T
926	40.13	40.13	20.88	1.38	65.00	65.00	26.25	48.00	3.44	10.50	37.38	37.38	70.25	70.25	445T
929	40.13	40.13	23.38	1.38	66.38	66.38	29.50	48.00	3.94	10.63	37.38	37.38	72.75	72.75	445T
933	40.13	40.13	25.50	1.88	69.06	69.06	33.50	48.00	3.94	10.63	36.88	36.88	74.88	74.88	445T
937	40.13	40.13	28.50	1.88	70.88	70.88	37.56	48.00	4.94	10.75	36.88	36.88	77.88	77.88	445T
941	43.50	43.50	31.00	2.38	76.94	76.94	41.56	48.25	4.94	10.75	39.75	39.75	80.63	80.63	445T
945	42.50	42.50	34.50	2.88	78.63	78.63	45.50	48.50	4.94	10.75	38.25	38.25	84.38	84.38	445T
949	42.50	42.50	41.25	2.88	80.25	80.25	49.63	48.50	5.44	10.75	38.25	38.25	91.13	91.13	445T

R1004908 R1004907 R1004916 R1004922

Dimensions are not to be used for construction. Certified drawings are available upon request.

Models MHO, MHA, MHP & MHR

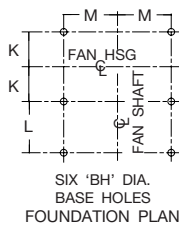
Arr. 1 & 9: Class 45



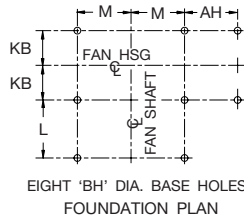
NOTES:

1. Clockwise (CW) rotation shown. Counterclockwise (CCW) rotation is similar but opposite.
2. Sizes 913 through 919 are rotatable. Sizes 921 through 941 are non-rotatable. All DBD discharges are non-rotatable.
3. Optional flanged inlet is shown. See R1004927 for dimensional data.
4. Punched outlet flange is optional on sizes 913 through 919 and standard on sizes 921 through 941. See drawing R1004932 for dimensional data.
5. Standard Arr. 9 motor location is on the left for CW rotation units, and on the right for CCW rotation units (unless otherwise specified).
6. Dimensions vary slightly for DBD. Contact factory for dimensions.
7. For DBD punched outlet flange, see drawing R1004933.

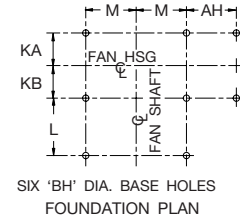
**SIZES 913 - 919
(ALL DISCHARGES EXCEPT DBD)**



**SIZES 913 - 941
(DBD ONLY)**



**SIZES 921 - 941
(ALL DISCHARGES EXCEPT DBD)**



SIZE	A	AH	B	BA	BH	C	DA / DB / DC		DD		DE		DF		DG		DX	G	GA	GB
							ARR. 1	ARR. 9	ARR. 1	ARR. 9	ARR. 1	ARR. 9	ARR. 1	ARR. 9	ARR. 1	ARR. 9				
913	12.56	10.00	11.25	2.00 x 2.00	0.69	13.00	21.75	36.00	21.75	36.00	21.75	36.00	21.75	36.00	21.75	36.00	1.50	23.25	7	7
915	14.44	11.94	12.94	2.50 x 2.50	0.81	15.00	25.25	41.00	25.25	41.00	25.25	41.00	25.25	41.00	25.25	41.00	1.50	26.25	7	7
917	16.50	13.38	14.75	2.50 x 2.50	0.94	17.00	28.25	41.25	28.25	41.25	28.25	41.25	28.25	41.25	28.25	41.25	1.50	29.50	0.25	0.25
919	18.31	15.38	16.38	2.50 x 2.50	0.94	19.00	31.25	41.25	31.25	41.25	31.25	41.25	31.25	41.25	31.25	41.25	2.00	31.25	0.25	0.25
921	20.25	15.88	18.06	3.00 x 3.00	0.94	21.00	34.50	41.25	34.50	41.25	34.50	41.25	34.50	41.25	34.50	41.25	2.00	37.25	0.25	0.25
923	22.13	17.38	19.75	3.00 x 3.00	0.94	23.00	37.50	41.25	37.50	41.25	37.50	41.25	37.50	41.25	37.50	41.25	2.00	40.25	0.25	0.25
926	24.94	19.44	22.25	3.00 x 3.00	0.94	26.00	41.75	41.75	41.75	41.75	41.75	41.75	41.75	41.75	41.75	41.75	2.50	44.75	0.25	0.25
929	27.81	21.63	24.75	3.00 x 3.00	0.94	29.00	46.50	46.50	46.50	46.50	46.50	46.50	46.50	46.50	46.50	46.50	2.50	49.75	0.25	0.25
933	31.63	25.94	28.13	3.00 x 4.00	0.94	33.00	43.00	43.00	45.00	45.00	47.00	49.50	49.50	52.50	52.50	2.50	54.00	0.25	0.25	
937	35.31	28.81	31.50	3.00 x 4.00	1.06	37.00	47.88	47.88	50.50	50.50	53.00	53.00	55.75	55.75	58.50	58.50	2.50	60.00	0.25	0.25
941	39.06	32.69	34.94	3.50 x 5.00	1.06	41.00	52.75	52.75	55.25	55.25	58.25	58.25	61.00	61.00	64.25	64.25	2.50	65.50	0.31	0.25

SIZE	GC	H		HA	HB	HC	HD	HE	HF	HG	HH	HJ	HK	HN	HP	J	JA	K	KA	KB
		ARR. 1	ARR. 9																	
913	11.63	31.38▲	46.00▲	15.88	26.13	21.00	18.69	17.88	17.06	16.25	15.44	15.38	24.69	19.50	21.50	7.81	9.31	6.94	—	6.75
915	13.13	38.31▲	54.19▲	18.25	29.88	23.94	21.50	20.56	19.63	18.69	17.75	17.75	28.44	22.44	24.94	9.19	10.19	8.06	—	7.88
917	14.75	42.13▲	56.00▲	20.63	33.69	27.00	24.44	23.38	22.31	21.25	20.19	20.13	32.31	25.50	28.00	10.06	11.06	8.94	—	8.75
919	15.63	46.25▲	57.63▲	22.94	37.75	30.38	27.19	26.00	24.81	23.63	22.44	22.44	35.94	28.38	30.88	10.88	11.88	9.75	—	9.56
921	18.63	49.75	60.13	23.50	40.25	33.38	30.00	28.63	27.25	25.88	24.50	—	—	—	34.38	12.25	13.25	—	10.88	10.69
923	20.13	53.00	61.88	26.50	44.50	36.38	32.88	31.31	29.81	28.25	26.75	—	—	—	37.38	13.13	14.13	—	11.75	11.50
926	22.38	56.50	64.38	29.00	49.69	41.19	37.00	35.31	33.63	31.94	30.25	—	—	—	41.69	14.38	15.38	—	13.00	12.75
929	24.88	60.00	66.88	31.75	54.94	45.88	41.44	39.56	37.63	35.75	33.81	—	—	—	46.38	15.63	16.63	—	14.25	14.00
933	27.00	71.75	71.75	36.50	62.50	51.81	47.13	44.94	42.75	40.56	38.38	—	—	—	53.31	18.31	19.31	—	16.44	16.19
937	30.00	75.13	75.13	40.75	69.63	57.69	52.75	50.31	47.88	45.44	43.00	—	—	—	59.19	20.00	21.00	—	18.13	17.88
941	32.75	80.56	80.56	48.50	79.25	63.56	58.38	55.69	53.00	50.31	47.63	—	—	—	66.06	22.75	23.75	—	20.38	20.13

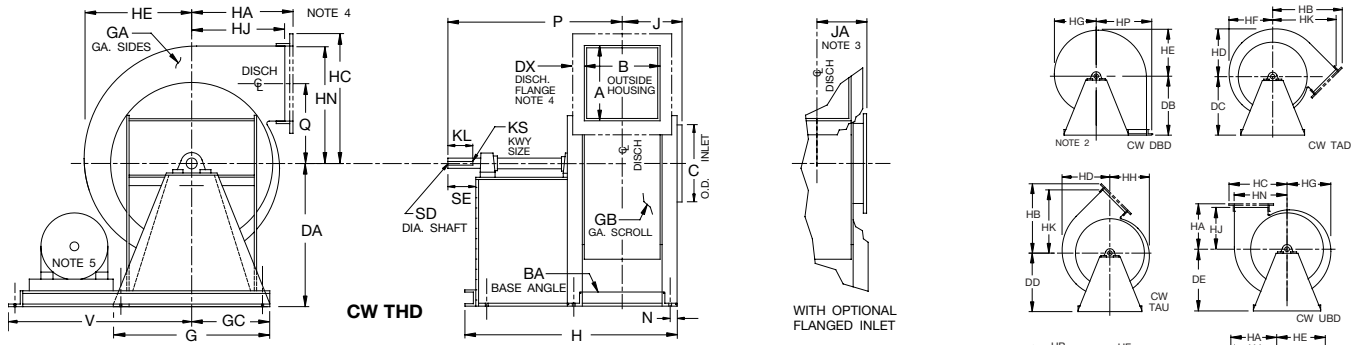
SIZE	KL	KS	L		M	N	P		Q	SD	SE	MAX. MOTOR FRAME SIZE - ARR. 9
			ARR. 1	ARR. 9			ARR. 1	ARR. 9				
913	6.63	0.50 x 0.25	15.50	30.13	10.63	0.88	30.94▲	45.56▲	13.25	2.187	7.38	286T
915	8.00	0.63 x 0.31	19.69▲	35.56▲	11.88	1.13	38.13▲	54.00▲	15.25	2.437	9.00	286T
917	8.00	0.63 x 0.31	21.75	35.63	13.50	1.13	41.06▲	54.94▲	17.25	2.687	9.00	326T
919	8.00	0.75 x 0.38	24.25	35.63	14.38	1.13	44.50▲	55.88▲	19.25	2.937	9.13	365T
921	8.00	0.75 x 0.38	25.19	35.56	17.13	1.38	46.63	57.00	21.25	2.937	9.13	365T
923	8.00	0.88 x 0.44	26.75	35.63	18.63	1.38	49.13	58.00	23.31	3.437	9.25	365T
926	8.00	1.00 x 0.50	27.75	35.63	20.88	1.38	51.50	59.38	26.25	3.937	9.38	405T
929	8.00	1.00 x 0.50	28.75	35.63	23.38	1.38	53.75	60.63	29.50	3.937	9.38	405T
933	8.00	1.00 x 0.50	35.13	35.13	25.50	1.88	62.81	62.81	33.50	4.437	9.38	405T
937	8.00	1.25 x 0.63	35.13	35.13	28.50	1.88	64.63	64.63	37.56	4.937	9.50	405T
941	8.00	1.25 x 0.63	35.06	35.06	31.00	2.38	67.31	67.31	41.56	5.437	9.50	405T

R1004909
R1004911
R1004917
R1004923

Dimensions are not to be used for construction. Certified drawings are available upon request.

Models MHA, MHO, MHR & MHP

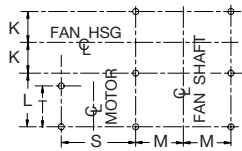
Arr. 9F: Class 45



NOTES:

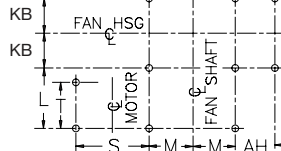
1. Clockwise (CW) rotation shown. Counterclockwise (CCW) rotation is similar but opposite.
2. Sizes 913 through 919 are rotatable. Sizes 921 through 941 are non-rotatable. All DBD discharge are non-rotatable.
3. Optional flanged inlet is shown. See R1004927 for dimensional data.
4. Punched outlet flange is optional on sizes 913 through 919 and standard on sizes 921 through 941. See drawing R1004932 for dimensional data.
5. Standard Arr. 9F motor location is on the left for CW rotation units, and on the right for CCW rotation units (unless otherwise specified).
6. For DBD punched outlet flange, see drawing R1004934.

**SIZES 913 – 919
(ALL DISCHARGES EXCEPT DBD)**



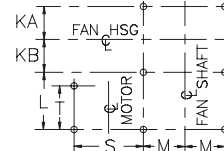
EIGHT 'BH' DIA. BASE HOLES
FOUNDATION PLAN

**SIZES 913 – 941
(DBD ONLY)**



TEN 'BH' DIA. BASE HOLES
FOUNDATION PLAN

**SIZES 921 – 941
(ALL DISCHARGES EXCEPT DBD)**



EIGHT 'BH' DIA. BASE HOLES
FOUNDATION PLAN

SIZE	A	AH	B	BA	BH	C	DA	DB	DC	DD	DE	DF	DG	DX	G	GA	GB	GC	H	
																			DBD	OTHERS
913	12.56	10.00	11.25	2.00 x 2.00	0.69	13.00	21.75	21.75	21.75	21.75	21.75	21.75	21.75	1.50	23.25	7	7	11.63	42.69	43.06
915	14.44	11.94	12.94	2.50 x 2.50	0.81	15.00	25.25	25.25	25.25	25.25	25.25	25.25	25.25	1.50	26.25	7	7	13.13	45.44	45.81
917	16.50	13.38	14.75	2.50 x 2.50	0.94	17.00	28.25	28.25	28.25	28.25	28.25	28.25	28.25	1.50	29.50	0.25	0.25	14.75	48.69	49.06
919	18.31	15.38	16.38	2.50 x 2.50	0.94	19.00	31.25	31.25	31.25	31.25	31.25	31.25	31.25	2.00	31.25	0.25	0.25	15.63	57.56	57.94
921	20.25	15.88	18.06	3.00 x 3.00	0.94	21.00	34.50	34.50	34.50	34.50	34.50	34.50	34.50	2.00	37.25	0.25	0.25	18.63	60.63	60.63
923	22.13	17.38	19.75	3.00 x 3.00	0.94	23.00	37.50	37.50	37.50	37.50	37.50	37.50	37.50	2.00	40.25	0.25	0.25	20.13	67.94	67.94
926	24.94	19.44	22.25	3.00 x 3.00	0.94	26.00	41.75	41.75	41.75	41.75	41.75	41.75	41.75	2.50	44.75	0.25	0.25	22.38	70.44	70.44
929	27.81	21.63	24.75	3.00 x 3.00	0.94	29.00	46.50	46.50	46.50	46.50	46.50	46.50	46.50	2.50	49.75	0.25	0.25	24.88	72.94	72.94
933	31.63	25.94	28.13	3.00 x 4.00	0.94	33.00	43.00	43.00	43.00	45.00	47.00	49.50	52.50	2.50	54.00	0.25	0.25	27.00	78.31	78.31
937	35.31	28.81	31.50	3.00 x 4.00	1.06	37.00	47.88	47.88	47.88	50.50	53.00	55.75	58.50	2.50	60.00	0.25	0.25	30.00	81.69	81.69
941	39.06	32.69	34.94	3.50 x 5.00	1.06	41.00	52.75	52.75	52.75	55.25	58.25	61.00	64.25	2.50	65.50	0.31	0.25	32.75	90.56	90.56

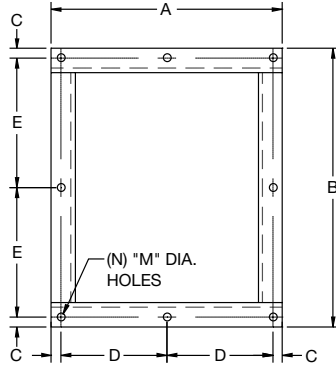
SIZE	HA	HB	HC	HD	HE	HF	HG	HH	HJ	HK	HN	HP	J	JA	K	KA	KB	KL	KS
915	18.25	29.88	23.94	21.50	20.56	19.63	18.69	17.75	17.75	28.44	22.44	24.94	9.19	10.19	8.06	—	7.88	6.00	0.63 x 0.31
917	20.63	33.69	27.00	24.44	23.38	22.31	21.25	20.19	20.13	32.31	25.50	28.00	10.06	11.06	8.94	—	8.75	6.63	0.63 x 0.31
919	22.94	37.75	30.38	27.19	26.00	24.81	23.63	22.44	22.44	35.94	28.38	30.88	10.88	11.88	9.75	—	9.56	8.00	0.75 x 0.38
921	23.50	40.25	33.38	30.00	28.63	27.25	25.88	24.50	—	—	—	34.38	12.25	13.25	—	10.88	10.69	8.00	0.75 x 0.38
923	26.50	44.50	36.38	32.88	31.31	29.81	28.25	26.75	—	—	—	37.38	13.13	14.13	—	11.75	11.50	9.25	0.88 x 0.44
926	29.00	49.69	41.19	37.00	35.31	33.63	31.94	30.25	—	—	—	41.69	14.38	15.38	—	13.00	12.75	9.25	1.00 x 0.50
929	31.75	54.94	45.88	41.44	39.56	37.63	35.75	33.81	—	—	—	46.38	15.63	16.63	—	14.25	14.00	9.25	1.00 x 0.50
933	36.50	62.50	51.81	47.13	44.94	42.75	40.56	38.38	—	—	—	53.31	18.31	19.31	—	16.44	16.19	9.25	1.00 x 0.50
937	40.75	69.63	57.69	52.75	50.31	47.88	45.44	43.00	—	—	—	59.19	20.00	21.00	—	18.13	17.88	9.25	1.25 x 0.63
941	48.50	79.25	63.56	58.38	55.69	53.00	50.31	47.63	—	—	—	66.06	22.75	23.75	—	20.38	20.13	9.25	1.25 x 0.63

SIZE	L		M	N	P		Q	S		SD	SE	T	V		MAX. MOTOR FRAME SIZE
	DBD	OTHERS			DBD	OTHERS		DBD	OTHERS				DBD	OTHERS	
913	25.75	25.75	10.63	0.88	40.38	40.56	13.25	34.75	34.75	2.187	6.75	23.50	46.75	46.75	326T
915	25.75	25.75	11.88	1.13	41.75	41.94	15.25	35.00	35.00	2.437	6.75	23.25	48.25	48.25	326T
917	27.25	27.38	13.50	1.13	45.00	45.38	17.25	39.13	39.13	2.687	7.63	24.88	54.00	54.00	365T
919	34.38	34.50	14.38	1.13	54.44	54.75	19.25	44.25	44.25	2.937	9.13	32.00	60.00	60.00	405T
921	34.50	34.50	17.13	1.38	55.94	55.94	21.25	44.50	44.50	2.937	9.13	31.75	63.00	63.00	405T
923	40.13	40.13	18.63	1.38	63.75	63.75	23.31	48.00	48.00	3.437	10.50	37.38	68.00	68.00	445T
926	40.13	40.13	20.88	1.38	65.13	65.13	26.25	48.00	48.00	3.937	10.63	37.38	70.25	70.25	445T
929	40.13	40.13	23.38	1.38	66.38	66.38	29.50	48.00	48.00	3.937	10.63	37.38	72.75	72.75	445T
933	40.13	40.13	25.50	1.88	69.06	69.06	33.50	48.00	48.00	4.437	10.63	36.88	74.88	74.88	445T
937	40.13	40.13	28.50	1.88	70.88	70.88	37.56	48.00	48.00	4.937	10.75	36.88	77.88	77.88	445T
941	43.50	43.50	31.00	2.38	77.00	77.00	41.56	48.25	48.25	5.437	10.75	39.75	80.63	80.63	445T

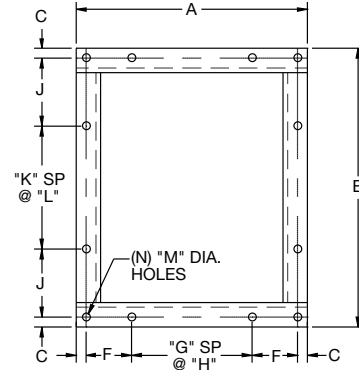
R1004910
R1004911
R1004918
R1004924

Dimensions are not to be used for construction. Certified drawings are available upon request.

Outlet Flanges



SIZES 905 - 917



SIZES 919 - 960

Class 22

FAN SIZE	A	B	C	D	E	F	G	H	J	K	L	M	N	ANGLE SIZE
905	7.00	7.38	0.50	—	—	—	—	—	—	—	—	0.38	4	1.25 x 1.25
907	8.56	9.31	0.50	—	—	—	—	—	—	—	—	0.38	4	1.25 x 1.25
909	10.19	11.13	0.50	4.59	5.06	—	—	—	—	—	—	0.38	8	1.25 x 1.25
911	12.44	13.56	0.63	5.59	6.16	—	—	—	—	—	—	0.44	8	1.50 x 1.50
913	14.13	15.44	0.63	6.44	7.09	—	—	—	—	—	—	0.44	8	1.50 x 1.50
915	15.81	17.31	0.63	7.28	8.03	—	—	—	—	—	—	0.44	8	1.50 x 1.50
917	17.50	19.25	0.63	8.13	9.00	—	—	—	—	—	—	0.44	8	1.50 x 1.50
919	20.13	22.06	0.88	—	—	6.13	1	6.13	6.66	1	7.00	0.56	12	2.00 x 2.00
921	21.81	24.00	0.88	—	—	6.69	1	6.69	7.44	1	7.38	0.56	12	2.00 x 2.00
923	23.63	26.00	0.88	—	—	7.31	1	7.25	8.06	1	8.13	0.56	12	2.00 x 2.00
926	27.13	29.81	1.13	—	—	8.31	1	8.25	6.91	2	6.88	0.56	14	2.50 x 2.50
929	29.63	32.69	1.13	—	—	9.13	1	9.13	7.59	2	7.63	0.56	14	2.50 x 2.50
933	33.00	36.50	1.13	—	—	7.69	2	7.69	8.63	2	8.50	0.56	16	2.50 x 2.50
937	36.50	40.19	1.13	—	—	8.56	2	8.56	9.47	2	9.50	0.56	16	2.50 x 2.50
941	39.81	43.94	1.13	—	—	9.41	2	9.38	11.09	2	9.75	0.56	16	2.50 x 2.50
945	44.19	48.75	1.38	—	—	8.34	3	8.25	10.25	3	8.50	0.56	20	3.00 x 3.00
949	47.50	52.63	1.38	—	—	8.88	3	9.00	10.69	3	9.50	0.56	20	3.00 x 3.00
954	51.50	57.13	1.38	—	—	9.75	3	9.75	9.19	4	9.00	0.56	22	3.00 x 3.00
960	56.75	63.00	1.38	—	—	10.88	3	10.75	10.13	4	10.00	0.56	22	3.00 x 3.00

R1004926

Class 32

FAN SIZE	A	B	C	D	E	F	G	H	J	K	L	M	N	ANGLE SIZE
911	12.56	13.69	0.63	5.66	6.22	—	—	—	—	—	—	0.44	8	1.50 x 1.50
913	14.25	15.56	0.63	6.50	7.16	—	—	—	—	—	—	0.44	8	1.50 x 1.50
915	15.94	17.44	0.63	7.34	8.09	—	—	—	—	—	—	0.44	8	1.50 x 1.50
917	17.63	19.38	0.63	8.19	9.06	—	—	—	—	—	—	0.44	8	1.50 x 1.50
919	20.25	22.19	0.88	—	—	6.19	1	6.13	6.66	1	7.13	0.56	12	2.00 x 2.00
921	21.94	24.13	0.88	—	—	6.72	1	6.75	7.44	1	7.50	0.56	12	2.00 x 2.00
923	23.75	26.00	0.88	—	—	7.31	1	7.38	8.06	1	8.13	0.56	12	2.00 x 2.00
926	27.25	29.94	1.13	—	—	8.31	1	8.38	6.91	2	6.94	0.56	14	2.50 x 2.50
929	29.75	32.81	1.13	—	—	9.13	1	9.25	7.66	2	7.63	0.56	14	2.50 x 2.50
933	33.13	36.63	1.13	—	—	7.69	2	7.75	8.63	2	8.56	0.56	16	2.50 x 2.50
937	36.50	40.31	1.13	—	—	8.56	2	8.56	9.53	2	9.50	0.56	16	2.50 x 2.50
941	39.81	44.06	1.13	—	—	9.28	2	9.50	11.16	2	9.75	0.56	16	2.50 x 2.50
945	44.19	48.88	1.38	—	—	8.25	3	8.31	9.94	3	8.75	0.56	20	3.00 x 3.00
949	47.50	52.63	1.38	—	—	8.88	3	9.00	9.94	3	10.00	0.56	20	3.00 x 3.00

R1004930

Class 45

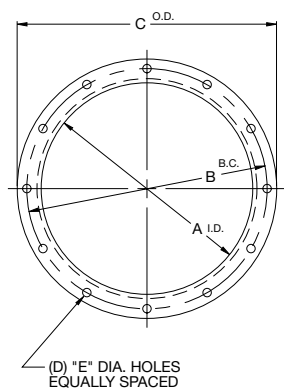
FAN SIZE	A	B	C	D	E	F	G	H	J	K	L	M	N	ANGLE SIZE
913	14.25	15.56	0.63	6.50	7.16	—	—	—	—	—	—	0.44	8	1.50 x 1.50
915	15.94	17.44	0.63	7.34	8.09	—	—	—	—	—	—	0.44	8	1.50 x 1.50
917	17.75	19.50	0.63	8.25	9.13	—	—	—	—	—	—	0.44	8	1.50 x 1.50
919	20.38	22.31	0.88	—	—	6.25	1	6.13	6.72	1	7.13	0.56	12	2.00 x 2.00
921	22.06	24.25	0.88	—	—	6.78	1	6.75	7.50	1	7.50	0.56	12	2.00 x 2.00
923	23.75	26.13	0.88	—	—	7.31	1	7.38	8.13	1	8.13	0.56	12	2.00 x 2.00
926	27.25	29.94	1.13	—	—	8.31	1	8.38	6.91	2	6.94	0.56	14	2.50 x 2.50
929	29.75	32.81	1.13	—	—	9.13	1	9.25	7.66	2	7.63	0.56	14	2.50 x 2.50
933	33.13	36.63	1.13	—	—	7.69	2	7.75	8.63	2	8.56	0.56	16	2.50 x 2.50
937	36.50	40.13	1.13	—	—	8.56	2	8.56	9.53	2	9.50	0.56	16	2.50 x 2.50
941	39.94	44.06	1.13	—	—	9.34	2	9.50	11.16	2	9.75	0.56	16	2.50 x 2.50

R1004932

Dimensions are not to be used for construction. Certified drawings are available upon request.

Inlet Flanges & Inlet Boxes

Inlet Flange

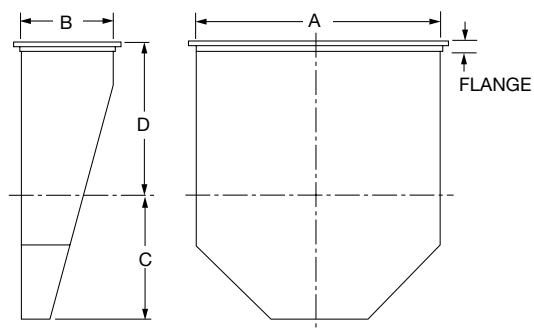


FAN SIZE	A	B	C	D	E
905	5.06	6.31	7.06	6	0.28
907	7.13	8.50	9.63	6	0.38
909	9.13	10.63	11.63	6	0.44
911	11.13	12.75	13.63	6	0.44
913	13.13	14.81	16.06	12	0.44
915	15.13	16.81	18.06	12	0.44
917	17.13	18.81	20.19	12	0.44
919	19.13	20.81	22.19	12	0.44
921	21.13	22.81	24.19	16	0.56
923	23.13	24.81	26.19	16	0.56

FAN SIZE	A	B	C	D	E
926	26.13	28.50	30.13	16	0.56
929	29.13	31.50	33.13	16	0.56
933	33.13	35.50	37.13	24	0.56
937	37.13	39.50	41.13	24	0.56
941	41.13	43.50	45.13	32	0.56
945	45.13	47.50	49.13	32	0.56
949	49.13	51.50	53.13	32	0.56
954	54.63	57.38	59.63	32	0.81
960	60.63	63.38	65.63	32	0.81

R1004927

Inlet Boxes



FAN SIZE	A	B	C			D	INLET AREA (FT ²)	FLANGE
			CL 22	CL 32	CL 45			
907	12.75	4.13	8.13	—	—	12.00	0.37	1.50 x 1.50
909	16.38	5.38	9.13	—	—	13.00	0.61	1.50 x 1.50
911	19.88	6.50	10.13	10.19	—	14.00	0.90	1.50 x 1.50
913	23.50	7.75	11.13	11.19	11.19	15.00	1.26	1.50 x 1.50
915	27.00	8.75	12.13	12.19	12.19	16.00	1.64	1.50 x 1.50
917	30.38	9.88	13.13	13.19	13.25	17.00	2.08	1.50 x 1.50
919	34.13	11.13	14.13	14.19	14.25	18.00	2.64	2.00 x 2.00
921	37.75	12.25	15.13	15.19	15.25	19.00	3.21	2.00 x 2.00
923	41.38	13.38	16.19	16.25	16.25	20.00	3.84	2.00 x 2.00
926	46.50	15.13	17.69	17.75	17.25	21.50	4.89	2.50 x 2.50
929	52.00	16.88	19.19	19.25	19.25	23.00	6.10	2.50 x 2.50
933	59.00	19.13	21.19	21.25	21.25	25.00	7.84	2.50 x 2.50
937	66.50	21.50	23.25	23.25	23.25	27.00	9.93	2.50 x 2.50
941	73.50	23.88	25.25	25.25	25.31	29.00	12.19	2.50 x 2.50
945	80.63	26.50	27.25	27.25	—	31.00	14.84	2.50 x 2.50
949	87.63	28.75	29.25	29.25	—	33.00	17.50	3.50 x 3.50
954	96.75	31.75	32.31	—	—	36.00	21.33	3.50 x 3.50
960	107.38	35.25	35.31	—	—	39.00	26.29	3.50 x 3.50

CL. 22 BC1002125B
 CL. 32 BC1002126B
 CL. 45 BC1002127B

Dimensions are not to be used for construction. Certified drawings are available upon request.

Models RBF

Fiberglass

Sizes

10" to 57" impeller diameters (254 mm to 1,448 mm)

Performance

Airflow to 38,300 CFM (65,072 m³/hour)

Static pressure to 18" w.g. (4,475 Pa)



See Catalog 750 for more information



Models CA | CABD

Cast Aluminum

Sizes

8" to 18" housing sizes (203 mm to 457 mm)

4" to 10" inlet diameters (101 mm to 254 mm)

Multiple impeller sizes

Performance

Airflow to 2,800 CFM (4,757 m³/hour)

Static pressure to 22" w.g. (5,469 Pa)



See Catalog 916 for more information



Model CA
Direct Drive



Model CABD
Belt Driven

Models CPB

Cast Iron

Sizes

6.75" to 14" impeller diameters (171 mm to 355 mm)

Performance

Airflow to 2,000 CFM (3,398 m³/hour)

Static pressure to 12" w.g. (2,983 Pa)



See Catalog 920 for more information



Models

MHO | MHR | MHW | MHA | MHP



Fans shall be Model MHO/MHR/MHW/MHA/MHP Industrial Fans, as manufactured by Aerovent, Minneapolis, Minnesota.

PERFORMANCE — Fans shall be tested in accordance with AMCA 211 test code for air moving devices and shall be guaranteed by the manufacturer to deliver rated published performance levels.

MHO, MHR, MHW and MHA fans shall be licensed to bear the AMCA certified ratings seal for air and fan efficiency grade (FEG).

HOUSING — Housings shall be continuously welded heavy gauge steel, suitably braced to prevent pulsation. Housings with lock seams or partially welded construction are not acceptable. Class 22 housings shall be constructed of a minimum 12 gauge through 0.31" steel. Class 32 and Class 45 housings shall be constructed of at least 7 gauge through 0.31" steel. Units having impeller diameters of 33" (size 919) and smaller shall be built with adjustable discharge housings which can be field rotated to any of the eight standard positions. Fans with impeller diameters larger than 33" shall be built with a fixed discharge housing and have a flanged type discharge to provide unit rigidity.

IMPELLER — All class 22 fan impellers shall be constructed of a minimum 10 gauge through 0.75" thick steel. Class 32 and Class 45 fan impellers shall be constructed of a minimum 7 gauge through 0.75" steel. The spider hubs for MHO impellers shall be fabricated steel or cast steel material. All industrial fan impellers shall be continuously welded.

SHAFT — Shafts shall be AISI 1045 hot rolled steel, accurately turned, ground, polished, and ring gauged for accuracy. Shafts shall be sized for the first critical speed of at least 1.43 times the maximum speed.

BEARINGS — Bearings shall be heavy-duty, grease lubricated, anti-friction ball or roller, self-aligning, pillow block type and selected for a minimum average bearing life (ABMA L-50) in excess of 200,000 hours at the maximum fan RPM.

V-BELT DRIVE — Fan and motor sheaves shall be cast iron fixed pitched drives for service over 10 HP. Small drives may use variable pitch cast iron motor sheaves. The minimum belt service factor is 120% for drives through 25 HP and 150% over 25 HP.

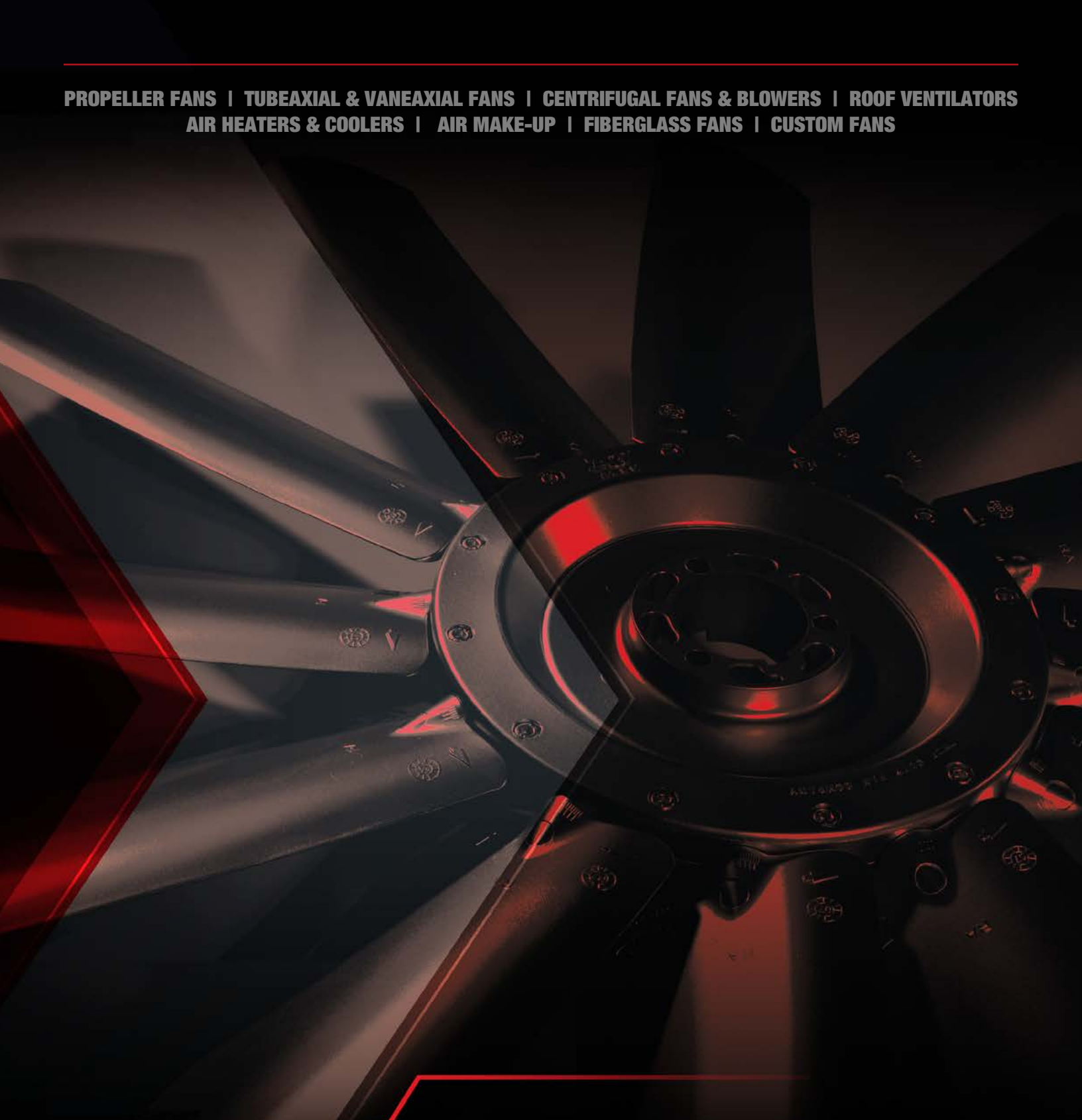
FINISH AND COATING — The entire fan assembly, excluding the shaft, shall be thoroughly degreased and deburred before application of a rust-preventative primer. After the fan is completely assembled, a finish coat of paint shall be applied to the entire assembly. The fan shaft shall be coated with a petroleum-based rust protectant. Aluminum components shall be unpainted.

ACCESSORIES — When specified, accessories such as inlet vanes, outlet dampers, companion inlet and outlet flanges, inlet bells, inlet boxes, shaft guards, and impeller and scroll liners shall be provided by Aerovent to maintain one source responsibility.

FACTORY RUN TEST — All fans prior to shipment shall be completely assembled and test run as a unit at the specified operating speed or maximum RPM allowed for the particular construction type. Each impeller shall be statically and dynamically balanced in accordance with ANSI/AMCA 204-96 "Balance Quality and Vibration Levels for Fans" to Fan Application Category BV-3, Balance Quality Grade G6.3. Balance readings shall be taken by electronic type equipment in the axial, vertical, and horizontal directions on each of the bearings. Records shall be maintained and a written copy shall be available upon request.

GUARANTEE — The manufacturer shall guarantee the workmanship and materials for its fans for at least one (1) year from startup or eighteen (18) months from shipment, whichever occurs first.

**PROPELLER FANS | TUBEAXIAL & VANEAXIAL FANS | CENTRIFUGAL FANS & BLOWERS | ROOF VENTILATORS
AIR HEATERS & COOLERS | AIR MAKE-UP | FIBERGLASS FANS | CUSTOM FANS**



AEROVENT 
INDUSTRIAL VENTILATION SYSTEMS

AEROVENT.COM

5959 Trenton Lane N | Minneapolis, MN 55442 | Phone: 763-551-7500 | Fax: 763-551-7501