

# ELC6375DAX

Drainable Combination Louver  
Extruded Aluminum

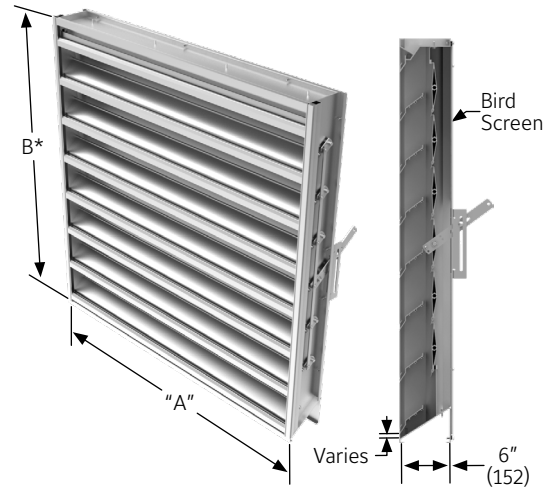


## APPLICATION

The ELC6375DAX is an 6" deep extruded aluminum, combination louver. It includes a fixed front stationary blade and a rear adjustable blade. These blades can be operated closed when the occupant requires a tight air shut off for protection of air intake and exhaust openings in building exterior walls. This louver is designed with a gutter system channeling water from the blades to downspouts in the jamps, where water is exhausted out the front of the louver when rear blades are open.

## STANDARD CONSTRUCTION

<b>Frame</b>	6" (152) deep, 6063T6 extruded aluminum with .125" (3.2) nominal wall thickness. Downspouts and caulking surfaces provided.
<b>Blades</b>	Front stationary drainable blades – 6063T6 extruded aluminum with .081" (2.1) nominal wall thickness, positioned at 37 1/2° angle and spaced approximately 6 1/8" (156) on center. Rear adjustable airfoil blades – 6063T6 extruded aluminum, .070" (1.8) nominal wall thickness.
<b>Screen</b>	5/8" x .040" (16 x 1) expanded, flattened aluminum bird screen in removable frame. Screen adds approximately 1/2" (13) to louver depth.
<b>Seals</b>	Extruded vinyl blade edge seals on rear adjustable blades and flexible, compressible aluminum jamb seals.
<b>Linkage</b>	Concealed in frame.
<b>Bearings</b>	Stainless steel sleeve pressed into frame.
<b>Axles</b>	1/2" (13) plated steel hex.
<b>Actuator</b>	Locking louver quadrant.
<b>Finish</b>	Mill.
<b>Minimum Size</b>	12"w x 12"h (305 x 305)
<b>Approximate Shipping Weight</b>	8 lbs. per sq. ft. (39.1 kg per m <sup>2</sup> )
<b>Maximum Factory Assembly Size</b>	Shall be 120"w x 90"h (3038 x 2286) or 90"w x 120"h (2286 x 3038). Maximum operating section width is 60" (1524). Louvers larger than the maximum factory assembly size will require field assembly of smaller sections.



YEAR LIMITED WARRANTY



## VARIATIONS

Variations to the basic design of these louvers are available at additional cost. They include:

- ▶ Extended sill.
  - ▶ Hinged frame.
  - ▶ Front or rear security bars.
  - ▶ Filter racks.
  - ▶ Installation angles.
  - ▶ Blank off panels.
  - ▶ Frame caps.
  - ▶ Integral flange frames.
  - ▶ A variety of bird and insect screens.
  - ▶ A selection of manual, electric, and pneumatic actuators.
  - ▶ Please provide rough opening dimensions for "A" and "B" dimensions. unless ordered as actual size, the louver will be provided 1/2" (12) smaller than "A" and "B" dimensions provided.
  - ▶ Optional finishes available at additional cost: Prime coat, 50% PVDF (modified fluoropolymer), Epoxy, Pearledize, 70% PVDF, Clear and Anodized finishes. (Some variation in anodize color consistency is possible).
- Consult Ruskin for other special requirements.

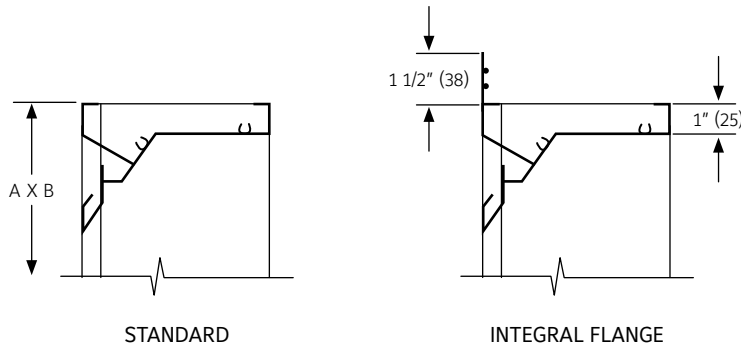
## FEATURES

- ▶ 47% Free Area.
- ▶ Published performance ratings based on testing in accordance with AMCA Publication 511.
- ▶ High performance frame system.
- ▶ Concealed blade linkage is protected from weather exposure and reduces required installation depth.
- ▶ Adjustable rear blades.
- ▶ Blade and jamb seals provide tight closure.
- ▶ Beginning point of water penetration at .01 oz. /sq. ft. is 1169 fpm (356 m/min).
- ▶ A drain gutter in each front stationary blade minimizes water cascade between blades.
- ▶ Architecturally styled hidden mullions.

### NOTE:

- Dimensions in inches, parenthesis ( ) indicate millimeters.
- Units furnished 1/4" (6) smaller than given opening dimensions.

# FRAME CONSTRUCTION



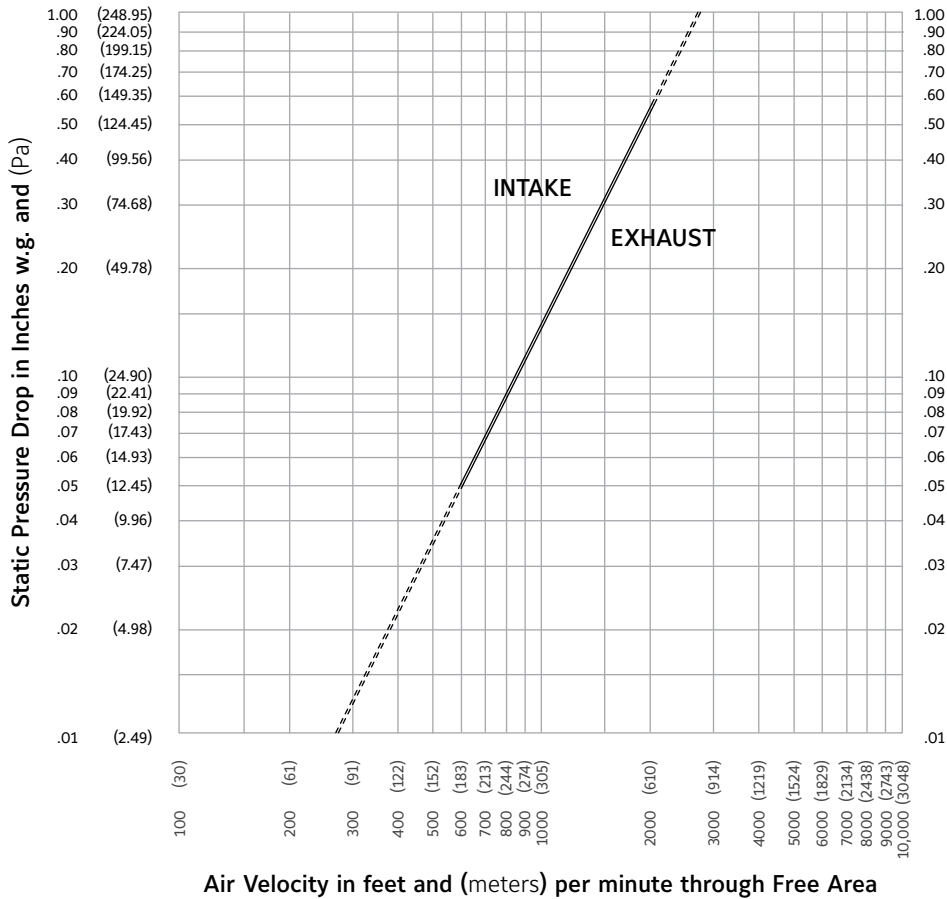
# FREE AREA GUIDE

Free Area Guide shows free area in ft<sup>2</sup> and m<sup>2</sup> for various sizes of ELC6375DAX.

## Width – Inches and Meters

HEIGHT	12	18	24	30	36	42	48	54	60	66	72	78	84	90	96	102	108	114	120
	0.3	0.45	0.6	0.75	0.9	1.05	1.2	1.35	1.5	1.65	1.8	1.95	2.1	2.25	2.4	2.55	2.7	2.85	3
<b>12</b>	<b>0.15</b>	<b>0.24</b>	<b>0.32</b>	<b>0.41</b>	<b>0.50</b>	<b>0.59</b>	<b>0.68</b>	<b>0.75</b>	<b>0.85</b>	<b>0.94</b>	<b>1.03</b>	<b>1.12</b>	<b>1.20</b>	<b>1.29</b>	<b>1.38</b>	<b>1.47</b>	<b>1.59</b>	<b>1.65</b>	<b>1.73</b>
0.30	0.01	0.02	0.03	0.04	0.05	0.05	0.06	0.07	0.08	0.09	0.10	0.10	0.11	0.12	0.13	0.14	0.14	0.15	0.16
<b>18</b>	<b>0.39</b>	<b>0.63</b>	<b>0.87</b>	<b>1.10</b>	<b>1.34</b>	<b>1.57</b>	<b>1.81</b>	<b>2.05</b>	<b>2.28</b>	<b>2.52</b>	<b>2.75</b>	<b>2.99</b>	<b>3.23</b>	<b>3.46</b>	<b>3.70</b>	<b>3.93</b>	<b>4.17</b>	<b>4.41</b>	<b>4.64</b>
0.45	0.03	0.06	0.08	0.10	0.12	0.15	0.17	0.19	0.21	0.23	0.26	0.28	0.30	0.32	0.34	0.37	0.39	0.41	0.43
<b>24</b>	<b>0.64</b>	<b>1.02</b>	<b>1.41</b>	<b>1.79</b>	<b>2.18</b>	<b>2.56</b>	<b>2.94</b>	<b>3.33</b>	<b>3.71</b>	<b>4.09</b>	<b>4.48</b>	<b>4.86</b>	<b>5.25</b>	<b>5.63</b>	<b>6.01</b>	<b>6.40</b>	<b>6.78</b>	<b>7.17</b>	<b>7.55</b>
0.60	0.06	0.10	0.13	0.17	0.20	0.24	0.27	0.31	0.35	0.38	0.42	0.45	0.49	0.52	0.56	0.60	0.63	0.67	0.70
<b>30</b>	<b>0.89</b>	<b>1.42</b>	<b>1.95</b>	<b>2.48</b>	<b>3.01</b>	<b>3.55</b>	<b>4.08</b>	<b>4.61</b>	<b>5.14</b>	<b>5.67</b>	<b>6.20</b>	<b>6.74</b>	<b>7.27</b>	<b>7.80</b>	<b>8.33</b>	<b>8.86</b>	<b>9.39</b>	<b>9.93</b>	<b>10.46</b>
0.75	0.08	0.13	0.18	0.23	0.28	0.33	0.38	0.43	0.48	0.53	0.58	0.63	0.68	0.73	0.77	0.82	0.87	0.92	0.97
<b>36</b>	<b>1.13</b>	<b>1.81</b>	<b>2.49</b>	<b>3.17</b>	<b>3.85</b>	<b>4.53</b>	<b>5.21</b>	<b>5.89</b>	<b>6.57</b>	<b>7.25</b>	<b>7.93</b>	<b>8.61</b>	<b>9.29</b>	<b>9.97</b>	<b>10.65</b>	<b>11.33</b>	<b>12.01</b>	<b>12.69</b>	<b>13.37</b>
0.90	0.11	0.17	0.23	0.29	0.36	0.42	0.48	0.55	0.61	0.67	0.74	0.80	0.86	0.93	0.99	1.05	1.12	1.18	1.24
<b>42</b>	<b>1.38</b>	<b>2.21</b>	<b>3.03</b>	<b>3.86</b>	<b>4.69</b>	<b>5.52</b>	<b>6.34</b>	<b>7.17</b>	<b>8.00</b>	<b>8.83</b>	<b>9.65</b>	<b>10.48</b>	<b>11.31</b>	<b>12.14</b>	<b>12.96</b>	<b>13.79</b>	<b>14.62</b>	<b>15.45</b>	<b>16.27</b>
1.05	0.13	0.21	0.28	0.36	0.44	0.51	0.59	0.67	0.74	0.82	0.90	0.97	1.05	1.13	1.21	1.28	1.36	1.44	1.51
<b>48</b>	<b>1.63</b>	<b>2.60</b>	<b>3.58</b>	<b>4.55</b>	<b>5.53</b>	<b>6.50</b>	<b>7.48</b>	<b>8.45</b>	<b>9.43</b>	<b>10.40</b>	<b>11.38</b>	<b>12.36</b>	<b>13.33</b>	<b>14.31</b>	<b>15.28</b>	<b>16.26</b>	<b>17.23</b>	<b>18.21</b>	<b>19.18</b>
1.20	0.15	0.24	0.33	0.42	0.51	0.60	0.70	0.79	0.88	0.97	1.06	1.15	1.24	1.33	1.42	1.51	1.60	1.69	1.78
<b>54</b>	<b>1.87</b>	<b>3.00</b>	<b>4.12</b>	<b>5.24</b>	<b>6.37</b>	<b>7.49</b>	<b>8.61</b>	<b>9.74</b>	<b>10.86</b>	<b>11.98</b>	<b>13.10</b>	<b>14.23</b>	<b>15.35</b>	<b>16.47</b>	<b>17.60</b>	<b>18.72</b>	<b>19.84</b>	<b>20.97</b>	<b>22.09</b>
1.35	0.17	0.28	0.38	0.49	0.59	0.70	0.80	0.91	1.01	1.11	1.22	1.32	1.43	1.53	1.64	1.74	1.85	1.95	2.05
<b>60</b>	<b>1.98</b>	<b>3.17</b>	<b>4.35</b>	<b>5.54</b>	<b>6.73</b>	<b>7.92</b>	<b>9.10</b>	<b>10.29</b>	<b>11.48</b>	<b>12.67</b>	<b>13.85</b>	<b>15.04</b>	<b>16.23</b>	<b>17.42</b>	<b>18.60</b>	<b>19.79</b>	<b>20.98</b>	<b>22.17</b>	<b>23.35</b>
1.50	0.18	0.29	0.40	0.52	0.63	0.74	0.85	0.96	1.07	1.18	1.29	1.40	1.51	1.62	1.73	1.84	1.95	2.06	2.17
<b>66</b>	<b>2.23</b>	<b>3.56</b>	<b>4.90</b>	<b>6.238</b>	<b>7.57</b>	<b>8.90</b>	<b>10.24</b>	<b>11.57</b>	<b>12.91</b>	<b>14.24</b>	<b>15.58</b>	<b>16.92</b>	<b>18.25</b>	<b>19.59</b>	<b>20.92</b>	<b>22.26</b>	<b>23.59</b>	<b>24.93</b>	<b>26.26</b>
1.65	0.21	0.33	0.46	0.58	0.70	0.83	0.95	1.08	1.20	1.32	1.45	1.57	1.70	1.82	1.95	2.07	2.19	2.32	2.44
<b>72</b>	<b>2.47</b>	<b>3.96</b>	<b>5.44</b>	<b>6.92</b>	<b>8.41</b>	<b>9.89</b>	<b>11.37</b>	<b>12.86</b>	<b>14.34</b>	<b>15.82</b>	<b>17.30</b>	<b>18.79</b>	<b>20.27</b>	<b>21.75</b>	<b>23.24</b>	<b>24.72</b>	<b>26.20</b>	<b>27.69</b>	<b>29.17</b>
1.80	0.23	0.37	0.51	0.64	0.78	0.92	1.06	1.20	1.33	1.47	1.61	1.75	1.89	2.02	2.16	2.30	2.44	2.57	2.71
<b>78</b>	<b>2.72</b>	<b>4.35</b>	<b>5.98</b>	<b>7.61</b>	<b>9.24</b>	<b>10.87</b>	<b>12.51</b>	<b>14.14</b>	<b>15.77</b>	<b>17.40</b>	<b>19.03</b>	<b>20.66</b>	<b>22.29</b>	<b>23.92</b>	<b>25.55</b>	<b>27.19</b>	<b>28.82</b>	<b>30.45</b>	<b>32.08</b>
1.95	0.25	0.40	0.56	0.71	0.86	1.01	1.16	1.31	1.47	1.62	1.77	1.92	2.07	2.22	2.38	2.53	2.68	2.83	2.98
<b>84</b>	<b>2.97</b>	<b>4.74</b>	<b>6.52</b>	<b>8.30</b>	<b>10.08</b>	<b>11.86</b>	<b>13.64</b>	<b>15.42</b>	<b>17.20</b>	<b>18.98</b>	<b>20.76</b>	<b>22.53</b>	<b>24.31</b>	<b>26.09</b>	<b>27.87</b>	<b>29.65</b>	<b>31.43</b>	<b>33.21</b>	<b>34.99</b>
2.10	0.28	0.44	0.61	0.77	0.94	1.10	1.27	1.43	1.60	1.76	1.93	2.10	2.26	2.43	2.59	2.76	2.92	3.09	3.25
<b>90</b>	<b>3.21</b>	<b>5.14</b>	<b>7.07</b>	<b>8.99</b>	<b>10.92</b>	<b>12.85</b>	<b>14.77</b>	<b>16.70</b>	<b>18.63</b>	<b>20.55</b>	<b>22.48</b>	<b>24.41</b>	<b>26.33</b>	<b>28.26</b>	<b>30.19</b>	<b>32.12</b>	<b>34.04</b>	<b>35.97</b>	<b>37.90</b>
2.25	0.30	0.48	0.66	0.84	1.02	1.19	1.37	1.55	1.73	1.91	2.09	2.27	2.45	2.63	2.81	2.99	3.17	3.35	3.52
<b>96</b>	<b>3.46</b>	<b>5.53</b>	<b>7.61</b>	<b>9.68</b>	<b>11.76</b>	<b>13.83</b>	<b>15.91</b>	<b>17.98</b>	<b>20.06</b>	<b>22.13</b>	<b>24.21</b>	<b>26.28</b>	<b>28.36</b>	<b>30.43</b>	<b>32.50</b>	<b>34.58</b>	<b>36.65</b>	<b>38.73</b>	<b>40.80</b>
2.40	0.32	0.51	0.71	0.90	1.09	1.29	1.48	1.67	1.87	2.06	2.25	2.44	2.64	2.83	3.02	3.22	3.41	3.60	3.79
<b>102</b>	<b>3.70</b>	<b>5.93</b>	<b>8.15</b>	<b>10.37</b>	<b>12.60</b>	<b>14.82</b>	<b>17.04</b>	<b>19.26</b>	<b>21.49</b>	<b>23.71</b>	<b>25.93</b>	<b>28.15</b>	<b>30.38</b>	<b>32.6</b>	<b>34.82</b>	<b>37.04</b>	<b>39.27</b>	<b>41.49</b>	<b>43.71</b>
2.55	0.34	0.55	0.76	0.96	1.17	1.38	1.58	1.79	2.00	2.20	2.41	2.62	2.82	3.03	3.24	3.45	3.65	3.86	4.07
<b>108</b>	<b>3.95</b>	<b>6.32</b>	<b>8.69</b>	<b>11.06</b>	<b>13.43</b>	<b>15.80</b>	<b>18.17</b>	<b>20.54</b>	<b>22.92</b>	<b>25.29</b>	<b>27.66</b>	<b>30.03</b>	<b>32.40</b>	<b>34.77</b>	<b>37.14</b>	<b>39.51</b>	<b>41.88</b>	<b>44.25</b>	<b>46.62</b>
2.70	0.37	0.59	0.81	1.03	1.25	1.47	1.69	1.91	2.13	2.35	2.57	2.79	3.01	3.23	3.45	3.67	3.89	4.12	4.34
<b>114</b>	<b>4.20</b>	<b>6.72</b>	<b>9.23</b>	<b>11.75</b>	<b>14.27</b>	<b>16.79</b>	<b>19.31</b>	<b>21.83</b>	<b>24.34</b>	<b>26.86</b>	<b>29.38</b>	<b>31.90</b>	<b>34.42</b>	<b>36.94</b>	<b>39.46</b>	<b>41.97</b>	<b>44.49</b>	<b>47.01</b>	<b>49.53</b>
2.85	0.39	0.62	0.86	1.09	1.33	1.56	1.80	2.03	2.26	2.50	2.73	2.97	3.20	3.44	3.67	3.90	4.14	4.37	4.61
<b>120</b>	<b>4.44</b>	<b>7.11</b>	<b>9.78</b>	<b>12.44</b>	<b>15.11</b>	<b>17.78</b>	<b>20.44</b>	<b>23.11</b>	<b>25.77</b>	<b>28.44</b>	<b>31.11</b>	<b>33.77</b>	<b>36.44</b>	<b>39.11</b>	<b>41.77</b>	<b>44.44</b>	<b>47.10</b>	<b>49.77</b>	<b>52.44</b>
3.00	0.41	0.66	0.91	1.16	1.41	1.65	1.90	2.15	2.40	2.64	2.89	3.14	3.39	3.64	3.88	4.13	4.38	4.63	4.88

## PRESSURE DROP



Ratings do not include the effect of a bird screen.

## PERFORMANCE DATA

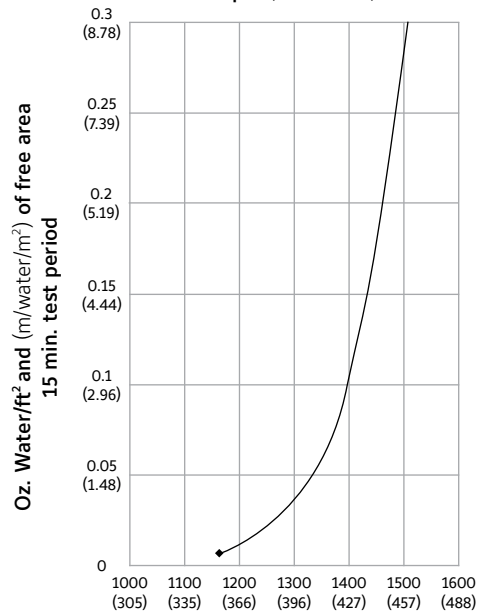
AMCA Standard 500 provides a reasonable basis for testing and rating louvers. Testing to AMCA 500 is performed under a certain set of laboratory conditions. This does not guarantee that other conditions will not occur in the actual environment where louvers must operate.

The louver system should be designed with a reasonable safety factor for louver performance. To ensure protection from water carry-over, design with a performance level somewhat below maximum desired pressure drop and .01 oz./sq. ft. of water penetration.



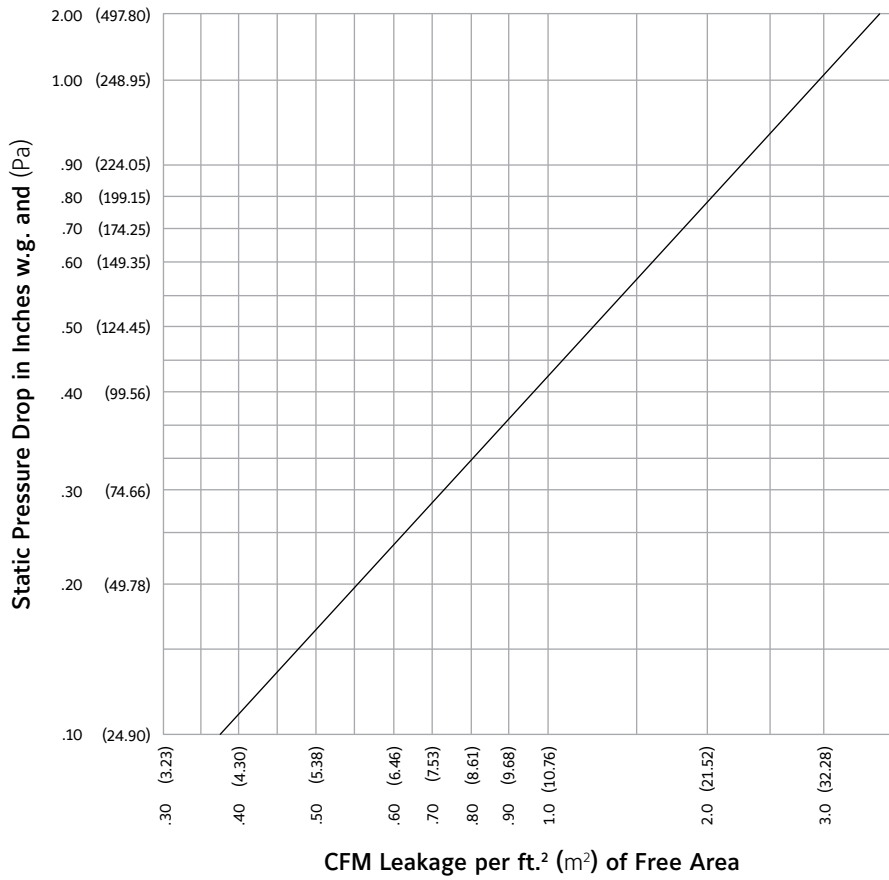
Ruskin Manufacturing Company certifies that the ELC6375DAX louvers shown herein are licensed to bear the AMCA Seal. The ratings shown are based on tests and procedures performed in accordance with AMCA Publication 511 and comply with the requirements of the AMCA Certified Ratings Program. The AMCA Certified Ratings Seal applies to air performance rating and water penetration ratings only.

**Water penetration**  
 Test size 48" wide X 48" high (1219 X 1219)  
 Beginning point of water penetration at .01 oz. /sq. ft. is  
 1169 fpm (356 m/min).



Free area Velocity in feet (meters) per minute  
 Standard air .075 lb/ft<sup>3</sup>

# AIR LEAKAGE



## LINKS TO IMPORTANT DOCUMENTS

### Document Title

Paint Finishes and Color Guide

Limited Warranty Document



3900 Doctor Greaves Road  
Grandview, MO 64030  
Website: [www.ruskin.com](http://www.ruskin.com)  
Phone: (816) 761-7476