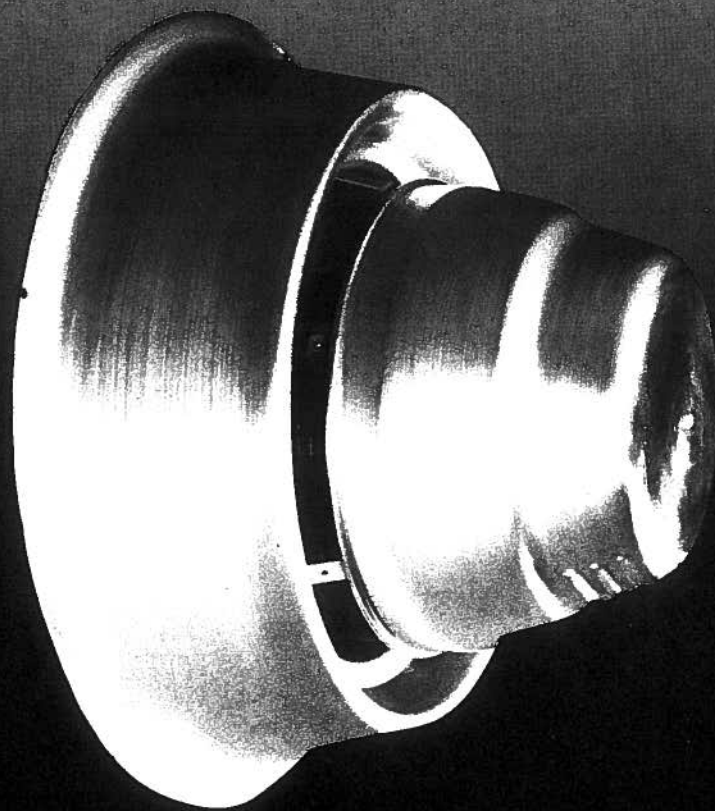


JUN 26 1991

Catalog Q-C20B  
MARCH 1990

**Spun Aluminum  
Centrifugal Wall Ventilators  
Direct & Belt Drive  
Models QWDB & QWBB**



**Quietaire**

# CENTRIFUGAL WALL EXHAUSTER

## MOTORS

### SELECT STANDARD MOTORS

*Standard motors normally stocked—*

- Single phase 1/50 HP to 1/2 HP-115 volt open
- Single phase 1/4 HP to 1 HP-115/230 volt open
- Three phase 1/2 HP to 2 HP-208/230/460 volt open

Two speed, totally enclosed and explosion proof motors available for many sizes and units. Consult your Quietaire representative for details.

**NOTE:** 200/208 volt single phase is not a standard and should be avoided. 115 volt single phase or 200/208 volt three phase should be used.

### DONT OVERSIZE MOTORS

Motors run most efficiently at their rated output and at low loads, power factors decrease. Standard Open motors have a minimum service factor of 1.15 which provides insurance for system variations.

### AVOID TOTALLY ENCLOSED MOTORS

Quietaire's ventilator motors are mounted in enclosed compartments protected from exhaust air. The Quietaire

wheel design provides positive flow of outside air through the compartment for motor cooling. Enclosed motors are rarely justified and if used, would run hot-  
ted, less efficiently and have a shorter life.

## GENERAL

Complete performance data for each size is shown on pages 4 through 14. In addition to tabular data, performance curves for each size at various speeds are shown for easy visual interpolation. Three typical system curves are also superimposed on the fan curves for guidance.

## NOISE LEVELS

Noise levels are listed in sones which offer a linear relationship between values. Sone values are at 5 feet from fan inlet and do not represent room sones. See AMCA Bulletin 302 for application details.

Tip speeds are not a valid indication of noise produced between units of different designs. The Quietaire wheel design will be quieter even at higher speeds due to the smooth flow through the wheel and inlet.

---

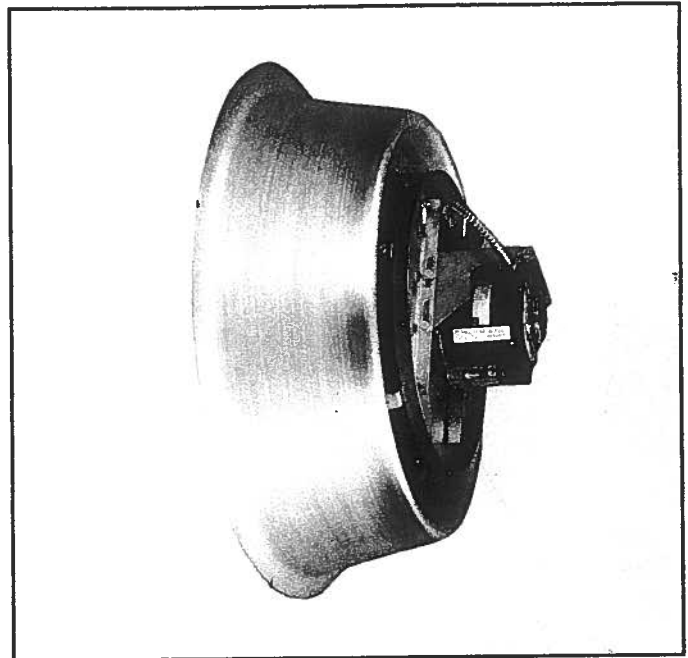
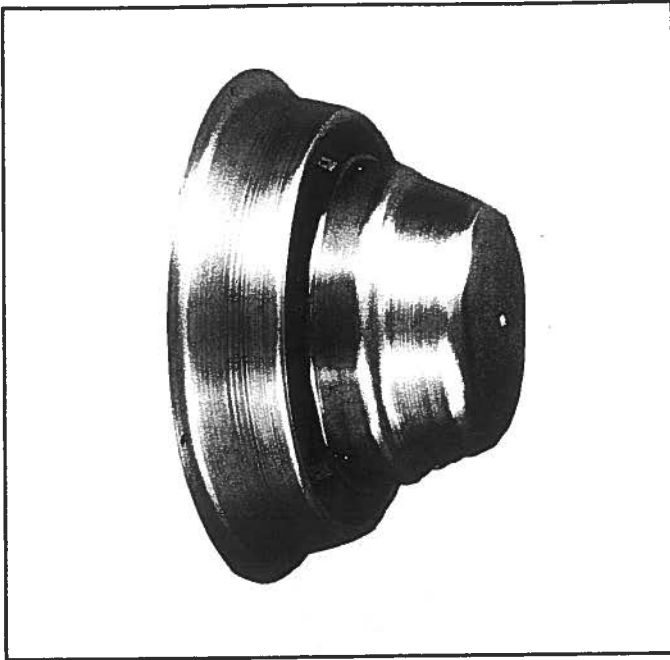
## STANDARD FEATURES

### Models QWDB & QWBB

- Galvanized bird screen
- Integral overload protection on standard single phase motors
- Aluminum non-sparking, non-overloading, backwardly inclined impeller
- Safety disconnect, except with explosion proof motors
- Belt driven units feature adjustable speed drives
- Efficient, deep spun venturi

# CENTRIFUGAL WALL EXHAUSTER

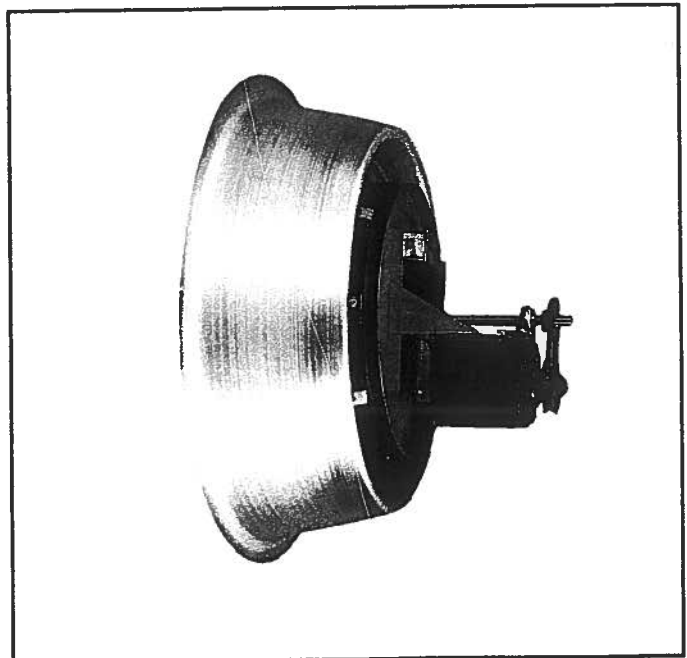
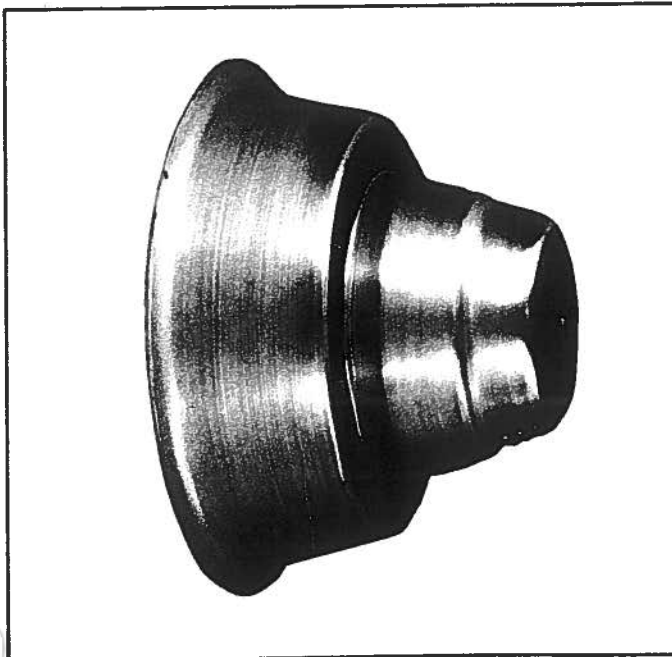
## Model QWDB—Direct Drive



Quietaire's Direct Drive Wall Exhausters are available in six sizes with capacities to 2,600 CFM. Direct drive reduces maintenance. Optional electronic speed control increases

flexibility by providing variable performances over an extended range.

## Model QWBB—Belt Drive



Quietaire's Belt Drive Wall Exhausters are available in five sizes with capacities to 7,200 CFM. Belt driven units

feature wide performance capabilities and readily available motor selections.

# PERFORMANCE DATA

## Model QWDB – Size 06

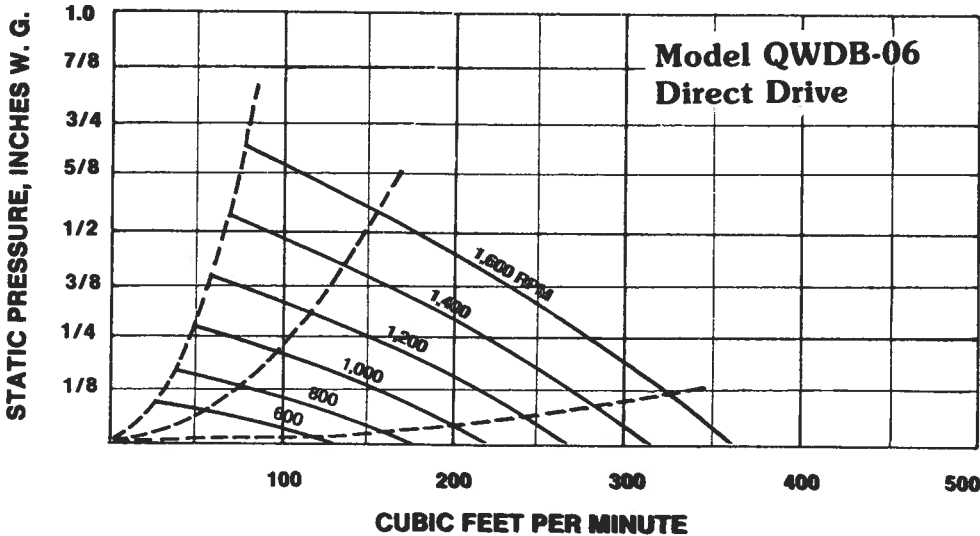
SIZE	MOTOR HP	NOMINAL RPM	STATIC PRESSURE, Inches W. G.									
			0	1/8	1/4	3/8	1/2	5/8	3/4	7/8	1	
			CFM SONE	CFM SONE	CFM SONE	CFM SONE	CFM SONE	CFM SONE	CFM SONE	CFM SONE	CFM SONE	
06-A3 <i>with Speed Control</i>	1/50 HP Std. Mtr.	500	111									
		600	134	1.9								
06-D3 <i>or</i> 06-A3 <i>with Speed Control</i>	1/28 HP Std. Mtr.	700	156	44								
		800	178	88								
	1/50 HP Std. Mtr.	900	201	127	24							
		1000	223	161	66							
06-A3*	1/50 HP 55 Watts Max.	1025	227	167	75							
06-D3 <i>with Speed Control</i>	1/28 HP Std. Mtr.	1100	245	192	111	28						
		1150	256	206	132	48						
06-D3*	1/28 HP 95 Watts Max.	1150	256	206	132	48						
06-B2 <i>with Speed Control</i>	1/40 HP Std. Mtr.	1200	267	220	152	70						
		1300	290	247	189	115	44					
		1400	312	273	223	158	87	29				
		1500	334	299	254	198	133	69				
06-B2*	1/40 HP 110 Watts Max.	1600	357	324	284	234	176	114	57			

**Note:** Performance shown is for Centrifugal Wall Ventilators without ducts.  
AMCA Seal for sound rating does not apply to units with speed control.

\* RPM is nominal and the performance is based on actual speed of test.

The sound ratings shown are loudness values in fan sones at 5 ft., calculated per AMCA Standard 301. Values shown are for installation type A: free inlet fan sone levels.

Ratings include the effect of a birdscreen.



The Quietaire Corp. certifies that the models shown here are licensed to bear the AMCA Seal. The ratings shown are based on tests made in accordance with AMCA Standard 210 and AMCA Standard 300 and comply with the requirements of the AMCA Certified Ratings Program.

# PERFORMANCE DATA

## Model QWDB-Size 08

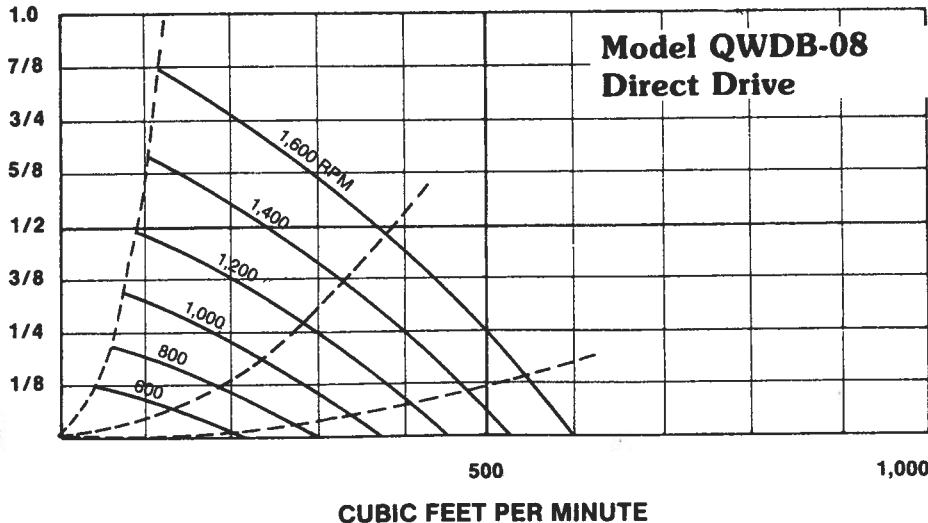
SIZE	MOTOR HP	NOMINAL RPM	STATIC PRESSURE, Inches W. G.									
			0	1/8	1/4	3/8	1/2	5/8	3/4	7/8	1	
			CFM SONE	CFM SONE	CFM SONE	CFM SONE	CFM SONE	CFM SONE	CFM SONE	CFM SONE	CFM SONE	CFM SONE
08-A3 with Speed Control	1 50 HP Std. Mtr.	400	150									
		500	1.1									
		600	187	38								
08-A3 or 08-D3 with Speed Control	1/50 HP Std. Mtr. or 1/28 HP Std. Mtr.	700	225	1.9								
		800	1.5	1.3								
		900	262	119	184							
08-D3 with Speed Control	1/28 HP Std. Mtr.	1000	2.3	1.9								
		1100	300	2.5	98							
		1180	337	2.8	2.3							
08-E2 or 08-F2 with Speed Control	1/22 HP Std. Mtr. or 1/20 HP Std. Mtr.	1200	359	2.6	168							
		1300	3.7	3.7	3.0	2.7						
		1400	412	3.38	242	118						
08-E2 with Speed Control	1/20 HP Std. Mtr.	1570	4.2	4.2	3.8	2.9						
		1600	449	3.82	301	196	76					
		1630	4.7	4.7	4.5	3.7	3.2					
08-F2 with Speed Control	1/20 HP Std. Mtr.	1600	487	4.26	354	266	161	47				
		1630	5.3	5.2	5.1	4.6	3.8	3.7				
		1680	524	4.68	404	328	237	135				
08-F2 with Speed Control	1/20 HP Std. Mtr.	1680	5.8	5.7	5.7	5.4	4.6	4.0				
		1680	562	5.09	452	385	306	216	119			
		1680	6.4	6.3	6.3	6.1	5.5	4.8	4.3			
08-F2 with Speed Control	1/20 HP Std. Mtr.	1680	588	5.8	484	428	357	269	178	85		
		1680	6.8	6.7	6.7	6.6	6.1	5.4	4.7	4.6		
		1680	599	5.50	498	438	369	290	203	111		
08-F2 with Speed Control	1/20 HP Std. Mtr.	1680	6.9	6.8	6.9	6.8	6.4	5.7	5.0	4.7		
		1680	610	5.68	511	459	387	311	227	137		
		1680	7.1	7.0	7.1	7.0	6.6	6.0	5.3	4.8		

Note: Performance shown is for Centrifugal Wall Ventilators without ducts.  
AMCA Seal for sound rating does not apply to units with speed control.

\* RPM is nominal and the performance is based on actual speed of test.

The sound ratings shown are loudness values in fan sones at 5 ft., calculated per AMCA Standard 301. Values shown are for installation type A: free inlet fan sone levels.

Ratings include the effect of a birdscreen.



The Quietaire Corp. certifies that the models shown here are licensed to bear the AMCA Seal. The ratings shown are based on tests made in accordance with AMCA Standard 210 and AMCA Standard 300 and comply with the requirements of the AMCA Certified Ratings Program.

# PERFORMANCE DATA

## Model QWDB – Size 10

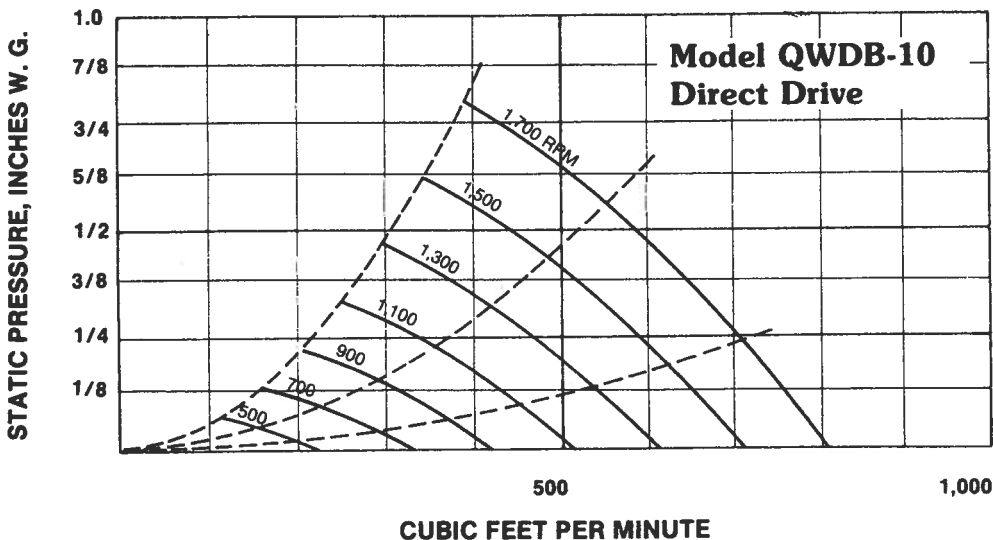
SIZE	MOTOR HP	NOMINAL RPM	STATIC PRESSURE, Inches W. G.									
			0	1/8	1/4	3/8	1/2	5/8	3/4	7/8	1	
			CFM SONE	CFM SONE	CFM SONE	CFM SONE	CFM SONE	CFM SONE	CFM SONE	CFM SONE	CFM SONE	
<b>10-D3</b> <i>with Speed Control</i>	1/28 HP Std. Mtr.	500	238 1.8									
		600	286 2.3	73 1.8								
		700	334 2.8	194 2.4								
		800	381 3.4	268 3.1								
<b>10-E2</b> <i>or</i> <b>10-D3</b> <i>with Speed Control</i>	1/22 HP Std. Mtr. <i>or</i> 1/28 HP Std. Mtr.	900	429 3.9	332 3.7	181 3.2							
		1000	477 4.5	391 4.3	283 3.9							
	1100	524 5.1	449 4.9	358 4.6	219 4.2							
<b>10-D3*</b>	1/28 HP 115 Watts Max.	1110	529 5.2	54 5.0	365 4.7	231 4.3						
<b>10-H2</b> <i>or</i> <b>10-F2</b> <i>or</i> <b>10-E2</b> <i>with Speed Control</i>	1/12 HP Std. Mtr. <i>or</i> 1/20 HP Std. Mtr. <i>or</i> 1/22 HP Std. Mtr.	1200	572 5.7	504 5.5	424 5.3	325 5.0	145 4.6					
		1300	620 6.4	558 6.2	486 6.0	405 5.7	289 5.3					
	1400	667 7.0	612 6.9	545 6.7	474 6.4	388 6.1	255 5.8					
<b>10-E2*</b>	1/22 HP 190 Watts Max.	1450	691 7.4	638 7.2	574 7.0	507 6.8	429 6.5	319 6.2				
<b>10-H2 w/Speed Control</b> <b>10-F2 w/Speed Control</b>	1/12 HP Std. Mtr. 1/20 HP Std. Mtr.	1500	715 7.7	664 7.5	603 7.4	538 7.2	467 6.9	373 6.6	229 6.3			
		<b>10-F2*</b>	1/20 HP 215 Watts Max.	1580	753 8.3	706 8.1	648 7.9	587 7.8	523 7.5	446 7.2	340 6.9	
<b>10-H2</b> <i>with Speed Control</i>	1/12 HP Std. Mtr.	1600	763 8.4	716 8.2	659 8.1	600 7.9	537 7.7	463 7.4	363 7.0	214 6.8		
		<b>10-H2*</b>	1/12 HP 250 Watts Max.	1670	796 8.9	752 8.7	698 8.6	641 8.4	582 8.2	517 7.9	435 7.6	320 7.3

Note: Performance shown is for Centrifugal Wall Ventilators without ducts.  
AMCA Seal for sound rating does not apply to units with speed control.

\* RPM is nominal and the performance is based on actual speed of test.

The sound ratings shown are loudness values in fan sones at 5 ft., calculated per AMCA Standard 301. Values shown are for installation type A: free inlet fan sone levels.

Ratings include the effect of a birdscreen.



The Quietaire Corp. certifies that the models shown here are licensed to bear the AMCA Seal. The ratings shown are based on tests made in accordance with AMCA Standard 210 and AMCA Standard 300 and comply with the requirements of the AMCA Certified Ratings Program.

# PERFORMANCE DATA

## Model QWDB-Size 12

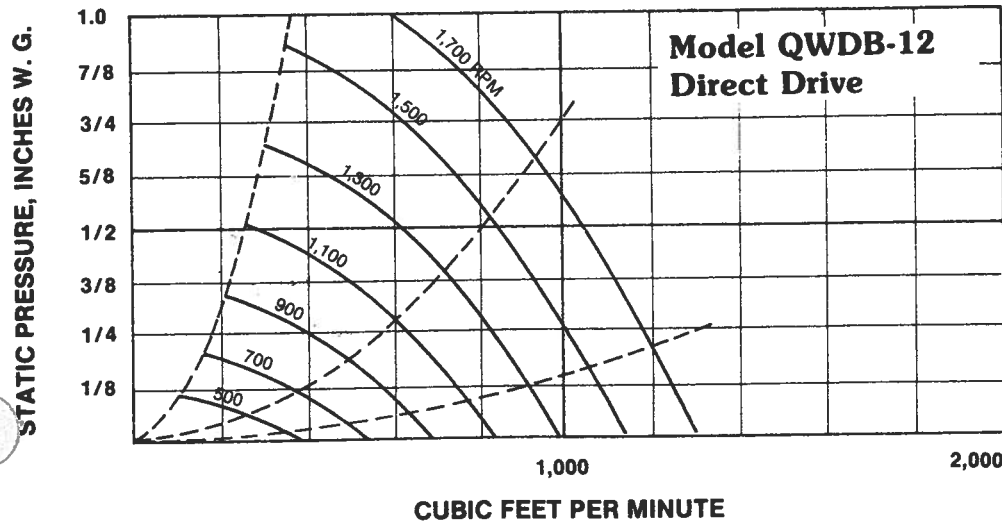
SIZE	MOTOR HP	NOMINAL RPM	STATIC PRESSURE, Inches W. G.										
			0	1/8	1/4	3/8	1/2	5/8	3/4	7/8	1		
			CFM SONE	CFM SONE	CFM SONE	CFM SONE	CFM SONE	CFM SONE	CFM SONE	CFM SONE	CFM SONE	CFM SONE	
12-J4 with Speed Control	1/8 HP Std. Mtr. .03 HP Max.	500	382 2.6										
		600	459 3.3	230 3.2									
		700	535 4.1	366 3.8									
		800	612 4.9	470 4.6	231 4.6								
12-J4*	1/8 HP	860	658 5.4	528 5.1	346 3.1								
12-J3 with Speed Control	1/8 HP Std. Mtr. .06 HP Max.	900	688 5.7	565 5.4	405 5.4								
		1000	765 6.6	656 6.3	529 6.2	326 6.2							
12-J3*	1/8 HP	1075	822 7.2	722 7.0	609 6.8	456 6.8	190 6.8						
12-L5 with Speed Control	1/4 Std. Motor .21 HP Max.	1200	918 8.4	829 8.1	731 7.9	619 7.8	460 7.9	196 7.8					
		1300	994 9.3	913 9.1	824 8.8	728 8.7	610 8.7	438 8.8	169 8.7				
		1400	1071 10.2	996 10.0	915 9.8	829 9.7	732 9.6	607 9.7	431 9.7	169 9.5			
		1500	1147 11.2	1078 11.0	1003 10.8	924 10.6	840 10.6	741 10.5	614 10.6	439 10.6	192 10.5		
12-L5*	1/4 HP	1625	1243 12.5	1179 12.3	1113 12.1	1040 11.9	965 11.8	884 11.7	799 11.7	671 11.8	543 11.8		
12-L2*	1/4 HP	1725	1319 13.3	1260 13.3	1196 13.1	1129 12.9	1061 12.8	993 12.7	908 12.7	814 12.7	685 12.7		

Note: Performance shown is for Centrifugal Wall Ventilators without ducts.  
AMCA Seal for sound rating does not apply to units with speed control.

\* RPM is nominal and the performance is based on actual speed of test.

The sound ratings shown are loudness values in fan sones at 5 ft., calculated per AMCA Standard 301. Values shown are for installation type A: free inlet fan sone levels.

Ratings include the effect of a birdscreen.



The Quietaire Corp. certifies that the models shown here are licensed to bear the AMCA Seal. The ratings shown are based on tests made in accordance with AMCA Standard 210 and AMCA Standard 300 and comply with the requirements of the AMCA Certified Ratings Program.

## Model QWDB – Size 15

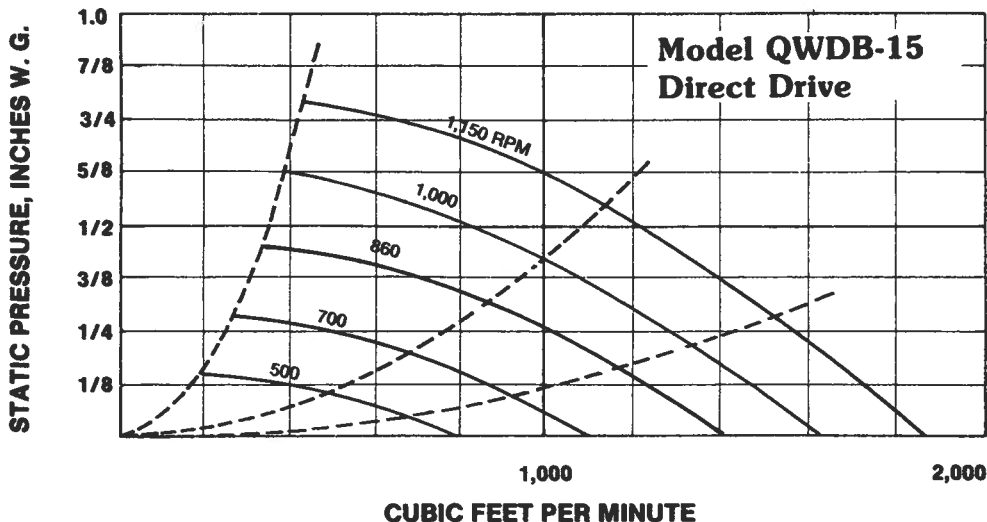
SIZE	MOTOR HP	NOMINAL RPM	STATIC PRESSURE, Inches W. G.								
			0	1/8	1/4	3/8	1/2	5/8	3/4	7/8	1
			CFM SONE	CFM SONE	CFM SONE	CFM SONE	CFM SONE	CFM SONE	CFM SONE	CFM SONE	CFM SONE
15-J4 with Speed Control	1/8 HP Std. Mtr. .09 HP Max.	400	653 3.0								
		500	817 4.1	408 3.3							
		600	980 5.2	671 4.5							
		700	1143 6.4	881 5.9	551 5.2						
		800	1307 7.6	1083 7.4	839 6.5	400 5.6					
15-L4	1/8 HP	860	1405 8.4	1201 8.3	974 7.3	685 6.8					
15-L3 with Speed Control	1/4 HP Std. Mtr. .17 HP Max.	900	1470 8.9	1279 8.9	1059 7.9	818 7.4	302 6.0				
		1000	1633 10.2	1469 10.4	1266 9.5	1074 8.8	816 8.3	290 6.7			
		1075	1756 11.2	1608 11.6	1419 10.7	1239 9.9	1046 9.5	739 8.8			

Note: Performance shown is for Centrifugal Wall Ventilators without ducts.  
AMCA Seal for sound rating does not apply to units with speed control.

\* RPM is nominal and the performance is based on actual speed of test.

The sound ratings shown are loudness values in fan sones at 5 ft., calculated per AMCA Standard 301. Values shown are for installation type A: free inlet fan sone levels.

Ratings include the effect of a birdscreen.



The Quietaire Corp. certifies that the models shown here are licensed to bear the AMCA Seal. The ratings shown are based on tests made in accordance with AMCA Standard 210 and AMCA Standard 300 and comply with the requirements of the AMCA Certified Ratings Program.



# PERFORMANCE DATA

## Model QWDB – Size 18

SIZE	MOTOR HP	NOMINAL RPM	STATIC PRESSURE, Inches W. G.									
			0	1/8	1/4	3/8	1/2	5/8	3/4	7/8	1	
			CFM SONE	CFM SONE	CFM SONE	CFM SONE	CFM SONE	CFM SONE	CFM SONE	CFM SONE	CFM SONE	CFM SONE
18-L4 with Speed Control	1/4 HP Std. Mtr. .16 HP Max.	350	839 3.3									
		400	959 4.0	339 4.1								
		450	1070 4.6	609 4.8								
		500	1198 5.3	812 5.5								
		550	1318 6.0	984 6.2	371 6.2							
		600	1438 6.8	1140 6.9	682 7.0							
		650	1558 7.5	1286 7.7	922 7.8	270 7.8						
		700	1678 8.3	1427 8.4	1122 8.6	633 8.6						
		750	1798 9.1	1564 9.2	1300 9.3	914 9.4	307 9.4					
18-L4*	1/4 HP	825	1978 10.3	1765 10.4	1540 10.6	1249 10.6	882 10.7					
18-R3*	38 BHP Max	1170	2637 15.1	2476 15.2	2318 15.3	2153 15.4	1986 15.5	1749 15.6	1481 15.6	1181 15.6	846 15.6	

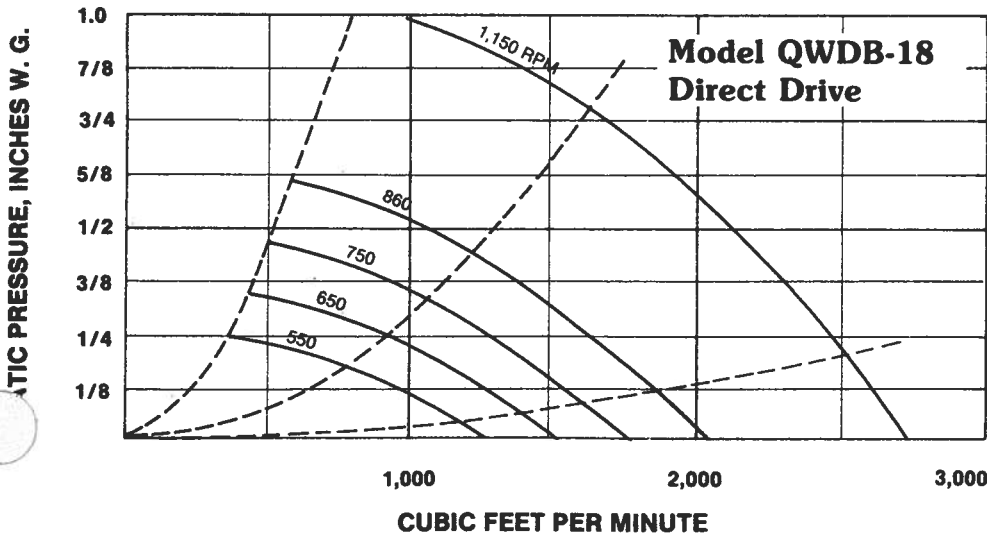
Note: Performance shown is for Centrifugal Wall Ventilators without ducts.  
AMCA Seal for sound rating does not apply to units with speed control.

\* RPM is nominal and the performance is based on actual speed of test.

The sound ratings shown are loudness values in fan sones at 5 ft., calculated per AMCA Standard

1. Values shown are for installation type A: free inlet fan sone levels.

Sound ratings include the effect of a birdscreen.



The Quietaire Corp. certifies that the models shown here are licensed to bear the AMCA Seal. The ratings shown are based on tests made in accordance with AMCA Standard 210 and AMCA Standard 300 and comply with the requirements of the AMCA Certified Ratings Program.

## Model QWBB – Size 12

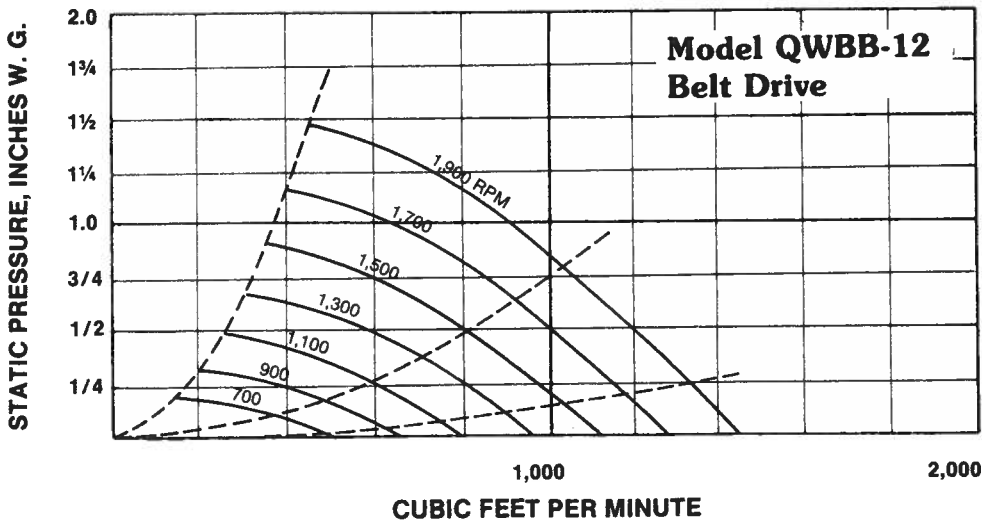
RPM RANGE — Motor HP							STATIC PRESSURE, INCHES W. G.											
K1	K2	K3	L4	M5	P6	RPM	0	1/8	1/4	3/8	1/2	5/8	3/4	1	1-1/4	1-3/4		
1/6	1/6	1/6	1/4	1/3	1/2		CFM	BHP	CFM	BHP	CFM	BHP	CFM	BHP	CFM	BHP	CFM	BHP
							Sone		Sone		Sone		Sone		Sone		Sone	
█	█	█	█	█	█	800	612	.02	470	.02	231	.02						
	█	█	█	█	█	980	750	.03	638	.04	506	.05	283	.04				
		█	█	█	█	1130	865	.05	769	.06	664	.07	534	.07	324	.06		
			█	█	█	1220	934	.07	846	.08	750	.08	642	.09	494	.09		
				█	█	1320	1010	.08	930	.09	842	.10	749	.11	636	.11	231	.08
					█	1380	1056	.09	980	.11	897	.12	809	.12	709	.13	577	.13
						1510	1155	.12	1086	.14	1011	.15	933	.16	850	.16	753	.17
						1620	1240	.15	1176	.17	1107	.18	1035	.19	960	.20	878	.20
						1730	1324	.19	1264	.20	1200	.22	1134	.23	1065	.24	993	.25
						1820	1393	.22	1337	.23	1276	.25	1213	.26	1149	.27	1082	.28
						1910	1462	.25	1408	.27	1351	.26	1291	.30	1231	.31	1168	.32
						2000	1530	.29	1480	.31	1425	.32	1369	.34	1311	.35	1252	.36
						2090	1599	.33	1551	.35	1499	.37	1446	.38	1391	.40	1335	.41
						2180	1668	.37	1622	.39	1573	.41	1522	.43	1469	.44	1416	.46
							18.4		18.3		18.1		17.9		17.8		17.6	
															17.5		17.3	

Note: Performance shown is for Centrifugal Wall Ventilators without ducts.

BHP does not include drive losses.

The sound ratings shown are loudness values in fan sones at 5 ft., calculated per AMCA Standard 301. Values shown are for installation type A: free inlet fan sone levels.

Ratings include the effect of a birdscreen.



The Quietaire Corp. certifies that the models shown here are licensed to bear the Seal. The ratings shown are based on tests made in accordance with AMCA Standard 210 and AMCA Standard 300 and comply with the requirements of the AMCA Certified Ratings Program.

# PERFORMANCE DATA

## Model QWBB – Size 15

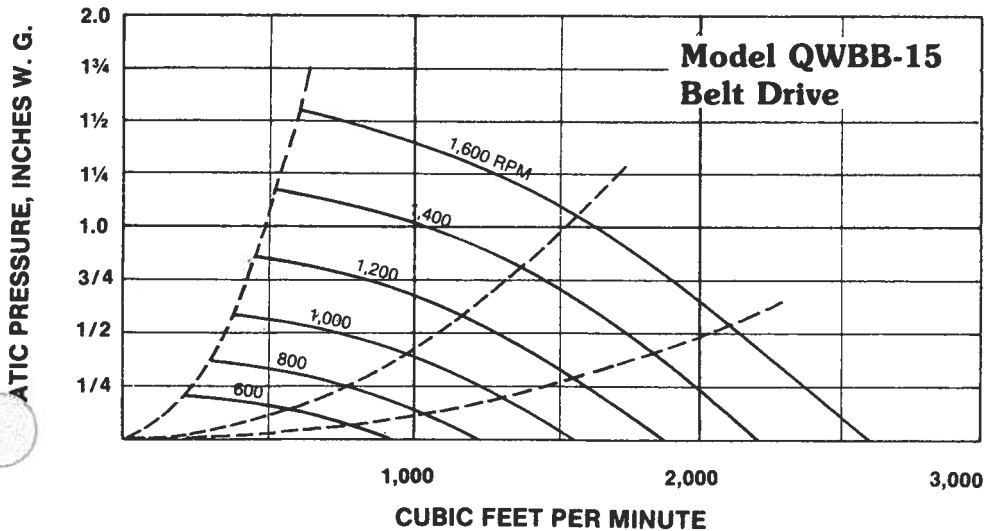
RPM RANGE — Motor HP		STATIC PRESSURE, INCHES W. G.																
K1	K2	L3	M4	P5	R6	RPM	0	1/8	1/4	3/8	1/2	5/8	3/4	1	1-1/4	1-1/2		
1/6	1/6	1/4	1/3	1/2	3/4		CFM	BHP	CFM	BHP	CFM	BHP	CFM	BHP	CFM	BHP	CFM	BHP
							Sone	Sone	Sone	Sone	Sone	Sone	Sone	Sone	Sone	Sone	Sone	
						650	1062 .03	778 .04	307 .03									
						860	1405 .07	1202 .08	974 .09	685 .09								
						1070	1748 .13	1599 .15	1409 .16	1229 .17	1032 .17	716 .16						
						1120	1830 .15	1691 .17	1509 .18	1335 .19	1159 .19	920 .19	494 .16					
						1170	1911 .17	1781 .19	1609 .20	1439 .21	1275 .22	1081 .22	774 .20					
						1220	1983 .19	1871 .22	1707 .23	1542 .24	1385 .25	1217 .25	983 .24					
						1260	2058 .21	1942 .24	1784 .25	1623 .26	1471 .27	1315 .28	1118 .28	327 .19				
						1300	2124 .23	2013 .26	1862 .26	1704 .29	1555 .29	1408 .30	1236 .30	614 .25				
						1350	2205 .26	2100 .29	1957 .31	1805 .32	1659 .33	1519 .33	1367 .34	889 .31				
						1450	2369 .32	2274 .36	2145 .38	2004 .39	1864 .40	1732 .41	1600 .42	1275 .42	665 .34			
						1540	2516 .39	2429 .43	2311 .45	2179 .46	2046 .47	1918 .48	1795 .49	1531 .51	1131 .48	375 .35		
						1610	2630 .44	2549 .48	2438 .51	2314 .53	2186 .54	2062 .55	1942 .56	1702 .57	1390 .57	860 .50		
						1690	2761 .51	2685 .56	2583 .59	2466 .60	2344 .62	2224 .63	2108 .64	1882 .66	1628 .67	1252 .64		
						1760	2875 .58	2804 .63	2707 .66	2597 .68	2481 .69	2365 .70	2251 .71	2034 .74	1807 .75	1511 .75		

Note: Performance shown is for Centrifugal Wall Ventilators without ducts.

BHP does not include drive losses.

The sound ratings shown are loudness values in fan sones at 5 ft., calculated per AMCA Standard 301. Values shown are for installation type A: free inlet fan sone levels.

Ratings include the effect of a birdscreen.



The Quietaire Corp. certifies that the models shown here are licensed to bear the AMCA Seal. The ratings shown are based on tests made in accordance with AMCA Standard 210 and AMCA Standard 300 and comply with the requirements of the AMCA Certified Ratings Program.

## Model QWBB – Size 18

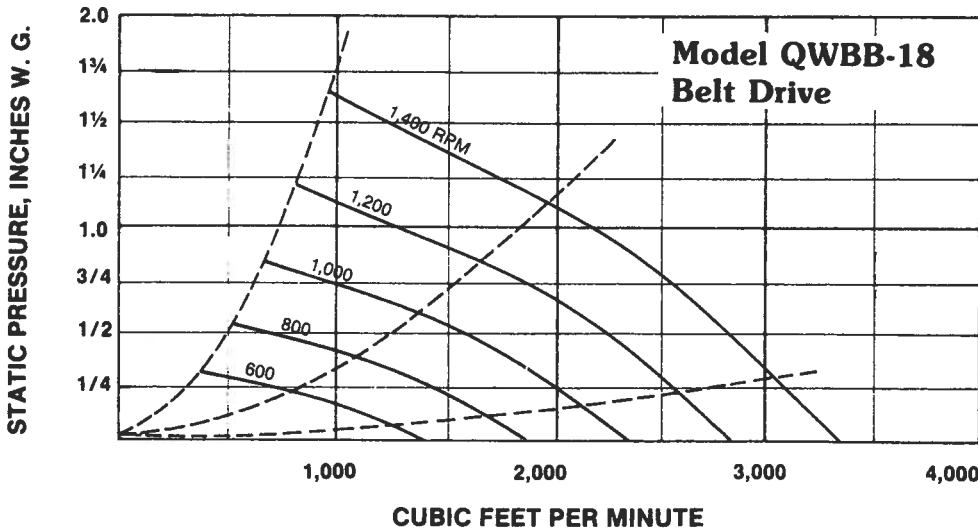
RPM RANGE — Motor HP								STATIC PRESSURE, INCHES W. G.										
K1	K2	L3	M4	P5	R6	S7	RPM	0	1/8	1/4	3/8	1/2	5/8	3/4	1	1-1/4	1-1/2	
1/6	1/6	1/4	1/3	1/2	3/4	1		CFM	BHP	Sone	CFM	BHP	Sone	CFM	BHP	Sone	CFM	BHP
							610	1462 .06 6.9	1170 .06 7.1	734 .06 7.2								
							740	1774 .10 8.9	1537 .11 9.1	1265 .12 9.2	863 .11 9.2							
							840	2013 .15 10.5	1805 .16 10.7	1586 .17 10.8	1308 .17 10.9	918 .16 10.9	355 .12 10.9					
							910	2181 .18 11.7	1988 .20 11.9	1792 .21 12.0	1562 .22 12.1	1263 .21 12.1	857 .19 12.1					
							960	2301 .22 12.6	2118 .23 12.7	1935 .25 12.8	1728 .25 12.9	1472 .25 13.0	1138 .24 13.0	695 .21 13.0				
							990	2373 .24 13.1	2195 .25 13.2	2018 .27 13.4	1823 .28 13.5	1587 .28 13.5	1287 .27 13.6	896 .25 13.6				
							1050	2517 .28 14.2	2348 .30 14.3	2183 .32 14.4	2006 .33 14.5	1801 .33 14.6	1552 .33 14.6	1238 .32 14.7				
							1100	2636 .33 15.1	2476 .34 15.2	2318 .36 15.3	2153 .37 15.4	1968 .38 15.5	1749 .38 15.6	1482 .37 15.6	742 .31 15.6			
							1160	2780 .38 16.2	2627 .40 16.3	2478 .42 16.4	2325 .43 16.5	2157 .45 16.6	1966 .45 16.7	1740 .45 16.7	1138 .40 16.7			
							1210	2900 .43 17.1	2753 .45 17.2	2611 .47 17.3	2465 .49 17.4	2309 .50 17.5	2135 .51 17.6	1934 .51 17.6	1417 .48 17.7	680 .39 17.7		
							1300	3116 .54 18.8	2979 .56 18.9	2846 .58 19.0	2712 .60 19.1	2572 .61 19.2	2422 .63 19.3	2254 .63 19.3	1844 .62 19.4	1290 .57 19.5	538 .45 19.4	
							1380	3307 .64 21	3178 .67 21	3052 .69 21	2927 .71 21	2799 .73 21	2662 .74 21	2515 .75 21	2169 .76 21.0	1722 .73 21.0	1137 .65 22	
							1450	3475 .75 22	3352 .77 22	3232 .80 22	3113 .82 22.0	2992 .84 23	2866 .85 23	2732 .87 23	2426 .88 23	2046 .87 23	1563 .81 23	
							1520	3643 .86 24	3525 .89 24	3410 .91 24	3297 .94 24	3183 .96 24	3065 .97 24	2941 .99 24	2666 1.01 24	2336 1.01 24	1927 .98 24	

Note: Performance shown is for Centrifugal Wall Ventilators without ducts.

BHP does not include drive losses.

The sound ratings shown are loudness values in fan sones at 5 ft., calculated per AMCA Standard 301. Values shown are for installation type A: free inlet fan sone levels.

Ratings include the effect of a birdscreen.



The Quietaire Corp. certifies that the models shown here are licensed to bear the AMCA Seal. The ratings shown are based on tests made in accordance with AMCA Standard 210 and AMCA Standard 300 and comply with the requirements of the AMCA Certified Ratings Program.

# PERFORMANCE DATA

## Model QWBB – Size 21

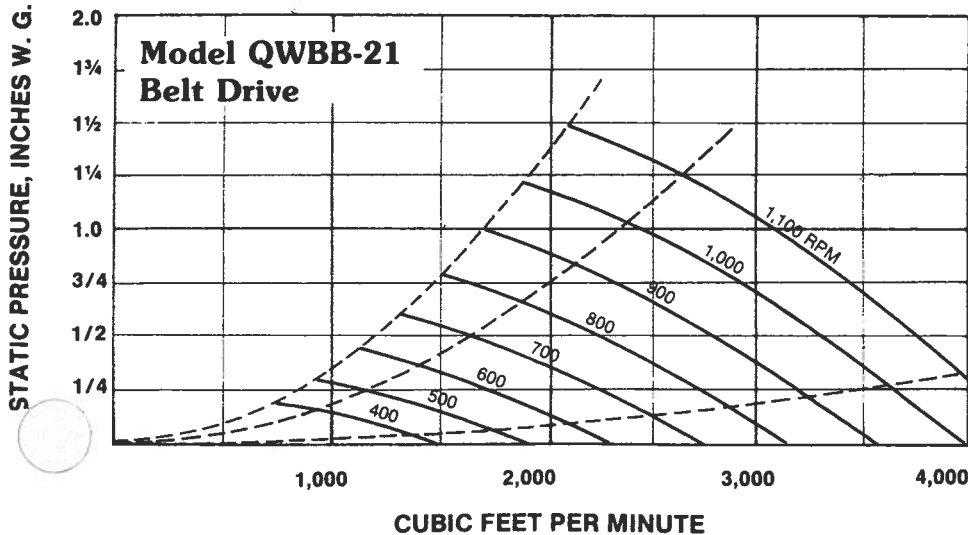
RPM RANGE — Motor HP		STATIC PRESSURE, INCHES W. G.															
M1	M2	P3	R4	S5	T6	RPM	0	1/8	1/4	3/8	1/2	5/8	3/4	1	1-1/4	1-1/2	
1/4	1/3	1/2	3/4	1	1 1/2		CFM BHP Sone	CFM BHP Sone	CFM BHP Sone	CFM BHP Sone	CFM BHP Sone	CFM BHP Sone	CFM BHP Sone	CFM BHP Sone	CFM BHP Sone	CFM BHP Sone	CFM BHP Sone
						520	2063 .08 7.7	1733 .09 7.6	1375 .11 7.6								
						610	2420 .12 9.5	2142 .14 9.4	1851 .16 9.4	1520 .17 9.4							
						700	2777 .18 11.3	2539 .21 11.3	2285 .23 11.3	2028 .25 11.3	1728 .26 11.3	1287 .25 11.3					
						740	2935 .22 12.2	2712 .24 12.2	2472 .27 12.2	2232 .29 12.1	1971 .30 12.1	1632 .30 12.2					
						770	3054 .24 12.9	2840 .27 12.9	2610 .30 12.8	2380 .32 12.8	2139 .34 12.8	1848 .34 12.8	1441 .33 12.8				
						810	3213 .28 13.8	3011 .31 13.8	2792 .34 13.7	2573 .36 13.7	2351 .39 13.7	2102 .40 13.7	1783 .40 13.7				
						890	3491 .36 15.4	3306 .40 15.4	3107 .42 15.3	2905 .45 15.3	2703 .48 15.3	2494 .50 15.3	2258 .51 15.3				
						940	3729 .44 16.7	3558 .48 16.8	3372 .51 16.7	3182 .54 16.7	2994 .57 16.7	2804 .59 16.6	2603 .62 16.7	2095 .62 16.7			
						1000	3967 .53 18.2	3807 .57 18.2	3634 .60 18.2	3456 .64 18.1	3278 .67 18.1	3101 .70 18.1	2920 .72 18.1	2508 .76 18.1	1916 .72 18.1		
						1050	4165 .62 19.4	4014 .66 19.4	3850 .69 19.4	3681 .73 19.4	3511 .76 19.3	3343 .79 19.3	3173 .82 19.3	2807 .87 19.3	2335 .87 19.3		
						1100	4363 .71 21	4220 .75 21	4064 .79 21	3903 .82 21	3742 .86 21	3580 .89 21	3419 .93 21	3085 .98 21	2687 1.01 21	2141 .97 21	
						1160	4601 .83 23	4466 .88 23	4319 .92 23	4168 .95 23	4015 .99 23	3861 1.03 22.0	3709 1.06 22.0	3399 1.13 22.0	3058 1.17 22.0	2631 1.17 22.0	
						1200	4760 .92 24	4629 .97 24	4489 1.01 24	4343 1.05 24	4195 1.09 24	4046 1.12 24	3899 1.16 23.0	3602 1.23 23.0	3286 1.28 23.0	2911 1.31 23.0	
						1260	4998 1.07 25	4874 1.12 25	4741 1.16 25	4603 1.20 25	4462 1.24 25	4321 1.28 25	4180 1.32 25	3899 1.39 25	3609 1.46 25	3287 1.50 25	

Note: Performance shown is for Centrifugal Wall Ventilators without ducts.

BHP does not include drive losses.

The sound ratings shown are loudness values in fan sones at 5 ft., calculated per AMCA Standard 301. Values shown are for installation type A: free inlet fan sone levels.

Ratings include the effect of a birdscreen.



The Quietaire Corp. certifies that the models shown here are licensed to bear the AMCA Seal. The ratings shown are based on tests made in accordance with AMCA Standard 210 and AMCA Standard 300 and comply with the requirements of the AMCA Certified Ratings Program.

# PERFORMANCE DATA

## Model QWBB – Size 24

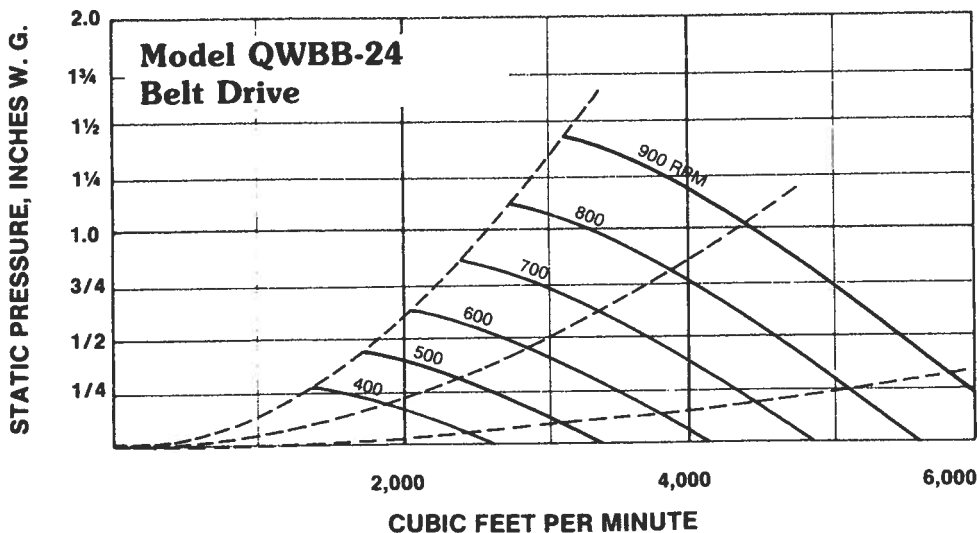
RPM RANGE — Motor HP							STATIC PRESSURE, INCHES W. G.											
M1	P2	R3	S4	T5	V6	RPM	0	1/8	1/4	3/8	1/2	5/8	3/4	1	1-1/4	1-1/2		
1/3	1/2	3/4	1	1 1/2	2		CFM	BHP	CFM	BHP	CFM	BHP	CFM	BHP	CFM	BHP	CFM	BHP
							Sone		Sone		Sone		Sone		Sone		Sone	
						410	2912	.09	2403	.12	1839	.13						
							6.2	5.9	4.7									
						480	3410	.15	2970	.18	2546	.20	1966	.21				
							7.6	7.4	6.6	5.5								
						560	3978	.24	3600	.27	3234	.30	2860	.33	2349	.34		
							9.3	9.2	8.8	7.9	6.8							
						590	4191	.28	3832	.31	3482	.35	3137	.38	2719	.40		
							10.0	9.9	9.5	8.8	7.7							
						640	4546	.35	4216	.39	3889	.43	3575	.47	3239	.50	2806	.51
							11.2	11.1	10.8	10.2	9.3	8.3						
						690	4901	.44	4596	.49	4289	.52	3995	.56	3701	.60	3367	.63
							12.3	12.3	12.0	11.6	10.9	10.0	9.0					
						730	5185	.53	4897	.57	4606	.61	4325	.65	4050	.70	3759	.73
							13.3	13.2	13.0	12.7	12.1	11.3	10.3					
						770	5470	.62	5197	.66	4920	.71	4651	.75	4390	.80	4125	.84
							14.2	14.2	14.0	13.7	13.2	12.5	11.7	10.0				
						800	5683	.69	5420	.74	5154	.79	4893	.83	4641	.88	4389	.92
							15.0	14.9	14.8	14.5	14.1	13.5	12.7	11.0				
						840	5967	.80	5717	.85	5463	.90	5213	.95	4971	1.00	4732	1.05
							16.0	15.9	15.8	15.6	15.2	14.7	14.0	12.4	10.9			
						880	6251	.92	6013	.98	5770	1.03	5530	1.08	5297	1.13	5068	1.18
							17.0	16.9	16.9	16.7	16.3	15.9	15.3	13.8	12.2			
						920	6535	1.05	6308	1.11	6076	1.16	5845	1.21	5620	1.27	5400	1.32
							18.0	18.0	17.9	17.7	17.5	17.1	16.6	15.2	13.7	12.3		
						960	6819	1.20	6602	1.26	6379	1.31	6158	1.37	5940	1.42	5728	1.47
							19.1	19.0	19.0	18.8	18.6	18.3	17.8	16.6	15.2	13.7		
						1020	7245	1.44	7041	1.50	6832	1.56	6623	1.62	6416	1.67	6214	1.73
							21	21	21	21	21	21	20.0	19.6	18.6	17.4	15.9	

Note: Performance shown is for Centrifugal Wall Ventilators without ducts.

BHP does not include drive losses.

The sound ratings shown are loudness values in fan sones at 5 ft., calculated per AMCA Standard 301. Values shown are for installation type A: free inlet fan sone levels.

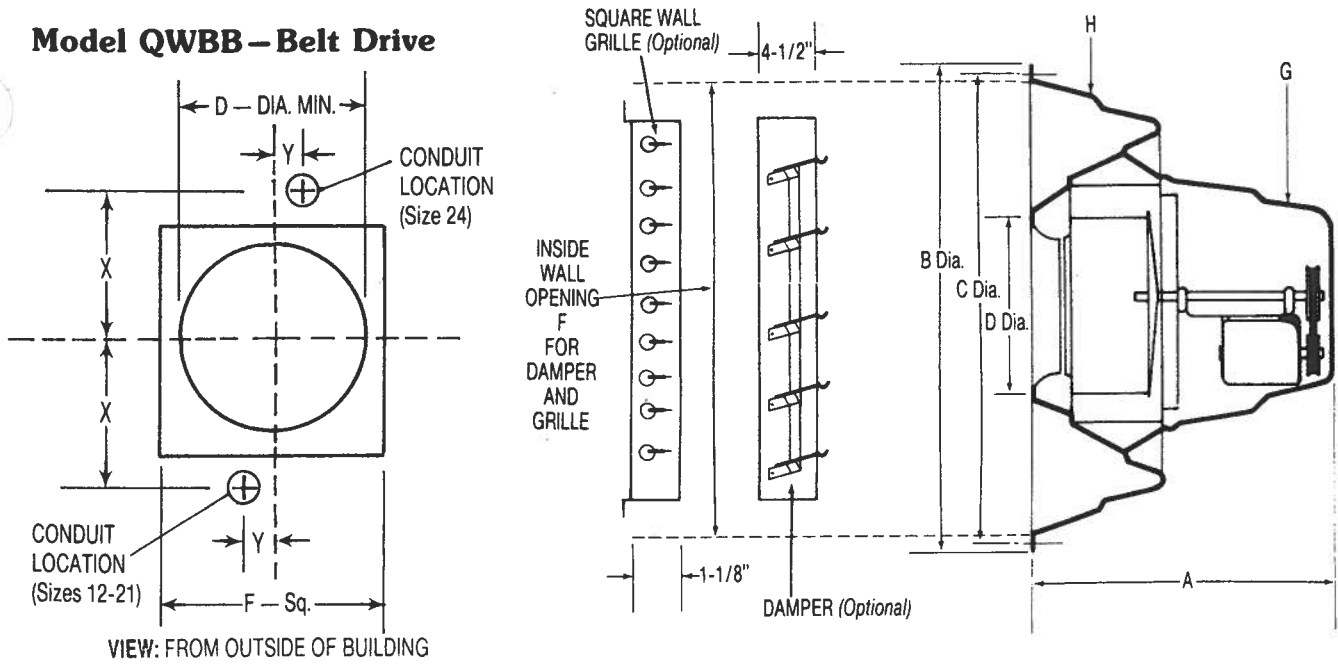
Ratings include the effect of a birdscreen.



The Quietaire Corp. certifies that the models shown here are licensed to bear the A Seal. The ratings shown are based on models made in accordance with AMCA Standard 210 and AMCA Standard 300 and comply with the requirements of the AMCA Certified Ratings Program.

# DIMENSIONS

## Model QWBB – Belt Drive

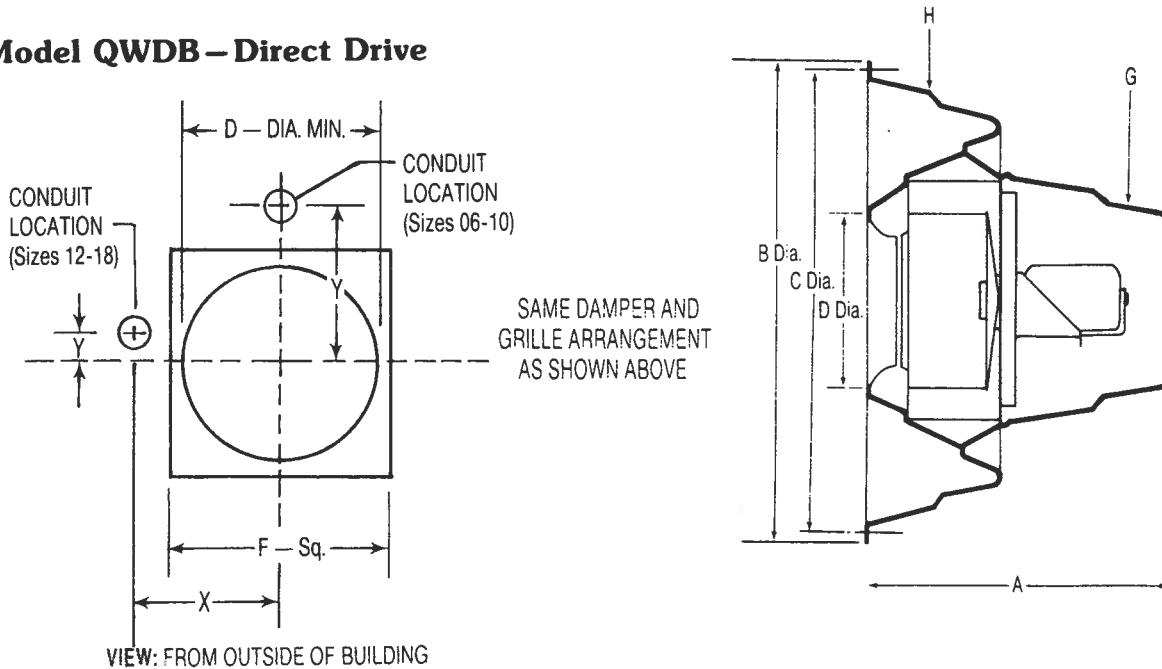


VIEW: FROM OUTSIDE OF BUILDING

DIMENSIONS (In Inches)									
MODEL	A	B	C	D*	F	G	H	X	Y
QWBB 12	21¾	36	35	12	15	.080 gauge Alum.	.080 gauge Alum.	13¼	1½
QWBB 15	25½	40	39	15	20			15¼	1½
QWBB 18	27½	43	42	18¾	22			16¾	1½
QWBB 21	28½	48	47	20	26			18¾	1½
QWBB 24	33	58	57	21½	32			22¼	1½

\*Minimum wall opening size.

## Model QWDB – Direct Drive



VIEW: FROM OUTSIDE OF BUILDING

DIMENSIONS (In Inches)									
MODEL	A	B	C	D*	F	G	H	X	Y
QWDB 06	10½	23	22	10¼	10	.051 gauge Alum.	.051 ga.	8¾	—
QWDB 08	11½	23½	22½	10¼	10		.063 ga.Alum.	8¾	—
QWDB 10	12¾	24	23	10¼	12		.080	9¾	—
QWDB 12	20	36	35	12	15		gauge	13¼	1½
QWDB 15	22¾	40	39	15	20		.063 ga.Alum.	15¼	1½
QWDB 18	25½	43	42	18¾	22	Alum.	16¾	1½	

\*Minimum wall opening size.

# TYPICAL SPECIFICATIONS

Centrifugal Power Wall Ventilators shall be Quietaires Model QWDB, direct drive, or Model QWBB, belt drive, as shown on plans and schedules.

Ventilator covers shall be spun aluminum specifically designed to withstand high wind loads. Wheels shall be backwardly inclined.

The motor and drive compartment shall be positively externally ventilated. Drive components shall be isolated from the structure. Bearings shall be designed for 200,000 hours operation.

Horsepower and noise levels shall not exceed the values shown and oversize motors will not be acceptable.

Ventilators shall be furnished with acceptable electrical disconnect and birdscreen. Single phase motors shall have integral overload protection. V-belt drives shall be adjustable.

Performance ratings shall be AMCA certified for air and sound.

---

## WARRANTY

---

**Warranty and Disclaimer:** Quietaire Corporation extends this limited warranty to the original buyer and warrants that products manufactured by Quietaire shall be free from original defects in workmanship and materials for one year from date of shipment, provided same have been properly stored, installed, serviced, maintained and operated. This warranty shall not apply to products which have been altered or repaired in any way so as to effect its performance, without Quietaire's express authorization, or altered or reliability, nor which have been improperly installed or subjected to misuse, negligence, or accident, or incorrectly used in combination with other substances. The Buyer assumes all risks and liability for results of; use of the products. Warranties on purchased parts, such as electric motor and controls are limited to the terms of warranty extended by our supplier.

**Limitation Of Remedy And Damages:** All claims under this warranty must be made in writing and delivered to Quietaire Corporation 505 North Hutcheson, Houston, Texas 77003 within 15 days after discovery of the defect and prior to the expiration of one year from the date of shipment by Quietaire of the product claimed defective, and Buyer shall be barred from any remedy if Buyer fails to make such claim within such period.

Within 30 days after receipt of a timely claim, Quietaire shall have the option either to inspect the product while in Buyer's possession or to request Buyer to return the product to Quietaire at Buyer's expense for inspection by Quietaire. Quietaire shall replace, or at its option repair, free of charge, any product it determines to be defective, and it shall ship the repaired or replacement product to Buyer F.O.B. point of shipment; provided, however, if circumstances are such as Quietaire judgment to prohibit repair or replacement to remedy the warranted defects, the buyer's sole and exclusive remedy shall be a refund to the buyer of any part of the invoice price, paid to Quietaire for the defective product or part.

Quietaire is not responsible for the cost of removal of the defective product or part, damages due to removal, or any expenses incurred in shipping the product or part to or from Quietaire plant, or the installation of the repaired or replaced product or part.

Implied warranties, when applicable, shall commence upon the same date as the express warranty provided above, and shall except for warranties of title, extend only for the duration of the express warranty provided above. Some states do not allow limitations on how long an implied warranty lasts, so the above limitation may not apply to you. The only remedy provided to you under an applicable implied warranty and the express warranty shall be the remedy provided under the express warranty, subject to the terms and conditions contained therein. Quietaire shall not be liable for incidental and consequential losses and damages under the express warranty, any applicable implied warranty, or claims for negligence, except to the extent that his limitation is found to be unenforceable under applicable state law. Some states do not allow exclusion or limitation of incidental or consequential damages, so the above limitation or exclusion may not apply to you. The warranty gives you specific legal rights, and you may also have other rights which vary from state to state.

No employee, agent, dealer, or other person is authorized to give any warranties on behalf of Quietaire or to assume for Quietaire any other liability in connection with any of its products except in writing and signed by an officer of Quietaire.

**Technical Advice And Recommendation, Disclaimer:** Notwithstanding any past practice or dealings or any custom of the trade, sales shall not include the furnishing of technical advice or assistance or system design. Any such assistance shall be at Quietaire sole option and may be subject to additional charge.

Quietaire assumes no obligation or liability on account of any recommendations, opinions, or advice as to the choice, installation or use of products. Any such recommendations, opinions or advice are given and shall be accepted at your own risk and shall not constitute any warranty or guarantee of such products or their performance.

