



PENNBARRY™

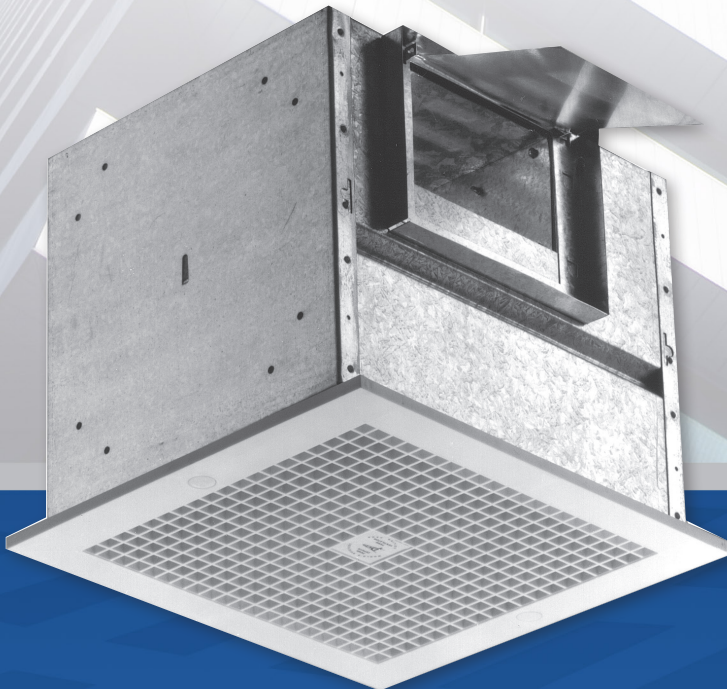
Moving Your Way

ZEPHYR

Ceiling Exhaust Fans

TABLE OF CONTENTS

Introduction	3
Certifications & Listings	4
Features & Benefits	5
Options & Accessories	6
Installation	10
Dimensional & Performance Data	11
Fan Curves	17
Engineering Specifications	18



BULLETIN Z15

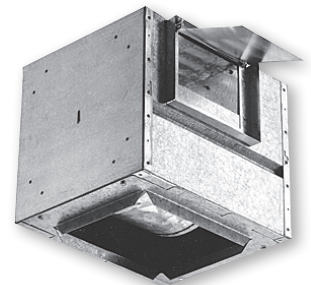
INTRODUCTION

Zephyr Z & Z-TDA Models

The Zephyrs, model Z are quiet operating ceiling exhaust fans. Some selections are available with sound ratings below 1 sone. There are 15 types of models that cover a wide range of performance. The units are easily field convertible to change the discharge orientation from right angle to top discharge. They are also easily field convertible from ceiling (model Z) to inline (model Z-TDA) installations. There are multiple sizes that utilize 2 speed motors that allow these units to cover an even greater range. All motors are equipped with thermal overload protection as standard. The units utilize quick access wiring to make them easy to install. Many of the units are offered with variable speed motor control which will allow for easy balancing. All models are AMCA Air and Sound rated and UL705 and UL507 listed.



Zephyr



Zephyr TDA

Model: Z3 - Z12

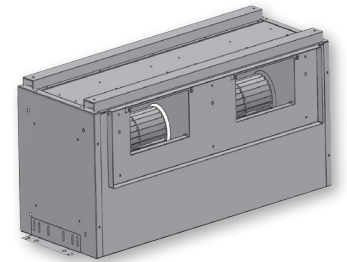
- Static pressure up to 0.75" wg.
- Flow capacity up to 1566 CFM.

Model: Z3 - Z12 (TDA)

- Static pressure up to 1.5" wg.
- Flow capacity up to 1519 CFM.

Large Capacity Zephyr Fans

PennBarry Zephyr fan models Z14 and Z15, are designed to produce high volumes of air at low noise levels. Fans can be used for general ventilation and exhaust applications. These larger capacity fans will accommodate single or multi-room ventilation and can be installed above the ceiling. The units are AMCA Air certified and UL705 listed. The Z14 is also UL507 listed.

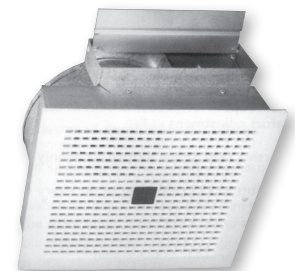


Model: Z14 & Z15

- Static pressure up to 1" wg.
- Flow capacity up to 3290 CFM.

Zephyrette & Zephyr Jr.

The Zephyrette ZT and Zephyr Junior ZJ1 are quiet operating low profile Zephyrs. They can be installed into very shallow ceilings where other units will not fit. A speed controller is available for both models for precise system balancing and energy conservation. The units come standard with thermally protected motors, AMCA Air rated and UL705, UL507, and CSA listed.



Model: Zephyrette & Zephyr Jr. (ZT & ZJ1)

- Static pressure up to 0.75" wg.
- Flow capacity up to 160 CFM.

Zephyr Transfan

The Transfan is a room-to-room transfer fan. It has an adjustable wall sleeve for varying wall thicknesses and fits easily between wall studs or ceiling joists. It is supplied with a built in variable speed motor control. It is AMCA Air rated and UL705, UL507, and CSA listed.



Model: Transfan (TF-8)

- Static pressure up to 0.20" wg.
- Flow capacity up to 255 CFM.

INTRODUCTION

Zephyr Ceiling Fan

The Zephyr Z1 is for very low flow requirements. The unit comes with a white polymeric grille and utilizes a quiet centrifugal blower wheel. The housing is made from rugged steel and has built in mounting brackets. The exhaust connection is a 4" polymeric round duct connector that has a durable damper that eliminates backdrafts and produces no metallic clatter. The Z1 is UL507 listed for use over bathtubs and showers when connected to a GFCI protected branch circuit. The Z1 is AMCA licensed for Sound and Air performance.

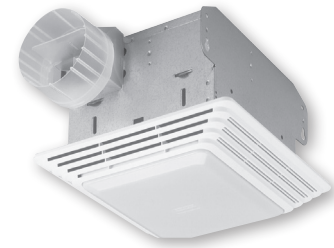


Model: Z1

- Static pressure up to 0.5" wg.
- Flow capacity up to 56 CFM.

Zephyr Ceiling Fans with Light

The Zephyr Light models ZL1 and ZL2 come with a maximum of 100 watt incandescent lighting (bulb not included). The units are supplied with a totally enclosed motor that utilizes sealed bearings. The units come with a white polymeric grille that has an unbreakable light lens. They utilize quiet centrifugal blower wheels with plug in receptacles for the fan and light. The housing is made from rugged steel and has built in mounting brackets. The exhaust connection is a 4" polymeric round duct connector that has a durable damper that eliminates backdrafts and produces no metallic clatter. The models are UL507 listed for use over bathtubs and showers when connected to a GFCI protected branch circuit. The units are AMCA licensed for Sound and Air performance.



Model: ZL1 & ZL2

- Static pressure up to 0.5" wg.
- Flow capacity up to 97 CFM.

CERTIFICATIONS & LISTINGS



AMCA Certification

PennBarry certifies that the Zephyr models shown on pages 11, 12, and 16 are licensed to bear the AMCA Seal. The ratings shown are based on tests and procedures performed in accordance with AMCA Publication 211 and AMCA Publication 311 and comply with the requirements of the AMCA Certified Ratings Program.



PennBarry certifies that the Zephyr models shown on page 15 are licensed to bear the AMCA Seal. The ratings shown are based on tests and procedures performed in accordance with AMCA Publication 211 and comply with the requirements of the AMCA Certified Ratings Program.

UL and cUL Certification

Zephyr fans carry the UL label, UL705, (ZACT/ZACT7), file #E28413 and UL507, (GPWX), file #E39313. Zephyr fan radiation dampers carry the UL label UL555C, (CABS), file #R8039.

Models Z1, ZL1, and ZL2 are not UL705 certified. Model Z15 is not UL507 certified.

FEATURES & BENEFITS

Low Sound

For sound critical applications, the Zephyr S series delivers the lowest sound ratings. All Zephyrs feature acoustically insulated housings, custom designed blower and motor pairings, motors mounted on vibration isolators, and for all but the smallest Zephyr-Z3H, dual inlet blowers.

High Static Pressures

When higher static pressures are encountered, the Zephyr H series fans excel. Faster RPM allow these fans to better sustain airflow as static pressure increases. This makes them well suited for inline applications.

Housings

Housings are fabricated of galvanized steel. Acoustical installation is used to minimize sound.

EasyTap Speed Selection

Selected Zephyrs (Z6S/H, Z8S/H, and Z10S/H) are provided with dual speed motors designed to run at nominal speeds of 1050 and 1550 RPM. By simply changing one wire tap, a fan's speed can be switched. This ability to alter speed and air flow allows on the spot adjustments to deal with unforeseen circumstances. Systems deficiencies can be accommodated in the field quickly and without the added cost of replacing a fan.

Motors

All units have permanently lubricated motors manufactured to PennBarry's exacting specifications. Motors feature built in overload protection and plug in disconnects.

Grilles

Constructed of attractive molded white plastic, aerodynamically designed grilles feature an 85% free area. To make for easy removal and cleaning, the grilles are held in place with spring clips. An optional metal face grille with a white finish is available.

Wheels

Wheels are dynamically balanced and performance matched with the motor. On models Z5H and larger, dual inlet blowers are employed to minimize sound levels.

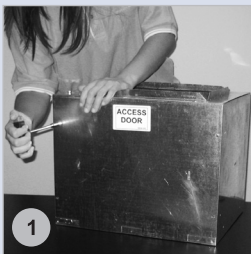
Quick Access Wiring

Access to the motor leads is through a panel in the side of the unit; there is no need to remove the power pack. However, if the need to remove the power pack ever arises, a quick connect plug makes the process simple and easy.

Field Conversion

The Zephyr cabinet is designed for quick transition from right angle discharge to top discharge or into an inline configuration. Simply remove two (or four depending upon model) sheet metal screws, switch positions of the access panel and top panel, re-attach screws, and a right angle discharge becomes a top discharge fan. There is no need to remove the power pack. The blower remains oriented in one position while the panels change places. The transformation to an inline fan is accomplished by the replacement of the grille with an access panel. Again, only two (or four) screws are involved in the process.

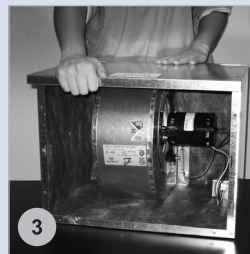
Field Conversion: Changing from Right Angle to Top Discharge



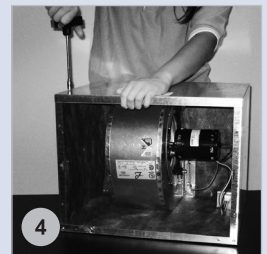
1 Remove screws.



2 Remove access panel.

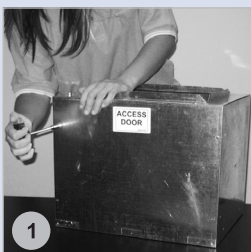


3 Rotate access panel 90°.



4 Re-install screws.

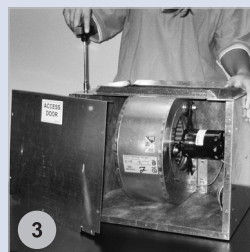
Changing from Ceiling Mount to Inline Configuration



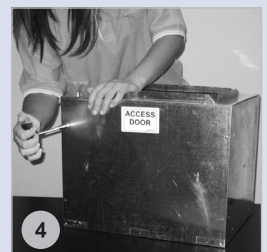
1 Discard grille and remove access panel screws.



2 Remove access panel.



3 Install optional TDA panel and four screws.



4 Re-install access panel and screws.

OPTIONS & ACCESSORIES

Roof Caps

These spun aluminum, rustproof, seamless vents provide a discharge cap for flat roof mounting. Unobtrusive and furnished with integral bird screen, they are designed for simple, safe flashing directly to the roof. Mounting flanges are also available turned down as cap flashing when installation on roof curbs is desired. See the PennBarry Weathercap Bulletin for more information.

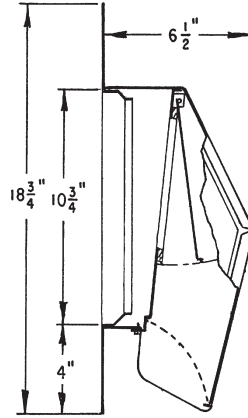
Sloped Roof Caps

Caps are available for sloped roof applications. Minimum height model SL20 is durable and has a backdraft damper. Models WCF/WCC10, 12, 14, 20 are suitable for mounting on sloped roof 4" in 12" pitch or less.

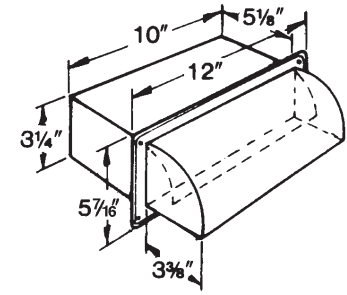


Wall Caps

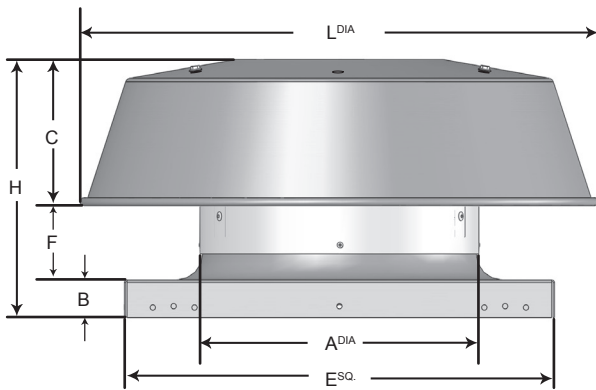
Inconspicuous but efficient wall outlets for the Zephyr fans are provided through the use of the Wall Cap. Architectural values are not diminished by this tastefully designed accessory. When properly installed, it is both watertight and effective.



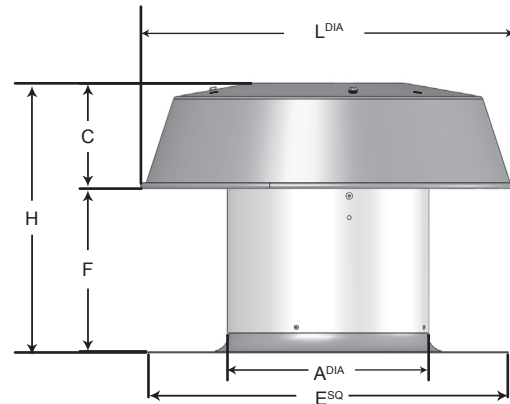
SL20 ROOF CAP



WC10 ROOF CAP



WCC ROOF CAP (CURB MOUNTED)



WCF ROOF CAP (SELF FLASHING)

For Use With	Model	A (Throat) Dia	B	C	E SQ	F	H	L-Dia	Damper SQ
Z1, ZL1, ZL2, ZT, ZJ1, Z3H, Z5H, Z6S/H	WCF06	7"	N/A	3 1/2"	16 7/8"	8"	11 1/2"	12"	NA
Z8S/H, Z81S, Z10S/H	WCF08	9"	N/A	5 1/2"	21 1/4"	8"	13 1/2"	18 1/2"	NA
Z101S, Z102S	WCF10	11"	N/A	5 1/2"	21 1/4"	10"	15 1/2"	21"	NA
Z12S, Z121S	WCF12	13"	N/A	7"	24"	10"	17"	25"	NA
Z102H, Z12H	WCF14	15"	N/A	7"	28"	10"	17"	28"	NA
Z14, Z15	WCF20	21"	N/A	10 1/2"	32"	12"	22 1/2"	37"	NA
Z1, ZL1, ZL2, ZT, ZJ1, Z3H, Z5H, Z6S/H	WCC06	7"	1	3 1/2"	15"	4"	8 1/2"	12"	8 3/4"
Z8S/H, Z81S, Z10S/H	WCC08	9"	1-1/2	5 1/2"	18 1/2"	4"	11"	18 1/2"	11 1/4"
Z101S, Z102S	WCC10	11"	1 1/2	5 1/2"	18 1/2"	4"	11"	21"	11 1/4"
Z12S, Z121S	WCC12	13"	2	7"	20 1/2"	4"	13"	25"	15 3/4"
Z102H, Z12H	WCC14	15"	2	7"	24 3/4"	4"	13"	28"	15 3/4"
Z14, Z15	WCC20	21"	2	10 1/2"	28 1/2"	5 1/2"	18"	37"	19 3/4"

©PENNBARRY 2015

OPTIONS & ACCESSORIES

Lek-Trol™ Speed Controllers

Lek-Trol™ Speed Controllers permit unlimited air control. They use solid state “quadrac” circuitry and insure not only complete speed range control and extra long life reliability but also a savings in the cost of electricity. Lek-Trols can be installed and connected within the fan casing, permitting precise system balancing.



Pilot Light

This amber colored light easily snaps into any opening in the Zephyr grille. The light will indicate when the fan is in operation and is ideal when fan is not interlocked with lights.

277 Volt Transformer

To meet local requirements 277V transformers are available for all Zephyrs. The transformers are step-down and will step the voltage down to 120V. Shipped loose for field installation.

Motion Sensor

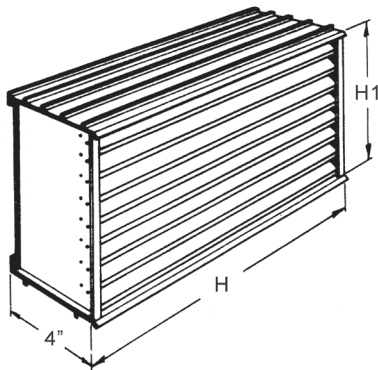
For applications where automated operation of the fan is required, a motion detector can be used to turn the fan on or off. The sensor features full scanning capabilities and can be placed anywhere within the room. The sensor also offers adjustable shutoff feature with delays of up to 15 minutes.

Two Speed Switch

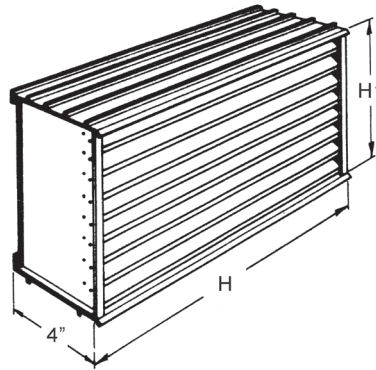
A PennBarry Exclusive. The decorator, three position center off, two speed switch is designed to work with PennBarry’s EasyTap Dual Speed Motors (models Z6S/H, Z8S/H & Z10S/H). Adjust from low (S) to high (H) with the flick of a switch. Manually adjust for changes in room and static pressure conditions.

Brick Vents

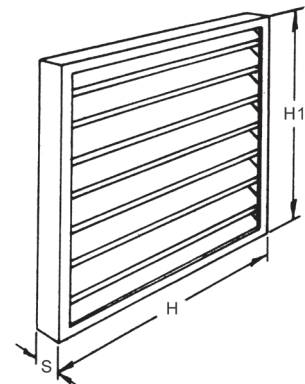
Sized to replace multiples of standard size brick or concrete block. Made of extruded aluminum with insect screens, storm proof features and a protective finish, they are superior vents and ideal for installation in masonry walls.



BRICK VENT B68



BRICK VENT B100



BRICK VENT B120 / B150

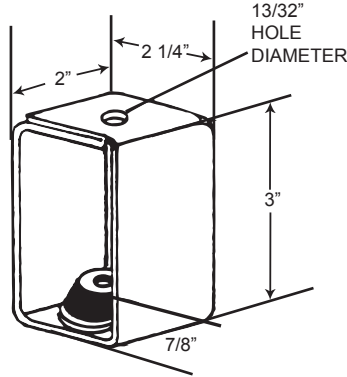
Brick Vent Model Recommendations

Brick Vent Model	Recommended Zephyr Model	H	H1	S
B120	Z101, Z12, Z121, Z102, Z14	24"	24"	2"
B150	Z15	30"	30"	2"
B68	Z3, Z5, Z6, Z8, Z81	16 1/2"	4 3/4"	4"
B100	Z100	16 1/2"	7 3/4"	4"

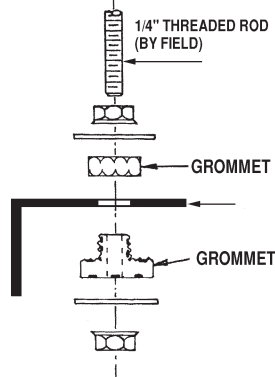
OPTIONS & ACCESSORIES

Vibration Hanger

Hanger vibration eliminators feature rubber-in-shear type and are available for use with all units.



AVAILABLE WITH
MODELS Z14 & Z15



AVAILABLE WITH
MODELS Z3 - Z12

Square to Round Transition

Designed to make the installation of flex duct quick and easy. Available to accommodate the most common flex duct sizes.

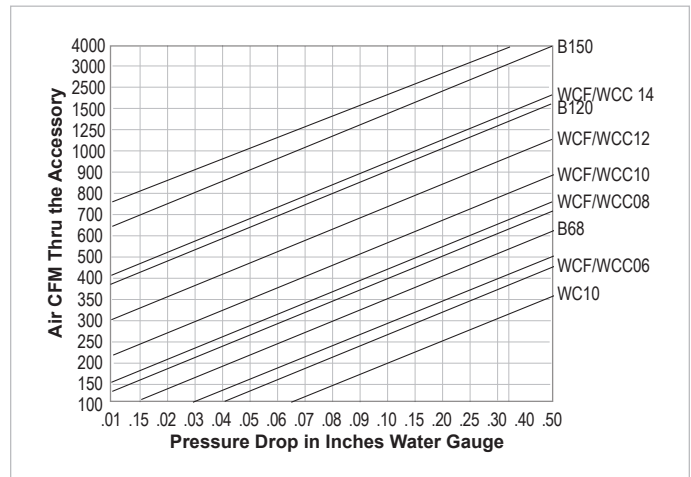
Duct Transition	Part No.	Units	Round Dia.
ZT, ZJ1, Z3, Z5, Z6	56337-0	3 1/4" x 10"	6"
Z8, Z81, Z10	56340-0	6" x 8"	8"
Z12, Z101, Z102, Z121*	56385-0	6" x 8"	8"

Includes two pieces.

Ceiling Radiation Damper

For areas where local codes require fire dampers for compliance with National Fire Protection Standard 90A, PennBarry offers a UL approved damper, UL555C, (CABS), file #R8039. The dampers are rated for 3 hours and are activated at 165°F. Compact in design, the dampers add only 7" in height when mounted between the fan and the grille. Static pressure created by the damper is negligible.

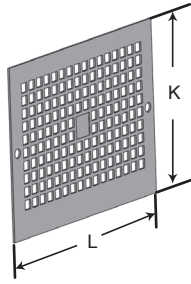
Static Pressure Drop Chart for Accessories



OPTIONS & ACCESSORIES

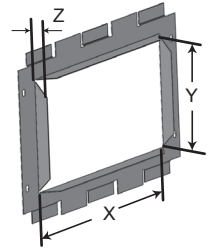
Optional Steel Grille

When the design calls for a more architecturally appealing grille, an optional steel grille is available. It features an attractive perforated steel design with overall white finish. (Not available for Z1, ZL1 & ZL2).



Inline Conversion (TDA) Kit

Adapter panel with integral duct flange allows conversion from ceiling fan (RA/TD) to inline fan (TDA). Adapter can be installed to provide for straight through (Inline) or 90° (Right Angle Inline) application. Use of the fan in Right Angle configuration allows the fan to replace an elbow in the duct system. This eliminates the pressure loss of the elbow and simplifies the installation for the contractor.



Model	Grille		TDA Panel		
	K	L	X	Y	Z
Z3,5,6	11"	13 3/4"	10"	6"	1 5/8"
Z8,81	13 1/4"	14 7/8"	10"	8"	1 9/16"
Z10	15 1/2"	19 3/8"	14"	10"	2"
Z12, 101, 102, 121	15 1/2"	25"	20"	10"	2"

Accessories Matrix

Model	Roof Caps			Wall Cap	Brick Vent	Switches		Radiation † Damper	Metal Face Grille
	Flat	Curb Mount	Slope			Speed Controller	Time Delay		
Z3H	WCF06	WCC06	SL20+	WC10	B68	LT30	AM12	DDA3	MFG6
Z5H	WCF06	WCC06	SL20+	WC10	B68	LT30	AM12	DDA3	MFG6
Z6S/H	WCF06	WCC06	SL20+	WC10	B68	LT30**	AM12	DDA3	MFG6
Z8S/H	WCF08	WCC08	SL20+	WC10	B68	LT30	AM12	DDA8	MFG8
Z81S	WCF08	WCC08	SL20+	WC10	B68	LT30	AM12	DDA8	MFG8
Z10S/H	WCF08	WCC08	SL20+	SL20+	B100	LT50	AM12	DDA10	MFG10
Z101S	WCF10	WCC10	WCF10†	***	B120	LT30	AM12	DDA12	MFG12
Z102S	WCF10	WCC10	WCF10†	***	B120	LT50	AM12	DDA12	MFG12
Z12S	WCF12	WCC12	WCF12†	***	B120	LT50	AM12	DDA12	MFG12
Z121S	WCF12	WCC12	WCF12†	***	B120	LT40	AM12	DDA12	MFG12
Z102H	WCF14	WCC14	WCF14†	***	B120	LT40	AM12	DDA12	MFG12
Z12H	WCF14	WCC14	WCF14†	***	B120	LT40	AM12	DDA12	MFG12
Z14	WCF20	WCC20	Call Factory	***	B120	LT40	AM12	--	MFG14*
Z15	WCF20	WCC20	Call Factory	***	B150	LT35	--	--	MFG15*

+ Manufactured of galvanized steel. All other accessories manufactured of aluminum.

* Specify MFG (perforated metal) or MCG (aluminum core).

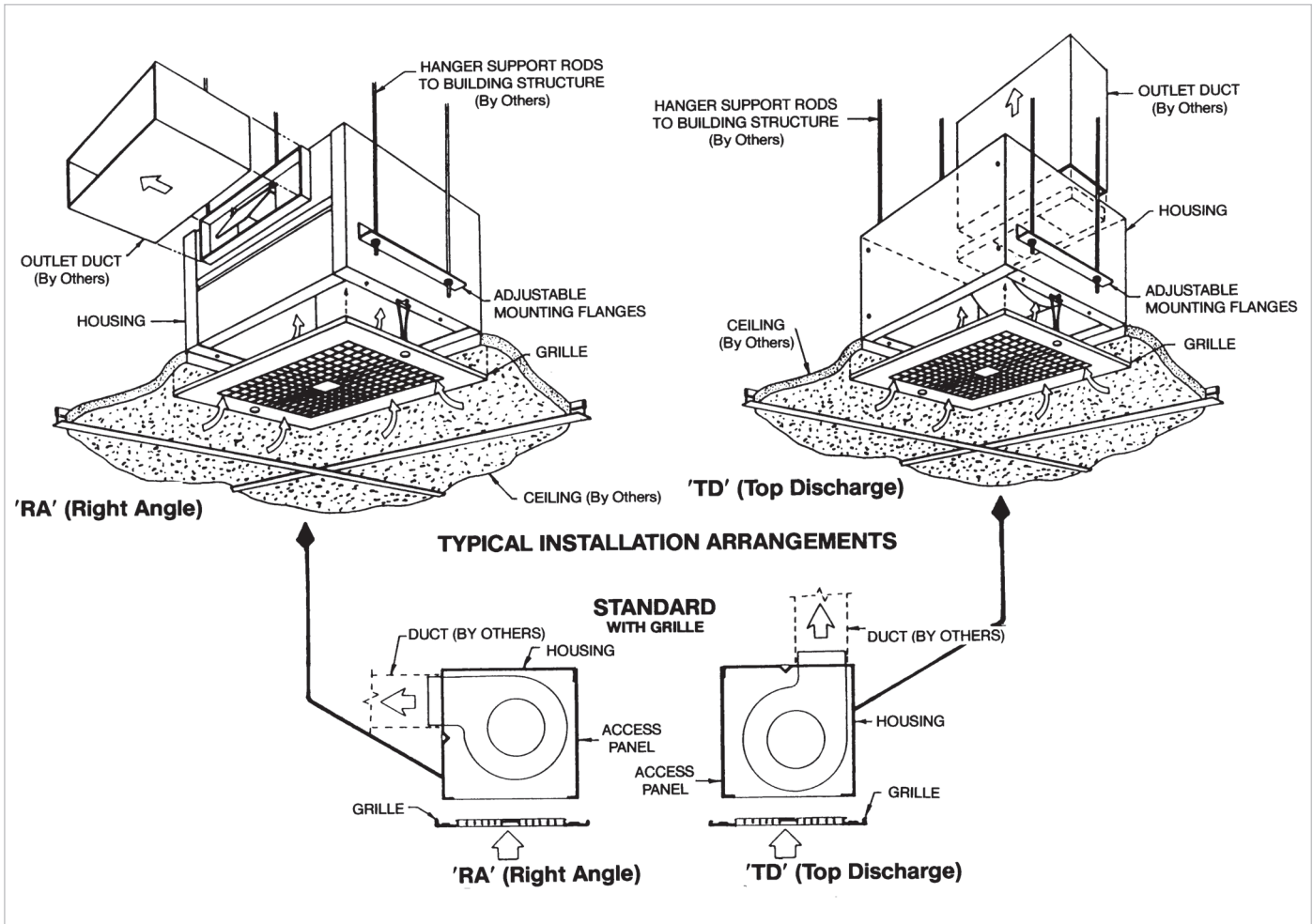
‡ Kit is field installed, shipped separate from fan.

** Z6H unit only.

*** Use brick vent.

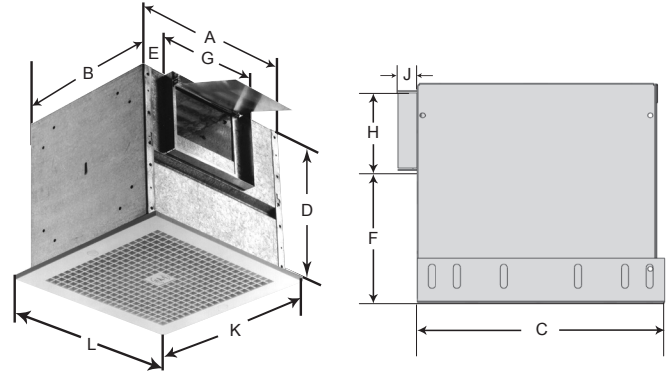
† 4" to 12" (maximum) pitch.

INSTALLATION



Z3 - Z12 | CEILING FANS

- Some selections below one sone.
- AMCA Air & Sound certified.
- UL Listed for UL705 and UL507.
- All motors with thermal overload protection.
- Quick access wiring.
- Easy to balance via variable speed control (Lek-Trol™).
- Field convertible discharge orientation
- Field convertible from ceiling to inline installation.
- Popular models with multi-speed motor (wide performance range).



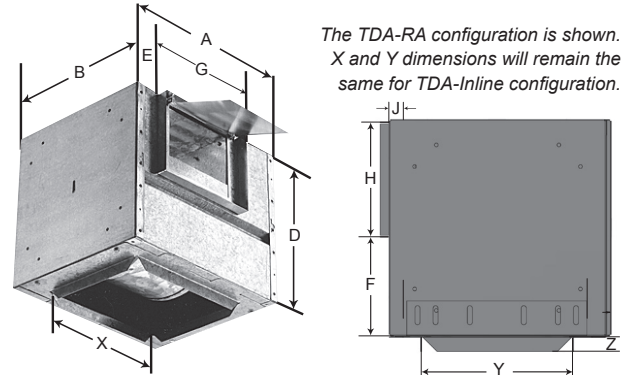
Model	Housing						Outlet Duct			Grille		Est. Shipping Wt. (Lbs.)	
	A	B	C	D	E	E'	F	G	H	J	K		L
Z3, 5, 6	12 1/2"	9 1/8"	16"	9 1/8"	1 1/4"	1 1/4"	5 3/8"	10"	3 1/4"	3/4"	11"	13 3/4"	14
Z8, 81	13 7/8"	11 3/8"	17 3/8"	11 3/8"	1 7/8"	4"	5 1/4"	8"	6"	3/4"	13 1/4"	14 7/8"	20
Z10	18"	14 1/8"	21 1/2"	14 1/8"	3 5/8"	6 3/8"	8"	8"	6"	3/4"	15 1/2"	19 3/8"	28
Z12, 101, 102, 121	24"	14 1/8"	27 1/2"	14 1/8"	1"	1"	8"	22"	6"	3/4"	15 1/2"	25"	52

Model	Max. Watts	Amps	RPM	SP	0.000"	0.125"	0.250"	0.375"	0.500"	0.625"	0.750"
Z3H	39	0.5	1550	CFM	109	83	-	-	-	-	-
				HEMISPHERICAL SONES ³	1.7	2.3	-	-	-	-	
				SPHERICAL SONES ⁴	0.8	1.4	-	-	-	-	
Z5H	79	1	1550	CFM	192	163	128	93	-	-	-
				HEMISPHERICAL SONES ³	3.4	3.3	3.3	3.4	-	-	-
				SPHERICAL SONES ⁴	1.5	1.6	1.6	1.7	-	-	-
Z6S ⁵	47	0.6	1050	CFM	123	101	82	-	-	-	-
				HEMISPHERICAL SONES ³	0.9	1.4	1.8	-	-	-	-
				SPHERICAL SONES ⁴	0.2	0.5	0.9	-	-	-	-
Z6H ⁵	108	1.4	1550	CFM	230	196	166	122	-	-	-
				HEMISPHERICAL SONES ³	3.3	3	3	3.1	-	-	-
				SPHERICAL SONES ⁴	2.3	2.0	1.9	2.0	-	-	-
Z8S ⁵	77	1	1050	CFM	272	247	231	217	199	-	-
				HEMISPHERICAL SONES ³	2.1	2.4	2.9	3.3	3.6	-	-
				SPHERICAL SONES ⁴	1.0	1.4	1.9	2.4	2.8	-	-
Z81S	77	0.9	1050	CFM	310	273	239	213	182	136	73
				HEMISPHERICAL SONES ³	2.5	2.7	2.9	3.3	3.7	4.2	4.3
				SPHERICAL SONES ⁴	1.5	1.7	1.9	2.3	2.8	3.1	3.2
Z8H ⁶	130	1.6	1550	CFM	426	401	377	357	341	328	304
				HEMISPHERICAL SONES ³	4.5	4.7	4.7	5.1	5.6	5.8	5.8
				SPHERICAL SONES ⁴	3.4	3.7	3.6	4.1	4.6	4.7	4.8
Z10S ⁷	243	2.5	1050	CFM	469	441	423	403	387	367	347
				HEMISPHERICAL SONES ³	4.5	4.8	5.1	5.4	5.6	5.8	6
				SPHERICAL SONES ⁴	3.4	3.8	4.0	4.4	4.6	4.7	4.9
Z101S	153	1.6	1050	CFM	612	537	467	405	222	116	-
				HEMISPHERICAL SONES ³	3.9	3.6	3.9	4.6	5.5	6	-
				SPHERICAL SONES ⁴	2.9	2.5	2.9	3.6	4.3	5.2	-
Z10H ⁷	390	3.6	1550	CFM	728	694	664	638	613	591	565
				HEMISPHERICAL SONES ³	8.6	8.6	8.6	8.7	8.6	8.8	8.8
				SPHERICAL SONES ⁴	7.3	7.4	7.5	7.4	7.4	7.8	7.7
Z102S	269	4.5	1050	CFM	816	747	691	602	335	-	-
				HEMISPHERICAL SONES ³	5.8	5.8	5.4	5	4.9	-	-
				SPHERICAL SONES ⁴	4.6	4.6	4.1	3.7	3.8	-	-
Z12S	260	2.9	1050	CFM	901	855	812	755	683	552	-
				HEMISPHERICAL SONES ³	5.8	5.9	6.3	6.5	6.5	6	-
				SPHERICAL SONES ⁴	4.6	4.8	5.2	5.2	5.3	5.0	-
Z121S	370	3.6	1050	CFM	1083	1062	1024	949	838	686	270
				HEMISPHERICAL SONES ³	7	6.9	6.6	6.1	5.7	5.3	4.6
				SPHERICAL SONES ⁴	5.9	6.0	5.6	5.1	4.8	4.2	3.6
Z102H	812 (BHP 0.53)	7.5	1550	CFM	1435	1385	1338	1294	1247	1203	1163
				HEMISPHERICAL SONES ³	11.8	11.7	11.9	11.9	11.7	11.3	11
				SPHERICAL SONES ⁴	10.4	10.1	10.3	10.3	10.0	9.8	9.6
Z12H	851 (BHP 0.65)	7.9	1550	CFM	1566	1511	1464	1417	1364	1307	1251
				HEMISPHERICAL SONES ³	13.5	13.3	12.9	12.7	12.3	12	11.7
				SPHERICAL SONES ⁴	11.6	11.4	11.0	11.0	10.7	10.4	10.1

(1) Speed (RPM) shown is nominal. Performance is based on actual speed of test.
 (2) Performance shown is for installation type B - Free Inlet, Ducted Outlet. Performance ratings include the effects of an inlet grille and backdraft damper in the airstream.
 (3) The sound ratings shown are loudness values in fan sones at 5ft. (1.5m) in a hemispherical free field calculated per AMCA Standard 301.
 (4) The spherical sones values are calculated to represent sound in a spherical free field at 5ft. (1.5m) per Annex B of AMCA 311.
 (5) Specify discharge configuration. Standard types are RA, TD, TDA and TDA-RA.
 (6) Z6S and Z6H is the same unit shipped with EASYTAP dual speed motor. Wired on S (low) speed.
 (7) Z8S and Z8H is the same unit shipped with EASYTAP dual speed motor. Wired on S (low) speed.
 (8) Z10S and Z10H is the same unit shipped with EASYTAP dual speed motor. Wired on S (low) speed.

Z3 - Z12 (TDA) | CEILING FANS

- Some selections below one sone.
- AMCA Air & Sound certified.
- UL Listed for UL705 and UL507.
- All motors with thermal overload protection.
- Quick access wiring.
- Easy to balance via variable speed control (Lek-Trol™).
- Field convertible discharge orientation.
- Field convertible from ceiling to inline installation.
- Popular models with multi-speed motor (wide performance range).



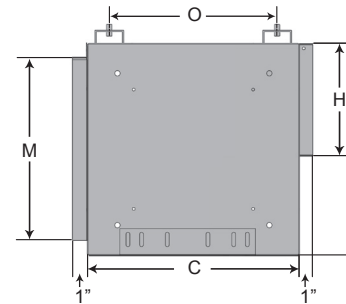
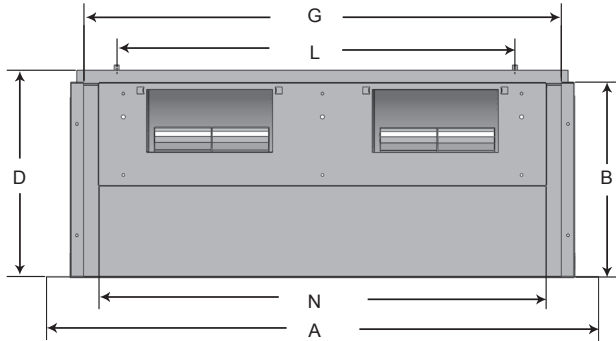
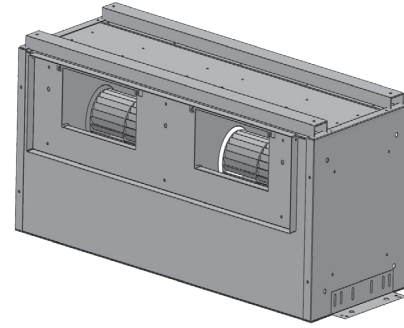
Model	Housing							Outlet Duct			TDA Panel			Est. Shipping Wt. (Lbs.)
	A	B	C	D	E	E'	F	G	H	J	X	Y	Z	
Z3, 5, 6	12 1/2"	9 1/8"	16"	9 1/8"	1 1/4"	1 1/4"	5 3/8"	10"	3 1/4"	3/4"	10"	6"	1 5/8"	14
Z8, 81	13 7/8"	11 3/8"	17 3/8"	11 3/8"	1 7/8"	4"	5 1/4"	8"	6"	3/4"	10"	8"	1 9/16"	20
Z10	18"	14 1/8"	21 1/2"	14 1/8"	3 5/8"	6 3/8"	8"	8"	6"	3/4"	14"	10"	2"	28
Z12, 101, 102, 121	24"	14 1/8"	27 1/2"	14 1/8"	1"	1"	8"	22"	6"	3/4"	20"	10"	2"	52

Model	Max. Watts	Amps	RPM	SP	0.000"	0.125"	0.250"	0.375"	0.500"	0.625"	0.750"	1.000"	1.250"	1.500"	
					CFM	CFM	CFM	CFM	CFM	CFM	CFM	CFM	CFM	CFM	CFM
Z3H (TDA)	42	0.5	1550	HEMISPHERICAL SONES ³	1.7	1.9	-	-	-	-	-	-	-	-	
				SPHERICAL SONES ⁴	0.8	0.9	-	-	-	-	-	-	-	-	-
				CFM	107	81	-	-	-	-	-	-	-	-	-
Z5H (TDA)	83	1	1550	HEMISPHERICAL SONES ³	1.9	2	2.1	2.1	-	-	-	-	-	-	
				SPHERICAL SONES ⁴	0.9	1.0	1.2	1.3	-	-	-	-	-	-	-
				CFM	199	171	143	104	-	-	-	-	-	-	-
Z6S (TDA) ⁵	46	0.6	1050	HEMISPHERICAL SONES ³	0.9	1.2	1.6	-	-	-	-	-	-	-	
				SPHERICAL SONES ⁴	0.3	0.5	0.8	-	-	-	-	-	-	-	-
				CFM	127	93	66	-	-	-	-	-	-	-	-
Z6H (TDA) ⁵	108	1.4	1550	HEMISPHERICAL SONES ³	2.7	2.7	2.8	2.9	-	-	-	-	-	-	
				SPHERICAL SONES ⁴	1.8	1.7	1.8	2.0	-	-	-	-	-	-	-
				CFM	227	192	157	113	-	-	-	-	-	-	-
Z8S (TDA) ⁶	75	1	1050	HEMISPHERICAL SONES ³	1.8	1.9	2.4	2.8	3.3	3.6	3.7	-	-	-	
				SPHERICAL SONES ⁴	0.8	1.0	1.4	1.9	2.3	2.6	2.8	-	-	-	-
				CFM	307	274	252	228	198	152	95	-	-	-	-
Z81S (TDA)	84	0.9	1050	HEMISPHERICAL SONES ³	2.2	2.2	2.5	2.9	3.1	3.3	3.5	-	-	-	
				SPHERICAL SONES ⁴	1.2	1.1	1.4	1.8	2.1	2.3	2.6	-	-	-	-
				CFM	402	376	350	335	318	301	277	-	-	-	-
Z8H (TDA) ⁶	132	1.6	1550	HEMISPHERICAL SONES ³	4.1	3.9	3.9	4.2	4.4	4.6	4.9	-	-	-	
				SPHERICAL SONES ⁴	3.1	2.9	2.9	3.2	3.5	3.8	4.1	-	-	-	-
				CFM	456	423	391	367	350	337	320	268	128	-	-
Z10S (TDA) ⁷	234	2.5	1050	HEMISPHERICAL SONES ³	4.1	4.5	4.7	4.9	5.2	5.4	5.7	6.2	6.4	-	
				SPHERICAL SONES ⁴	3.0	3.4	3.7	3.9	4.2	4.5	4.8	5.2	5.4	-	-
				CFM	609	521	438	373	272	130	-	-	-	-	-
Z101S (TDA)	152	1.6	1050	HEMISPHERICAL SONES ³	3.2	3.4	4.3	4.6	5.2	5.6	-	-	-	-	
				SPHERICAL SONES ⁴	2.2	2.3	3.2	3.5	4.0	4.4	-	-	-	-	-
				CFM	700	661	626	593	558	528	504	455	368	-	-
Z10H (TDA) ⁷	372	3.6	1550	HEMISPHERICAL SONES ³	8	8	7.9	7.9	8	8.2	8.1	8	7.8	-	
				SPHERICAL SONES ⁴	7.0	6.8	6.8	6.8	6.9	7.0	6.9	6.6	6.3	-	-
				CFM	780	720	660	592	336	-	-	-	-	-	-
Z102S (TDA)	273	4.5	1050	HEMISPHERICAL SONES ³	4.6	5.7	5.6	4.8	4.7	-	-	-	-	-	
				SPHERICAL SONES ⁴	3.5	4.5	4.6	3.8	3.7	-	-	-	-	-	-
				CFM	886	829	786	735	660	526	180	-	-	-	-
Z12S (TDA)	263	2.9	1050	HEMISPHERICAL SONES ³	5.5	5.7	5.6	5.8	5.7	5.3	4.7	-	-	-	
				SPHERICAL SONES ⁴	4.4	4.5	4.5	4.7	4.5	4.2	3.7	-	-	-	-
				CFM	1089	1043	981	899	802	672	404	-	-	-	-
Z121S (TDA)	344	3.6	1050	HEMISPHERICAL SONES ³	6.5	6.5	6.3	6	5.7	5.3	4.4	-	-	-	
				SPHERICAL SONES ⁴	5.2	5.3	5.1	4.9	4.6	4.1	3.3	-	-	-	-
				CFM	1397	1348	1301	1253	1206	1162	1121	1034	916	611	-
Z102H (TDA)	810 (BHP 0.53)	7.5	1550	HEMISPHERICAL SONES ³	10.7	10.5	10.7	10.6	10.4	10.1	9.9	9.6	9.4	9	
				SPHERICAL SONES ⁴	9.3	9.1	9.3	9.1	9.0	8.7	8.4	8.2	7.9	7.5	
				CFM	1519	1475	1430	1386	1343	1300	1254	1146	1017	697	-
Z12H (TDA)	810 (BHP 0.53)	7.9	1550	HEMISPHERICAL SONES ³	12.7	12.4	12.2	11.7	11.5	11.2	10.9	10.5	10.2	9.6	
				SPHERICAL SONES ⁴	10.9	10.7	10.5	10.1	9.9	9.6	9.3	9.0	8.5	8.1	
				CFM	1519	1475	1430	1386	1343	1300	1254	1146	1017	697	-

(1) Speed (RPM) shown is nominal. Performance is based on actual speed of test.
 (2) Performance shown is for installation type B - Free Inlet, Ducted Outlet. Performance ratings include the effects of an inlet grille and backdraft damper in the airstream.
 (3) The sound ratings shown are loudness values in fan sones at 5ft. (1.5m) in a hemispherical free field calculated per AMCA Standard 301.
 (4) The spherical sones values are calculated to represent sound in a spherical free field at 5 ft. (1.5m) per Annex B of AMCA 311.
 (5) Specify discharge configuration. Standard types are RA, TD, TDA and TDA-RA.
 (6) Z6S and Z6H is the same unit shipped with EASYTAP dual speed motor. Wired on S (low) speed.
 (7) Z8S and Z8H is the same unit shipped with EASYTAP dual speed motor. Wired on S (low) speed.
 (8) Z10S and Z10H is the same unit shipped with EASYTAP dual speed motor. Wired on S (low) speed.

Z14 & Z15 | LARGE CAPACITY CEILING FANS

- Quiet design with insulated housing.
- Produces high volumes of air at low noise levels.
- Versatile discharge orientations.
- Easy installation in confined spaces.
- AMCA Air certified.
- UL Listed for UL705; Z14 for UL507.



Model	A	B	C	D	L	O	Outlet		Inlet		Est. Shipping Wt. (Lbs.)
							G	H	M	N	
Z14	38"	14 1/2"	14 1/2"	15 1/2"	26 1/2"	7 5/8"	33 3/4"	7 3/4"	12 1/2"	36"	50
Z15	45 1/2"	16 1/2"	16 1/2"	17 1/2"	31 3/4"	10"	41 1/4"	9 3/4"	14 1/2"	43 1/2"	84

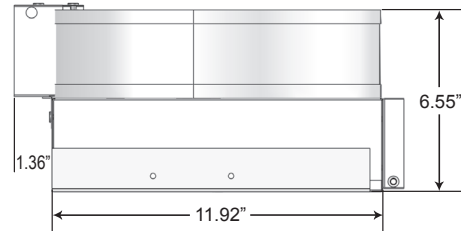
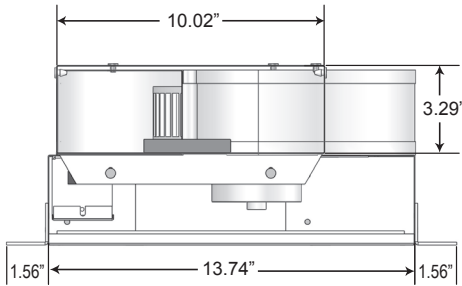
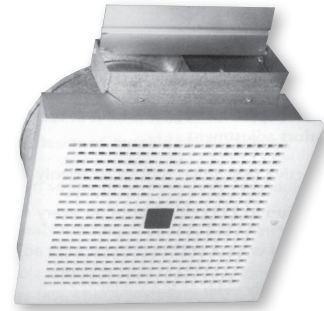
Model	RPM	Inlet Area	Outlet Area	Wheel Dia	Wheel Circ.	SP	0.100"	0.125"	0.250"	0.375"	0.500"	0.625"	0.750"	0.875"	1.00"
							CFM	CFM	CFM	CFM	CFM	CFM	CFM	CFM	CFM
Z14 115/1/60 1/2 HP	1150	0.5	1550	8"	2.09'	HEMISPHERICAL SONES ³	7.9	7.9	7.6	7.1	6.8	6.7	6.6	6.4	-
						SPHERICAL SONES ⁴	6.8	6.7	6.3	6.0	5.6	5.4	5.2	5.0	-
						BHP	0.56	0.56	0.54	0.49	0.45	0.39	0.26	0.15	-
						CFM	2025	2015	1835	1645	1400	880	-	-	-
						HEMISPHERICAL SONES ³	7.2	7.2	6.9	6.4	6.3	6	-	-	-
						SPHERICAL SONES ⁴	6.0	6.0	5.6	5.3	5.0	4.8	-	-	-
	1060	1	1550	8"	2.09'	HEMISPHERICAL SONES ³	0.44	0.43	0.4	0.36	0.33	0.22	-	-	-
						SPHERICAL SONES ⁴	1865	1845	1630	1410	1015	280	-	-	-
						BHP	6.6	6.6	6.2	5.8	5.7	5.3	-	-	-
						CFM	1660	1605	1375	1055	255	-	-	-	-
						HEMISPHERICAL SONES ³	5.8	5.8	5.4	4.8	4.6	-	-	-	-
						SPHERICAL SONES ⁴	4.6	4.5	4.3	4.0	3.7	-	-	-	-
Z15 230/1/60 1 HP	1030	0.9	1050	9"	2.36'	BHP	0.25	0.24	0.21	0.17	0.07	-	-	-	-
						CFM	3290	3260	3100	2920	2720	2510	2260	1930	1140
						HEMISPHERICAL SONES ³	9.5	9.5	9.4	9	8.7	8.6	8.3	8.2	8.1
						SPHERICAL SONES ⁴	8.3	8.2	7.8	7.4	7.0	6.6	6.5	6.4	6.2
						BHP	1.1	1.1	1.05	1	0.96	0.91	0.85	0.75	0.52
						CFM	3185	3155	2990	2800	2590	2365	2085	1625	-
	1000	1.6	1550	9"	2.36'	HEMISPHERICAL SONES ³	9.4	9.4	9.2	8.7	8.4	8.3	8	7.7	-
						SPHERICAL SONES ⁴	7.7	7.7	7.3	6.9	6.5	6.1	6.0	5.9	-
						BHP	1	1	0.95	0.91	0.86	0.81	0.73	0.61	-
						CFM	3015	2980	2805	2600	2375	2115	1755	-	-
						HEMISPHERICAL SONES ³	8.8	8.8	8.6	8.2	7.8	7.6	7.4	-	-
						SPHERICAL SONES ⁴	6.8	6.8	6.4	6.1	5.7	5.4	5.2	-	-
950	2.5	1050	9"	2.36'	BHP	0.86	0.85	0.81	0.77	0.72	0.66	0.56	-	-	
					CFM	2775	2735	2535	2305	2045	1715	-	-	-	
					HEMISPHERICAL SONES ³	8	7.9	7.8	7.4	7.1	6.9	-	-	-	
					SPHERICAL SONES ⁴	5.6	5.5	5.2	4.9	4.6	4.3	-	-	-	
					BHP	0.68	0.68	0.63	0.59	0.54	0.46	-	-	-	
					CFM	2775	2735	2535	2305	2045	1715	-	-	-	

(1) Speed (RPM) shown is nominal. Performance is based on actual speed of test.
 (2) Other speeds listed are obtainable by using Lek-Trol™ model LT40 for fan units Z14 and Lek-Trol™ LT35 for fan unit Z15.
 (3) The sound ratings shown are loudness values in fan sones at 5ft. (1.5m) in a hemispherical free field calculated per AMCA Standard 301.
 (4) The spherical sones values are calculated to represent sound in a spherical free field at 5 ft. (1.5m) per Annex B of AMCA 311.
 (5) Performances shown is for installation type B - Free inlet, Ducted outlet.
 (6) The AMCA Certified Ratings Seal applies to air capacities only. Performance ratings do not include the effects of appurtenances in the airstream.

©PENNBARRY 2015

ZT & ZJ1 | LOW PROFILE CEILING FANS

- Quiet Operation: Low sone level, non-overloading low power consumption design.
- Thermal overload protection integral with motor.
- Rust resistant, durable housing of galvanized steel.
- UL Listed for UL705 and UL507.
- AMCA Air certified.
- Lek-Trol™: Variable speed controller can be built into fan housing for precise system balancing and energy conservation.

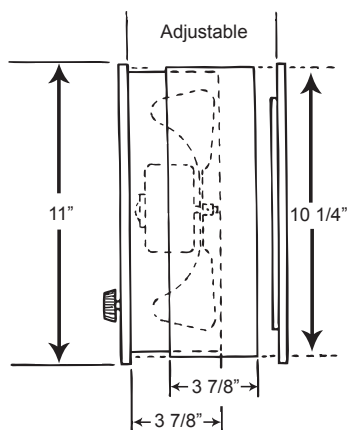
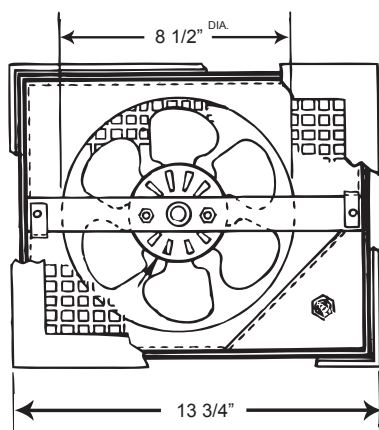


Model	Max. Watts	Motor 60Hz AC	Motor RPM	SP	0.0"	.10"	.125"	.250"	.375"	.500"	.625"	.750"	Est. Shipping Wt. (Lbs.)
					CFM	HEMISPHERICAL SONES ⁴	SPHERICAL SONES ⁵	RPM	CFM	HEMISPHERICAL SONES ⁴	SPHERICAL SONES ⁵	RPM	
ZT	48	115/1	1200	CFM	91	88	88	85	75	49	–	–	14
				HEMISPHERICAL SONES ⁴	1.8	2.2	2.3	2.8	3.0	3.2	–	–	
				SPHERICAL SONES ⁵	1.3	1.5	1.5	1.8	2.0	2.3	–	–	
				RPM	840	930	970	1110	1280	1460	–	–	
ZJ1	125	115/1	1200	CFM	149	156	157	158	160	153	138	117	14
				HEMISPHERICAL SONES ⁴	2.0	2.3	2.4	3.0	3.4	3.4	3.6	3.5	
				SPHERICAL SONES ⁵	1.2	1.5	1.6	1.9	2.2	2.5	2.8	3.1	
				RPM	760	1000	1020	1150	1240	1360	1450	1520	

(1) Performance shown is for installation type A - Free inlet, Free outlet.
 (2) Performance ratings include the effects of inlet grille and backdraft damper in the airstream.
 (3) Speed (RPM) shown is nominal. Performance is based on actual speed of test.
 (4) The sound ratings shown are loudness values in fan sones at 5ft. (1.5m) in a hemispherical free field calculated per AMCA Standard 301.
 (5) The spherical sones values are calculated to represent sound in a spherical free field at 5 ft. (1.5m) per Annex B of AMCA 311.
 (6) Values shown are for installation Type A: free inlet fan sone levels. The AMCA Certified Ratings Seal applies to air performance ratings only.

TRANSFAN | TRANSFER FAN

- Fits easily between wall studs or ceiling joists.
- Variable speed controller is built-in for individual comfort adjustment.
- Attractive face grilles diffuses air evenly.
- Moves up to 255 cubic feet of air every minute.
- Installs in walls 3 3/4" to 5" thick with an adjustable sleeve.
- Runs quietly, even at top speed.
- 490 RPM fan speed; 115 Volts single phase; 60/50 Hz.
- 255 CFM air capacity at 0" S.P.
- UL Listed for UL705 and UL507.
- 9.5 lbs. Shipping weight.

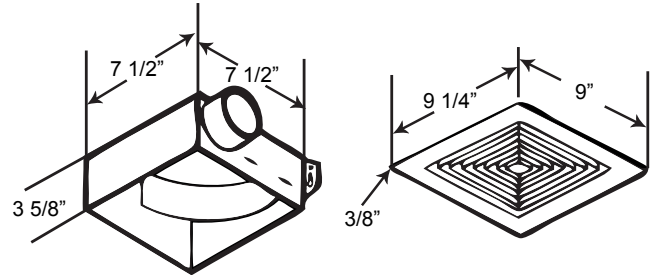


Model	Max Watts	Motor 50/60 Hz AC	Motor RPM	Fan Capacity - CFM				Est. Shipping Wt. (Lbs.)
				SP	CFM	HEMISPHERICAL SONES ¹	SPHERICAL SONES ²	
TF8	60	115/1	1250	0.000	255	2.3	1.0	9
				0.050	231	2.2	1.0	
				0.100	178	1.9	0.9	
				0.200	132	1.8	0.8	

(1) The sound ratings shown are loudness values in fan sones at 5ft. (1.5m) in a hemispherical free field calculated per AMCA Standard 301.
 (2) The spherical sones values are calculated to represent sound in a spherical free field at 5 ft. (1.5m) per Annex B of AMCA 311.
 (3) Performance shown is for installation type A - free inlet, free outlet.
 (4) Performance ratings include the effects of inlet and outlet grilles installed.
 (5) Speed (RPM) shown is nominal. Performance is based on actual speed of test. AMCA certified for Air Performance only.

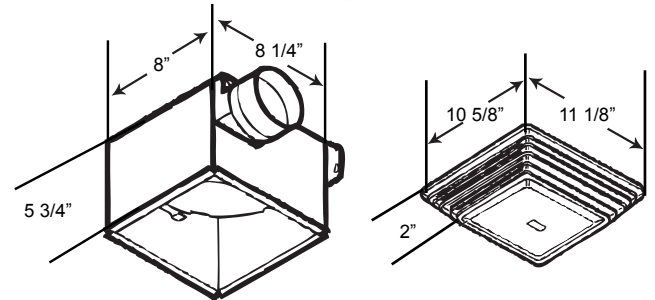
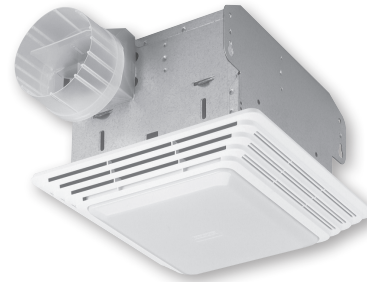
Z1 | LOW FLOW CEILING FAN

- 56 CFM @ 0.0" Ps.
- Quiet-designed durable blower wheels.
- Torsion spring grille mounting; no tools needed.
- Compact housings fit easily between wall studs.
- Double strength steel mounting flanges with keyhole lots for fast, sturdy installation.
- UL507 Listed for use over bathtubs and showers when connected to a GFCI protected branch circuit.
- AMCA Air and Sound certified.



ZL1 & ZL2 | CEILING FANS WITH LIGHT

- 62 CFM @ 0.0" Ps – Model ZL1
- 97 CFM @ 0.0" Ps – Model ZL2
- 100 watt lighting (bulb not included)
- Totally enclosed low RPM motor with sealed bearings.
- Centrifugal blower wheel.
- White molded polymeric grille with unbreakable light lens.
- Plug-in receptacles for fan and light.
- Rugged steel housing with built-in mounting brackets.
- 4" Polymeric duct connector.
- Durable damper eliminates backdrafts; no metallic clatter.
- UL507 Listed for use over bathtubs and showers when connected to a GFCI protected branch circuit.
- AMCA Air and Sound certified.



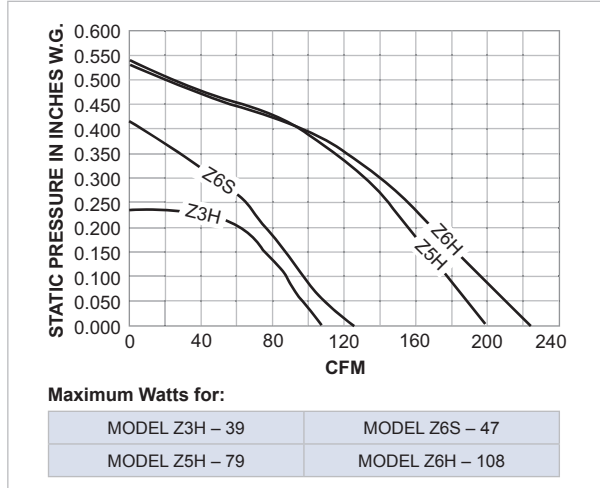
Model	SONES at 0.0" Ps	Spherical SONES at 0.0" Ps	CFM at Static Pressure (Ps - Inches of H ₂ O)						Volts	Watts	Nominal RPM	Duct Dia.	Est. Shipping Wt. (Lbs.)
			0.000	.100	.125	.250	.375	.500					
Z1	3.4	2.3	56	51	50	46	41	32	120	55	1700	3"	5
ZL1	1.9	1.8	62	51	49	32	9	-	120	30	1070	4"	7
ZL2	4.0	3.4	97	87	84	69	50	19	120	50	1380	4"	8

(1) Performance shown is for installation type B - Free inlet, ducted outlet.
 (2) Performance ratings include the effects of inlet grille and backdraft damper in the airstream.
 (3) Speed (RPM) shown is nominal. Performance is based on actual speed of test.
 (4) The sound ratings shown are loudness values in fan sones at 5ft. (1.5m) in a hemispherical free field calculated per AMCA Standard 301
 (5) The spherical sones values are calculated to represent sound in a spherical free field at 5 ft. (1.5m) per Annex B of AMCA 311.
 (6) Values shown are for installation Type B: free inlet fan sone levels.

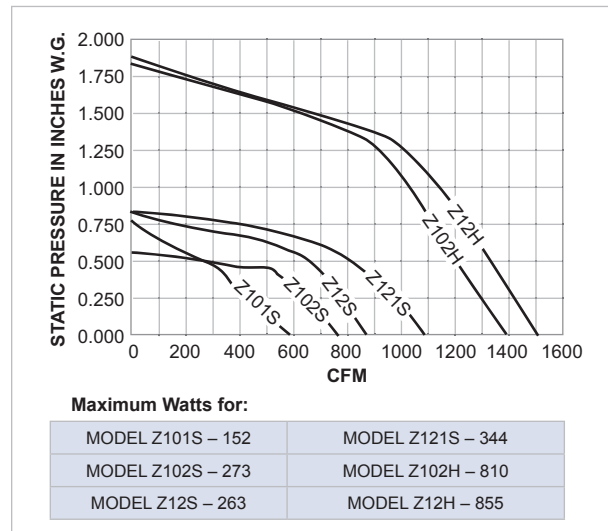
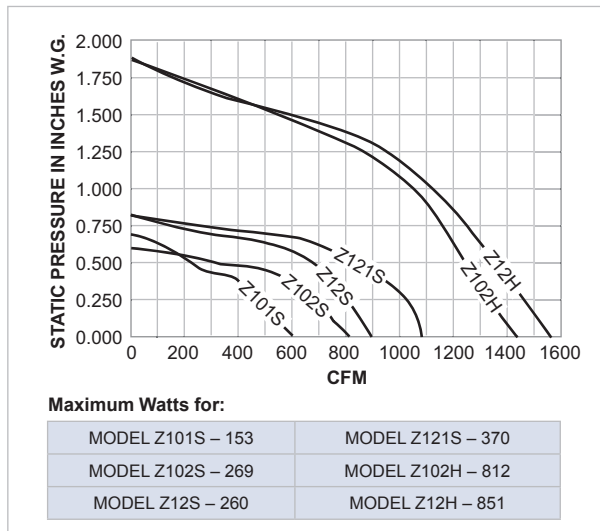
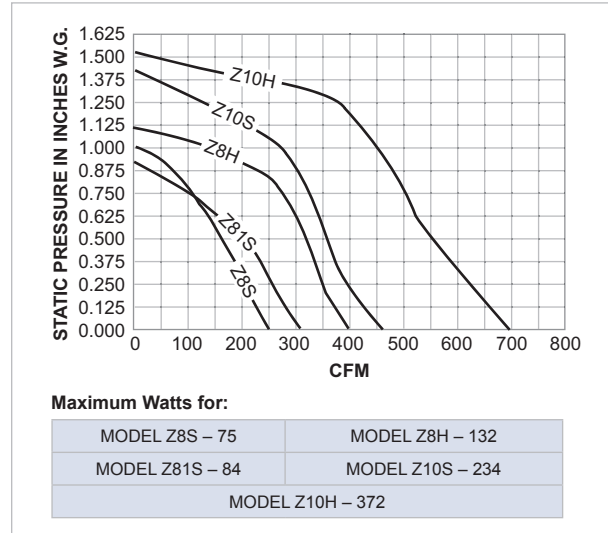
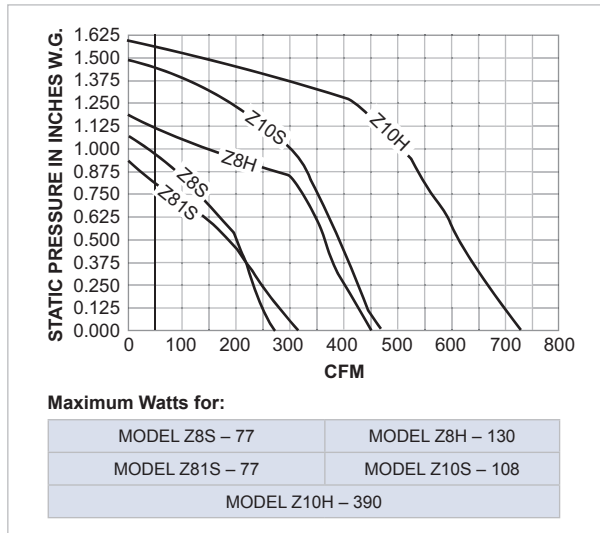
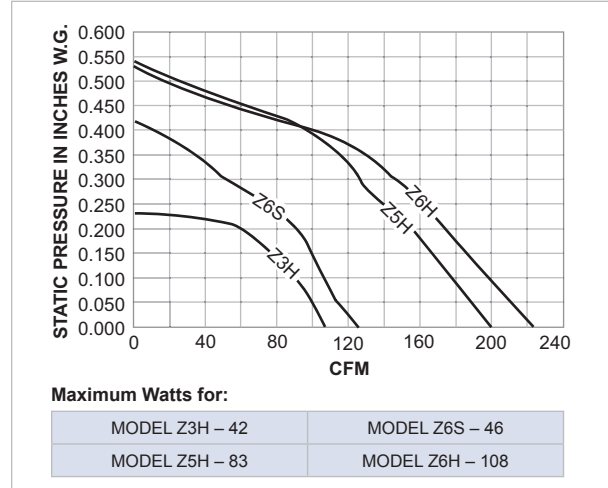
FAN CURVES

All Zephyr fan curves are based on laboratory tests conducted in accordance with AMCA standards. The curves shown below summarize the sizes and speeds of units available.

RA Models



TDA Models



ENGINEERING SPECIFICATIONS

<p>Model Z = Ceiling Fan</p> <p>Unit Size 3, 5, 6, 8, 10, 12, 14, 15, 81, 101,102, 121</p> <p>Motor Tap S = Slow Speed H = High Speed</p> <p>Motor Speed 1 = Single Speed 2 = 2S2W Single & Three Phase 3 = 2S1W Three Phase</p> <p>Enclosure O = Open Drip Proof E = Explosion Proof</p> <p>Voltage See selection software.</p> <p>Cycle 5 = 50 Hz 6 = 60 Hz</p> <p>Discharge Orientation R = Right Angle T = Top Discharge / Inline</p> <p>Damper 0 = None D = Ceiling</p> <p>Curb Cap C = Curb Mounted F = Flat Roof S = Sloped Roof W = Wall Mount 0 = None</p> <p>Brick Vent 0 = None B = Brick Vent</p> <p>Steel Grille 0 = None G = Steel Grille</p> <p>Square to Round Transition 0 = None T = Square to Round Transition</p> <p>Top Discharge 0 = None T = TDA Kit Factory Installed F = TDA Field Mount</p> <p>Vibration Isolation 0 = None RH = Rubber Hanger</p>	<p>Transformer* 0 = None T = Transformer</p> <p>Speed Controller 0 = None L = Loose M = Mounted</p> <p>Thermostat 0 = None</p> <p>Air Minder Switch 0 = None D = Air Minder Time Delay Switch</p> <p>Motion Sensor 0 = None M = Motion Sensor</p> <p>Pilot Light 0 = None P = Pilot Light</p> <p>2 Speed Switch 0 = None</p>
---	---

<p>Zephyr Z3 - Z15 Direct drive ceiling and cabinet fan shall be Zephyr (model Z), manufactured by PennBarry.</p> <p>Fan housings shall be acoustically insulated, galvanized steel, and include integral backdraft damper which shall be chatter proof. Grille face shall be of aerodynamic white egg crate design and provide 85% free area. Fans shall be provided with cord, plug, and receptacle inside the housing.</p> <p>Entire fan, motor and wheel assembly shall be removable. Fans shall be available with TDA panel for inline orientation. Units shall be field convertible from right angle to top discharge. Fans shall have forward curved centrifugal wheel(s). Fan motors shall be multi-speed (for applicable models), positively cooled, have thermal overload protection, be suitably grounded, and mounted on vibration isolators.</p> <p>Each fan shall bear the AMCA Licensed Rating Seal for Air and Sound Performance (Z) or Air Performance (Z14/15), and shall be UL listed for UL705 and UL507.</p> <p>Note: Model Z15 is not UL507 certified.</p>

ENGINEERING SPECIFICATIONS

Model

Z1 = Low Flow Ceiling Fan
 ZL1 / ZL2 = Ceiling Fan with Light
 ZJ1 / ZT = Low Profile Ceiling Fan
 TF8 = Transfer Fan

Unit Size

0 = None

Drive Type

D = Direct Drive
 B = Belt Drive

Motor Tap

0 = None

Enclosure

O = Open Drip Proof

Voltage

A = 115V

Cycle

6 = 60 Hz

Discharge Orientation

R = Right Angle

Damper*

0 = None BDD = Backdraft Damper

Curb Cap

C = Curb Mounted
 F = Flat Roof
 S = Sloped Roof
 W = Wall Mount
 0 = None

Brick Vent

0 = None
 B = Brick Vent

Steel Grille*

0 = None
 G = Steel Grille

Square to Round Transition*

0 = None
 T = Square to Round Transition

Top Discharge*

0 = None
 T = TDA Kit Factory Installed
 F = TDA Field Mount

Vibration Isolation

0 = None RH = Rubber Hanger

Transformer*

0 = None T = Transformer

Speed Controller

0 = None L = Loose M = Mounted

Thermostat

0 = None

Air Minder Switch

0 = None D = Air Minder Time Delay Switch

Motion Sensor

0 = None

M = Motion Sensor

Pilot Light

0 = None

P = Pilot Light

* Does not apply to models Z1, ZL1, ZL2

Zephyr Z1, ZL1, & ZL2

Direct drive ceiling and cabinet fan shall be Zephyr (model Z1) or Zephyr Light (models ZL1 / ZL2) and be supplied by PennBarry.

Fan housings shall be painted steel and include integral backdraft damper which shall be chatter proof. Face grille shall be of aerodynamic design and include an unbreakable lens for use with a 100 watt (max) bulb (except Z1). Fans shall be provided with cord, plug and receptacle inside the housing. Entire fan, motor and wheel assembly shall be removable. Fans shall have a forward curved centrifugal wheel. Fan motors shall be positively cooled, have thermal overload protection, be suitably grounded and mounted on vibration isolators.

Each fan shall bear the AMCA Licensed Rating Seal for Air and Sound Performance and be UL507 listed.

Zephyrette & Zephyr Jr.

All ceiling and/or wall mounted fans indicated on the plans and schedule shall be Zephyr Jr. (model ZJ1) or Zephyrette (model ZT), supplied by PennBarry.

Air deliveries and maximum sone levels shall be as indicated on the plans. Fans shall be listed with Underwriters Laboratories. Fans shall feature true steel centrifugal wheels and the galvanized steel fan casing shall incorporate an integral backdraft damper. Motor speed shall not exceed listed RPM. Grille shall be of white egg-crate shape design, comply with OSHA requirements and provide 85% free open area. Terminal box shall be provided with cord, plug and receptacle. Entire fan, motor and wheel assembly shall be removable without disturbing the housing.

Each fan shall be UL705 and UL507 listed.

Zephyr Transfan

Direct drive axial room-to-room fan shall be Transfan (model TF8), supplied by PennBarry.

Fan housing shall be galvanized steel and shall include an adjustable sleeve to accommodate various wall thicknesses. Two-faced grilles shall be of aerodynamic white egg crate design and provide 85% free area. Entire fan, motor and propeller assembly shall be removable. Propellers shall be die formed aluminum. Fan motor shall be permanently lubricated, positively cooled, & have thermal overload protection. Fans shall be provided with cord, plug, speed controller and receptacle factory installed inside the housing.

Each fan shall bear the AMCA Licensed Ratings Seal for Air Performance and be UL705 and UL507 listed.



PennBarry Product Solutions

COMMERCIAL

Roof & Wall Exhaust Centrifugal Fans
Ceiling, Wall, & Inline Centrifugal Fans
Roof Supply Centrifugal Fans
Square & Round Centrifugal Fans
Wall Mounted Axial Fans
Hooded Roof Axial Fans
Upblast Roof Axial Fans
Gravity Ventilators
Roof Curbs

INDUSTRIAL

Utility Vent Sets
Freestanding Centrifugal Fans
Industrial & Material Handling Fans
Tubular Centrifugal Inline Fans
Mixed Flow Centrifugal Fans
Plug & Plenum Fans
Wall Mounted Propeller Fans
Tube Axial Fans
Vane Axial Fans
Bifurcator Fans
Fume Exhaust

ENERGY RECOVERY

Outdoor Units
Indoor Units

KITCHEN VENTILATION

Kitchen Hoods
Make-Up Air Units
Exhaust Fans



PENN BARRY™

Moving Your Way

PennBarry is proud to be your preferred manufacturer of commercial and industrial fans and blowers. Learn how PennBarry can assist you in your next application by contacting your PennBarry Representative or visiting us on the web at www.pennbarry.com.

PennBarry | www.pennbarry.com | pennbarrysales@pennbarry.com | tel: 972.212.4700 | fax: 972.212.4702

PennBarry reserves the right to make changes at any time, without notice, to models, construction, specifications, options, availability, etc. This bulletin illustrates the appearance of PennBarry products at the time of publication. View the latest updates on the PennBarry website.

© Copyright 2015 PennBarry. All Rights Reserved. ZEPHYR OCTOBER 2015