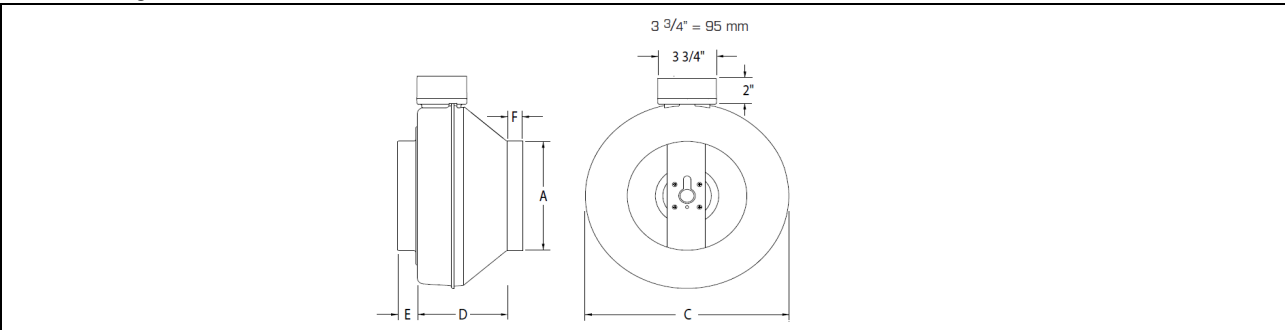


K SERIES

INLINE DUCT FAN



Dimensional Diagram:



Dimensional Table:

Model	A	C	D	E	F
K 4-EF	4	8-1/2	6-1/2	1	1
K 4XL-EF	4	9-3/4	6-15/16	1	1
K 5-EF	5	8-5/8	6-1/2	1	1
K 5XL-EF	5	9-3/4	6	1-1/18	1-1/8
K 6-EF	6	11-3/8	6-1/4	1	7/8
K 6M-EF	6	13-1/8	7	1	1
K 6XL-EF	6	13-1/8	7	1	1
K 8-EF	8	13-1/4	6	1	1
K 8XL-EF	8	13-1/4	6	1-1/8	1
K 10-EF	10	13-1/4	4-3/4	1-1/8	1
K 10XL-EF	10	13-1/4	4-13/16	1-1/4	1
K 12-EF	12	16	6-11/16	1-1/4	1
K 12XL-EF	12	16	6-11/16	1-1/2	1

Dimensions are in inches

Performance Data:

Certified Data

Model Name	Rated Power	Voltage/phase	Max Amp	RPM	0.0"Ps	0.2"Ps	0.4"Ps	0.6"Ps	0.8"Ps	1.0"Ps	1.5"Ps	Max Ps (Inch W.C.)	Shipping weight	Item #
	W	V/~	A	min ⁻¹	CFM									
K 4-EF*	20	120 / 1	0.19	3000	135	110	83	55	25	-	-	0.94	7	40513
K 4XL-EF	71	120 / 1	0.66	2700	170	150	134	119	103	86	40	1.98	8	40514
K 5-EF*	20	120 / 1	0.19	3000	156	130	99	66	33	-	-	0.99	7	40515
K 5XL-EF	73	120 / 1	0.68	2700	220	190	160	135	112	91	41	1.89	8	40516
K 6-EF*	72	120 / 1	0.68	2700	303	270	232	196	164	134	58	1.88	10	40517
K 6M-EF	120	120 / 1	1.02	2350	418	370	317	268	224	186	101	2.10	12	49906
K 6XL-EF	153	120 / 1	1.48	2900	483	450	409	369	329	289	201	2.41	12	40518
K 8-EF	119	120 / 1	1.14	2550	461	410	351	295	243	191	97	2.11	12	40519
K 8XL-EF	142	120 / 1	1.45	2950	502	470	428	388	351	313	218	2.40	13	40520
K 10-EF	138	120 / 1	1.43	3000	513	480	444	407	366	324	216	2.36	12	40521
K 10XL-EF	196	120 / 1	1.96	3100	589	560	531	503	472	441	355	3.02	14	40522
K 12-EF	181	120 / 1	1.87	2600	741	680	601	515	434	363	236	2.99	18	40523
K 12XL-EF	301	120 / 1	3.01	2900	940	880	819	746	670	596	425	2.74	21	40524

Performance certified is for installation type D: Ducted inlet, Ducted outlet.
 Speed (RPM) shown is nominal. Performance is based on actual speed of test.
 Performance ratings do not include the effects of appurtenances (accessories).
 * This product earned ENERGY STAR® by meeting strict efficiency guidelines.

Certifications:



Systemair Mfg. Inc. certifies that the K series shown herein is licensed to bear the AMCA seal. The ratings shown are based on tests and procedures performed in accordance with AMCA Publication 211 and comply with the requirements of the AMCA Certified Ratings Program.

Catalog series: K
 Revision date: October 2019