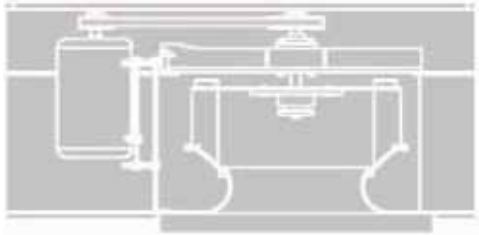
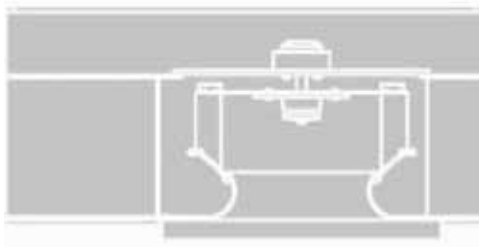


LO-PRO

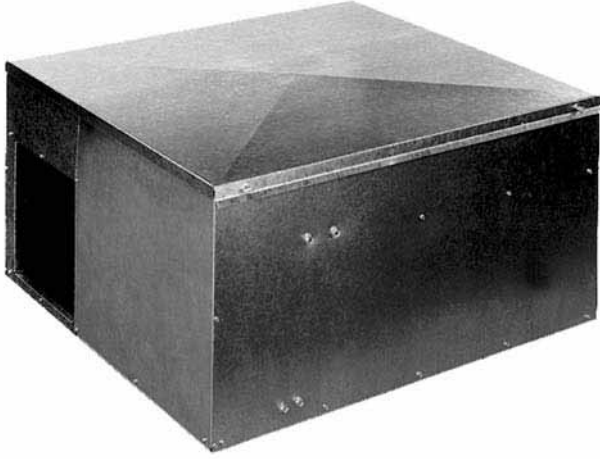
Low Profile High Pressure Roof Exhaust Ventilator



	Page
Introduction	2
Construction Features	3
Specification and Dimension Data	
LPD (Low Profile Centrifugal – Direct Drive)	4
LPB (Low Profile Centrifugal – Belt Drive)	5
Accessories	6-8
Performance and Sound Data	
100-165 LPD	9
100-540 LPB	10-27
UL 762 Listed for Restaurant Exhaust Appliances	28

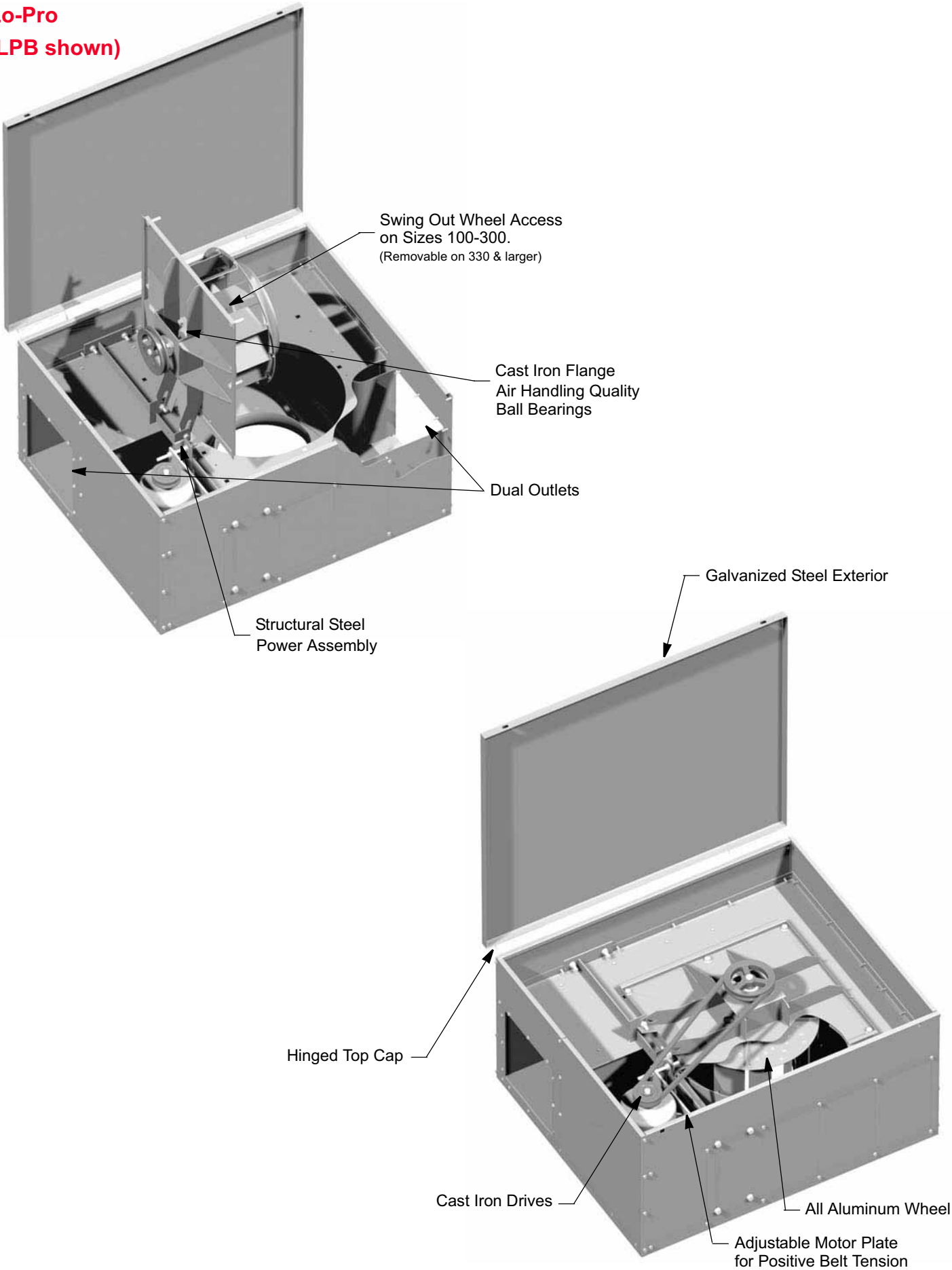
Introduction

Cook's low profile roof exhaust ventilator provides maximum performance and durability in a wide variety of applications from general ventilator to restaurant hood exhaust. The Lo-Pro's one-of-a-kind double scroll design produces higher airflow volumes and static pressures than the conventional roof exhaust ventilator.

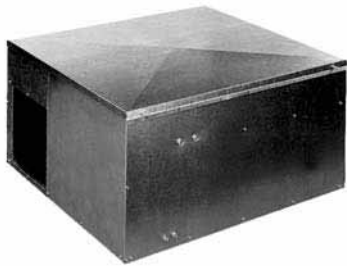


- Heavy gauge galvanized steel exterior is designed for maximum weather protection.
- Standard hinged top access panel on sizes 100 through 300, and removable top access panel on sizes 330 through 540.
- Hinged wheel access door on sizes 100 through 300, and removable wheel panel on sizes 300 through 540 allow the wheel and fan to be cleaned without compromising the fan to ductwork seal.
- Wheels are centrifugal type featuring non-overloading, backward-inclined blades and a tapered inlet shroud.
- When provided with optional outlet diverter the LPB is available as a UL Listed 762 for Power Ventilator for Restaurant Exhaust Appliances.
- All units are licensed to bear the AMCA Certified Ratings Seal for Air and Sound Performance.
- Available in 5 direct drive sizes and eighteen belt drive sizes. Capacities range from 650 to 55,000 CFM, with static pressure from 0 to 3 inches.

Lo-Pro (LPB shown)



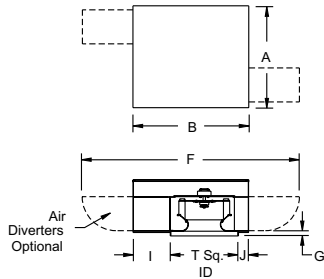
Low Profile Centrifugal Exhaust Ventilator Roof Mounted/Direct Drive



Loren Cook Company certifies that the LPD shown herein is licensed to bear the AMCA Seal. The ratings shown are based on tests and procedures performed in accordance with AMCA Publication 211 and AMCA Publication 311 and comply with the requirements of the AMCA Certified Ratings Program.



Type LPD is furnished standard with UL 705 listing and cUL 705 listing (Power Ventilator/ZACT) when furnished with factory supplied motor.



Description - Fan shall be a low profile, roof mounted, direct driven, upblast exhaust ventilator.

Certifications - Fan shall be manufactured at an ISO 9001 certified facility. Fan shall be listed by Underwriters Laboratories (UL 705) and UL listed for Canada (cUL 705). Fan shall bear the AMCA Certified Ratings Seal for Sound and Air Performance.

Construction - The fan shall be of bolted and welded construction utilizing corrosion resistant fasteners. The aluminum base shall have a one piece inlet spinning and continuously welded curb cap corners for maximum leak protection. The top cap shall have quick release latches to provide access into the motor compartment. The motor shall be mounted on a minimum 14 gauge steel power assembly. These components shall be enclosed in a weather-tight compartment, separated from the exhaust airstream. Diverters shall be provided to discharge air vertically. Fan wheel and motor shall be mounted to a hinged access door for inspection and cleaning. Unit shall bear an engraved aluminum nameplate. Nameplate shall indicate design CFM and static pressure. Unit shall be shipped in ISTA Certified Transit Tested Packaging.

Wheel - Wheel shall be centrifugal backward inclined, constructed of 100% aluminum, including a precision machined cast aluminum hub. An aerodynamic aluminum inlet cone shall be provided for maximum performance and efficiency. Wheel hub shall be keyed and securely attached to the fan shaft. Wheel shall be balanced in accordance with AMCA Standard 204-96, Balance Quality and Vibration Levels for Fans

Motor - Motor shall be heavy duty type with permanently lubricated sealed bearings and furnished at the specified voltage, phase and enclosure.

Product - Fan shall be model LPD as manufactured by Loren Cook Company of Springfield, Missouri.

LPD Dimension Data

Size	A	B	C	D ID	E ID	F	G
100	22-1/16	29-7/8	13-7/8	6-11/16	6-25/32	52-3/16	2
120	25-11/16	32-3/8	15-3/8	8	8-5/32	58-13/16	2
135	28-7/16	34-1/2	16-3/8	9	9-3/16	64-1/8	2
150	31-1/8	36-11/16	17-3/8	10	10-7/32	69-3/8	2
165	33-13/16	39	18-3/8	11	11-7/32	74-11/16	2

Size	H	I	J	T Sq. ID	Shipping Weight	Roof Opening Sq.*
100	1-1/32	8-19/32	1-9/32	20	110	15-1/2
120	27/32	7-29/32	15/32	24	130	19-1/2
135	2-7/32	8-15/16	1-9/16	24	146	19-1/2
150	3-9/16	9-15/16	2-3/4	24	162	19-1/2
165	4-29/32	10-15/16	4-1/16	24	183	19-1/2

All dimensions in inches. Wights in pounds.

*Roof opening size for curbs supplied by Loren Cook Company only.

Description - Fan shall be a low profile, roof mounted, belt driven, centrifugal exhaust ventilator.

Certifications - Fan shall be manufactured at an ISO 9001 certified facility. Fan shall be listed by Underwriters Laboratories (UL 705) and UL listed for Canada (cUL 705). For restaurant applications, fan shall be listed by Underwriters Laboratories (UL/cUL 762) for US and Canada. Fan shall bear the AMCA Certified Ratings Seal for Sound and Air Performance.

Construction - The fan shall be of bolted and welded construction utilizing corrosion resistant fasteners. The aluminum base shall have a one piece inlet spinning and continuously welded curb cap corners for maximum leak protection. The top cap shall have quick release latches to provide access into the motor compartment. The motor, bearings and drives shall be mounted on a minimum 14 gauge steel power assembly. These components shall be enclosed in a weather-tight compartment, separated from the exhaust air stream. Diverters shall be provided to discharge air vertically. Fan wheel shall be mounted to an access door for inspection and cleaning. Access door for sizes 100 to 300 shall be hinged, sizes above 300 shall be removable. Unit shall bear an engraved aluminum nameplate. Nameplate shall indicate design CFM, static pressure, and maximum fan RPM. Unit shall be shipped in ISTA Certified Transit Tested Packaging.

Wheel - Wheel shall be centrifugal backward inclined, constructed of 100% aluminum, including a precision machined cast aluminum hub. Wheel hub shall be keyed and securely attached to the fan shaft. Wheel inlet shall overlap an aerodynamic aluminum inlet cone to provide maximum performance and efficiency. Wheel shall be balanced in accordance with AMCA Standard 204-96, Balance Quality and Vibration Levels for Fans.

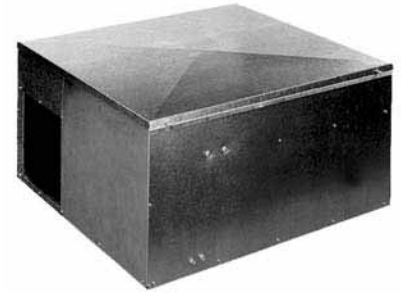
Motor - Motor shall be heavy duty type with permanently lubricated sealed ball bearings and furnished at the specified voltage, phase and enclosure.

Bearings - Bearings shall be designed and individually tested specifically for use in air handling applications. Construction shall be heavy duty regreasable ball type in a cast iron housing selected for a minimum L50 life in excess of 200,000 hours at maximum cataloged operating speed.

Belts and Drives - Belts shall be oil and heat resistant, non-static type. Drives shall be precision machined cast iron type, keyed and securely attached to the wheel and motor shafts. Drives shall be sized for 150% of the installed motor horsepower. The variable pitch motor drive must be factory set to the specified fan RPM.

Product - Fan shall be model LPB as manufactured by Loren Cook Company of Springfield, Missouri.

Low Profile Centrifugal Exhaust Ventilator Roof Mounted/Belt Drive



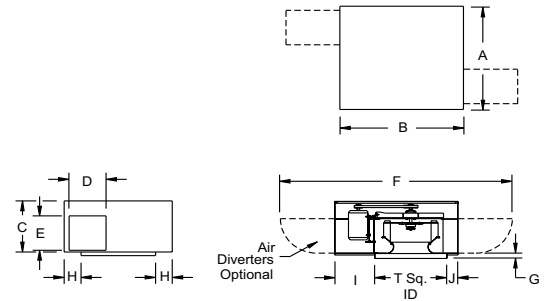
Loren Cook Company certifies that the LPB shown herein is licensed to bear the AMCA Seal. The ratings shown are based on tests and procedures performed in accordance with AMCA Publication 211 and AMCA Publication 311 and comply with the requirements of the AMCA Certified Ratings Program.



Type LPB is furnished standard with UL 705 listing and cUL 705 listing (Power Ventilator/ZACT) when furnished with factory supplied motor.



Type LPB is furnished standard with UL 762 and cUL 762 listings (Power Ventilator for Restaurant Exhaust Appliances/YZHW) when furnished with factory supplied motor and air diverter.



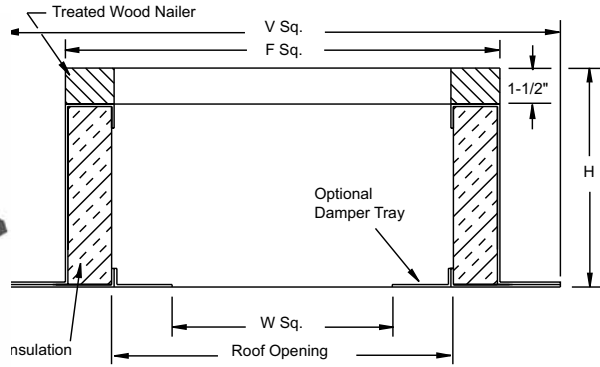
LPB Dimension Data

Size	A	B	C	D ID	E ID	F	G	H	I	J	T Sq. ID	Shipping Weight	Roof Opening Sq.*
100	22-1/16	29-7/8	13-7/8	16-11/16	6-25/32	52-3/16	2	1-1/32	8-19/32	1-9/32	20	110	15-1/2
120	25-11/16	32-3/8	15-3/8	8	8-5/32	58-13/16	2	27/32	7-29	15/32	24	130	19-1/2
135	28-7/16	34-1/2	16-3/8	9	9-3/16	64-1/8	2	2-7/32	8-15/16	1-9/16	24	146	19-1/2
150	31-1/8	36-11/16	17-3/8	10	10-7/32	69-3/8	2	3-9/16	9-15/16	2-3/4	24	162	19-1/2
165	33-13/16	39	18-3/8	11	11-7/32	74-11/16	2	4-29/32	10-15/16	4-1/16	24	183	19-1/2
180	36-1/2	40-13/16	20-3/8	12	12-1/4	79-9/16	2	3-1/4	8-7/8	1-15/16	30	224	25-1/2
195	39-1/4	49	21-3/8	13	13-1/4	90-3/4	2	4-5/8	16-3/16	2-13/16	30	276	25-1/2
210	42	50-15/16	23-3/8	14	14-9/32	95-3/4	2	6	17-1/4	3-11/16	30	302	25-1/2
225	44-5/8	52-11/16	25-1/4	15	15-5/16	100-9/16	3	7-5/16	18-5/32	4-17/32	30	378	25-1/2
245	48-5/16	55-3/16	26-1/2	16	16-1/4	105-15/16	3	6-5/32	16-17/32	2-21/32	36	475	31-1/2
270	52-13/16	58-1/4	28	17-15/16	17-31/32	115-3/16	3	8-13/32	18-5/32	4-3/32	36	530	31-1/2
300	58-3/16	63-1/8	31-1/4	19-27/32	19-11/16	125-3/16	3	8-3/32	18-11/32	2-25/32	42	740	37-1/2
330	63-5/8	66-11/16	32-1/4	21-3/4	21-13/32	132-7/8	3	10-13/16	20-9/32	4-13/32	42	810	37-1/2
365	69-15/16	71-1/16	34-1/4	24	23-7/16	143-3/8	3	10-31/32	19-5/8	3-7/16	48	1040	43-1/2
402	76-3/4	75-11/16	36-3/8	26-13/32	25-9/16	154-3/8	3	14-3/8	22-5/32	5-17/32	48	1187	43-1/2
445	84-7/16	83-5/8	40	29-1/8	28	169-5/8	3	12-7/32	21-23/32	1-29/32	60	1455	55-1/2
490	92-9/16	91-1/4	42-1/2	32	30-9/16	184-15/16	3	16-9/32	26-13/16	4-7/16	60	1675	55-1/2
540	101-9/16	97-3/8	52-1/2	29-13/16	39-1/2	217-7/8	3	17-25/32	27-1/8	4-1/4	66	2205	61-1/2

All dimensions in inches. *Roof opening size for curbs supplied by Loren Cook Company only.

Accessories

Roof Curb



Standard Construction Features

- 18 gauge galvanized steel (RCG) or .080 aluminum (RCA).
- 1-1/2", 3 lbs. density thermal and acoustical insulation.
- Continuously welded corners.
- Wood nailer.

Options

- Damper tray.
- No wood nailer (deduct 1-1/2" for actual height).
- 13-1/2" tall construction.

Galvanized Steel or Aluminum Roof Curb

Size	Curb Catalog Number		F Sq.	H	V Sq.	W Sq.	Roof Opening
	Galvanized	Aluminum					
100	RCG-18	RCA-18	18-1/2	9-1/2	22-1/2	11-3/4	15-1/2
120, 135, 150, 165	RCG-22	RCA-22	22-1/2	9-1/2	26-1/2	15-3/4	19-1/2
180, 195, 210, 225	RCG-28	RCA-28	28-1/2	9-1/2	32-1/2	21-3/4	25-1/2
245, 270	RCG-34	RCA-34	34-1/2	9-1/2	38-1/2	27-3/4	31-1/2
300, 330	RCG-40	RCA-40	40-1/2	9-1/2	44-1/2	33-3/4	37-1/2
365, 402	RCG-46	RCA-46	46-1/2	9-1/2	50-1/2	39-3/4	43-1/2
445, 490	RCGH-58	-	58-1/2	9-1/2	62-1/2	51-1/2	55-1/2
540	RCGH-64	-	64-1/2	9-1/2	68-1/2	56-3/4	61-1/2

All dimensions in inches. When motor operated damper is used, a wood nailer is required.

Sound Attenuator Curb*

Size	Curb Catalog Number		F Sq.	H**	V Sq.	W Sq.	Roof Opening
	Galvanized	Aluminum					
100	RCG-AT-18	RCA-AT-18	18-1/2	16	22-1/2	11-3/4	15-1/2
120, 135, 150, 165	RCG-AT-22	RCA-AT-22	22-1/2	16	26-1/2	15-3/4	19-1/2
180, 195, 210, 225	RCG-AT-28	RCA-AT-28	28-1/2	16	32-1/2	21-3/4	25-1/2
245, 270	RCG-AT-34	RCA-AT-34	34-1/2	16	38-1/2	27-3/4	31-1/2
300, 330	RCG-AT-40	RCA-AT-40	40-1/2	16	44-1/2	33-3/4	37-1/2
365, 402	RCG-AT-46	RCA-AT-46	46-1/2	16	50-1/2	39-3/4	43-1/2
445, 490	RCG-AT-H-58	-	58-1/2	16	62-1/2	51-1/2	55-1/2
540	RCG-AT-H-64	-	64-1/2	16	68-1/2	56-3/4	61-1/2

All dimensions in inches. When motor operated damper is used, a wood nailer is required. *Not available on UL 762 installations. **Add 8" when installed with a damper.

Average Sound Level Reduction

ODB1	ODB2	ODB3	ODB4	ODB5	ODB6	ODB7	ODB8
-5	-11	-9	-14	-18	-28	-35	-25

Typical Disconnect Switches



NEMA 1



NEMA 1
(Lockable)



NEMA 1
(Heavy Duty)



NEMA 3R



NEMA 4



NEMA 7
NEMA 9

NEMA 1 - Indoor general purpose.

NEMA 1 (Lockable) - Indoor general purpose with locking capability.

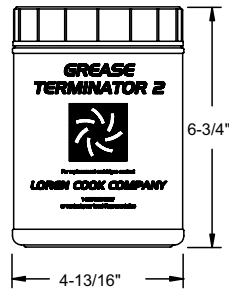
NEMA 1 (Heavy Duty, Lockable) - Indoor heavy duty visible blade.

NEMA 3R - Exterior mount, rain-tight.

NEMA 4 - Water-tight and dust-tight.

NEMA 7 and NEMA 9 - Lockable, indoor, explosion proof.

Grease Terminator



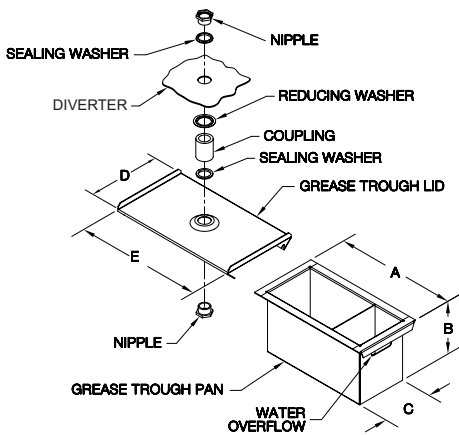
The Grease Terminator 2 is a grease-capture and containment system.

Outlet Diverters



Outlet diverters are required for UL762 Restaurant Exhaust.

Hanging Grease Trough

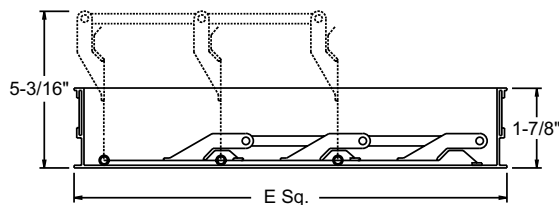


A	B	C	D	E
13-13/16	5-13/16	4-13/16	7-3/16	14-7/16

All dimensions in inches.

The hanging grease trough features an easily removable welded aluminum pan for the collection and separation of grease. The trough pan can be removed for cleaning. The grease trough is shipped loose for field mounting.

Gravity Backdraft Damper

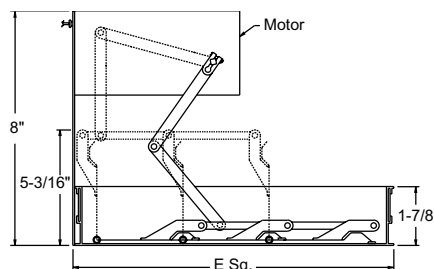


Gravity dampers feature an extruded aluminum frame, aluminum blades and aluminum hinge pins with nylon bushings. Not available on UL 762 installations.

Size	Catalog Number	E Sq.
100	BD-14	13-3/4
120, 135, 150, 165	BD-18	17-3/4
180, 195, 210, 225	BD-24	23-3/4
245, 270	BD-30	29-3/4
300, 330	BD-36	35-3/4
365, 402	BD-42	47-3/4
445-490	BD-54	53-3/4
540	BD-60	59-3/4

All dimensions in inches.

Motorized Backdraft Damper



Motorized dampers feature an extruded aluminum frame, aluminum blades and aluminum hinge pins with nylon bushings. Motors are shipped loose for field installation. Available voltages include 110V, 220V, and 440V. Not available on UL 762 installations.

Size	Catalog Number	E Sq.
100	BDM-14	13-3/4
120, 135, 150, 165	BDM-18	17-3/4
180, 195, 210, 225	BDM-24	23-3/4
245, 270	BDM-30	29-3/4
300, 330	BDM-36	35-3/4
365, 402	BDM-42	41-3/4
445, 490	BDM-54	53-3/4
540	BDM-60	59-3/4

All dimensions in inches.

Accessories

Fan Speed Control



10 AMP FSC

Cook's FSC is a variable speed controller which can offer excellent energy conservation and lower sound levels when 100 percent of a direct drive fan operating capacity is not required. The FSC employs solid state circuitry for long-life and dependability. The FSC is available only on 115V and 230V shaded pole or permanent split capacitor direct drive motors and is not available on 1140 RPM and 1725 RPM motors. The FSC is normally shipped loose for field installation. Optional pre-wiring is available.

Motors

Direct Drive

All direct drive motors are standard single phase 115-volt:

- Sizes 70 through 100 are either shaded pole or permanent split capacitor type motors.
- Sizes 120 through 180 are either permanent split capacitor (1075, 1300, or 1550 rpm motors) or split phase (1140 or 1725 rpm motors).
- FSC can only be used on either shaded pole or permanent split capacitor type motors.

Optional motors:

- Two speed, single-phase open motors are supplied as either 1725/1140 RPM or as 1140/860 RPM.
- Explosion proof motors are available for some units, contact factory for details.
- These optional motors cannot use an FSC.

Belt Drive

Single-phase motors:

- Open drip motors from 1/6 to 1-1/2 HP.
- Two-speed, motors in 1725/1140 RPM, from 1/6 to 1 HP.
- TEFC and Class 1, Group D, explosion proof motors from 1/4 to 1 HP.

Three-phase motors:

- Three-phase ODP motors from 1/4 to 10 HP.
- Two-speed, two winding motors in 1725/1140 RPM, from 1/3 to 5 HP.
- TEFC and Class 1, Group D, explosion proof motors from 1/4 to 10 HP.
- Variable Frequency Drive (VFD) compatible motors are available, contact factory for details.

All single-phase and three-phase, single speed, open drip motors listed in performance tables are shipped factory installed.

Optional Coatings

Lorenized® is an electrostatically applied, baked polyester powder coating. Each component shall be subject to a five stage environmentally friendly wash system, followed by a minimum 2 mil thick baked powder finish. Coating must exceed 1,000 hour salt spray under ASTM B117 test method.

Cook Epoxy Powder is an electrostatically applied, baked epoxy powder coating. Final coating thickness is 2.5 - 3.5 mils. For outdoor applications an optional UV resistant topcoat is available to prevent cosmetic chalking of the coating.

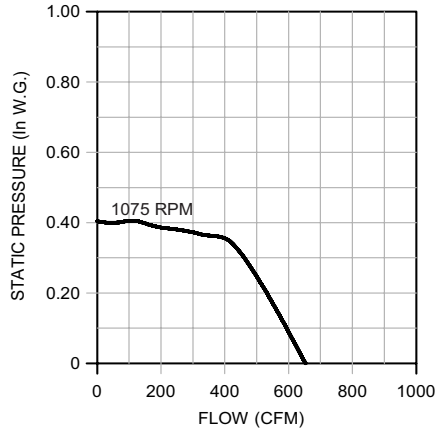
Cook Phenolic Epoxy Powder is an electrostatically applied, baked phenolic epoxy powder coating. Final coating thickness is 2 - 4 mils. For outdoor applications an optional UV resistant topcoat is required to prevent deterioration of the coating.

Cook Easy Clean Powder is an electrostatically applied, baked modified epoxy silicone powder producing a high temperature "non-stick" coating. Final coating thickness is 1.3 - 1.7 mils.

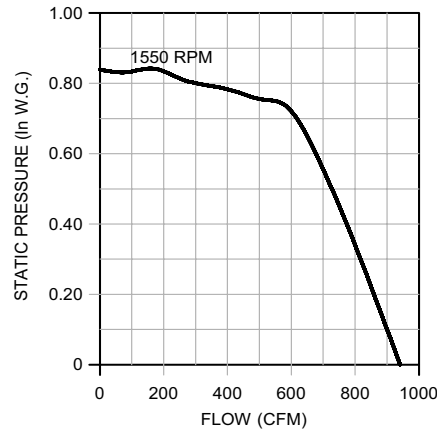
Air Dry Phenolic (Heresite VR-504) is a conventional spray applied phenolic resin coating. Final coating thickness is 4 - 6 mils. For outdoor applications an optional UV resistant topcoat (Heresite UC-5500) is required to prevent deterioration of the coating.

Refer to the corrosion resistance guide in the Compute-A-Fan software for a listing of the coatings above and their resistance to a variety of chemicals. Additional special coatings are available.

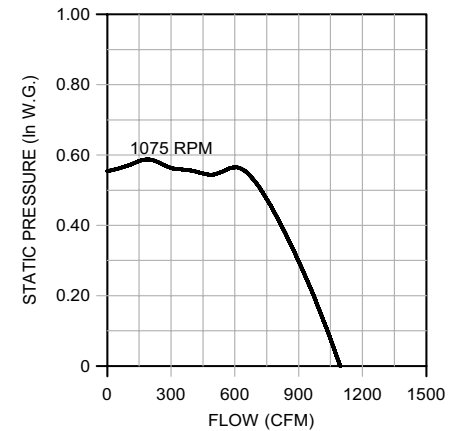
100LP10D



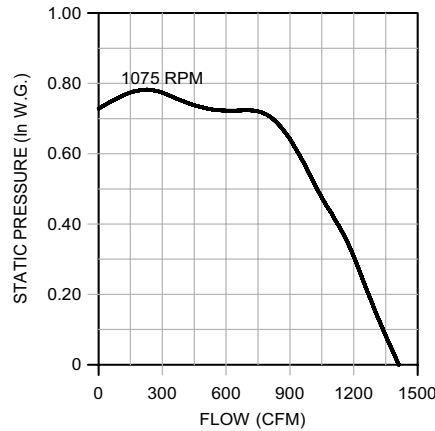
100LP15D



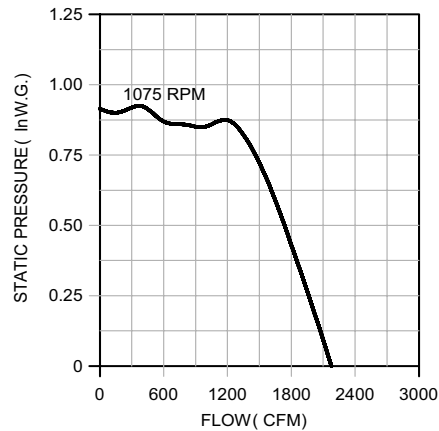
120LP10D



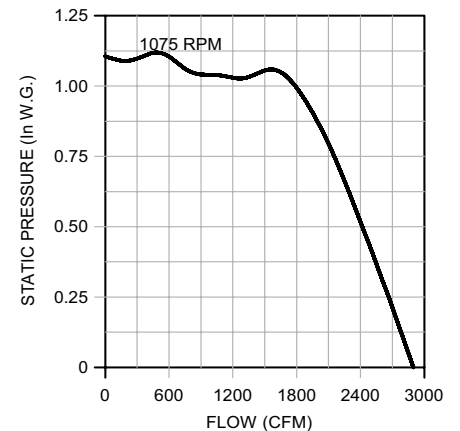
135LP10D



150LP10D



165LP10D

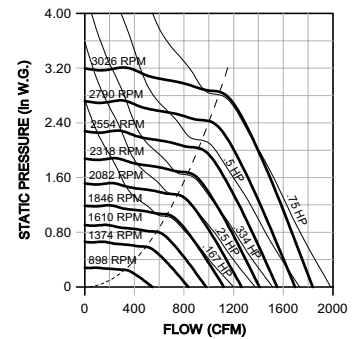
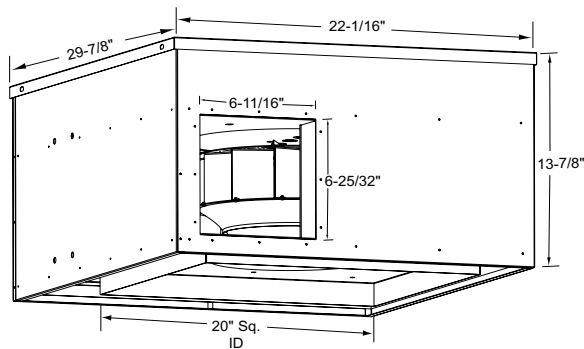


Catalog Number	Motor HP	Fan RPM	Tip Speed	Max. Input	0.000" SP		0.125" SP		0.250" SP		0.375" SP		0.500" SP		0.625" SP		0.750" SP		0.875" SP		1.000" SP	
					Sone	BHP	Sone	BHP	Sone	BHP	Sone	BHP	Sone	BHP	Sone	BHP	Sone	BHP	Sone	BHP	Sone	BHP
100LP10D	1/25	1075	2814	.03	653		578		498													
					6.7	.03	6.7	.03	6.7	.03												
100LP15D	1/8	1550	4058	.10	941		889		838		784		728		665							
					12.1	.08	12.2	.09	12.5	.09	12.8	.10	13.0	.10	13.1	.10						
120LP10D	1/6	1075	3377	.09	1097		1019		935		839		723									
					9.9	.07	9.9	.07	10.0	.08	10.1	.08	10.2	.09								
135LP10D	1/6	1075	3799	.16	1411		1320		1238		1148		1028		917							
					12.5	.13	12.5	.13	12.6	.14	12.7	.15	12.8	.16	12.9	.16						
150LP10D	1/3	1075	4222	.26	2178		2073		1964		1851		1736		1612		1462					
					11.5	.20	11.2	.22	11.0	.23	10.8	.24	10.8	.25	11.1	.26	11.3	.26				
165LP10D	1/3	1075	4644	.42	2899		2783		2665		2543		2418		2290		2153		1994		1787	
					14.0	.33	13.8	.35	13.5	.36	13.3	.38	13.2	.39	13.4	.40	13.7	.42	13.9	.42	14.1	.42

Performance shown is for Installation Type A: free inlet, free outlet. Power rating (BHP) does not include drive losses. Performance ratings do not include the effects of appurtenances in the airstream. Speed (RPM) for all models is constant and based on actual speed of test. The sound ratings shown are loudness values in fan sones at 5 ft. (1.5m) in a hemispherical free field calculated per AMCA Standard 301. Values shown are for Installation Type A: free inlet fan sone levels.

100 LPB Data

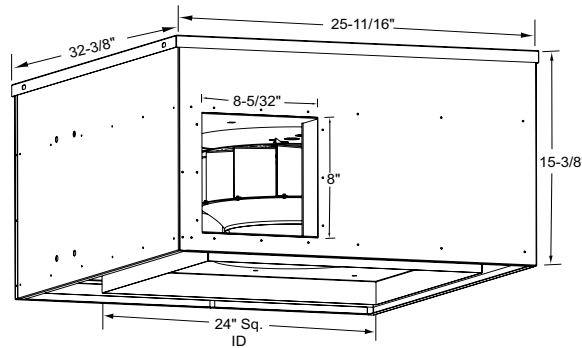
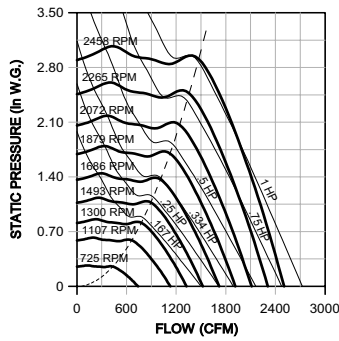
Wheel Diameter - 10"
Tip Speed (FPM) - 2.6 x RPM
Maximum RPM - 3026
Maximum BHP - .027 x (RPM/1000)³
Maximum Motor Frame - 56
Approx. Ship Wt. (Less Motor) - 110 lbs.
Roof Curb - RCG, RCA 18
Roof Opening - 15-1/2" Sq.



100 LPB

Catalog Number	Mtr. HP	Fan RPM	Tip Speed	0.000" SP		0.250" SP		0.500" SP		0.750" SP		1.000" SP		1.250" SP		1.500" SP		1.750" SP		2.000" SP		2.250" SP		2.500" SP				
				Sone	BHP	Sone	BHP	Sone	BHP	Sone	BHP	Sone	BHP	Sone	BHP	Sone	BHP	Sone	BHP	Sone	BHP	Sone	BHP	Sone	BHP	Sone	BHP	
100LPB	1/6	898	2350	545	329																							
				4.4	0.02	4.3	0.02																					
		1126	2947	683	538																							
				7.5	0.03	7.6	0.04																					
		1354	3544	822	703	566																						
				10.5	0.05	11.0	0.06	11.5	0.07																			
	1582	4141	960	859	752	614																						
			12.4	0.09	12.7	0.10	13.2	0.11	13.3	0.11																		
	1811	4741	1099	1011	921	822	687																					
			14.2	0.13	14.5	0.14	14.9	0.15	15.1	0.16	15.2	0.16																
	1/4	1879	4919	1141	1056	969	876	766																				
				14.8	0.14	15.1	0.16	15.5	0.17	15.7	0.18	15.7	0.18															
		1947	5097	1182	1100	1017	928	829																				
				15.5	0.16	15.7	0.18	16.0	0.19	16.4	0.20	16.4	0.20															
	2015	5275	1223	1144	1064	980	887	751																				
			16.1	0.18	16.3	0.20	16.6	0.21	17.2	0.21	17.2	0.22	17.1	0.23														
	2082	5450	1264	1187	1110	1029	942	837																				
			16.8	0.19	17.0	0.21	17.3	0.23	17.9	0.24	17.9	0.24	17.9	0.25														
	1/3	2126	5565	1290	1216	1140	1061	977	881																			
				17.2	0.21	17.4	0.23	17.7	0.24	18.3	0.25	18.5	0.26	18.5	0.26													
		2170	5681	1317	1244	1170	1093	1012	921																			
				17.6	0.22	17.8	0.24	18.2	0.26	18.8	0.26	19.0	0.27	19.0	0.28													
		2214	5796	1344	1272	1199	1125	1046	959	835																		
				18.1	0.23	18.2	0.26	18.7	0.27	19.3	0.28	19.6	0.29	19.5	0.30	19.5	0.30											
2258	5911	1371	1300	1229	1156	1080	996	893																				
		18.5	0.25	18.7	0.27	19.1	0.29	19.7	0.30	20	0.30	20	0.31	20	0.32													
2303	6029	1398	1329	1259	1188	1114	1033	940																				
		19.0	0.26	19.2	0.29	19.6	0.30	20	0.31	21	0.32	21	0.33	21	0.34													
1/2	2371	6207	1439	1372	1304	1236	1164	1088	1003																			
			19.8	0.29	20	0.31	20	0.33	21	0.34	22	0.35	22	0.36	22	0.37												
	2439	6385	1480	1415	1350	1283	1214	1141	1062	965																		
			21	0.31	21	0.34	21	0.36	22	0.37	22	0.38	22	0.39	22	0.40	22	0.40	22	0.40								
	2507	6563	1522	1458	1394	1330	1263	1194	1119	1034																		
			21	0.34	22	0.36	22	0.39	23	0.40	23	0.41	23	0.42	23	0.43	23	0.43	23	0.43								
2575	6741	1563	1501	1439	1376	1312	1245	1174	1096	992																		
		22	0.37	23	0.39	23	0.42	24	0.43	24	0.44	24	0.45	24	0.46	24	0.47	24	0.47	24	0.47							
2643	6919	1604	1544	1484	1423	1360	1296	1228	1155	1069																		
		23	0.40	24	0.42	24	0.45	24	0.46	25	0.47	26	0.48	25	0.50	25	0.51	25	0.51									
3/4	2723	7128	1653	1594	1536	1477	1416	1355	1290	1221	1145	1040																
			25	0.44	25	0.46	25	0.49	26	0.50	26	0.52	27	0.52	27	0.54	27	0.55	26	0.56	26	0.55						
	2803	7338	1701	1645	1588	1530	1472	1413	1351	1285	1215	1134																
			26	0.48	26	0.50	26	0.53	27	0.55	27	0.56	28	0.57	28	0.58	28	0.59	28	0.60	28	0.61						
	2883	7547	1750	1695	1639	1584	1527	1470	1410	1348	1282	1210	1115															
			27	0.52	27	0.55	28	0.57	28	0.59	28	0.61	29	0.62	29	0.63	29	0.64	29	0.65	29	0.66	29	0.66				
	2963	7757	1799	1745	1691	1637	1582	1527	1469	1410	1347	1280	1204															
			28	0.56	29	0.59	29	0.62	29	0.64	30	0.66	30	0.67	31	0.68	31	0.69	31	0.70	31	0.71	31	0.71				
3042	7963	1846	1794	1742	1689	1636	1582	1527	1470	1410	1347	1278																
		30	0.61	30	0.64	30	0.67	31	0.69	31	0.71	32	0.72	32	0.73	33	0.74	32	0.76	32	0.77	32	0.77					

Performance shown is for Installation Type A: free inlet, free outlet. Power rating (BHP) does not include drive losses. Performance ratings do not include the effects of appurtenances in the airstream. The sound ratings shown are loudness values in fan sones at 5 ft. (1.5m) in a hemispherical free field calculated per AMCA Standard 301. Values shown are for Installation Type A: free inlet fan sone levels.



Wheel Diameter - 12"
Tip Speed (FPM) - 3.1 x RPM
Maximum RPM - 2458
Maximum BHP - .069 x (RPM/1000)³
Maximum Motor Frame - 182T
Approx. Ship Wt. (Less Motor) - 130 lbs.
Roof Curb - RCG, RCA 22
Roof Opening - 19-1/2" Sq.

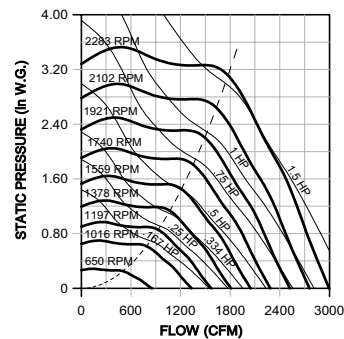
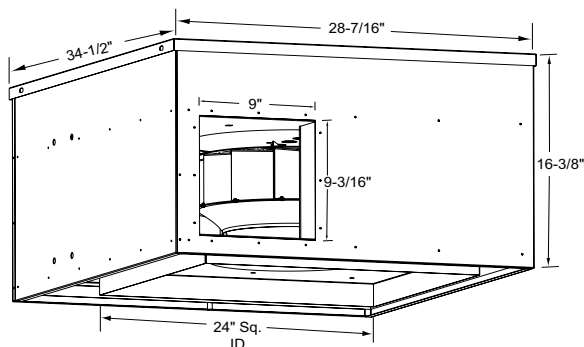
120 LPB

Catalog Number	Mtr. HP	Fan RPM	Tip Speed	0.000" SP		0.250" SP		0.500" SP		0.750" SP		1.000" SP		1.250" SP		1.500" SP		1.750" SP		2.000" SP		2.250" SP		2.500" SP			
				Sone	BHP	Sone	BHP	Sone	BHP	Sone	BHP	Sone	BHP	Sone	BHP	Sone	BHP	Sone	BHP	Sone	BHP	Sone	BHP	Sone	BHP	Sone	BHP
120LPB	1/6	725	2277	740		443																					
				4.5	0.02	4.5	0.03																				
		926	2909	945		749																					
				7.2	0.04	7.1	0.05																				
	1127	3540	1150		997		806																				
			11.0	0.08	11.2	0.09	11.5	0.10																			
	1328	4172	1355		1228		1084		905																		
			13.8	0.12	14.0	0.14	14.4	0.16	14.6	0.16																	
	1/4	1378	4329	1406		1284		1147		984																	
				14.1	0.14	14.3	0.16	14.7	0.17	14.8	0.18																
		1428	4486	1457		1340		1210		1058																	
				14.5	0.15	14.7	0.17	15.0	0.19	15.1	0.20																
		1478	4643	1508		1395		1271		1129		947															
	15.0			0.17	15.1	0.19	15.4	0.21	15.5	0.22	15.6	0.22															
	1526	4794	1557		1448		1329		1195		1033																
			15.5	0.19	15.6	0.21	15.8	0.23	15.9	0.24	16.0	0.25															
	1/3	1566	4919	1597		1491		1377		1248		1098															
				15.9	0.20	16.0	0.23	16.2	0.24	16.3	0.26	16.4	0.27														
		1606	5045	1638		1535		1424		1301		1159															
				16.3	0.22	16.4	0.24	16.5	0.26	16.8	0.28	16.8	0.29														
	1646	5171	1679		1578		1471		1352		1218		1046														
			16.7	0.23	16.8	0.26	17.0	0.28	17.4	0.30	17.3	0.31	17.2	0.31													
	1688	5303	1722		1624		1520		1406		1278		1124														
			17.2	0.25	17.2	0.28	17.5	0.30	18.0	0.32	17.9	0.33	17.9	0.34													
	1/2	1750	5497	1785		1691		1591		1483		1363		1226													
				17.8	0.28	17.9	0.31	18.3	0.33	18.8	0.35	18.8	0.36	18.8	0.37												
		1812	5692	1848		1757		1662		1559		1446		1320		1163											
				18.5	0.31	18.7	0.34	19.1	0.36	19.6	0.38	19.8	0.40	19.7	0.41	19.5	0.41										
	1874	5887	1911		1824		1732		1634		1527		1410		1273												
			19.3	0.34	19.5	0.37	19.9	0.40	20	0.42	21	0.44	21	0.45	21	0.46											
1938	6088	1977		1892		1804		1710		1609		1499		1375		1217											
		20	0.38	20	0.41	21	0.44	21	0.46	22	0.48	22	0.49	22	0.51	21	0.50										
3/4	2011	6317	2051		1969		1885		1796		1700		1597		1484		1353										
			21	0.43	22	0.46	22	0.49	22	0.51	23	0.53	23	0.55	23	0.56	23	0.57									
	2084	6547	2126		2047		1966		1881		1790		1693		1588		1471		1326								
			23	0.47	23	0.51	23	0.54	24	0.56	24	0.58	25	0.60	24	0.62	24	0.63	24	0.63							
2157	6776	2200		2124		2046		1965		1878		1786		1688		1581		1459									
		24	0.53	24	0.56	25	0.59	25	0.62	26	0.64	26	0.66	26	0.68	26	0.69	26	0.70								
2230	7005	2275		2201		2126		2048		1965		1878		1785		1686		1576		1445							
		26	0.58	26	0.62	26	0.65	27	0.68	27	0.70	28	0.72	28	0.74	28	0.76	28	0.77	28	0.77						
1	2287	7184	2333		2261		2188		2112		2033		1949		1860		1765		1662		1546						
			27	0.63	27	0.66	28	0.70	28	0.73	29	0.75	29	0.78	30	0.80	30	0.81	30	0.83	30	0.84					
	2344	7363	2391		2321		2250		2176		2099		2018		1933		1842		1745		1639		1511				
			28	0.67	28	0.71	29	0.75	29	0.78	30	0.81	31	0.83	31	0.85	31	0.87	31	0.89	31	0.90	31	0.90			
	2401	7542	2449		2381		2311		2240		2166		2087		2005		1918		1826		1726		1613				
29			0.73	29	0.76	30	0.80	30	0.83	31	0.86	32	0.89	32	0.91	32	0.93	32	0.95	32	0.96	32	0.97				
2459	7725	2508		2441		2374		2304		2232		2157		2078		1994		1906		1812		1708					
		30	0.78	30	0.82	31	0.86	32	0.89	32	0.92	33	0.95	34	0.97	34	0.99	34	1.01	34	1.03	33	1.04				

Performance shown is for Installation Type A: free inlet, free outlet. Power rating (BHP) does not include drive losses. Performance ratings do not include the effects of appurtenances in the airstream. The sound ratings shown are loudness values in fan sones at 5 ft. (1.5m) in a hemispherical free field calculated per AMCA Standard 301. Values shown are for Installation Type A: free inlet fan sone levels.

135 LPB Data

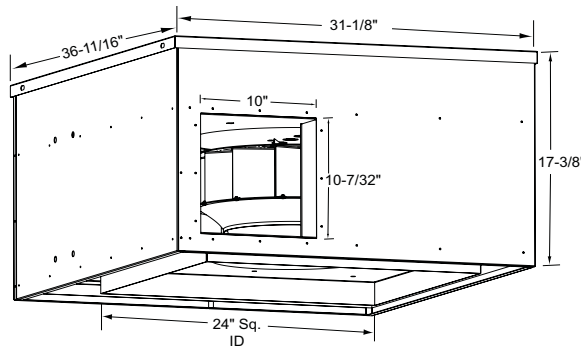
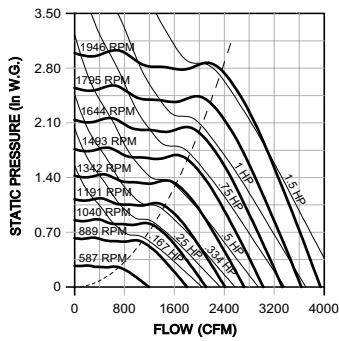
Wheel Diameter - 13.5"
Tip Speed (FPM) - 3.5 x RPM
Maximum RPM - 2283
Maximum BHP - .13 x (RPM/1000)3
Maximum Motor Frame - 182T
Approx. Ship Wt. (Less Motor) - 146 lbs.
Roof Curb - RCG, RCA 22
Roof Opening - 19-1/2" Sq.



135 LPB

Catalog Number	Mtr. HP	Fan RPM	Tip Speed	0.000" SP		0.250" SP		0.500" SP		0.750" SP		1.000" SP		1.250" SP		1.500" SP		1.750" SP		2.000" SP		2.250" SP		2.500" SP			
				Sone	BHP	Sone	BHP	Sone	BHP	Sone	BHP	Sone	BHP	Sone	BHP	Sone	BHP	Sone	BHP	Sone	BHP	Sone	BHP	Sone	BHP	Sone	BHP
135LPB	1/6	650	2297	853	511																						
				5.0	0.03	5.1	0.04																				
		791	2795	1039	782																						
				7.0	0.05	7.0	0.06																				
	1/4	932	3293	1224	1025	756																					
				9.3	0.08	9.4	0.10	9.7	0.11																		
		1072	3788	1408	1234	1023																					
			12.5	0.13	12.5	0.14	12.7	0.15																			
	1/3	1126	3979	1478	1311	1120	886																				
				13.4	0.14	13.5	0.16	13.8	0.18	14.0	0.19																
		1180	4170	1549	1388	1218	1010																				
			14.3	0.17	14.5	0.18	14.7	0.20	14.9	0.21																	
	1/2	1276	4509	1675	1525	1383	1187																				
				15.6	0.21	15.6	0.23	15.9	0.25	16.0	0.26																
		1319	4661	1732	1585	1451	1263	1071																			
			15.9	0.23	16.0	0.25	16.1	0.27	16.2	0.29	16.3	0.30															
	3/4	1363	4817	1790	1647	1518	1342	1167																			
				16.3	0.26	16.3	0.27	16.4	0.30	16.5	0.32	16.6	0.33														
		1413	4993	1855	1717	1593	1433	1262																			
				16.8	0.29	16.8	0.30	16.9	0.33	17.0	0.35	17.0	0.36														
	1 1/2	1463	5170	1921	1787	1667	1524	1352	1169																		
				17.3	0.32	17.3	0.33	17.5	0.36	17.8	0.38	17.8	0.39	17.6	0.41												
		1513	5347	1987	1857	1740	1611	1441	1282																		
				17.9	0.35	17.9	0.37	18.2	0.39	18.6	0.42	18.6	0.43	18.6	0.45												
	1 1/2	1565	5531	2055	1929	1815	1697	1533	1384																		
				18.5	0.39	18.6	0.41	18.9	0.43	19.4	0.46	19.4	0.48	19.4	0.49												
		1644	5810	2159	2038	1928	1821	1678	1527	1377																	
				19.6	0.45	19.8	0.47	20	0.50	21	0.53	21	0.55	21	0.56	21	0.58										
1 1/2	1723	6089	2262	2147	2041	1940	1819	1667	1532	1362																	
			21	0.52	21	0.54	21	0.56	22	0.60	22	0.63	22	0.64	22	0.65	22	0.68									
	1801	6365	2365	2254	2151	2055	1950	1808	1672	1539																	
			22	0.59	23	0.61	23	0.64	23	0.67	24	0.71	24	0.72	24	0.74	24	0.75									
1 1/2	1847	6527	2425	2317	2216	2122	2023	1892	1754	1629	1470																
			23	0.64	24	0.66	24	0.69	24	0.72	25	0.75	25	0.78	25	0.79	25	0.80	24	0.83							
	1893	6690	2486	2380	2281	2189	2095	1975	1836	1713	1578																
			24	0.69	25	0.71	25	0.73	25	0.77	26	0.81	26	0.83	26	0.85	26	0.86	26	0.88							
1 1/2	1939	6853	2546	2443	2345	2255	2165	2055	1919	1795	1673																
			25	0.74	26	0.76	26	0.79	26	0.82	27	0.86	27	0.89	27	0.91	27	0.92	27	0.94							
	1986	7019	2608	2507	2411	2322	2235	2135	2005	1879	1762	1625															
			26	0.80	27	0.82	27	0.84	27	0.88	28	0.91	29	0.95	29	0.97	29	0.98	29	1.00	28	1.03					
1 1/2	2084	7365	2736	2640	2548	2462	2380	2292	2182	2054	1939	1827	1690														
			29	0.92	29	0.94	30	0.97	30	1	31	1.04	31	1.08	32	1.11	32	1.13	32	1.14	32	1.16	31	1.19			
	2182	7711	2865	2773	2684	2601	2522	2442	2349	2233	2113	2006	1898														
			31	1.05	32	1.08	32	1.1	33	1.14	33	1.18	34	1.22	35	1.26	35	1.28	35	1.3	35	1.31	35	1.33			
1 1/2	2281	8061	2995	2907	2822	2741	2664	2589	2507	2409	2292	2181	2081														
			34	1.20	34	1.23	35	1.26	35	1.29	36	1.33	37	1.37	37	1.42	38	1.45	38	1.47	38	1.49	38	1.50			

Performance shown is for Installation Type A: free inlet, free outlet. Power rating (BHP) does not include drive losses. Performance ratings do not include the effects of appurtenances in the airstream. The sound ratings shown are loudness values in fan sones at 5 ft. (1.5m) in a hemispherical free field calculated per AMCA Standard 301. Values shown are for Installation Type A: free inlet fan sone levels.



Wheel Diameter - 15"
Tip Speed (FPM) - 3.9 x RPM
Maximum RPM - 1946
Maximum BHP - .21 x (RPM/1000)³
Maximum Motor Frame - 182T
Approx. Ship Wt. (Less Motor) - 162 lbs.
Roof Curb - RCG, RCA 22
Roof Opening - 19-1/2" Sq.

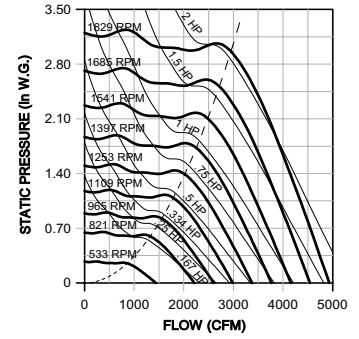
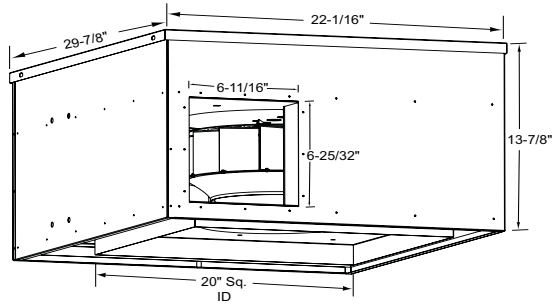
150 LPB

Catalog Number	Mtr. HP	Fan RPM	Tip Speed	0.000" SP		0.250" SP		0.500" SP		0.750" SP		1.000" SP		1.250" SP		1.500" SP		1.750" SP		2.000" SP		2.250" SP		2.500" SP				
				Sone	BHP	Sone	BHP	Sone	BHP	Sone	BHP	Sone	BHP	Sone	BHP	Sone	BHP	Sone	BHP	Sone	BHP	Sone	BHP	Sone	BHP	Sone	BHP	
150LPB	1/6	587	2305	1189	720																							
		751	2949	1522	1204																							
		915	3593	1854	1599	1310																						
	1/4	961	3773	1947	1706	1441																						
		1007	3954	2040	1811	1563																						
		1052	4131	2131	1913	1678	1384																					
	1/3	1089	4276	2206	1996	1770	1507																					
		1126	4421	2281	2078	1861	1620																					
		1163	4567	2356	2160	1951	1726																					
			4567	2356	2160	1951	1726																					
	1/2	1206	4735	2443	2254	2054	1842	1566																				
		1249	4904	2530	2348	2156	1955	1714																				
			4904	2530	2348	2156	1955	1714																				
		1292	5073	2618	2442	2257	2064	1847																				
	3/4	1402	5505	2840	2679	2511	2335	2153	1934																			
		1469	5768	2976	2822	2663	2497	2326	2136	1889																		
			5768	2976	2822	2663	2497	2326	2136	1889																		
	1	1576	6188	3193	3049	2902	2749	2592	2429	2243	1999																	
		1616	6346	3274	3134	2991	2842	2690	2533	2360	2146																	
			6346	3274	3134	2991	2842	2690	2533	2360	2146																	
		1656	6503	3355	3219	3079	2935	2786	2635	2472	2279																	
			6503	3355	3219	3079	2935	2786	2635	2472	2279																	
	1-1/2	1758	6903	3562	3433	3303	3168	3029	2888	2743	2585	2396																
		1821	7151	3689	3565	3440	3310	3177	3042	2904	2758	2593	2393															
7151			3689	3565	3440	3310	3177	3042	2904	2758	2593	2393																
1884		7398	3817	3697	3576	3452	3324	3193	3061	2924	2776	2604	2391															
		7398	3817	3697	3576	3452	3324	3193	3061	2924	2776	2604	2391															
1946	7641	3943	3827	3709	3590	3467	3341	3213	3083	2946	2794	2614																

Performance shown is for Installation Type A: free inlet, free outlet. Power rating (BHP) does not include drive losses. Performance ratings do not include the effects of appurtenances in the airstream. The sound ratings shown are loudness values in fan sones at 5 ft. (1.5m) in a hemispherical free field calculated per AMCA Standard 301. Values shown are for Installation Type A: free inlet fan sone levels.

165 LPB Data

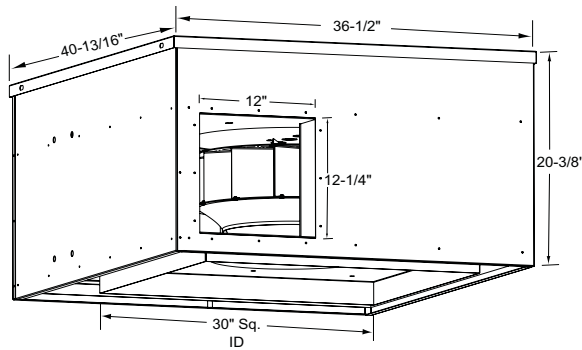
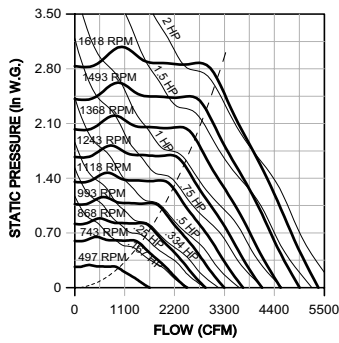
Wheel Diameter - 16.5"
Tip Speed (FPM) - 4.3 x RPM
Maximum RPM - 1829
Maximum BHP - .34 x (RPM/1000)³
Maximum Motor Frame - 182T
Approx. Ship Wt. (Less Motor) - 183 lbs.
Roof Curb - RCG, RCA 22
Roof Opening - 19-1/2" Sq.



165 LPB

Catalog Number	Mtr. HP	Fan RPM	Tip Speed	0.000" SP		0.250" SP		0.500" SP		0.750" SP		1.000" SP		1.250" SP		1.500" SP		1.750" SP		2.000" SP		2.250" SP		2.500" SP				
				Sone	BHP	Sone	BHP	Sone	BHP	Sone	BHP	Sone	BHP	Sone	BHP	Sone	BHP	Sone	BHP	Sone	BHP	Sone	BHP	Sone	BHP	Sone	BHP	
165LPB	1/6	533	2302	1438		867																						
				3.9	0.04	3.2	0.05																					
		657	2838	1772		1371																						
	5.9			0.07	5.2	0.09																						
	780	3369	2104		1773		1364																					
			7.8	0.12	7.0	0.15	7.3	0.16																				
	1/4	819	3537	2209		1895		1534																				
				8.5	0.14	7.7	0.17	7.9	0.19																			
		858	3706	2314		2016		1686																				
	9.2			0.17	8.4	0.19	8.6	0.21																				
	1/3	897	3874	2419		2135		1827																				
				9.9	0.19	9.1	0.22	9.3	0.24																			
		929	4013	2506		2232		1938		1536																		
	10.5			0.21	9.8	0.24	9.9	0.26	10.5	0.27																		
	2592			2328		2046		1696																				
	961	4151	11.2		0.23		10.6		0.27		10.6		0.29		11.1		0.30											
			2675		2421		2149		1833																			
	992	4285	11.9		0.26		11.3		0.29		11.3		0.31		11.8		0.33											
			2808		2566		2309		2027																			
			13.2	0.30	12.6	0.33	12.4	0.36	12.9	0.38																		
	1/2	1041	4496	2940		2709		2466		2207		1865																
				14.4	0.34	13.9	0.38	13.6	0.41	14.0	0.43	14.5	0.44															
		1090	4708	3072		2852		2620		2378		2089																
	15.8			0.39	15.3	0.43	14.8	0.46	15.2	0.49	15.6	0.51																
	3/4	1196	5166	3226		3016		2797		2569		2318		1964														
				17.4	0.45	17	0.49	16.6	0.53	16.6	0.55	17.0	0.58	17.4	0.58													
		1253	5412	3379		3180		2972		2756		2528		2246														
	19.0			0.52	18.6	0.56	18.2	0.6	18.0	0.63	18.5	0.66	19.0	0.67														
1310	5658	3533		3342		3145		2940		2728		2486		2150														
		20	0.59	19.8	0.64	19.4	0.68	19.3	0.71	19.7	0.74	20	0.77	21	0.77													
1	1355	5853	3654		3470		3281		3083		2880		2659		2381													
			21	0.65	21	0.70	20	0.75	20	0.78	21	0.81	21	0.84	22	0.85												
	1400	6047	3776		3598		3415		3225		3030		2824		2579													
22			0.72	22	0.77	21	0.82	21	0.85	22	0.89	22	0.92	23	0.94													
1445	6241	3897		3725		3548		3365		3177		2982		2762		2482												
		23	0.79	23	0.85	22	0.89	22	0.93	23	0.96	23	1.00	24	1.03	24	1.03											
1-1/2	1517	6552	4091		3927		3760		3587		3409		3227		3033		2807		2509									
			25	0.92	24	0.97	24	1.02	24	1.07	25	1.10	25	1.14	26	1.17	26	1.19	26	1.19								
	1589	6864	4286		4129		3970		3806		3637		3465		3288		3093		2859									
26			1.05	26	1.11	26	1.17	26	1.21	26	1.25	27	1.29	27	1.33	28	1.36	28	1.38									
1660	7170	4477		4327		4175		4019		3859		3696		3529		3353		3156		2918								
		28	1.20	28	1.26	28	1.32	28	1.37	28	1.41	28	1.45	29	1.49	29	1.53	29	1.56	30	1.57							
2	1716	7412	4628		4483		4336		4186		4032		3875		3715		3550		3371		3165		2911					
			30	1.33	29	1.39	29	1.45	29	1.51	29	1.55	30	1.59	30	1.63	30	1.67	30	1.71	31	1.73	31	1.73				
	1772	7654	4779		4639		4497		4352		4204		4052		3898		3741		3576		3392		3177					
			31	1.46	31	1.53	31	1.59	31	1.65	31	1.70	31	1.74	31	1.78	31	1.82	32	1.86	32	1.89	33	1.91				
1829	7900	4933		4797		4659		4520		4377		4231		4082		3932		3776		3609		3420						
		33	1.61	33	1.68	33	1.74	33	1.80	33	1.85	33	1.90	33	1.94	33	1.98	34	2.02	34	2.06	34	2.09					

Performance shown is for Installation Type A: free inlet, free outlet. Power rating (BHP) does not include drive losses. Performance ratings do not include the effects of appurtenances in the airstream. The sound ratings shown are loudness values in fan sones at 5 ft. (1.5m) in a hemispherical free field calculated per AMCA Standard 301. Values shown are for Installation Type A: free inlet fan sone levels.



Wheel Diameter - 18"
Tip Speed (FPM) - 4.7 x RPM
Maximum RPM (Standard Wheel) - 1610
Maximum RPM (Reinforced Wheel) - 1618
Maximum BHP - .50 x (RPM/1000)³
Maximum Motor Frame - 182T
Approx. Ship Wt. (Less Motor) - 224 lbs.
Roof Curb - RCG, RCA 28
Roof Opening - 25-1/2" Sq.

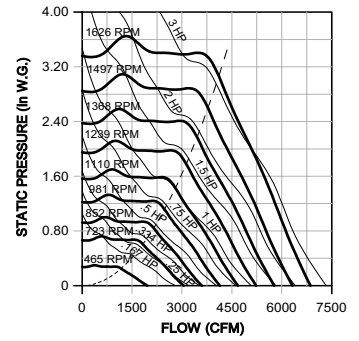
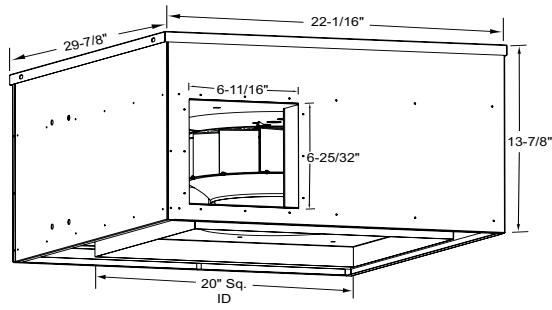
180 LPB

Catalog Number	Mtr. HP	Fan RPM	Tip Speed	0.000" SP		0.250" SP		0.500" SP		0.750" SP		1.000" SP		1.250" SP		1.500" SP		1.750" SP		2.000" SP		2.250" SP		2.500" SP			
				Sone	BHP	Sone	BHP	Sone	BHP	Sone	BHP	Sone	BHP	Sone	BHP	Sone	BHP	Sone	BHP	Sone	BHP	Sone	BHP	Sone	BHP	Sone	BHP
180LPB	1/6	497	2342	1650		971																					
		593	2794	1968		1402																					
		690	3251	2290		1818																					
	1/4	724	3411	2403		1953		1471																			
		758	3571	2516	8.2	0.15	7.4	0.17	7.7	0.19																	
		793	3736	2632	8.9	0.17	8.0	0.19	8.2	0.21																	
	1/3	821	3868	2725		2320		1903																			
		849	4000	2818	10.1	0.21	9.3	0.24	9.4	0.27																	
		877	4132	2911	10.7	0.23	10.0	0.26	10.0	0.29																	
	1/2	920	4335	3053		2682		2340		1947																	
		963	4538	3196	11.3	0.26	10.6	0.29	10.6	0.32	11.2	0.33															
		1007	4745	3342	12.3	0.30	11.7	0.34	11.7	0.36	12.2	0.38															
	3/4	1058	4985	3512	13.5	0.34	12.9	0.38	12.7	0.4	13.3	0.43															
		1109	5226	3681	14.7	0.39	14.1	0.44	14.0	0.45	14.4	0.49	14.8	0.51													
		1159	5461	3847	16.2	0.45	15.7	0.51	15.4	0.52	15.7	0.56	16.1	0.58													
	1	1199	5650	3979	17.8	0.52	17.3	0.58	16.9	0.59	17.1	0.63	17.4	0.66													
		1239	5838	4112	19.4	0.60	18.9	0.66	18.5	0.67	18.4	0.70	18.9	0.75	19.3	0.77											
		1278	6022	4242	21	0.66	20	0.73	19.8	0.74	19.6	0.77	20	0.82	20	0.84											
	1-1/2	1341	6319	4451	22	0.73	22	0.80	21	0.82	21	0.84	21	0.89	22	0.93	22	0.94									
		1404	6616	4660	23	0.80	23	0.87	22	0.9	22	0.91	22	0.96	23	1.01	23	1.03									
		1468	6917	4872	25	0.92	24	1.00	24	1.04	24	1.04	24	1.09	24	1.15	25	1.18	25	1.19							
	2	1518	7153	5038	26	1.06	26	1.15	26	1.19	25	1.20	26	1.22	26	1.29	27	1.34	27	1.36							
		1568	7389	5204	28	1.21	28	1.30	27	1.36	27	1.37	28	1.38	28	1.44	29	1.51	29	1.54	30	1.56					
		1618	7624	5370	29	1.34	29	1.44	29	1.49	28	1.51	29	1.52	30	1.57	31	1.64	31	1.69	31	1.71	32	1.73			
			5472	31	1.48	30	1.58	30	1.64	30	1.66	31	1.67	31	1.70	32	1.78	32	1.85	33	1.88	33	1.90				

Performance shown is for Installation Type A: free inlet, free outlet. Power rating (BHP) does not include drive losses. Performance ratings do not include the effects of appurtenances in the airstream. The sound ratings shown are loudness values in fan sones at 5 ft. (1.5m) in a hemispherical free field calculated per AMCA Standard 301. Values shown are for Installation Type A: free inlet fan sone levels.

195 LPB Data

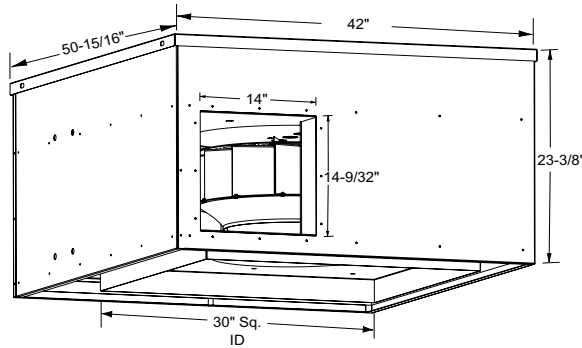
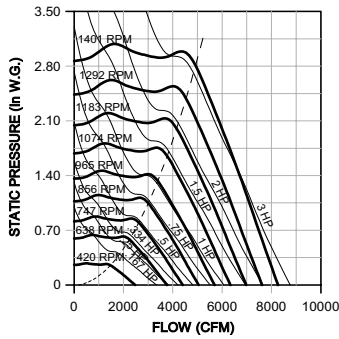
Wheel Diameter - 19.5"
Tip Speed (FPM) - 5.1 x RPM
Maximum RPM (Standard Wheel) - 1429
Maximum RPM (Reinforced Wheel) - 1626
Maximum BHP - .74 x (RPM/1000)³
Maximum Motor Frame - 184T
Approx. Ship Wt. (Less Motor) - 276 lbs.
Roof Curb - RCG, RCA 28
Roof Opening - 25-1/2" Sq.



195 LPB

Catalog Number	Mtr. HP	Fan RPM	Tip Speed	0.000" SP		0.250" SP		0.500" SP		0.750" SP		1.000" SP		1.250" SP		1.500" SP		1.750" SP		2.000" SP		2.250" SP		2.500" SP		
				Sone	BHP	Sone	BHP	Sone	BHP	Sone	BHP	Sone	BHP	Sone	BHP	Sone	BHP	Sone	BHP	Sone	BHP	Sone	BHP	Sone	BHP	Sone
195LPB	1/6	465	2373	1962	1177																					
			604	3083	4.3	0.06	3.5	0.07																		
				2549	1960																					
				7.2	0.13	6.4	0.15																			
	1/4	634	3236	2675	2118																					
			664	3389	7.8	0.15	7.1	0.17																		
			695	3548	8.4	0.17	7.7	0.19	8.1	0.22																
				2933	2423	1874																				
				9.0	0.19	8.3	0.22	8.6	0.25																	
	1/3	731	3731	3085	2596	2077																				
			768	3920	9.8	0.22	9.0	0.25	9.2	0.28																
				3241	2770	2291																				
				10.6	0.26	9.8	0.29	9.8	0.32																	
	1/2	825	4211	3482	3035	2614	2150																			
			882	4502	12.0	0.32	11.3	0.36	11.2	0.39	11.7	0.41														
				3722	3297	2919	2468																			
				13.5	0.39	12.9	0.44	12.7	0.46	13.2	0.50															
	3/4	926	4727	3908	3498	3145	2722																			
			970	4951	14.6	0.45	14.2	0.51	14.1	0.52	14.5	0.57														
			1015	5181	4093	3699	3364	2975	2578																	
				16.0	0.52	15.5	0.58	15.5	0.59	15.7	0.65	16.1	0.67													
				4283	3903	3581	3226	2831																		
				17.5	0.60	17.0	0.66	16.9	0.68	17.0	0.72	17.4	0.76													
	1	1050	5360	4431	4061	3748	3416	3032	2690																	
			1085	5539	18.7	0.66	18.2	0.73	17.9	0.75	18.1	0.79	18.4	0.84	18.8	0.85										
					4579	4219	3912	3601	3234	2886																
				19.9	0.73	19.4	0.81	19.0	0.82	19.1	0.85	19.5	0.91	19.9	0.94											
				4726	4376	4076	3780	3435	3081																	
				21	0.80	21	0.88	20	0.90	20	0.93	21	0.99	21	1.02											
	1-1/2	1175	5998	4959	4623	4331	4056	3742	3396	3086																
		1230	6279	23	0.93	23	1.01	22	1.04	22	1.06	22	1.12	23	1.17	23	1.19									
				5191	4868	4584	4323	4038	3713	3392	3112															
			25	1.06	25	1.16	25	1.20	24	1.20	24	1.25	25	1.33	25	1.36	26	1.37								
			5427	5118	4840	4590	4328	4030	3713	3426																
			27	1.22	27	1.31	27	1.36	26	1.37	26	1.41	27	1.48	27	1.54	28	1.56								
2	1330	6789	5613	5313	5041	4797	4550	4273	3968	3672	3413															
				29	1.35	28	1.45	28	1.50	27	1.52	28	1.54	28	1.61	29	1.68	29	1.71	30	1.73					
				5798	5507	5241	5003	4768	4508	4220	3924	3659														
			30	1.48	30	1.59	29	1.65	29	1.67	29	1.68	30	1.75	30	1.83	31	1.88	31	1.90						
			5980	5697	5436	5202	4976	4733	4461	4172	3899	3656														
			31	1.63	31	1.74	30	1.81	30	1.83	31	1.84	31	1.89	32	1.98	32	2.05	33	2.07	33	2.09				
3	1487	7591	6275	6005	5752	5525	5310	5087	4842	4574	4299	4045	3816													
				33	1.88	33	2.00	33	2.08	32	2.11	33	2.12	34	2.15	34	2.23	35	2.32	35	2.38	36	2.40	36	2.42	
				6571	6312	6068	5845	5639	5432	5209	4964	4704	4444	4206												
				36	2.16	35	2.28	35	2.38	35	2.42	35	2.43	36	2.45	37	2.50	38	2.60	38	2.69	38	2.73	39	2.76	
			6862	6614	6378	6160	5960	5763	5558	5335	5094	4842	4596													
			38	2.46	38	2.59	38	2.69	37	2.75	37	2.77	38	2.77	39	2.81	40	2.90	40	3.00	40	3.08	41	3.12		

Performance shown is for Installation Type A: free inlet, free outlet. Power rating (BHP) does not include drive losses. Performance ratings do not include the effects of appurtenances in the airstream. The sound ratings shown are loudness values in fan sones at 5 ft. (1.5m) in a hemispherical free field calculated per AMCA Standard 301. Values shown are for Installation Type A: free inlet fan sone levels.



Wheel Diameter - 21"
Tip Speed (FPM) - 5.5 x RPM
Maximum RPM (Standard Wheel) - 1277
Maximum RPM (Reinforced Wheel) - 1401
Maximum BHP - 1.2 x (RPM/1000)³
Approx. Ship Wt. (Less Motor) - 302 lbs.
Roof Curb - RCG, RCA 28
Roof Opening - 25-1/2" Sq.

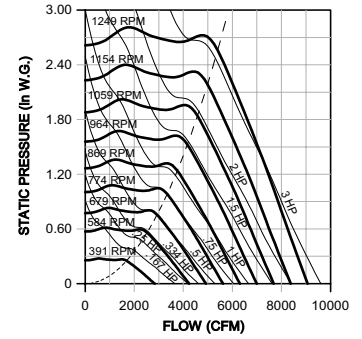
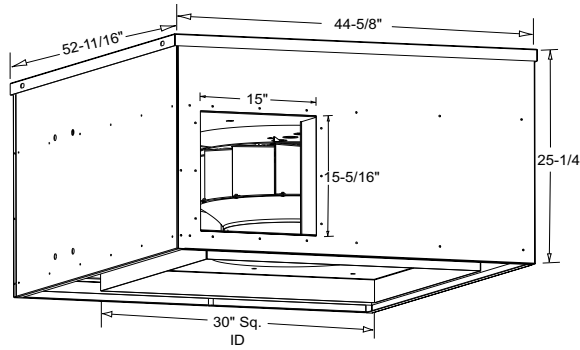
210 LPB

Catalog Number	Mtr. HP	Fan RPM	Tip Speed	0.000" SP		0.250" SP		0.500" SP		0.750" SP		1.000" SP		1.250" SP		1.500" SP		1.750" SP		2.000" SP		2.250" SP		2.500" SP			
				Sone	BHP	Sone	BHP	Sone	BHP	Sone	BHP	Sone	BHP	Sone	BHP	Sone	BHP	Sone	BHP	Sone	BHP	Sone	BHP	Sone	BHP	Sone	BHP
210LPB	1/6	420	2309	2478	1488																						
		521	2864	3074	2317																						
	1/4	547	3007	3227	2512																						
		573	3150	3381	2702																						
		599	3293	3534	2887	2153																					
	1/3	631	3469	3723	3110	2433																					
		662	3639	3906	3321	2690																					
	1/2	711	3908	4195	3649	3079																					
		760	4178	4484	3971	3452	2870																				
	3/4	798	4387	4708	4218	3732	3189																				
		836	4596	4932	4464	4005	3497																				
		875	4810	5163	4714	4278	3804	3292																			
	1	905	4975	5340	4905	4484	4034	3546																			
		935	5140	5517	5095	4688	4259	3794																			
		965	5305	5694	5285	4890	4481	4036	3566																		
	1-1/2	1013	5569	5977	5587	5210	4827	4412	3975																		
		1061	5833	6260	5887	5526	5165	4779	4368	3940																	
		1108	6091	6537	6180	5832	5490	5128	4742	4340	3905																
	2	1146	6300	6761	6416	6079	5748	5404	5037	4653	4255																
		1184	6509	6986	6651	6324	6004	5676	5326	4960	4581	4170															
		1221	6712	7204	6879	6561	6250	5936	5602	5251	4889	4513															
	3	1281	7042	7558	7249	6944	6647	6350	6040	5713	5374	5025	4661														
		1341	7372	7912	7616	7324	7039	6757	6467	6162	5844	5517	5181	4828													
		1401	7702	8266	7983	7703	7428	7158	6885	6600	6302	5994	5678	5355													

Performance shown is for Installation Type A: free inlet, free outlet. Power rating (BHP) does not include drive losses. Performance ratings do not include the effects of appurtenances in the airstream. The sound ratings shown are loudness values in fan sones at 5 ft. (1.5m) in a hemispherical free field calculated per AMCA Standard 301. Values shown are for Installation Type A: free inlet fan sone levels.

225 LPB Data

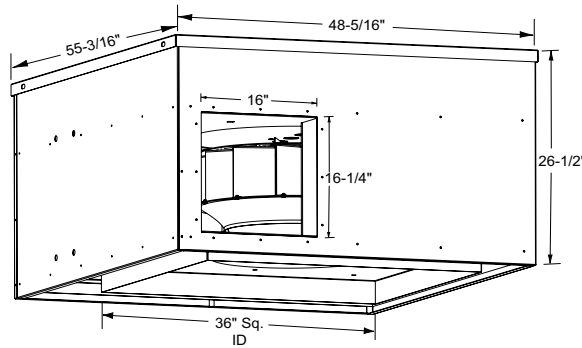
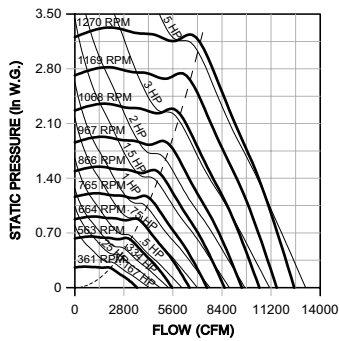
Wheel Diameter - 22.5"
Tip Speed (FPM) - 5.9 x RPM
Maximum RPM (Standard Wheel) - 1152
Maximum RPM (Reinforced Wheel) - 1249
Maximum BHP - 1.6 x (RPM/1000)³
Maximum Motor Frame - 184T
Approx. Ship Wt. (Less Motor) - 378 lbs.
Roof Curb - RCG, RCA 28
Roof Opening - 25-1/2" Sq.



225 LPB

Catalog Number	Mtr. HP	Fan RPM	Tip Speed	0.000" SP		0.250" SP		0.500" SP		0.750" SP		1.000" SP		1.250" SP		1.500" SP		1.750" SP		2.000" SP		2.250" SP		2.500" SP		
				Sone	BHP	Sone	BHP	Sone	BHP	Sone	BHP	Sone	BHP	Sone	BHP	Sone	BHP	Sone	BHP	Sone	BHP	Sone	BHP	Sone	BHP	Sone
225LPB	1/6	391	2303	2837		1695																				
				4.0	0.08	2.9	0.10																			
	464	2733	3367		2448																					
			5.6	0.13	4.6	0.16																				
	499	2939	3621		2778																					
			6.4	0.16	5.3	0.20																				
	534	3145	3875		3094																					
			7.2	0.20	6.1	0.23																				
	562	3310	4078		3339		2503																			
			7.8	0.23	6.8	0.27	6.0	0.29																		
	590	3475	4282		3578		2802																			
			8.5	0.27	7.4	0.31	6.8	0.33																		
	619	3646	4492		3821		3098																			
			9.2	0.31	8.0	0.35	7.5	0.38																		
	648	3817	4703		4061		3383																			
			9.9	0.35	8.7	0.4	8.1	0.44																		
	677	3987	4913		4297		3661		2933																	
			10.7	0.40	9.5	0.46	8.8	0.49	8.0	0.50																
	711	4188	5160		4572		3977		3311																	
			11.6	0.47	10.4	0.53	9.6	0.56	9.1	0.58																
	745	4388	5406		4844		4285		3662																	
			12.7	0.54	11.5	0.60	10.5	0.64	10.2	0.67																
	780	4594	5660		5122		4594		4011																	
			15.4	0.61	14.7	0.69	13.9	0.73	13.2	0.77																
	807	4753	5856		5335		4828		4273		3674															
			16.2	0.68	15.5	0.76	14.7	0.80	14.0	0.84	13.2	0.85														
	834	4912	6052		5547		5057		4529		3959															
			17.0	0.75	16.4	0.83	15.6	0.87	14.9	0.92	14.3	0.94														
860	5065	6241		5750		5276		4772		4226																
		17.9	0.82	17.2	0.91	16.5	0.95	15.8	1.00	15.2	1.03															
903	5319	6553		6085		5633		5164		4654		4116														
		19.2	0.95	18.6	1.04	17.9	1.10	17.3	1.14	16.7	1.19	16.0	1.19													
946	5572	6865		6418		5985		5545		5069		4567														
		21	1.10	20	1.19	19.4	1.25	18.8	1.30	18.2	1.35	17.7	1.37													
988	5819	7170		6741		6325		5909		5463		4991		4496												
		23	1.25	22	1.35	21	1.42	21	1.46	19.8	1.52	19.2	1.56	18.5	1.56											
1021	6014	7409		6994		6590		6190		5766		5315		4845												
		24	1.38	24	1.48	23	1.56	22	1.60	21	1.66	21	1.71	20	1.72											
1054	6208	7649		7246		6854		6468		6064		5632		5183		4711										
		26	1.52	25	1.63	24	1.71	24	1.76	23	1.81	22	1.87	22	1.90	21	1.90									
1088	6408	7896		7505		7124		6750		6365		5954		5524		5078										
		28	1.67	27	1.78	26	1.87	25	1.92	25	1.98	24	2.04	24	2.08	23	2.09									
1142	6726	8287		7915		7550		7194		6833		6451		6050		5634		5204								
		31	1.93	30	2.05	29	2.14	28	2.21	27	2.26	27	2.33	26	2.39	26	2.41	25	2.42							
1196	7045	8679		8324		7974		7633		7292		6936		6561		6171		5770		5352						
		34	2.22	33	2.34	32	2.45	32	2.52	31	2.57	30	2.64	30	2.71	29	2.76	29	2.77	27	2.77					
1249	7357	9064		8724		8387		8059		7734		7400		7049		6682		6306		5918		5509				
		37	2.52	37	2.66	36	2.77	35	2.85	34	2.91	33	2.97	33	3.05	32	3.11	32	3.15	32	3.16	30	3.16			

Performance shown is for Installation Type A: free inlet, free outlet. Power rating (BHP) does not include drive losses. Performance ratings do not include the effects of appurtenances in the airstream. The sound ratings shown are loudness values in fan sones at 5 ft. (1.5m) in a hemispherical free field calculated per AMCA Standard 301. Values shown are for Installation Type A: free inlet fan sone levels.



Wheel Diameter - 24.5"
Tip Speed (FPM) - 6.4 x RPM
Maximum RPM (Standard Wheel) - 1015
Maximum RPM (Reinforced Wheel) - 1270
Maximum BHP - 2.6 x (RPM/1000)³
Approx. Ship Wt. (Less Motor) - 475 lbs.
Roof Curb - RCG, RCA 34
Roof Opening - 31-1/2" Sq.

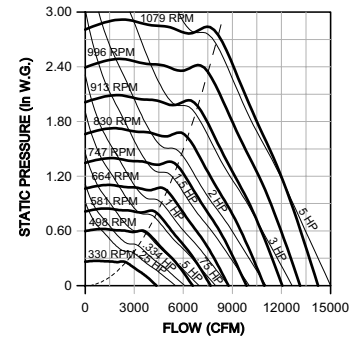
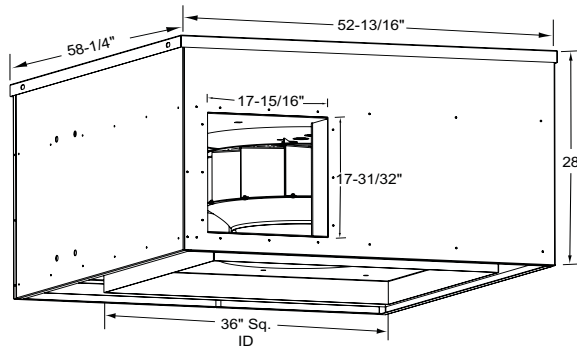
245 LPB

Catalog Number	Mtr. HP	Fan RPM	Tip Speed	0.000" SP		0.250" SP		0.500" SP		0.750" SP		1.000" SP		1.250" SP		1.500" SP		1.750" SP		2.000" SP		2.250" SP		2.500" SP		
				Sone	BHP	Sone	BHP	Sone	BHP	Sone	BHP	Sone	BHP	Sone	BHP	Sone	BHP	Sone	BHP	Sone	BHP	Sone	BHP	Sone	BHP	Sone
245LPB	1/6	361	2315	3560		2065																				
				5.4	0.10	4.0	0.12																			
	397	2546	3915		2595																					
				6.6	0.13	5.3	0.16																			
	1/4	427	2738	4211		3003																				
				7.8	0.16	6.4	0.20																			
	456	2924	4497		3397																					
				9.1	0.20	7.6	0.24																			
	480	3078	4734		3719																					
				10.2	0.23	8.7	0.28																			
	504	3232	4970		4030																					
				11.4	0.27	9.9	0.32																			
	542	3476	5345		4496		3400																			
				13.4	0.33	11.9	0.39	10.4	0.41																	
	579	3713	5710		4930		3909																			
				15.2	0.41	13.9	0.47	12.4	0.5																	
	623	3995	6144		5429		4507																			
				17.7	0.51	16.3	0.58	14.8	0.62																	
	667	4278	6578		5916		5103		4209																	
				19.5	0.62	18.2	0.71	16.8	0.75	15.4	0.77															
	701	4496	6913		6287		5549		4677																	
				21	0.72	19.6	0.81	18.3	0.87	16.9	0.89															
	735	4714	7249		6653		5977		5139		4347															
				22.0	0.83	21	0.93	19.9	0.99	18.5	1.02	17.3	1.03													
771	4945	7604		7038		6412		5628		4871																
			24	0.96	23	1.06	22	1.13	20	1.18	19	1.19														
807	5176	7959		7419		6835		6116		5367																
			26.0	1.10	24	1.21	23	1.29	22	1.34	21	1.36														
844	5413	8324		7809		7259		6608		5871		5192														
			28	1.26	26	1.37	25	1.46	24	1.52	23	1.55	22	1.56												
873	5599	8610		8113		7587		6980		6264		5599														
			30	1.39	28	1.51	27	1.60	26	1.67	25	1.71	24	1.72												
902	5785	8896		8415		7911		7342		6658		5997		5352												
			32	1.54	31	1.66	29	1.76	28	1.83	27	1.88	26	1.90	25	1.90										
931	5971	9182		8716		8232		7695		7051		6392		5779												
			34	1.69	33	1.82	31	1.92	30	2.00	29	2.05	28	2.09	27	2.09										
977	6266	9635		9193		8735		8239		7661		7017		6418		5824										
			37	1.95	36	2.09	35	2.20	34	2.29	32	2.35	31	2.40	30	2.41	29	2.42								
1023	6561	10089		9667		9232		8769		8248		7642		7045		6487		5874								
			41	2.24	40	2.38	39	2.51	37	2.60	36	2.67	35	2.74	34	2.77	32	2.77	31	2.77						
1068	6850	10533		10128		9715		9279		8801		8246		7656		7106		6574								
			45	2.55	44	2.70	43	2.83	41	2.94	40	3.02	39	3.09	37	3.14	36	3.15	35	3.16						
1135	7280	11193		10813		10426		10024		9593		9112		8565		8017		7505		7004						
			52	3.06	51	3.22	49	3.36	48	3.49	46	3.58	45	3.66	44	3.73	42	3.77	41	3.79	40	3.79				
1202	7709	11854		11496		11132		10757		10362		9935		9454		8927		8416		7935		7462				
			59	3.64	58	3.81	56	3.96	55	4.10	53	4.21	52	4.29	51	4.37	49	4.44	48	4.48	46	4.50	45	4.50		
1269	8139	12515		12175		11832		11480		11114		10726		10303		9827		9326		8847		8391				
			66	4.28	65	4.46	63	4.62	62	4.77	61	4.90	59	5.00	57	5.09	56	5.17	54	5.24	53	5.28	51	5.29		

Performance shown is for Installation Type A: free inlet, free outlet. Power rating (BHP) does not include drive losses. Performance ratings do not include the effects of appurtenances in the airstream. The sound ratings shown are loudness values in fan sones at 5 ft. (1.5m) in a hemispherical free field calculated per AMCA Standard 301. Values shown are for Installation Type A: free inlet fan sone levels.

270 LPB Data

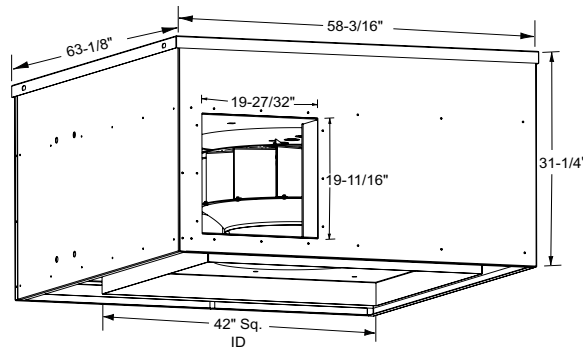
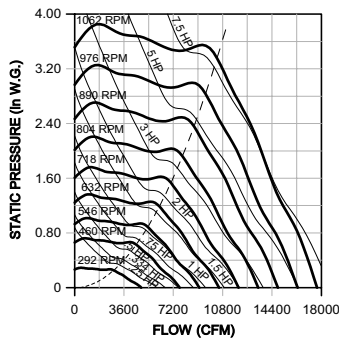
Wheel Diameter - 27"
Tip Speed (FPM) - 7.1 x RPM
Maximum RPM (Standard Wheel) - 876
Maximum RPM (Reinforced Wheel) - 1079
Maximum BHP - 4.2 x (RPM/1000)³
Maximum Motor Frame - 215T
Approx. Ship Wt. (Less Motor) - 530 lbs.
Roof Curb - RCG, RCA 34
Roof Opening - 31-1/2" Sq.



270 LPB

Catalog Number	Mtr. HP	Fan RPM	Tip Speed	0.000" SP		0.250" SP		0.500" SP		0.750" SP		1.000" SP		1.250" SP		1.500" SP		1.750" SP		2.000" SP		2.250" SP		2.500" SP						
				Sone	BHP	Sone	BHP	Sone	BHP	Sone	BHP	Sone	BHP	Sone	BHP	Sone	BHP	Sone	BHP	Sone	BHP	Sone	BHP	Sone	BHP	Sone	BHP			
270LPB	1/4	330	2332	4356		2566																								
				4.3	0.12	3.3	0.15																							
		388	2742	5122		3657																								
	5.9			0.20	4.8	0.24																								
	1/3	408	2883	5386		4021																								
				6.4	0.23	5.4	0.28																							
		429	3032	5663		4400																								
	7.0			0.27	5.9	0.33																								
	1/2	461	3258	6085		4956																								
				7.9	0.33	6.8	0.40																							
		492	3477	6494		5463		4133																						
	8.9			0.41	7.8	0.48	7.2	0.50																						
	3/4	530	3746	6996		6058		4832																						
				10.1	0.51	9.0	0.59	8.4	0.63																					
		567	4007	7484		6618		5504																						
	11.5			0.62	10.2	0.71	9.5	0.76																						
	1	596	4212	7867		7049		6031		4937																				
				12.5	0.72	11.2	0.82	10.3	0.88	9.9	0.89																			
		625	4417	8250		7473		6547		5477																				
	16.2			0.83	15.5	0.94	14.7	1.00	13.9	1.03																				
	1-1/2	656	4637	8659		7922		7076		6043																				
				17.4	0.96	16.7	1.07	15.9	1.15	15.1	1.19																			
		687	4856	9068		8367		7586		6606		5679																		
	18.5			1.10	17.8	1.22	17.0	1.30	16.3	1.36	15.6	1.37																		
	2	718	5075	9478		8808		8078		7170		6257																		
				19.7	1.26	19.0	1.39	18.2	1.48	17.5	1.54	16.8	1.56																	
		742	5244	9794		9148		8451		7603		6696		5824																
	21.0			1.39	19.9	1.52	19.1	1.62	18.4	1.69	17.7	1.72	16.8	1.72																
3	766	5414	10111		9486		8818		8027		7133		6309																	
			22	1.53	21	1.67	20	1.77	19.4	1.84	18.7	1.89	18.1	1.89																
	791	5591	10441		9836		9197		8458		7587		6778																	
23			1.69	22	1.83	21	1.94	20	2.02	19.7	2.07	19.1	2.08																	
4	820	5796	10824		10241		9630		8942		8114		7312		6532															
			24	1.88	23	2.03	22	2.15	22	2.23	21	2.29	20	2.32	19.5	2.32														
	849	6001	11207		10644		10059		9412		8639		7840		7098															
			25	2.08	24	2.24	24	2.37	23	2.46	22	2.53	22	2.57	21	2.58														
878	6206	11590		11046		10483		9872		9155		8366		7638		6893														
		26	2.31	26	2.47	25	2.60	24	2.7	24	2.78	23	2.83	23	2.85	22	2.85													
908	6418	11986		11461		10919		10338		9675		8912		8187		7497														
		28	2.55	27	2.72	26	2.86	26	2.97	25	3.05	25	3.12	24	3.15	24	3.15													
5	951	6722	12553		12052		11539		10995		10393		9691		8969		8299		7629											
			30	2.93	29	3.10	29	3.26	28	3.38	27	3.47	27	3.55	26	3.61	26	3.62	25	3.62										
	994	7026	13121		12642		12153		11641		11086		10452		9751		9085		8452		7782									
			33	3.35	32	3.53	31	3.70	31	3.83	30	3.93	29	4.02	28	4.09	28	4.13	28	4.14	26	4.13								
	1037	7330	13688		13230		12763		12278		11760		11185		10531		9865		9245		8641									
36			3.80	35	3.99	34	4.17	34	4.32	33	4.43	32	4.53	31	4.61	31	4.67	30	4.69	30	4.70									
1079	7627	14243		13802		13355		12893		12406		11876		11277		10629		10009		9422		8839								
		39	4.28	39	4.48	38	4.66	37	4.83	36	4.96	35	5.06	35	5.15	34	5.23	33	5.27	33	5.29	32	5.29							

Performance shown is for Installation Type A: free inlet, free outlet. Power rating (BHP) does not include drive losses. Performance ratings do not include the effects of appurtenances in the airstream. The sound ratings shown are loudness values in fan sones at 5 ft. (1.5m) in a hemispherical free field calculated per AMCA Standard 301. Values shown are for Installation Type A: free inlet fan sone levels.



Wheel Diameter - 30"
Tip Speed (FPM) - 7.9 x RPM
Maximum RPM (Standard Wheel) - 837
Maximum RPM (Reinforced Wheel) - 1062
Maximum BHP - 6.6 x (RPM/1000)³
Maximum Motor Frame - 254T
Approx. Ship Wt. (Less Motor) - 740 lbs.
Roof Curb - RCG, RCA 40
Roof Opening - 37-1/2" Sq.

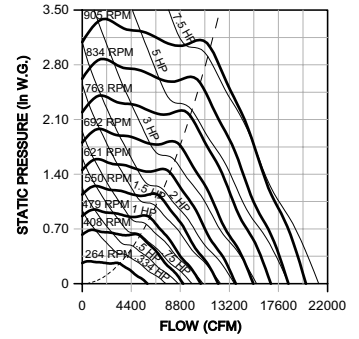
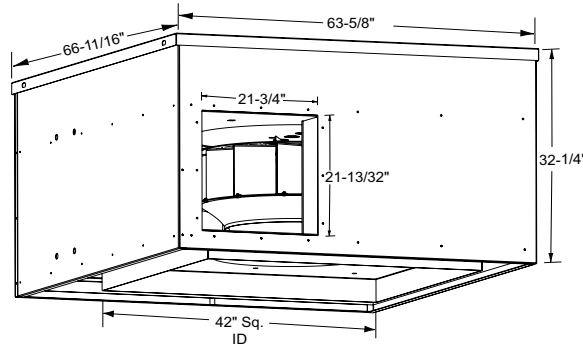
300 LPB

Catalog Number	Mtr. HP	Fan RPM	Tip Speed	0.000" SP		0.250" SP		0.500" SP		0.750" SP		1.000" SP		1.250" SP		1.500" SP		1.750" SP		2.000" SP		2.250" SP		2.500" SP			
				Sone	BHP	Sone	BHP	Sone	BHP	Sone	BHP	Sone	BHP	Sone	BHP	Sone	BHP	Sone	BHP	Sone	BHP	Sone	BHP	Sone	BHP	Sone	BHP
300LPB	1/4	292	2293	4864		2893																					
				4.6	0.13	3.4	0.17																				
	333	2615	5547		3905																						
			5.9	0.20	4.7	0.24																					
	1/3	351	2756	5847		4316																					
				6.5	0.23	5.4	0.28																				
		368	2890	6131		4664																					
			7.2	0.26	6.0	0.31																					
	1/2	396	3110	6597		5206																					
				8.3	0.33	7.3	0.39																				
		423	3322	7047		5720		4342																			
			9.5	0.40	8.5	0.47	7.2	0.50																			
	3/4	455	3573	7580		6342		5125																			
				11.0	0.50	10.1	0.57	8.8	0.61																		
		487	3824	8113		6991		5899																			
			12.7	0.61	11.8	0.70	10.4	0.74																			
	1	512	4021	8529		7507		6427		5169																	
				14.1	0.71	13.2	0.80	11.9	0.85	10.6	0.89																
		537	4217	8946		8013		6921		5771																	
			15.4	0.82	14.6	0.91	13.4	0.97	12.2	1.02																	
	1-1/2	577	4531	9612		8791		7685		6769																	
				17.1	1.02	16.3	1.12	15.3	1.19	14.1	1.24																
		616	4838	10262		9517		8432		7645		6566															
			18.8	1.24	18.0	1.35	16.8	1.43	15.9	1.48	14.9	1.54															
	2	637	5002	10612		9900		8839		8071		7085															
				19.8	1.37	19.0	1.48	17.8	1.58	16.9	1.63	16.0	1.69														
		658	5167	10962		10279		9258		8482		7614		6600													
				21.0	1.51	20	1.62	18.7	1.73	17.8	1.79	17.0	1.84	16.0	1.89												
		679	5332	11311		10655		9687		8885		8119		7109													
			22	1.66	21	1.78	19.6	1.89	18.7	1.95	18.0	2.01	17.2	2.07													
3	713	5599	11878		11259		10388		9533		8863		7941														
			23	1.93	23	2.05	21	2.17	20	2.24	19.4	2.30	18.7	2.37													
	747	5866	12444		11858		11083		10182		9545		8790		7863												
		25	2.22	24	2.34	23	2.47	21	2.56	21	2.62	20	2.69	19.4	2.75												
	780	6126	12994		12436		11739		10822		10183		9545		8673		7845										
		26	2.52	26	2.65	24	2.79	23	2.90	22	2.96	21	3.02	21	3.10	19.9	3.15										
5	829	6510	13810		13288		12678		11811		11116		10550		9883		9030		8262								
			29	3.03	28	3.17	26	3.31	25	3.44	24	3.52	23	3.59	23	3.66	22	3.74	21	3.79							
	878	6895	14627		14136		13585		12821		12057		11498		10952		10258		9450		8730						
			31	3.60	31	3.74	29	3.89	28	4.04	27	4.15	26	4.22	26	4.29	25	4.37	25	4.45	23	4.50					
	927	7280	15443		14980		14472		13816		13023		12431		11927		11383		10679		9921		9241				
		34	4.23	34	4.39	32	4.55	31	4.70	30	4.84	29	4.92	28	5.00	28	5.07	27	5.16	27	5.25	26	5.30				
7-1/2	972	7634	16193		15752		15279		14700		13940		13293		12791		12308		11754		11044		10334				
			38	4.88	37	5.04	36	5.21	34	5.37	33	5.53	32	5.64	31	5.72	30	5.79	30	5.87	30	5.97	29	6.05			
	1017	7987	16942		16522		16076		15558		14869		14172		13647		13186		12712		12143		11450				
			41	5.59	41	5.76	39	5.93	38	6.10	37	6.28	35	6.41	34	6.50	34	6.58	33	6.66	32	6.75	32	6.85			
	1062	8340	17692		17290		16867		16392		15785		15079		14508		14046		13608		13140		12567				
		45	6.37	45	6.54	43	6.72	42	6.9	40	7.08	39	7.24	38	7.35	37	7.44	36	7.52	36	7.61	35	7.71				

Performance shown is for Installation Type A: free inlet, free outlet. Power rating (BHP) does not include drive losses. Performance ratings do not include the effects of appurtenances in the airstream. The sound ratings shown are loudness values in fan sones at 5 ft. (1.5m) in a hemispherical free field calculated per AMCA Standard 301. Values shown are for Installation Type A: free inlet fan sone levels.

330 LPB Data

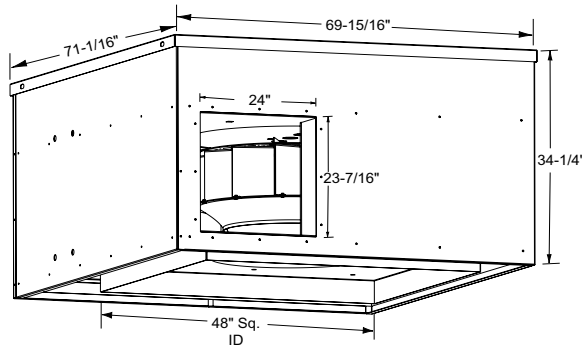
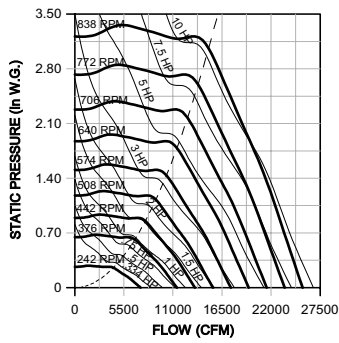
- Wheel Diameter - 33"
- Tip Speed (FPM) - 8.6 x RPM
- Maximum RPM (Standard Wheel) - 716
- Maximum RPM (Reinforced Wheel) - 905
- Maximum BHP - 10.7 x (RPM/1000)³
- Maximum Motor Frame - 254T
- Approx. Ship Wt. (Less Motor) - 810 lbs.
- Roof Curb - RCG, RCA 40
- Roof Opening - 37-1/2" Sq.



330 LPB

Catalog Number	Mtr. HP	Fan RPM	Tip Speed	0.000" SP		0.250" SP		0.500" SP		0.750" SP		1.000" SP		1.250" SP		1.500" SP		1.750" SP		2.000" SP		2.250" SP		2.500" SP					
				Sone	BHP	Sone	BHP	Sone	BHP	Sone	BHP	Sone	BHP	Sone	BHP	Sone	BHP	Sone	BHP	Sone	BHP	Sone	BHP	Sone	BHP	Sone	BHP		
330LPB	1/3	264	2280	5854		3449																							
				4.7	0.16	3.4	0.20																						
	314	2712	6962		5074																								
			6.4	0.27	5.3	0.32																							
	1/2	337	2911	7472		5708																							
				7.4	0.33	6.2	0.39																						
		360	3110	7982		6299																							
			8.4	0.40	7.3	0.47																							
	3/4	388	3352	8603		7009		5364																					
				9.8	0.50	8.7	0.58	7.4	0.62																				
		415	3585	9202		7710		6247																					
			11.2	0.61	10.2	0.70	8.9	0.75																					
	1	436	3766	9667		8275		6932																					
				12.4	0.71	11.5	0.81	10.1	0.86																				
		457	3948	10133		8851		7547		5965																			
				13.7	0.82	12.8	0.92	11.5	0.98	10.0	1.02																		
	1-1/2	491	4241	10887		9770		8446		7075																			
				15.7	1.01	14.9	1.12	13.7	1.19	12.4	1.25																		
		525	4535	11641		10648		9311		8206																			
				17.7	1.24	16.9	1.36	15.8	1.44	14.6	1.50																		
	2	543	4691	12040		11097		9768		8764		7403																	
				18.6	1.37	17.8	1.49	16.7	1.59	15.7	1.65	14.5	1.71																
		561	4846	12439		11540		10228		9278		7977																	
			19.6	1.51	18.7	1.64	17.6	1.74	16.6	1.80	15.6	1.87																	
		579	5002	12838		11977		10692		9763		8569																	
				21	1.66	19.7	1.79	18.4	1.91	17.4	1.97	16.5	2.04																
	3	607	5244	13459		12648		11441		10489		9500		8274															
				22.0	1.91	21	2.05	19.8	2.18	18.8	2.25	18.0	2.32	17.1	2.39														
		635	5486	14080		13313		12208		11201		10352		9171															
			24	2.19	23	2.33	21	2.48	20	2.56	19.5	2.63	18.8	2.71															
	664	5736	14723		13995		13002		11937		11153		10141		9033														
			25	2.51	24	2.65	23	2.80	22	2.91	21	2.98	20	3.06	19.4	3.13													
5	696	6013	15432		14743		13860		12757		11986		11164		10059														
			27	2.89	26	3.04	25	3.20	23	3.32	22	3.40	22	3.48	21	3.57													
		728	16142		15487		14690		13598		12802		12080		11130		10102												
			29	3.30	28	3.47	26	3.63	25	3.78	24	3.86	23	3.94	23	4.03	22	4.11											
	760	6565	16851		16226		15497		14464		13613		12932		12155		11136		10212										
		30	3.76	30	3.93	28	4.10	26	4.26	25	4.37	25	4.44	24	4.53	24	4.63	23	4.69										
	790	6825	17517		16916		16237		15289		14377		13704		13029		12144		11173										
			32	4.22	31	4.40	30	4.57	28	4.75	27	4.87	26	4.96	26	5.04	25	5.14	25	5.23									
7-1/2	819	7075	18160		17582		16942		16081		15126		14441		13812		13070		12125		11249								
			34	4.70	33	4.89	32	5.07	30	5.26	29	5.40	28	5.49	28	5.58	27	5.67	27	5.78	26	5.86							
		848	18803		18246		17637		16857		15897		15176		14567		13925		13096		12174		11361						
			36	5.22	36	5.41	34	5.60	32	5.79	31	5.96	30	6.07	29	6.15	29	6.24	28	6.35	28	6.46	27	6.52					
	877	7576	19446		18909		18330		17616		16686		15912		15307		14718		14018		13140		12292						
		38	5.78	38	5.97	36	6.17	34	6.37	33	6.55	32	6.68	31	6.77	31	6.86	30	6.96	30	7.08	29	7.17						
	905	7818	20067		19547		18992		18333		17456		16635		16017		15451		14842		14072		13200						
			40	6.35	40	6.55	38	6.75	37	6.95	35	7.15	34	7.30	33	7.40	33	7.50	32	7.59	32	7.71	31	7.82					

Performance shown is for Installation Type A: free inlet, free outlet. Power rating (BHP) does not include drive losses. Performance ratings do not include the effects of appurtenances in the airstream. The sound ratings shown are loudness values in fan sones at 5 ft. (1.5m) in a hemispherical free field calculated per AMCA Standard 301. Values shown are for Installation Type A: free inlet fan sone levels.



Wheel Diameter - 36.5"
Tip Speed (FPM) - 9.6 x RPM
Maximum RPM (Standard Wheel) - 624
Maximum RPM (Reinforced Wheel) - 838
Maximum BHP - 18.0 x (RPM/1000)³
Maximum Motor Frame - 256T
Approx. Ship Wt. (Less Motor) - 1040 lbs.
Roof Curb - RCG, RCA 46
Roof Opening - 43-1/2" Sq.

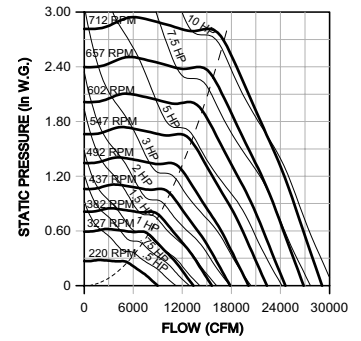
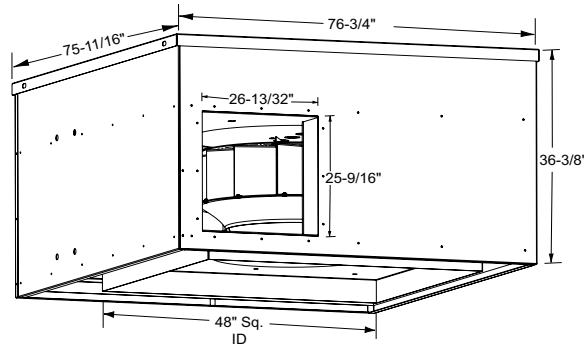
365 LPB

Catalog Number	Mtr. HP	Fan RPM	Tip Speed	0.000" SP		0.250" SP		0.500" SP		0.750" SP		1.000" SP		1.250" SP		1.500" SP		1.750" SP		2.000" SP		2.250" SP		2.500" SP					
				Sone	BHP	Sone	BHP	Sone	BHP	Sone	BHP	Sone	BHP	Sone	BHP	Sone	BHP	Sone	BHP	Sone	BHP	Sone	BHP	Sone	BHP	Sone	BHP		
365LPB	1/3	242	2312	7375		4421																							
				4.9	0.21	3.6	0.25																						
	264	2522	8045		5411																								
			5.8	0.27	4.6	0.33																							
	1/2	284	2713	8655		6258																							
				6.7	0.34	5.5	0.40																						
		303	2895	9234		7047																							
				7.4	0.41	6.3	0.48																						
	3/4	325	3105	9904		7936																							
				8.5	0.51	7.4	0.57																						
		348	3325	10605		8812		6531																					
				9.7	0.62	8.6	0.69	7.3	0.76																				
	1	366	3497	11153		9465		7334																					
				10.8	0.73	9.7	0.80	8.3	0.88																				
		384	3669	11702		10101		8107																					
				11.9	0.84	10.9	0.92	9.5	1.01																				
	1-1/2	412	3936	12555		11066		9283																					
				13.8	1.04	12.8	1.13	11.4	1.21																				
		441	4214	13439		12047		10478		8664																			
				15.7	1.27	14.9	1.38	13.6	1.45	12.2	1.55																		
	2	456	4357	13896		12549		11080		9317																			
				16.7	1.40	15.9	1.52	14.7	1.58	13.4	1.70																		
		471	4500	14353		13048		11665		9959																			
				17.6	1.55	16.8	1.67	15.6	1.73	14.4	1.86																		
		486	4644	14810		13544		12234		10592		8941																	
				18.5	1.70	17.7	1.83	16.5	1.88	15.4	2.02	14.1	2.06																
	3	510	4873	15542		14333		13114		11594		10039																	
				20.0	1.97	19.2	2.11	18.0	2.16	16.9	2.29	15.9	2.39																
		534	5102	16273		15117		13968		12584		11079																	
				22	2.26	21	2.41	19.5	2.47	18.4	2.58	17.5	2.73																
		558	5332	17004		15897		14804		13551		12097		10682															
				23	2.57	22	2.74	21	2.81	19.9	2.90	19	3.07	18.1	3.13														
	5	593	5666	18071		17028		16002		14900		13558		12214		10841													
				26	3.09	25	3.27	23	3.36	22	3.42	21	3.60	20	3.74	19.4	3.73												
		628	6000	19138		18152		17183		16183		14994		13699		12443													
				28	3.67	27	3.87	26	3.98	24	4.03	23	4.17	23	4.37	22	4.46												
	664	6344	20235		19302		18383		17457		16416		15199		13995		12807												
			31	4.34	30	4.55	28	4.69	26	4.75	25	4.84	25	5.04	24	5.22	24	5.28											
7-1/2	696	6650	21210		20320		19441		18566		17624		16516		15345		14209		13062										
			33	4.99	32	5.22	30	5.38	28	5.45	27	5.52	27	5.7	26	5.92	26	6.06	25	6.06									
	728	6956	22185		21334		20491		19658		18788		17795		16676		15575		14493		13363								
			35	5.72	34	5.95	32	6.13	31	6.22	29	6.28	29	6.41	28	6.65	28	6.85	27	6.95	26	6.91							
	761	7271	23191		22376		21569		20771		19957		19064		18034		16960		15917		14882								
			37	6.53	37	6.78	35	6.98	33	7.09	32	7.15	31	7.24	30	7.45	30	7.7	29	7.88	29	7.95							
10	799	7635	24349		23573		22802		22042		21277		20467		19554		18536		17522		16533		15547						
			40	7.56	40	7.82	38	8.04	36	8.18	35	8.25	33	8.32	33	8.47	32	8.73	32	8.97	31	9.14	31	9.20					
	838	8007	25537		24797		24061		23334		22609		21861		21048		20127		19147		18188		17246						
			44	8.72	43	8.99	41	9.23	40	9.40	38	9.49	37	9.56	36	9.66	35	9.88	35	10.2	34	10.4	34	10.6					

Performance shown is for Installation Type A: free inlet, free outlet. Power rating (BHP) does not include drive losses. Performance ratings do not include the effects of appurtenances in the airstream. The sound ratings shown are loudness values in fan sones at 5 ft. (1.5m) in a hemispherical free field calculated per AMCA Standard 301. Values shown are for Installation Type A: free inlet fan sone levels.

402 LPB Data

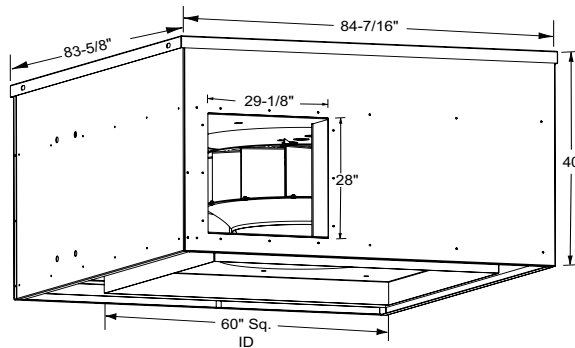
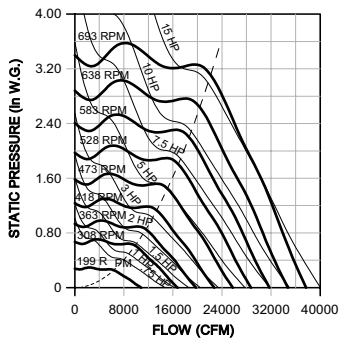
Wheel Diameter - 40.25"
Tip Speed (FPM) - 10.5 x RPM
Maximum RPM (Standard Wheel) - 539
Maximum RPM (Reinforced Wheel) - 712
Maximum BHP - 29.4 x (RPM/1000)³
Maximum Motor Frame - 256T
Approx. Ship Wt. (Less Motor) - 1187 lbs.
Roof Curb - RCG, RCA 46
Roof Opening - 43-1/2" Sq.



402 LPB

Catalog Number	Mtr. HP	Fan RPM	Tip Speed	0.000" SP		0.250" SP		0.500" SP		0.750" SP		1.000" SP		1.250" SP		1.500" SP		1.750" SP		2.000" SP		2.250" SP		2.500" SP		
				Sone	BHP	Sone	BHP	Sone	BHP	Sone	BHP	Sone	BHP	Sone	BHP	Sone	BHP	Sone	BHP	Sone	BHP	Sone	BHP	Sone	BHP	Sone
402LPB	1/2	220	2318	8990		5407																				
				5.0	0.26	3.7	0.31																			
	257	2708	10502		7576																					
			6.7	0.41	5.6	0.49																				
	3/4	277	2918	11320		8689																				
				7.7	0.51	6.7	0.59																			
		296	3119	12096		9714																				
	8.7			0.63	7.6	0.70																				
	1	312	3287	12750		10534		7703																		
				9.6	0.73	8.5	0.81	7.2	0.89																	
		327	3445	13363		11272		8623																		
	10.6			0.84	9.5	0.93	8.0	1.03																		
	1-1/2	343	3614	14017		12035		9553																		
				11.7	0.97	10.6	1.07	9.1	1.18																	
		359	3782	14671		12782		10463																		
				12.8	1.12	11.8	1.22	10.3	1.33																	
	375	3951	15324		13518		11359																			
			14.0	1.27	13.0	1.39	11.6	1.49																		
	2	388	4088	15856		14110		12081		9810																
				15.0	1.41	14.0	1.53	12.6	1.63	11.2	1.71															
		401	4225	16387		14696		12795		10591																
	16.0			1.56	15.1	1.69	13.7	1.77	12.3	1.89																
	413	4351	16877		15235		13441		11292																	
			16.8	1.70	16.0	1.84	14.7	1.91	13.4	2.06																
			17695		16126		14482		12437																	
	3	433	4562	18.1	1.96	17.3	2.11	16.1	2.18	14.9	2.35															
				18512		17010		15480		13562		11632														
		453	4773	19.5	2.24	18.6	2.41	17.5	2.47	16.3	2.64	15.1	2.73													
				19370		17933		16494		14730		12871														
	5	504	5310	20596		19242		17905		16365		14588		12855												
23				3.09	22	3.29	21	3.38	19.9	3.48	18.9	3.69	18.0	3.75												
534		5626	21822		20543		19285		17923		16269		14625													
			26	3.67	25	3.89	23	4.00	22	4.08	21	4.29	20	4.45												
564		5943	23048		21836		20644		19408		17926		16339		14795											
	28		4.33	27	4.56	26	4.7	24	4.76	23	4.94	23	5.17	22	5.27											
7-1/2	591	6227	24151		22994		21855		20699		19375		17853		16369		14881									
			30	4.98	30	5.23	28	5.39	26	5.46	25	5.59	25	5.84	24	6.03	23	6.04								
	618	6512	25255		24147		23055		21963		20766		19352		17908		16499									
			33	5.69	33	5.96	30	6.14	29	6.22	27	6.32	27	6.55	26	6.80	26	6.93								
646	6807	26399		25339		24292		23253		22154		20878		19478		18120		16772								
		36	6.50	35	6.78	33	6.99	31	7.09	30	7.17	29	7.35	29	7.63	28	7.85	28	7.91							
10	668	7039	27298		26273		25259		24256		23215		22041		20702		19370		18067		16741					
			38	7.19	37	7.48	35	7.71	33	7.82	31	7.90	31	8.04	30	8.32	30	8.58	29	8.74	28	8.72				
	690	7270	28197		27204		26221		25250		24259		23170		21914		20606		19336		18076					
			39	7.92	39	8.23	37	8.47	35	8.60	33	8.68	32	8.80	32	9.05	31	9.34	31	9.56	30	9.65				
	712	7502	29096		28134		27180		26238		25286		24267		23102		21832		20587		19365		18133			
41			8.71	41	9.02	39	9.28	37	9.44	35	9.52	34	9.61	33	9.82	33	10.1	33	10.4	32	10.6	31	10.6			

Performance shown is for Installation Type A: free inlet, free outlet. Power rating (BHP) does not include drive losses. Performance ratings do not include the effects of appurtenances in the airstream. The sound ratings shown are loudness values in fan sones at 5 ft. (1.5m) in a hemispherical free field calculated per AMCA Standard 301. Values shown are for Installation Type A: free inlet fan sone levels.



Wheel Diameter - 44.5"
Tip Speed (FPM) - 11.7 x RPM
Maximum RPM (Standard Wheel) - 463
Maximum RPM (Reinforced Wheel) - 930
Maximum BHP - 47.7 x (RPM/1000)³
Maximum Motor Frame - 284T
Approx. Ship Wt. (Less Motor) - 1455 lbs.
Roof Curb - RCGH - 58
Roof Opening - 55-1/2" Sq.

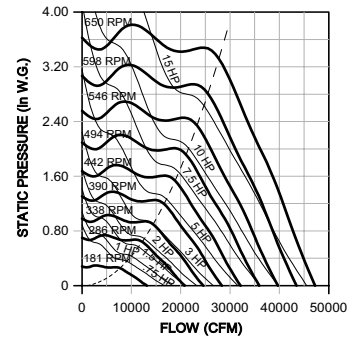
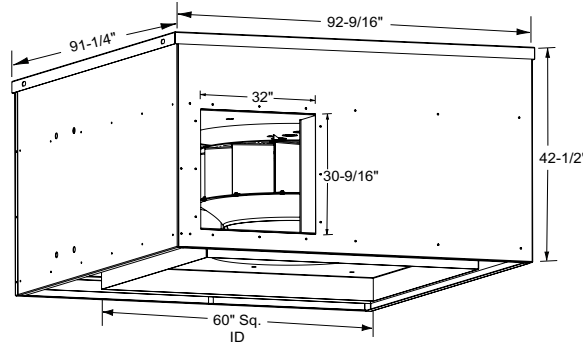
445 LPB

Catalog Number	Mtr. HP	Fan RPM	Tip Speed	0.000" SP		0.250" SP		0.500" SP		0.750" SP		1.000" SP		1.250" SP		1.500" SP		1.750" SP		2.000" SP		2.250" SP		2.500" SP			
				Sone	BHP	Sone	BHP	Sone	BHP	Sone	BHP	Sone	BHP	Sone	BHP	Sone	BHP	Sone	BHP	Sone	BHP	Sone	BHP	Sone	BHP	Sone	BHP
445LPB	3/4	199	2318	10834	6525																						
				5.0	0.30	3.8	0.38																				
		252	2935	13719	10452																						
			7.9	0.60	6.9	0.73																					
	1	265	3087	14427	11384																						
				8.7	0.70	7.6	0.84																				
		278	3238	15135	12276																						
			9.5	0.81	8.5	0.97																					
	1-1/2	298	3471	16224	13574	10566																					
				10.9	1.00	9.8	1.18	8.4	1.25																		
		319	3716	17367	14876	12085																					
			12.5	1.22	11.4	1.43	9.9	1.51																			
	2	335	3902	18238	15846	13226																					
				13.8	1.42	12.7	1.64	11.2	1.72																		
		351	4089	19109	16804	14390	11848																				
			15.2	1.63	14.1	1.87	12.7	1.97	11.2	2.06																	
	3	368	4287	20035	17813	15619	13165																				
				16.6	1.88	15.7	2.14	14.3	2.26	12.9	2.35																
		385	4485	20960	18814	16808	14396																				
			17.8	2.15	17.0	2.43	15.7	2.57	14.3	2.66																	
		403	4694	21940	19871	18013	15677	13487																			
			19.1	2.47	18.3	2.76	17.1	2.93	15.8	3.01	14.5	3.12															
	5	428	4986	23301	21330	19609	17487	15429																			
				21	2.95	20	3.28	18.9	3.48	17.8	3.57	16.7	3.69														
453		5277	24662	22782	21152	19292	17224	15285																			
		23	3.50	22	3.85	21	4.08	19.7	4.20	18.7	4.31	17.6	4.43														
	479	5580	26078	24286	22725	21095	19085	17285																			
		25	4.14	24	4.51	23	4.78	22	4.94	21	5.02	19.9	5.18														
7-1/2	502	5848	27330	25611	24098	22608	20758	18939	17210																		
			27	4.77	26	5.16	25	5.46	24	5.65	23	5.74	22	5.88	21	6.02											
	525	6116	28582	26931	25461	24067	22413	20578	18955	17120																	
		29	5.45	29	5.87	27	6.19	25	6.42	25	6.54	24	6.64	23	6.82	22	6.91										
	549	6395	29889	28305	26874	25551	24081	22316	20682	19119																	
		32	6.24	31	6.67	29	7.03	27	7.28	26	7.45	26	7.53	25	7.69	25	7.86										
10	568	6617	30923	29388	27989	26707	25347	23699	22032	20542	18906																
			34	6.91	33	7.36	31	7.74	30	8.02	28	8.21	28	8.31	27	8.43	27	8.63	26	8.75							
	587	6838	31957	30469	29097	27853	26575	25061	23400	21912	20447																
		37	7.62	36	8.09	34	8.49	32	8.80	30	9.02	30	9.14	29	9.24	29	9.43	28	9.60								
	605	7048	32937	31490	30148	28929	27714	26318	24709	23193	21799	20274															
		39	8.35	38	8.83	36	9.25	34	9.58	33	9.83	32	9.98	31	10.07	31	10.23	30	10.4	29	10.6						
15	627	7304	34135	32737	31428	30237	29078	27806	26307	24763	23387	22024															
			42	9.29	42	9.8	39	10.2	37	10.6	35	10.9	34	11.1	34	11.2	33	11.3	33	11.5	33	11.7					
	649	7560	35333	33980	32702	31538	30422	29246	27876	26362	24953	23652	22292														
			44	10.3	44	10.8	42	11.3	40	11.7	38	12	36	12.2	36	12.4	35	12.5	35	12.6	34	12.8	34	13			
	671	7817	36531	35221	33976	32832	31752	30647	29398	27964	26524	25231	23971														
		47	11.4	46	11.9	44	12.4	42	12.8	40	13.2	38	13.4	38	13.60	37	13.7	37	13.8	36	14.1	36	14.3				
	693	8073	37728	36458	35246	34123	33071	32015	30868	29543	28123	26796	25574														
		49	12.5	49	13.1	47	13.6	45	14.1	43	14.4	41	14.7	40	14.9	39	15.1	39	15.2	38	15.3	38	15.6				

Performance shown is for Installation Type A: free inlet, free outlet. Power rating (BHP) does not include drive losses. Performance ratings do not include the effects of appurtenances in the airstream. The sound ratings shown are loudness values in fan sones at 5 ft. (1.5m) in a hemispherical free field calculated per AMCA Standard 301. Values shown are for Installation Type A: free inlet fan sone levels.

490 LPB Data

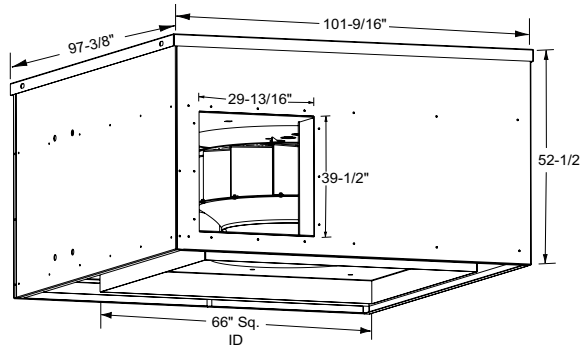
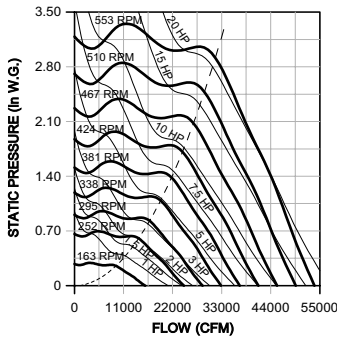
Wheel Diameter - 49"
Tip Speed (FPM) - 12.8 x RPM
Maximum RPM (Standard Wheel) - 360
Maximum RPM (Reinforced Wheel) - 650
Maximum BHP - 77.3 x (RPM/1000)³
Maximum Motor Frame - 286T
Approx. Ship Wt. (Less Motor) - 1675 lbs.
Roof Curb - RCGH - 58
Roof Opening - 55-1/2" Sq.



490 LPB

Catalog Number	Mtr. HP	Fan RPM	Tip Speed	0.000" SP		0.250" SP		0.500" SP		0.750" SP		1.000" SP		1.250" SP		1.500" SP		1.750" SP		2.000" SP		2.250" SP		2.500" SP			
				Sone	BHP	Sone	BHP	Sone	BHP	Sone	BHP	Sone	BHP	Sone	BHP	Sone	BHP	Sone	BHP	Sone	BHP	Sone	BHP	Sone	BHP	Sone	BHP
490LPB	3/4	181	2321	13156	7943																						
				5.1	0.36	3.9	0.46																				
	214	2745	15555	11231																							
	1			16354	12297																						
		225	2886	7.7	0.69	6.7	0.84																				
	1-1/2			17154	13359																						
		236	3027	8.4	0.80	7.4	0.96																				
	2			18462	15019																						
		254	3258	9.7	1.00	8.7	1.19																				
	3			19698	16489	12846																					
		271	3476	11.1	1.21	10.0	1.43	8.7	1.52																		
	4			20715	17652	14204																					
		285	3656	12.3	1.41	11.1	1.65	9.8	1.75																		
	5			21733	18790	15535																					
		299	3835	13.5	1.63	12.4	1.89	10.8	1.99																		
	6			23332	20551	17663	14605																				
		321	4117	15.5	2.02	14.5	2.31	12.9	2.43	11.4	2.55																
	7			24931	22290	19766	16817																				
		343	4400	17.4	2.46	16.6	2.79	15.2	2.95	13.7	3.06																
	8			27257	24794	22617	19870	17327																			
		375	4810	20	3.22	19.2	3.59	18.0	3.81	16.7	3.90	15.5	4.06														
	9			29655	27359	25368	23066	20559	18142																		
		408	5233	23.0	4.14	22	4.56	21	4.84	19.5	4.98	18.4	5.10	17.2	5.25												
	10			31109	28905	26989	24937	22462	20262																		
		428	5490	25	4.78	24	5.22	22	5.54	21	5.72	20	5.82	19.2	6.00												
	11			32563	30446	28589	26726	24399	22208	19996																	
		448	5747	27.0	5.48	26	5.95	24	6.30	23	6.52	22	6.62	21	6.79	20	6.94										
	12			34017	31979	30176	28442	26337	24110	22112																	
		468	6003	29	6.25	28	6.74	26	7.12	25	7.38	24	7.51	23	7.65	22	7.85										
	13			35180	33204	31438	29777	27854	25641	23680	21610																
484		6208	30	6.92	29	7.43	28	7.83	26	8.12	25	8.28	24	8.39	24	8.60	23	8.75									
14			36343	34426	32694	31094	29325	27194	25208	23324																	
	500	6414	32	7.62	31	8.15	29	8.59	28	8.90	27	9.10	26	9.21	25	9.39	24	9.60									
15			37433	35569	33869	32312	30657	28651	26632	24822	22822																
	515	6606	34	8.33	33	8.88	31	9.33	30	9.67	28	9.91	28	10	27	10.2	26	10.4	25	10.6							
16			39250	37466	35817	34322	32808	31036	29037	27222	25493																
	540	6927	37	9.6	37	10.2	35	10.7	33	11.1	31	11.3	31	11.5	30	11.6	29	11.8	29	12.1							
17			41067	39358	37762	36311	34891	33320	31467	29601	27931	26247															
	565	7247	41	11.00	41	11.6	38	12.1	37	12.6	35	12.9	34	13.1	33	13.24	33	13.39	32	13.6	31	13.9					
18			42884	41245	39696	38285	36933	35510	33853	32019	30309	28733	27089														
	590	7568	45	12.5	45	13.2	43	13.7	41	14.20	39	14.6	37	14.8	37	15	36	15.1	35	15.3	35	15.6	34	15.8			
19			44338	42751	41242	39856	38548	37209	35698	33962	32218	30648	29123														
	610	7825	49	13.8	48	14.5	46	15.10	44	15.60	42	16.00	40	16.3	39	16.5	39	16.7	38	16.8	38	17.1	37	17.4			
20			45792	44253	42783	41423	40147	38869	37481	35878	34158	32547	31066														
	630	8081	52	15.3	52	15.9	50	16.6	47	17.1	45	17.5	43	17.9	42	18.1	42	18.30	41	18.4	41	18.6	40	18.9			
21			47245	45752	44318	42982	41737	40509	39214	37744	36102	34463	32971														
	650	8338	55	16.8	55	17.5	52	18.1	50	18.7	48	19.1	46	19.5	44	19.8	44	20	43	20.2	43	20.3	42	20.6			

Performance shown is for Installation Type A: free inlet, free outlet. Power rating (BHP) does not include drive losses. Performance ratings do not include the effects of appurtenances in the airstream. The sound ratings shown are loudness values in fan sones at 5 ft. (1.5m) in a hemispherical free field calculated per AMCA Standard 301. Values shown are for Installation Type A: free inlet fan sone levels.



Wheel Diameter - 54"
Tip Speed (FPM) - 14.1 x RPM
Maximum RPM (Standard Wheel) - 347
Maximum RPM (Reinforced Wheel) - 553
Maximum BHP - 125.5 x (RPM/1000)³
Maximum Motor Frame - 286T
Approx. Ship Wt. (Less Motor) - 2205 lbs.
Roof Curb - RCGH - 64
Roof Opening - 61-1/2" Sq.

540 LPB

Catalog Number	Mtr. HP	Fan RPM	Tip Speed	0.000" SP		0.250" SP		0.500" SP		0.750" SP		1.000" SP		1.250" SP		1.500" SP		1.750" SP		2.000" SP		2.250" SP		2.500" SP			
				Sone	BHP	Sone	BHP	Sone	BHP	Sone	BHP	Sone	BHP	Sone	BHP	Sone	BHP	Sone	BHP	Sone	BHP	Sone	BHP	Sone	BHP	Sone	BHP
540LPB	1	163	2304	15857	9431																						
		201	2841	19554	14518																						
	1-1/2	216	3053	21013	16457																						
		231	3265	22472	18299	13421																					
	2	243	3435	23640	19693	15203																					
		254	3590	24710	20926	16656																					
	3	273	3859	26558	23001	19078																					
		292	4128	28407	25034	21540	17835																				
	5	310	4382	30158	26939	23847	20259																				
				17.5	2.95	16.6	3.34	15.2	3.54	13.6	3.68																
		328	4637	31909	28829	26035	22556	19206																			
				19.2	3.50	18.3	3.92	17.0	4.16	15.6	4.28	14.2	4.43														
	347	4905	33757	30811	28230	24997	21954																				
	7-1/2	364	5145	35411	32581	30124	27209	24169	21006																		
				23.0	4.78	22	5.27	20	5.6	19.2	5.75	18.1	5.92	16.9	6.05												
				37065	34340	31979	29372	26332	23596																		
	381	5386	24	5.48	23	6.00	22	6.36	21	6.56	19.7	6.70	18.8	6.91													
	398	5626	38719	36098	33809	31445	28518	25867																			
	10	411	5810	39983	37436	35197	32979	30210	27537	24941																	
				27	6.88	26	7.45	25	7.88	23	8.16	22	8.29	21	8.50	21	8.70										
				41248	38769	36576	34463	31894	29190	26757																	
				28	7.55	28	8.15	26	8.61	25	8.92	24	9.08	23	9.24	22	9.49										
	15	459	6488	44653	42350	40261	38338	36242	33709	31280	29038																
				32	9.58	32	10.2	30	10.8	28	11.2	27	11.4	26	11.6	26	11.8	25	12								
				46696	44486	42456	40609	38701	36419	33961	31777	29581															
	480	6785	36	11	35	11.7	33	12.2	31	12.7	30	13	29	13.2	28	13.3	28	13.6	27	13.8							
	502	7096	48836	46717	44749	42961	41186	39168	36821	34578	32534	30348															
	20	515	7280	50101	48033	46100	44342	42626	40736	38508	36237	34209	32184	29745													
41				13.5	41	14.3	39	14.9	37	15.5	35	15.9	34	16.1	33	16.3	33	16.5	32	16.8	31	17	30	17.2			
51365				49347	47447	45717	44050	42273	40173	37919	35864	33926	31823														
44				14.6	43	15.4	41	16	39	16.6	37	17	36	17.3	35	17.5	35	17.7	34	17.9	33	18.3	32	18.5			
52630				50659	48790	47086	45461	43765	41808	39612	37515	35613	33670														
541	7648	46	15.7	46	16.5	43	17.2	41	17.8	40	18.2	38	18.6	37	18.8	37	18.9	36	19.2	35	19.5	35	19.8				
553	7817	53797	51867	50032	48347	46757	45128	43285	41171	39051	37147	35290															
48	16.8	48	17.6	46	18.3	44	18.9	42	19.4	40	19.8	39	20	38	20.2	38	20.4	37	20.7	37	21						

Performance shown is for Installation Type A: free inlet, free outlet. Power rating (BHP) does not include drive losses. Performance ratings do not include the effects of appurtenances in the airstream. The sound ratings shown are loudness values in fan sones at 5 ft. (1.5m) in a hemispherical free field calculated per AMCA Standard 301. Values shown are for Installation Type A: free inlet fan sone levels.

UL 762 Listed for Restaurant Exhaust Appliances

Cook products, with UL 762 listing are designed to eject contaminated or grease-laden air. The products are UL listed to operate continuously at elevated temperatures, and continue operation during grease flare-up.

Products UL Listed to Operate up to 300°F

- VCR/VCR-HP/VCR-XP
- VCRD/VCRD-HP/VCRD-XP
- Lo-Pro (requires diverters)
- CPV/CPA/CPA-A
- QMX/QMX-HP/QMXU/QMXU-HP/QMXLE/QMXLE-HP
- CIC

CPV, CPA, CPA-A, QMX, QMX-HP and CIC must be ordered with drain and access door to comply with UL requirements. Weather covers are required for outdoor applications. When airstream temperatures are expected to exceed 180°F, high temperature accessories may be required.

Loren Cook Products UL Listed to Operate up to 500°F

- CPS/CPS-A
- CA/CA-SWSI Arrangement 1, 9 and 10
- CA-4/CA-4 SWSI Arrangement 1 and 2
- CF/CF Arrangement 1, 9 and 10
- CF-4/CF-4 Arrangement 1 and 2
- QMX/QMX-HP Arrangement 9
- CIC

These Cook products must be ordered with drain and access door to comply with UL requirements. Weather covers are required for outdoor applications.

When airstream temperatures are expected to exceed 180°F, high temperature accessories may be required.

All of the units are intended for installation in accordance with the Standard of the National Fire Protection Association for the installation of Equipment for the Removal of Smoke and Grease-Laden Vapors from Commercial Cooking Equipment, NFPA 96.



VCR / VCR-HP / VCR-XP
VCRD / VCRD-HP / VCRD-XP



Lo-Pro - Shown with diverters



CPS / CPA / CPS-A / CPA-A
Shown with weather cover



CA / CF



CA-4 / CF-4



QMX / QMX-HP



QMXLE / QMXLE-HP



QMXU / QMXU-HP



CIC