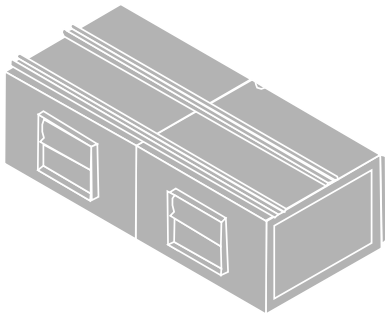
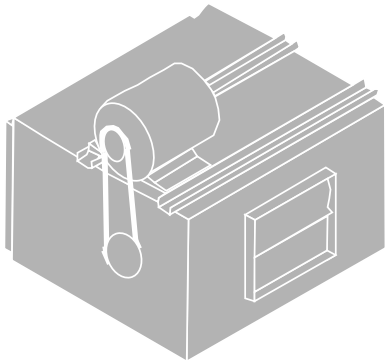
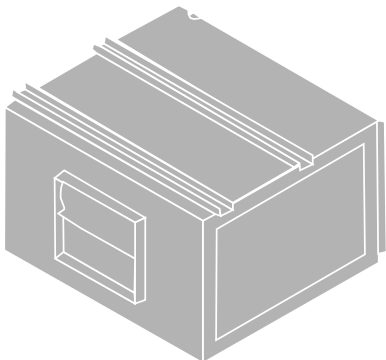


# DB

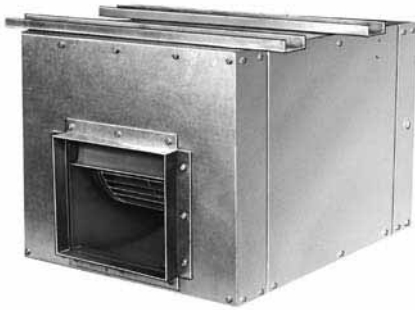
## Duct Blowers/Cabinet Fans



	<b>Page</b>
Introduction . . . . .	2
Construction Features . . . . .	3
<b>Specification and Dimension Data</b>	
DB . . . . .	4
TDB . . . . .	5
DBX . . . . .	6
SDB . . . . .	7
Accessories . . . . .	8-9
<b>Performance Data</b>	
8-18 DB / DBX . . . . .	10-13
100-245 SDB . . . . .	14-19
8-18 TDB . . . . .	20-23
<b>Sound Data</b>	
8-18 DB / DBX . . . . .	24-25
100-245 SDB . . . . .	26-27
Other Available Products . . . . .	28

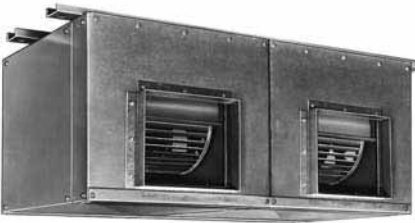
# Introduction

Loren Cook Company's DB product line provides maximum performance and durability in a belt drive duct fan. The product line consists of the DB, TDB, DBX and SDB. These four products provide AMCA certified performance in a wide variety of applications. Key features of each product are summarized below.



## DB

- DB utilizes a single DWDI forward curved blower assembly with the motor located in the air stream.
- DB is licensed to bear the AMCA Certified Ratings Seal for Air and Sound Performance.
- DB capacity ranges from 400 CFM up to 9900 CFM, with static pressures from 0 to 2 inches w.g.



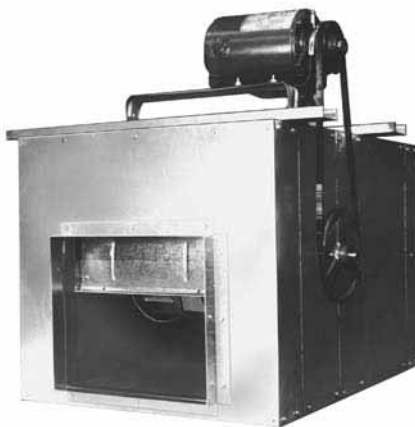
## TDB

- TDB utilizes two DWDI forward curved blower assemblies with a common shaft and a single motor located in the air stream.
- TDB capacity ranges from 800 CFM up to 15,500 CFM, with static pressures from 0 to 2 inches w.g.



## DBX

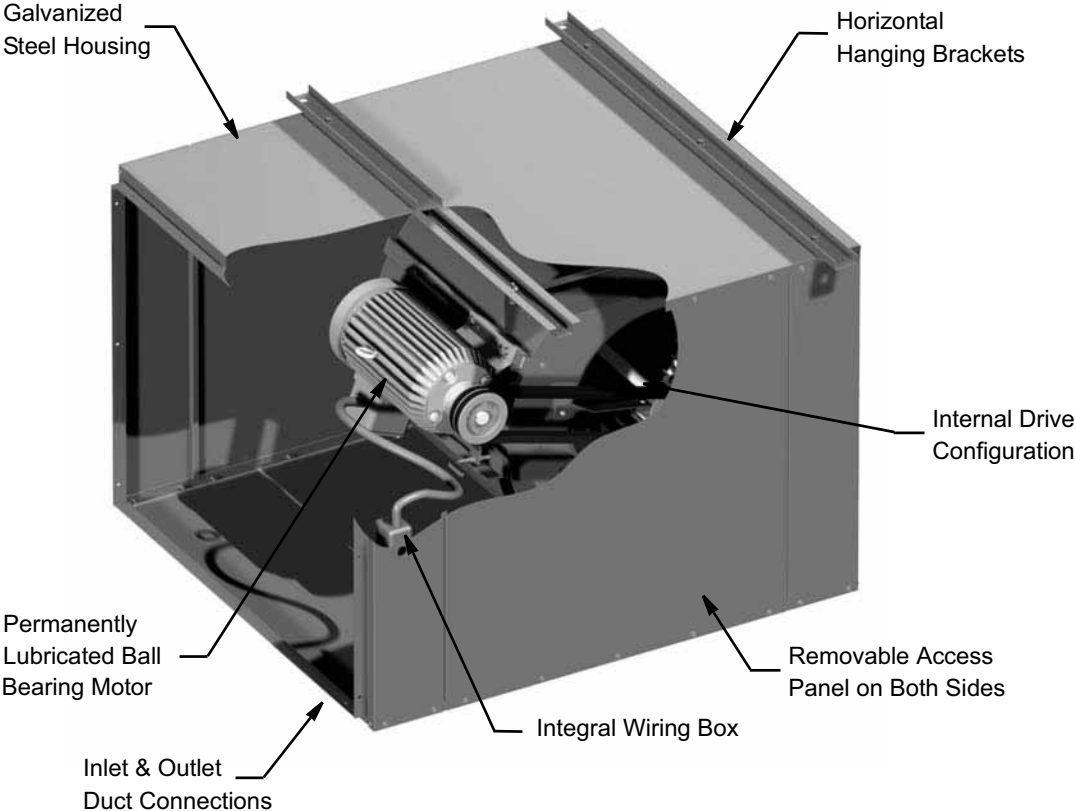
- DBX utilizes a single DWDI forward curved blower assembly with the motor located out of the air stream.
- DBX is licensed to bear the AMCA Certified Ratings Seal for Air and Sound Performance.
- DBX capacity ranges from 400 CFM up to 9,900 CFM, with static pressures from 0 to 2 inches w.g.



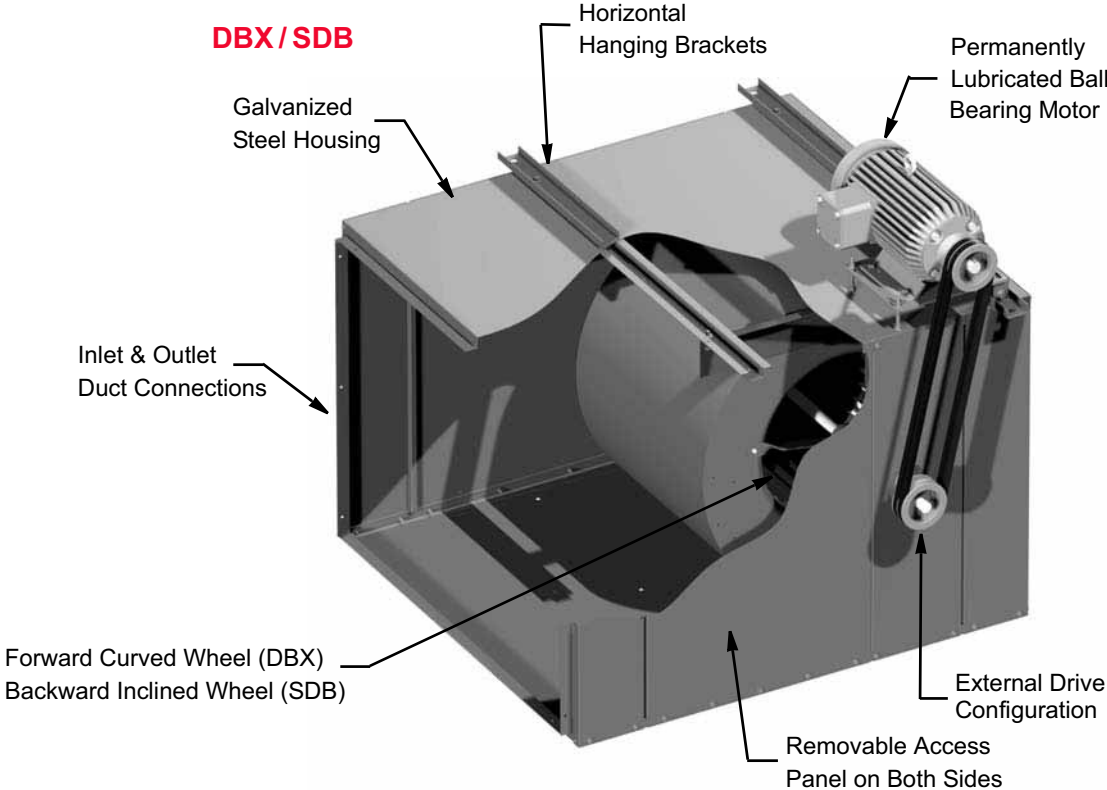
## SDB

- SDB utilizes a single DWDI backward inclined blower assembly with the motor located out of the air stream.
- SDB is licensed to bear the AMCA Certified Ratings Seal for Air and Sound Performance.
- SDB capacity ranges from 600 CFM up to 15,200 CFM, with static pressures from 0 to 3 inches w.g.

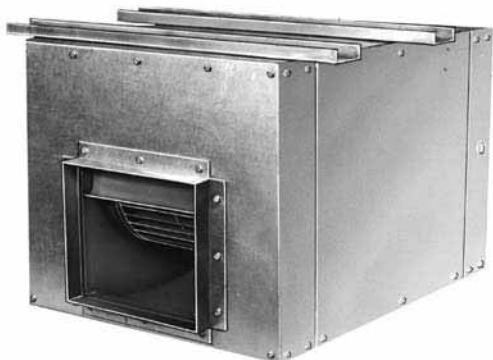
## DB



## DBX/SDB



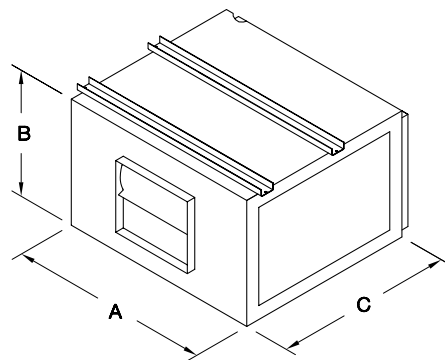
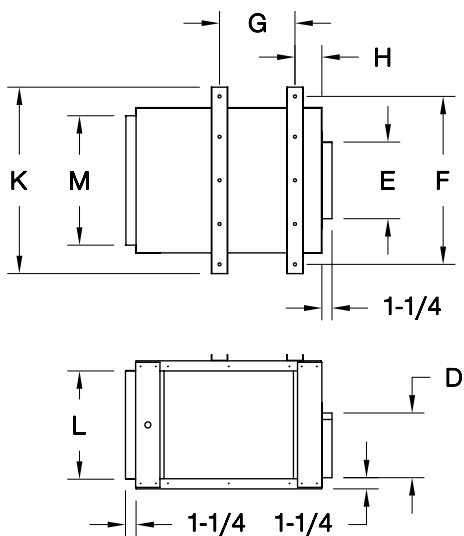
## Forward Curved Wheel Duct Blower



Loren Cook Company certifies that the DB shown herein is licensed to bear the AMCA Seal. The ratings shown are based on tests and procedures performed in accordance with AMCA Publication 211 and AMCA Publication 311 and comply with the requirements of the AMCA Certified Ratings Program.



Type DB is furnished standard with UL 705 and cUL705 listing (Power Ventilator/ZACT) when furnished with a TE motor.



**Description** - Fan shall be duct mounted, belt driven centrifugal cabinet fan.

**Certifications** - Fan shall be manufactured at an ISO 9001 certified facility. Fan shall be listed by Underwriters Laboratories (UL 705) and UL listed for Canada (cUL 705). Fan shall bear the AMCA Certified Ratings Seal for Sound and Air Performance.

**Construction** - The fan shall be of bolted construction utilizing corrosion resistant fasteners. Housing shall be minimum 18 gauge galvanized steel with two access doors and integral duct collars. Internal blower and motor assembly shall be mounted on rubber vibration isolators. Hanging brackets shall be provided for horizontal installation. Unit shall bear an engraved aluminum nameplate. Nameplate shall indicate design CFM, static pressure and maximum fan RPM. Unit shall be shipped in ISTA Certified Transit Tested Packaging.

**Wheel** - Wheel shall be DWDI centrifugal forward curved type, constructed of painted steel. Wheel shall be balanced in accordance with AMCA Standard 204-96, Balance Quality and Vibration Levels for Fans.

**Motor** - Motor shall be heavy duty TEFC type with permanently lubricated sealed ball bearings and furnished at the specified voltage and phase.

**Bearings** - Bearings shall be permanently lubricated, sealed ball type selected for a minimum L50 life in excess of 200,000 hours at maximum cataloged operating speed.

**Belts and Drives** - Belts shall be oil and heat resistant, non-static type. Drives shall be precision machined cast iron type, keyed and securely attached to the wheel and motor shafts. Drives shall be sized for 150% of the installed motor horsepower. The variable pitch motor drive shall be factory set to the specified fan RPM.

**Product** - Fan shall be model DB as manufactured by Loren Cook Company of Springfield, Missouri.

### DB Dimension Data

Size	A	B	C	D O.D.	E O.D.	F	G	H	K	L O.D.	M O.D.	Ship. Wt.
DB-8	18-1/8	15-7/16	23	7-7/8	9-1/4	21	9-5/8	2-5/16	23	13-7/16	16-1/8	53
DB-9	21-1/8	18-1/8	25-3/4	10-5/16	11-7/8	24	11-3/4	2-11/16	26	16-1/8	19-1/8	70
DB-10	22-3/8	20-1/8	28-1/4	11-3/8	13-1/8	26	13-3/8	2-11/16	28	18-1/8	20-3/8	80
DB-13	27-1/8	23-3/16	31-1/4	13-7/16	15-5/8	30	16-1/8	2-11/16	32	21-3/16	25-1/8	108
DB-15	32-1/2	26-15/16	36-1/4	15-7/8	18-5/8	36	19-1/2	2-11/16	38	24-15/16	30-1/2	205
DB-18	41	31-7/8	44-3/4	18-7/8	21-7/8	44	24	2-7/8	46	29-7/8	39	400

All dimensions in inches. Weights in pounds.

**Description** - Fan shall be duct mounted, belt driven, dual fan, single motor centrifugal cabinet fan.

**Certifications** - Fan shall be manufactured at an ISO 9001 certified facility. Fan shall be listed by Underwriters Laboratories (UL 705) and UL listed for Canada (cUL 705).

**Construction** - The fan shall be of bolted construction utilizing corrosion resistant fasteners. Housing shall be minimum 18 gauge galvanized steel with two access doors and integral duct collars. Internal blower and motor assembly shall be mounted on rubber vibration isolators. Hanging brackets shall be provided for horizontal installation. Unit shall bear an engraved aluminum nameplate. Nameplate shall indicate design CFM, static pressure and maximum fan RPM. Unit shall be shipped in ISTA Certified Transit Tested Packaging.

**Wheel** - Wheels shall be DWDI centrifugal forward curved type, constructed of plated steel. Wheels shall be balanced in accordance with AMCA Standard 204-96, Balance Quality and Vibration Levels for Fans.

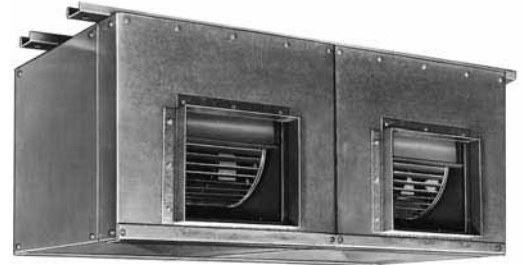
**Motor** - Motor shall be heavy duty TEFC type with permanently lubricated sealed ball bearings and furnished at the specified voltage and phase.

**Bearings** - Bearings shall be permanently lubricated, sealed ball type selected for a minimum L50 life in excess of 200,000 hours at maximum cataloged operating speed.

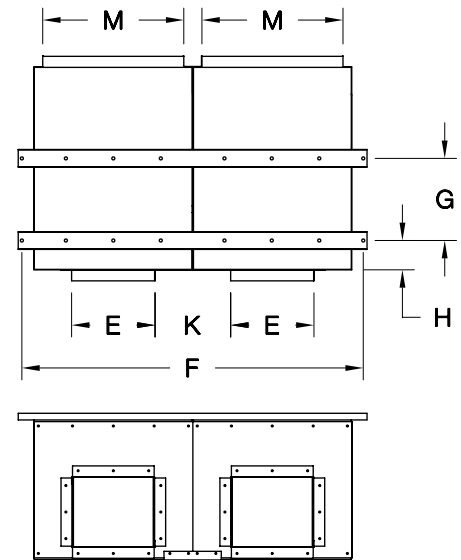
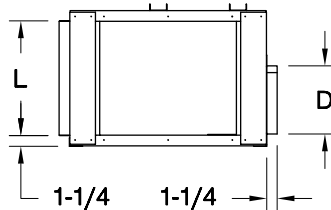
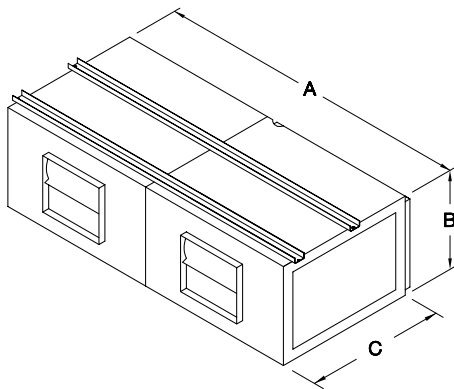
**Belts and Drives** - Belts shall be oil and heat resistant, nonstatic type. Drives shall be precision machined cast iron type, keyed and securely attached to the wheel and motor shafts. Drives shall be sized for 150% of the installed motor horsepower. The variable pitch motor drive shall be factory set to the specified fan RPM.

**Product** - Fan shall be model TDB as manufactured by Loren Cook Company of Springfield, Missouri.

## Forward Curved Wheel Twin Duct Blower



Type TDB is furnished standard with UL 705 and cUL705 listing (Power Ventilator/ZACT) when furnished with a TE motor.

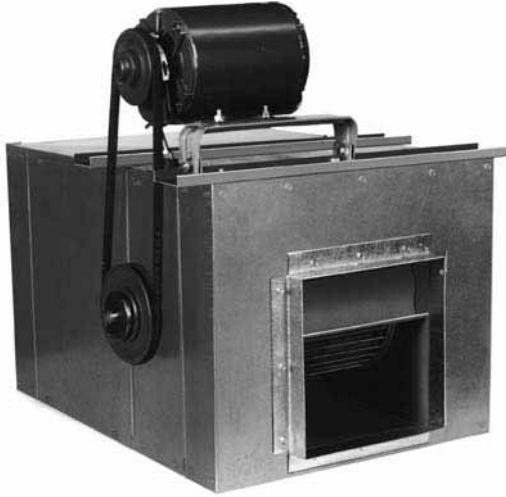


### TDB Dimension Data

Size	A	B	C	D O.D.	E O.D.	F	G	H	K	L O.D.	M O.D.	Max. H.P.	Ship. Weight
TDB-8	36-5/8	15-7/16	23	7-7/8	9-1/4	38	9-5/8	3-5/16	9-1/4	13-7/16	16-1/8	1	135
TDB-9	42-5/8	18-1/8	25-3/4	10-5/16	11-7/8	44	11-3/4	3-11/16	9-5/8	16-1/8	19-1/8	2	175
TDB-10	45-1/8	20-1/8	28-1/4	11-3/8	13-1/8	46-1/2	13-3/8	3-11/16	9-5/8	18-1/8	20-3/8	2	225
TDB-13	54-5/8	23-3/16	31-1/4	13-7/16	15-5/8	56	16-1/8	3-11/16	11-7/8	21-3/16	25-1/8	3	350
TDB-15	65-3/8	26-15/16	36-1/4	15-7/8	18-5/8	66-3/4	19-1/2	3-11/16	14-1/4	24-15/16	30-1/2	5	425
TDB-18	82-3/8	31-7/8	44-3/4	18-7/8	21-7/8	83-3/4	24	3-7/8	19-1/2	29-7/8	39	7-1/2	750

All dimensions in inches. Weights in pounds.

## Forward Curved Wheel External Belt Drive Duct Blower



Loren Cook Company certifies that the DBX shown herein is licensed to bear the AMCA Seal. The ratings shown are based on tests and procedures performed in accordance with AMCA Publication 211 and AMCA Publication 311 and comply with the requirements of the AMCA Certified Ratings Program.



Type DBX is furnished standard with UL 705 and cUL705 listing (Power Ventilator/ZACT) when furnished with factory supplied motor.

**Description** - Fan shall be duct mounted, belt driven centrifugal cabinet fan with external motor mount.

**Certifications** - Fan shall be manufactured at an ISO 9001 certified facility. Fan shall be listed by Underwriters Laboratories (UL 705) and UL listed for Canada (cUL 705). Fan shall bear the AMCA Certified Ratings Seal for Sound and Air Performance.

**Construction** - The fan shall be of bolted construction utilizing corrosion resistant fasteners. Housing shall be minimum 18 gauge galvanized steel with two access doors and integral duct collars. Internal blower assembly shall be mounted on rubber vibration isolators. Motor shall be out of the air stream. Hanging brackets shall be provided for horizontal installation. Unit shall bear an engraved aluminum nameplate. Nameplate shall indicate design CFM, static pressure and maximum fan RPM. Unit shall be shipped in ISTA Certified Transit Tested Packaging.

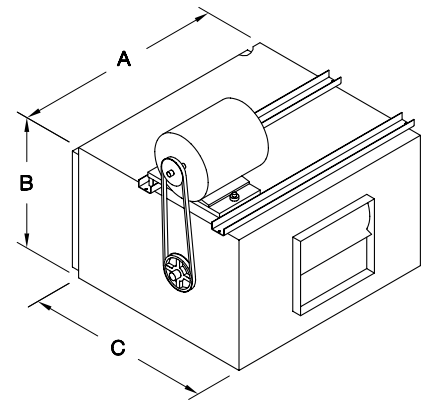
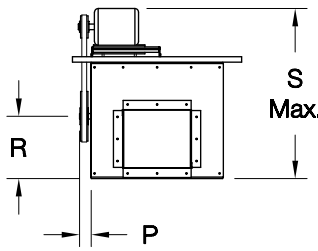
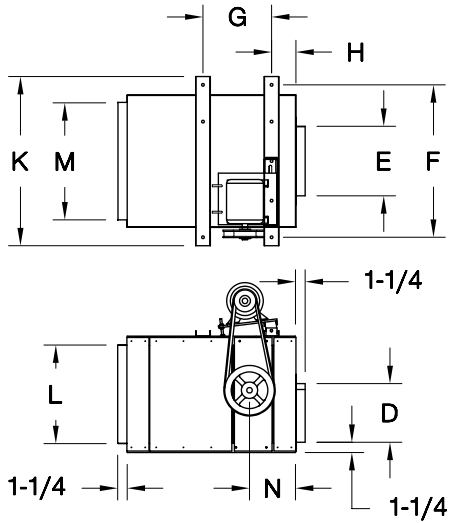
**Wheel** - Wheel shall be DWDI centrifugal forward curved type, constructed of plated steel. Wheel shall be balanced in accordance with AMCA Standard 204-96, Balance Quality and Vibration Levels for Fans.

**Motor** - Motor shall be heavy duty type with permanently lubricated sealed ball bearings and furnished at the specified voltage and phase.

**Bearings** - Bearings shall be permanently lubricated, sealed ball type selected for a minimum L50 life in excess of 200,000 hours at maximum cataloged operating speed.

**Belts and Drives** - Belts shall be oil and heat resistant, nonstatic type. Drives shall be precision machined cast iron type, keyed and securely attached to the wheel and motor shafts. Drives shall be sized for 150% of the installed motor horsepower. The variable pitch motor drive shall be factory set to the specified fan RPM.

**Product** - Fan shall be model DBX as manufactured by Loren Cook Company of Springfield, Missouri.



### DBX Dimension Data

Size	A	B	C	D O.D.	E O.D.	F	G	H	K	L O.D.	M O.D.	N	P	R	S	Ship. Weight
DBX-8	18-1/8	15-7/16	23	7-7/8	9-1/4	21	9-5/8	2-5/16	23	13-7/16	16-1/8	6-3/8	2-3/8	8-1/4	24-9/16	53
DBX-9	21-1/8	18-1/8	25-3/4	10-5/16	11-7/8	24	11-3/4	2-11/16	26	16-1/8	19-1/8	7-3/16	2-3/8	9-7/8	27-1/4	70
DBX-10	22-3/8	20-1/8	28-1/4	11-3/8	13-1/8	26	13-3/8	2-11/16	28	18-1/8	20-3/8	7-15/16	4	10-7/8	30-1/16	80
DBX-13	27-1/8	23-3/16	31-1/4	13-7/16	15-5/8	30	16-1/8	2-11/16	32	21-3/16	25-1/8	9-1/8	4	12-23/32	35-9/16	108
DBX-15	32-1/2	26-15/16	36-1/4	15-7/8	18-5/8	36	19-1/2	2-11/16	38	24-15/16	30-1/2	10-1/2	4	14-27/32	39-5/16	205
DBX-18	41	31-7/8	44-3/4	18-7/8	21-7/8	44	24	2-7/8	46	29-7/8	39	12-3/8	4	17-9/16	44-1/4	400

All dimensions in inches.



**Description** - Fan shall be duct mounted, belt driven centrifugal cabinet fan with external motor mount.

**Certifications** - Fan shall be manufactured at an ISO 9001 certified facility. Fan shall be listed by Underwriters Laboratories (UL 705) and UL listed for Canada (cUL 705). Fan shall bear the AMCA Certified Ratings Seal for Sound and Air Performance.

**Construction** - The fan shall be of bolted construction utilizing corrosion resistant fasteners. Housing shall be minimum 18 gauge galvanized steel with two access doors and integral duct collars. Internal blower assembly shall be mounted on rubber vibration isolators. Motor shall be out of the airstream. Hanging brackets shall be provided for horizontal installation. Unit shall bear an engraved aluminum nameplate. Nameplate shall indicate design CFM, static pressure and maximum fan RPM. Unit shall be shipped in ISTA Certified Transit Tested Packaging.

**Wheel** - Wheel shall be DWDI centrifugal backward inclined, constructed of 100% aluminum, including a precision machined cast aluminum hub. Wheel inlet shall overlap an aerodynamic aluminum inlet cone to provide maximum performance and efficiency. Wheel shall be balanced in accordance with AMCA Standard 204-96, Balance Quality and Vibration Levels for Fans.

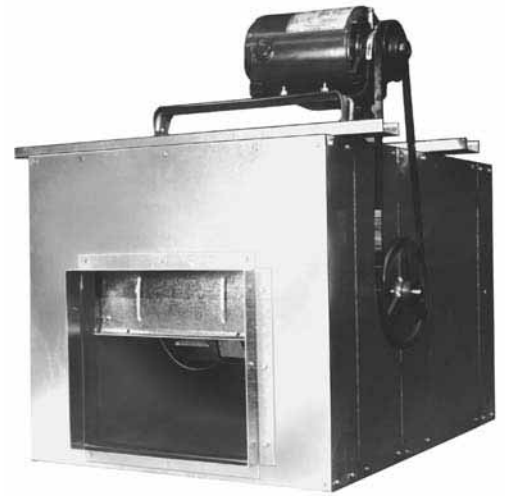
**Motor** - Motor shall be heavy duty type with permanently lubricated sealed ball bearings and furnished at the specified voltage and phase.

**Bearings** - Bearings shall be designed and individually tested specifically for use in air handling applications. Construction shall be heavy duty regreasable ball type in a cast iron housing selected for a minimum L50 life in excess of 200,000 hours at maximum cataloged operating speed.

**Belts and Drives** - Belts shall be oil and heat resistant, nonstatic type. Drives shall be precision machined cast iron type, keyed and securely attached to the wheel and motor shafts. Drives shall be sized for 150% of the installed motor horsepower. The variable pitch motor drive shall be factory set to the specified fan RPM.

**Product** - Fan shall be model SDB as manufactured by Loren Cook Company of Springfield, Missouri.

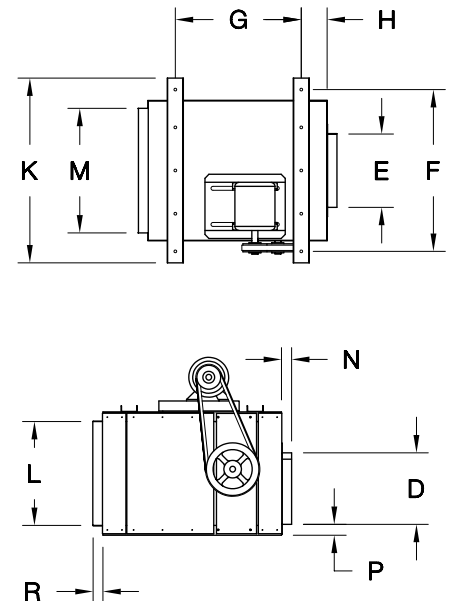
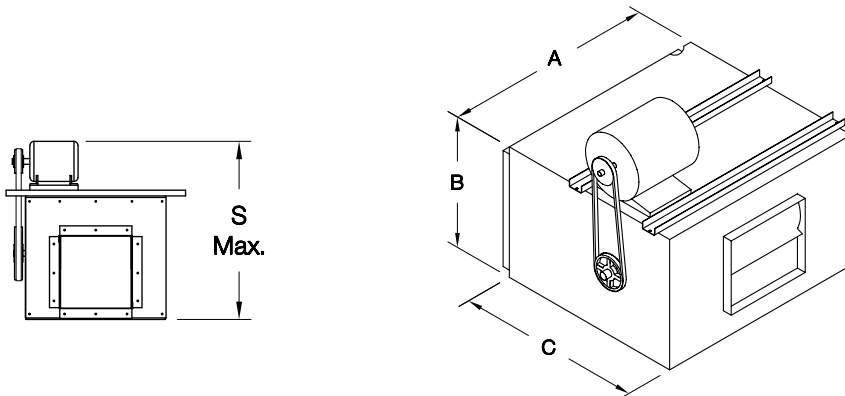
## Backward Inclined Wheel Single Duct Blower



Loren Cook Company certifies that the SDB shown herein is licensed to bear the AMCA Seal. The ratings shown are based on tests and procedures performed in accordance with AMCA Publication 211 and AMCA Publication 311 and comply with the requirements of the AMCA Certified Ratings Program.



Type SDB is furnished standard with UL 705 and cUL705 listing (Power Ventilator/ZACT) when furnished with factory supplied motor.



**SDB Dimension Data**

Size	A	B	C	D O.D.	E O.D.	F	G	H	K	L O.D.	M O.D.	N	P	R	S	T	U	V	Max. HP	Ship Wt.
100	22-3/8	20-1/8	28-1/4	11-3/8	13-1/8	26	13-3/8	2-11/16	28	18-1/8	20-3/8	7-15/16	4	10-7/8	30-1/16	1-1/4	1-1/4	1-1/4	1	80
120	22-3/8	20-1/8	28-1/4	11-3/8	13-1/8	26	13-3/8	2-11/16	28	18-1/8	20-3/8	7-15/16	4	10-7/8	32-1/2	1-1/4	1-1/4	1-1/4	1-1/2	80
135	27-1/8	23-3/16	31-1/4	13-7/16	15-5/8	30	16-1/8	2-11/16	32	21-3/16	25-1/8	9-1/8	4	12-23/32	35-9/16	1-1/4	1-1/4	1-1/4	2	108
150	32-1/2	26-15/16	36-1/4	15-7/8	18-5/8	36	19-1/2	2-11/16	38	24-15/16	30-1/2	10-1/2	4	14-27/32	39-5/16	1-1/4	1-1/4	1-1/4	3	205
180	41	31-7/8	44-3/4	18-7/8	21-7/8	44	24	2-7/8	46	29-7/8	39	12-3/8	4	17-9/16	44-1/4	1-1/4	1-1/4	1-1/4	5	400
210	49	40-1/4	44-1/2	24-3/4	24-3/4	50	29-3/8	2-5/8	52	36-1/4	45	13	5-1/4	22-5/8	52-1/4	1-3/8	2-1/8	1-1/2	5	600
245	53	43-3/4	51-1/16	27-1/4	27-1/4	54	29-1/8	2-5/8	56	39-3/4	49	14-15/16	5-3/4	24-11/16	57-3/8	1-3/8	2-1/8	1-1/2	7-1/2	800

All dimensions in inches. Weights in pounds.

# Accessories

## Disconnect Switches

**NEMA 1 (Lockable)** - Indoor, general purpose with lockable switch.

**NEMA 1** - Indoor, general purpose.

**NEMA 3R** - Exterior mount, weather resistant.

**NEMA 4** - Water tight, dust tight.

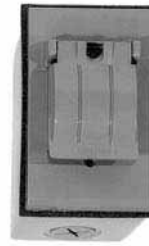
**NEMA 1 (Heavy Duty)** - Indoor heavy duty.



**NEMA 1 (Lockable)**



**NEMA 1**



**NEMA 3R**

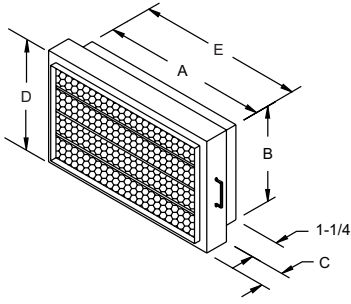


**NEMA 4**



**NEMA 1 (Heavy Duty)**

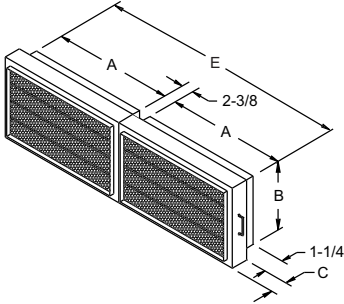
## DB, DBX, SDB Filter



Filter Unit	A	B	C	D	E	Filter Area Sq. In.	Filter Drawer Weight
F-8	15-7/8	13-3/16	6	15-7/16	18-1/8	532	15
F-9	18-7/8	15-7/8	6	18-1/8	21-1/8	664	17
F-10	20-1/8	17-7/8	6	20-1/8	22-3/8	726	18
F-13	24-7/8	20-15/16	9	23-3/16	27-1/8	1337	35
F-15	30-1/4	24-11/16	11	26-15/16	32-1/2	1999	47
F-18	38-3/4	29-5/8	12	31-7/8	41	3056	61

All dimensions in inches. Weights in pounds. The filter comes complete with a ductwork housing and a removable filter drawer with handle.

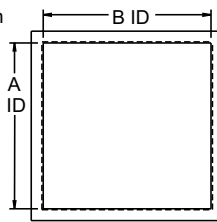
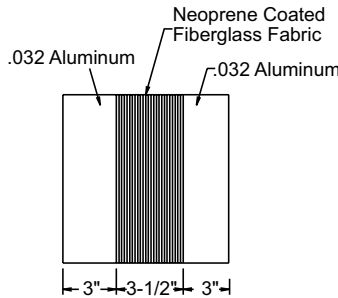
## TDB Filter



Filter Unit	A	B	C	D	E	Filter Size Sq. In.	Filter Weight
F-9	18-7/8	15-7/8	6	18-1/8	42-5/8	1328	34
F-10	20-1/8	17-7/8	6	20-1/8	45-1/8	1452	36
F-13	24-7/8	20-15/16	9	23-3/16	54-5/8	2674	70
F-15	30-1/4	24-11/16	11	26-15/16	65-3/8	3998	94
F-18	38-3/4	29-5/8	12	31-7/8	82-3/8	6112	122

All dimensions in inches. Weights in pounds.

## Flexible Duct Connector

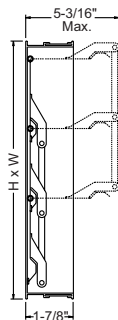


Size	INLET		OUTLET	
	Dim A	Dim B	Dim A	Dim B
8	13-5/8	16-5/16	8-1/16	9-7/16
9	16-5/16	19-5/16	10-1/2	12-1/16
10	18-5/16	20-9/16	11-9/16	13-5/16
13	21-3/8	25-5/16	13-5/8	15-13/16
15	25-1/8	30-11/16	16-1/16	18-3/16
18	30-1/16	39-3/16	19-1/16	22-1/16

All dimensions in inches.

Flex Duct Connectors are available for the inlet or outlet of the DB. These connectors provide a flexible connection between the fan and the attached ductwork. This reduces the transmission of noise and vibration to the ductwork as well as allowing for slight misalignment and easy removal of the fan without disturbing the rigid ductwork. Flex Duct Connectors consist of reinforced neoprene fabric and aluminum bands.

## Automatic Backdraft Damper



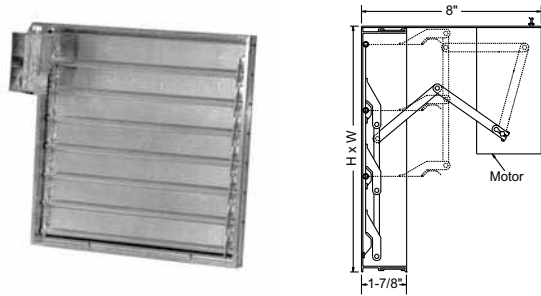
Automatic Backdraft Dampers feature an extruded aluminum frame, aluminum blades and aluminum hinge pins with brass bushings. These dampers are shipped loose for field installation.

Size	H x W
8	7-7/8 x 9-1/4
9	10-5/16 x 11-7/8
10	11-3/8 x 13-1/8
13	13-7/16 x 15-5/8
15	15-7/8 x 18-5/8
18	18-7/8 x 21-7/8

All dimensions in inches.



## Motorized Backdraft Damper

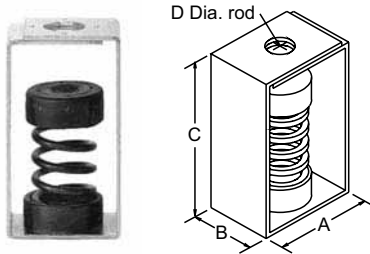


Motorized Backdraft Dampers feature an extruded aluminum frame, aluminum blades and aluminum hinge pins with brass bushings. These dampers are shipped loose for field installation.

Size	H x W
8	7-7/8 x 9-1/4
9	10-5/16 x 11-7/8
10	11-3/8 x 13-1/8
13	13-7/16 x 15-5/8
15	15-7/8 x 18-5/8
18	18-7/8 x 21-7/8

All dimensions in inches.

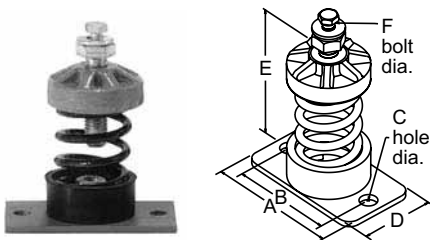
## Spring Isolator - Ceiling Mounted



Unit	Rated Load (lbs.)	Spring Rate (lbs./in.)	A	B	C	D	Approx. Ship Wt. Lbs.
SC-35	35	23	3-11/16	2-1/4	5-1/4	1/2	2
SC-70	70	51	3-11/16	2-1/4	5-1/4	1/2	2
SC-125	125	100	3-11/16	2-1/4	5-1/4	1/2	2
SC-245	245	206	3-11/16	2-1/4	5-1/4	1/2	2

All dimensions in inches.

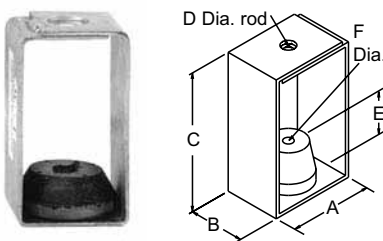
## Free Standing Spring Isolator - Floor Mounted



Unit	Rated Load (lbs.)	Spring Rate (lbs./in.)	A	B	C	D	E	F	Approx. Ship Wt. Lbs.
SF-70	70	51	2-5/8	**	11/16	2-5/8	3-1/2	3/8	2
SF-120	120	98	4-1/2	3-1/2	9/16	2-1/2	3-1/2	3/8	2
SF-220	220	196	4-1/2	3-1/2	9/16	2-1/2	3-1/2	3/8	2

All dimensions in inches. Isolators listed are designed to provide a minimum of 50 percent of overload capacity. A single hole is provided at the center of the plate.

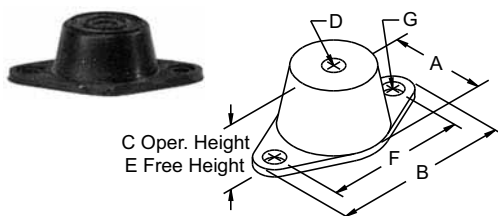
## Rubber-in-Shear Isolator - Ceiling Mounted



Unit	Rated Load (lbs.)	A	B	C	D	E	F	Approx. Ship Wt. Lbs.
RC-75	75	2-5/32	1-1/2	2-23/32	11/16	15/32	3/8	1
RC-125	125	2-5/32	1-1/2	2-23/32	11/16	15/32	3/8	1
RC-175	175	3-5/32	2-1/4	5-11/16	3/4	1-31/64	3/4	2
RC-300	300	3-5/32	2-1/4	5-11/16	3/4	1-31/64	3/4	2

All dimensions in inches.

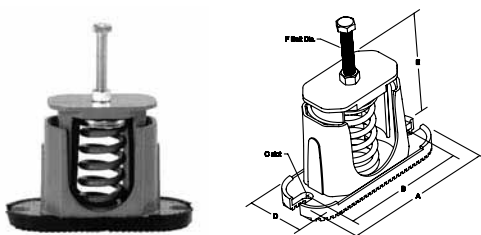
## Rubber-in-Shear Isolator - Floor Mounted



Unit	Rated Load (lbs.)	A	B	C	D	E	F	G	Approx. Ship Wt. Lbs.
RF-55	55	1-13/16	3-3/16	1-7/64	5/16 NC	1-1/2	2-3/8	11/32	1
RF-120	120	2-3/8	3-7/8	1-1/4	3/8 NC	1-3/4	3	11/32	1
RF-220	220	2-3/8	3-7/8	1-1/4	3/8 NC	1-3/4	3	11/32	1

All dimensions in inches.

## Housed Spring Isolator - Floor Mounted



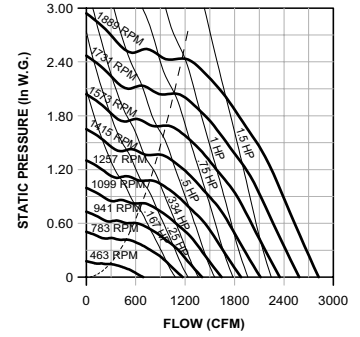
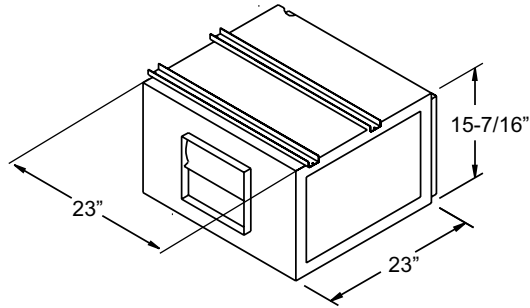
Unit	Rated Load (lbs.)	Spring Rate (lbs./in.)	A	B	C	D	E	F	Approx. Ship Wt. Lbs.
HF-120	120	98	6-1/8	5-5/8	5/16	2-1/8	3-1/2	3/8	2
HF-220	220	196	6-1/8	5-5/8	5/16	2-1/8	3-1/2	3/8	2

All dimensions in inches. Isolators listed are designed to provide a minimum of 50 percent of overload capacity.

# 8-10 DB/DBX Data

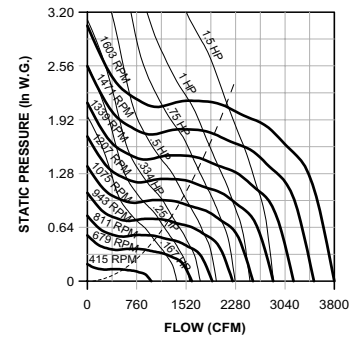
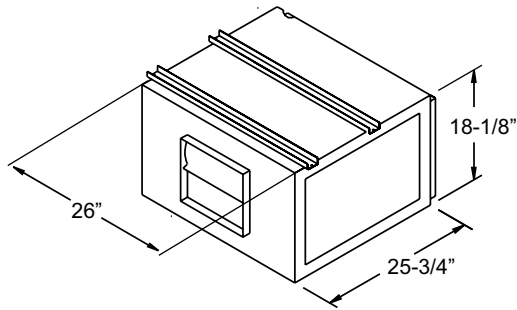
## 8 DB/DBX

- Wheel Type - Forward Curved
- Maximum BHP - .441 (RPM/1000)<sup>3</sup>
- Outlet Area - 0.502 Sq. Ft.
- Max Motor Frame - 145T
- Maximum RPM - 1889
- Outlet Velocity - CFM/0.502 fpm



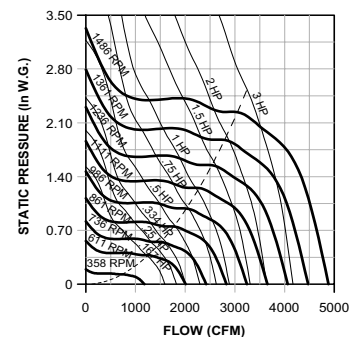
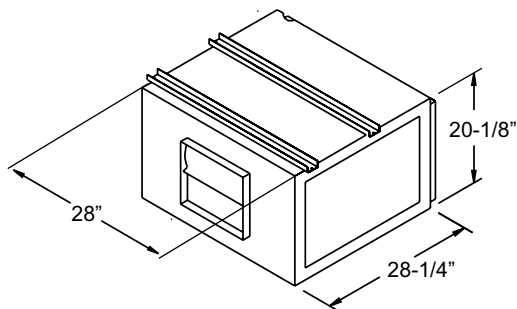
## 9 DB/DBX

- Wheel Type - Forward Curved
- Maximum BHP - .678 (RPM/1000)<sup>3</sup>
- Outlet Area - 0.840 Sq. Ft.
- Max Motor Frame - 145T
- Maximum RPM - 1603
- Outlet Velocity - CFM/0.840 fpm



## 10 DB/DBX

- Wheel Type - Forward Curved
- Maximum BHP - 1.24 (RPM/1000)<sup>3</sup>
- Outlet Area - 1.038 Sq. Ft.
- Max Motor Frame - 145T
- Maximum RPM - 1486
- Outlet Velocity - CFM/1.038 fpm

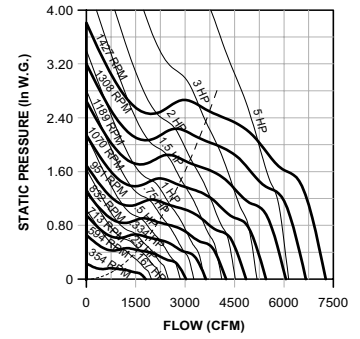
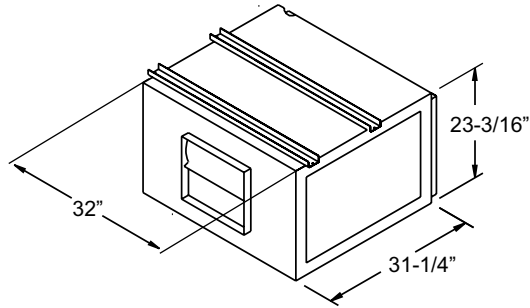




# 13-18 DB/DBX Data

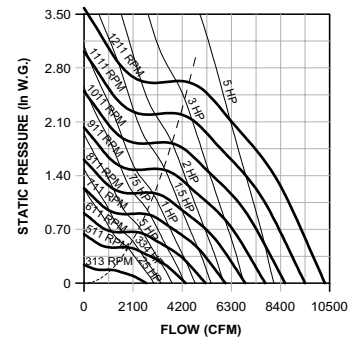
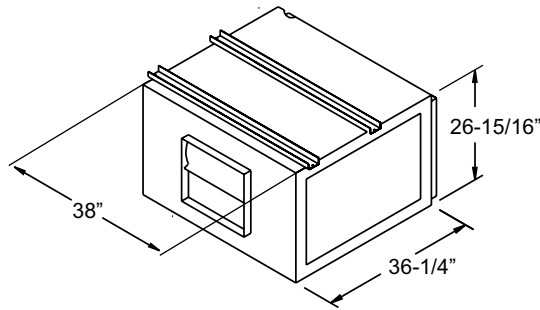
## 13 DB/DBX

- Wheel Type - Forward Curved
- Maximum BHP - 2.88 (RPM/1000)<sup>3</sup>
- Outlet Area - 1.440 Sq. Ft.
- Max Motor Frame - 145T
- Maximum RPM - 1427
- Outlet Velocity - CFM/1.440 fpm



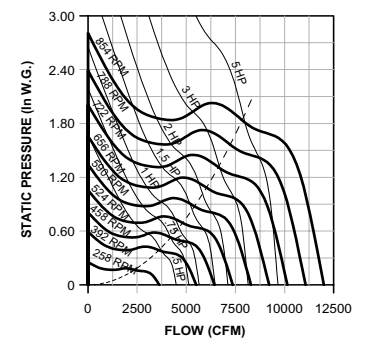
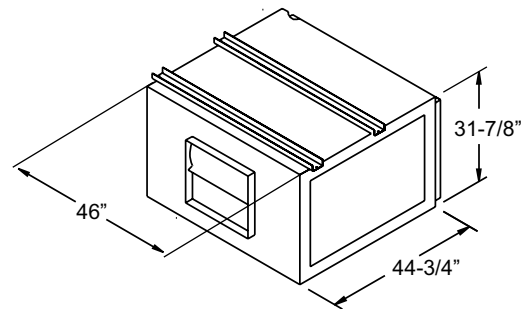
## 15 DB/DBX

- Wheel Type - Forward Curved
- Maximum BHP - 5.74 (RPM/1000)<sup>3</sup>
- Outlet Area - 2.053 Sq. Ft.
- Max Motor Frame - 145T
- Maximum RPM - 1211
- Outlet Velocity - CFM/2.053 fpm



## 18 DB/DBX

- Wheel Type - Forward Curved
- Maximum BHP - 15.34 (RPM/1000)<sup>3</sup>
- Outlet Area - 2.933 Sq. Ft.
- Max Motor Frame - 184T
- Maximum RPM - 854
- Outlet Velocity - CFM/2.933 fpm

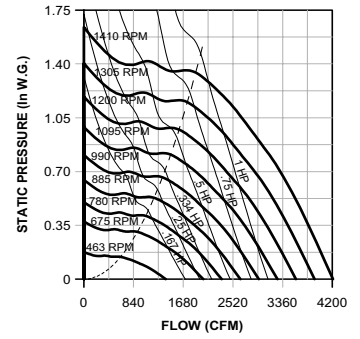
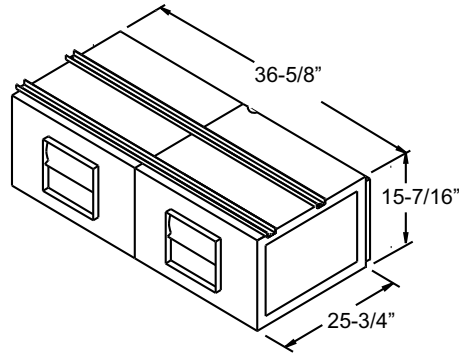




# 8-10 TDB Data

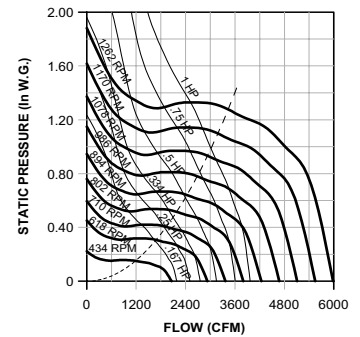
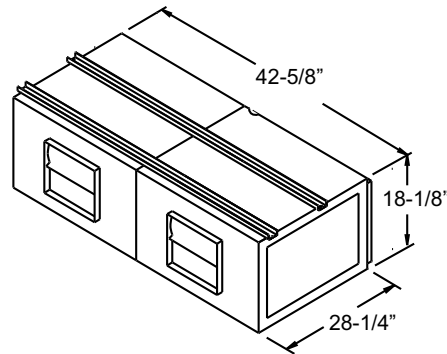
## 8 TDB

- Wheel Type - Forward Curved
- Maximum BHP - 0.883 (RPM/1000)<sup>3</sup>
- Outlet Area - 1.004 Sq. Ft.
- Max Motor Frame - 145T
- Maximum RPM - 1410
- Outlet Velocity - CFM/1.004 fpm



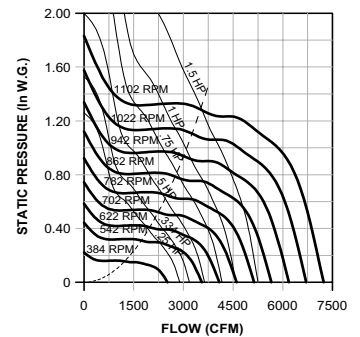
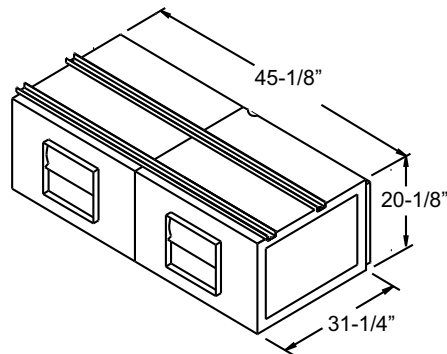
## 9 TDB

- Wheel Type - Forward Curved
- Maximum BHP - 1.35 (RPM/1000)<sup>3</sup>
- Outlet Area - 1.680 Sq. Ft.
- Max Motor Frame - 145T
- Maximum RPM - 1262
- Outlet Velocity - CFM/1.680 fpm



## 10 TDB

- Wheel Type - Forward Curved
- Maximum BHP - 2.49 (RPM/1000)<sup>3</sup>
- Outlet Area - 2.074 Sq. Ft.
- Max Motor Frame - 145T
- Maximum RPM - 1102
- Outlet Velocity - CFM/2.074 fpm



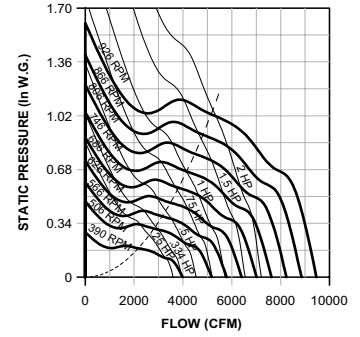
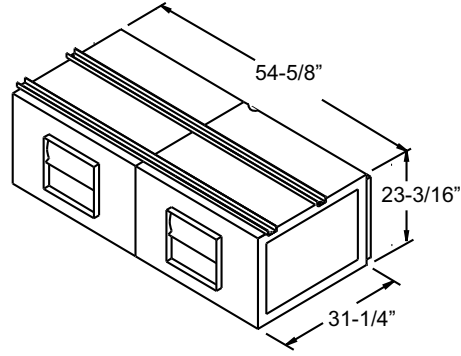




# 13-18 TDB Data

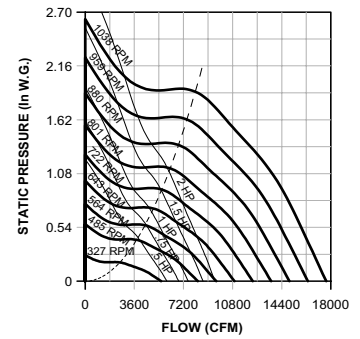
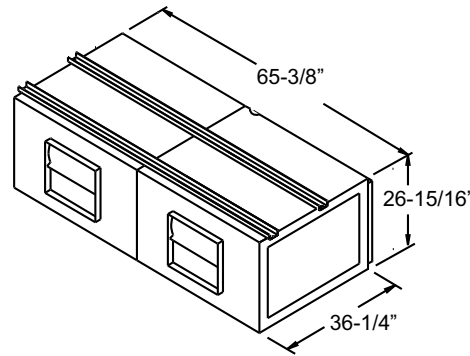
## 13 TDB

- Wheel Type** - Forward Curved
- Maximum BHP** - 5.77 (RPM/1000)<sup>3</sup>
- Outlet Area** - 2.880 Sq. Ft.
- Max Motor Frame** - 145T
- Maximum RPM** - 926
- Outlet Velocity** - CFM/2.880 fpm



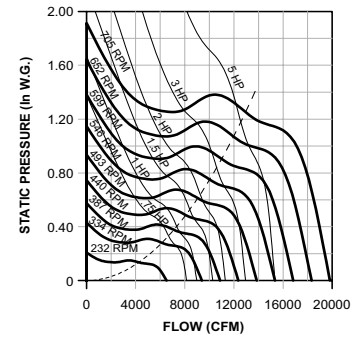
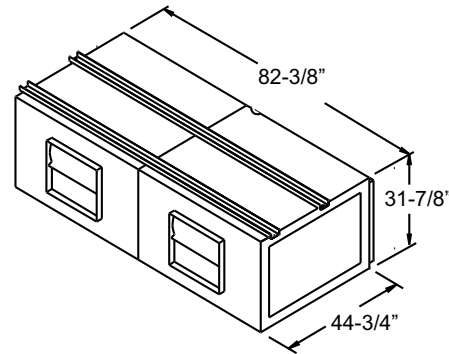
## 15 TDB

- Wheel Type** - Forward Curved
- Maximum BHP** - 11.46 (RPM/1000)<sup>3</sup>
- Outlet Area** - 4.106 Sq. Ft.
- Max Motor Frame** - 184T
- Maximum RPM** - 1038
- Outlet Velocity** - CFM/4.106 fpm



## 18 TDB

- Wheel Type** - Forward Curved
- Maximum BHP** - 30.7 (RPM/1000)<sup>3</sup>
- Outlet Area** - 5.864 Sq. Ft.
- Max Motor Frame** - 184T
- Maximum RPM** - 705
- Outlet Velocity** - CFM/5.864 fpm

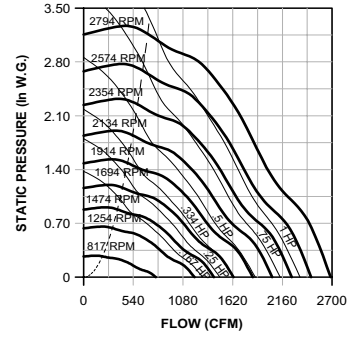
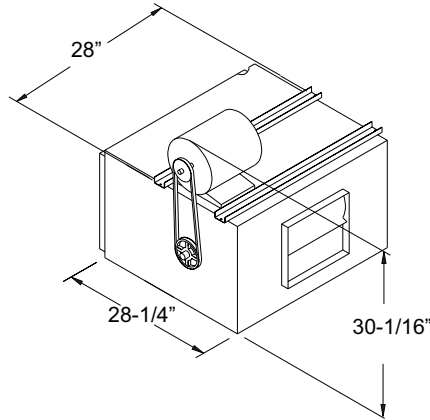




# 100-135 SDB Data

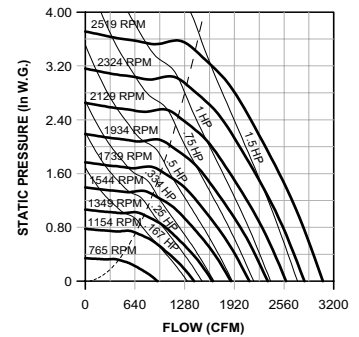
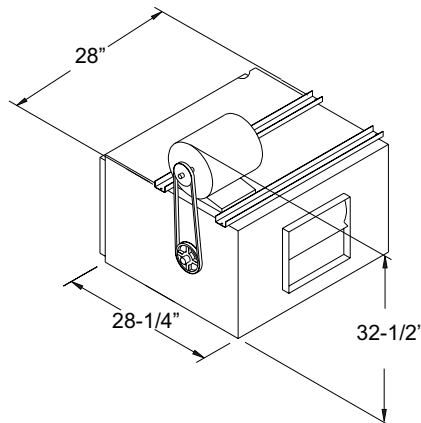
## 100 SDB

**Wheel Type** - Backward Inclined  
**Maximum BHP** - .069 (RPM/1000)<sup>3</sup>  
**Outlet Area** - 1.037 sq. ft.  
**Max Motor Frame** - 145T  
**Maximum RPM** - 2794  
**Outlet Velocity** - CFM/1.037 fpm



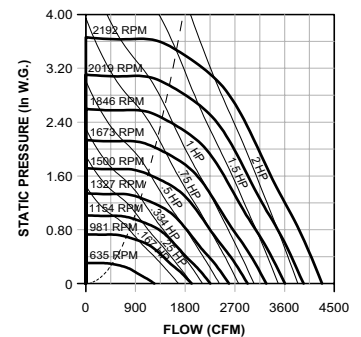
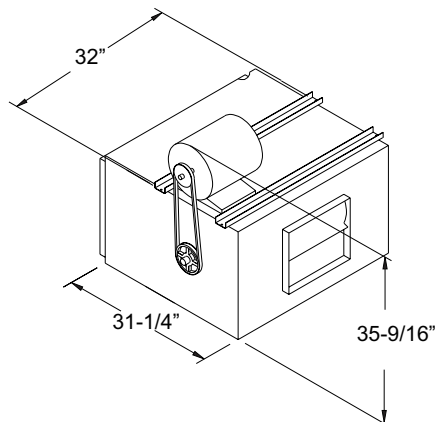
## 120 SDB

**Wheel Type** - Backward Inclined  
**Maximum BHP** - .132 (RPM/1000)<sup>3</sup>  
**Outlet Area** - 1.137 sq. ft.  
**Max Motor Frame** - 145T  
**Maximum RPM** - 2519  
**Outlet Velocity** - CFM/1.137 fpm



## 135 SDB

**Wheel Type** - Backward Inclined  
**Maximum BHP** - .211 (RPM/1000)<sup>3</sup>  
**Outlet Area** - 1.440 sq. ft.  
**Max Motor Frame** - 145T  
**Maximum RPM** - 2192  
**Outlet Velocity** - CFM/1.440 fpm

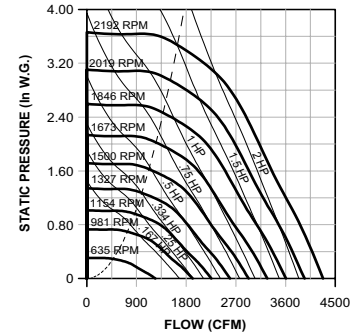
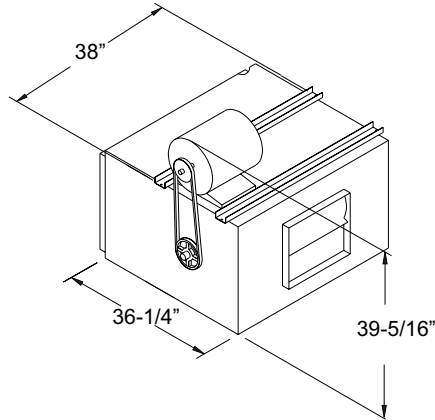




# 150-210 SDB Data

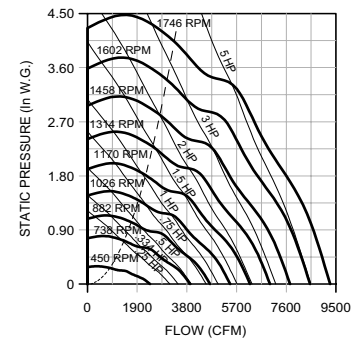
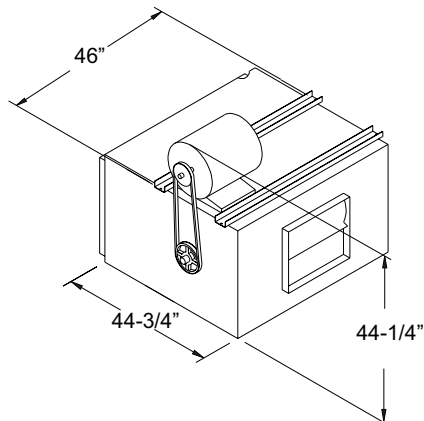
## 150 SDB

- Wheel Type - Backward Inclined
- Maximum BHP - .407 (RPM/1000)<sup>3</sup>
- Outlet Area - 2.01 sq. ft.
- Max Motor Frame - 184T
- Maximum RPM - 2037
- Outlet Velocity - CFM/2.01 fpm



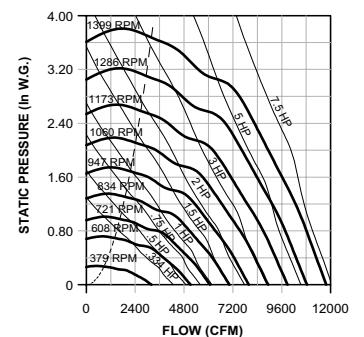
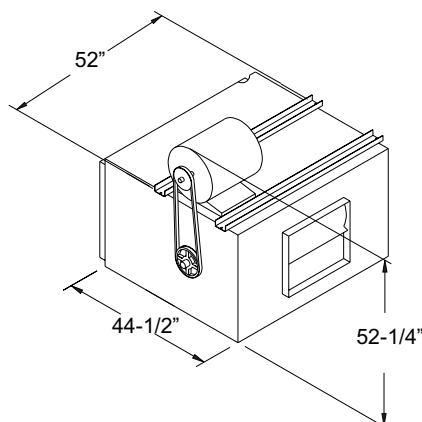
## 180 SDB

- Wheel Type - Backward Inclined
- Maximum BHP - 1.37 (RPM/1000)<sup>3</sup>
- Outlet Area - 2.81 sq. ft.
- Max Motor Frame - 184T
- Maximum RPM - 1746
- Outlet Velocity - CFM/2.81 fpm



## 210 SDB

- Wheel Type - Backward Inclined
- Maximum BHP - 2.56 (RPM/1000)<sup>3</sup>
- Outlet Area - 4.19 sq. ft.
- Max Motor Frame - 215T
- Maximum RPM - 1399
- Outlet Velocity - CFM/4.19 fpm







# 245 SDB Data

## 245 SDB

**Wheel Type** - Backward Inclined

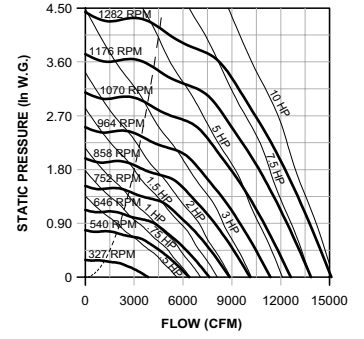
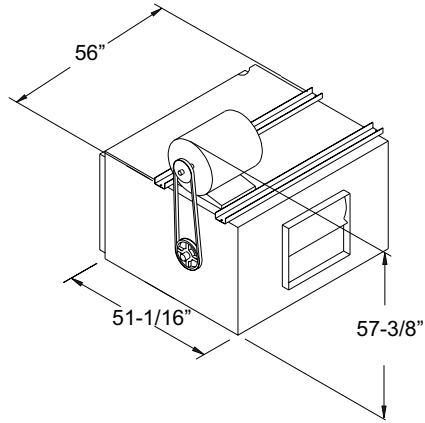
**Maximum BHP** - 4.62 (RPM/1000)<sup>3</sup>

**Outlet Area** - 5.157 Sq. Ft.

**Max Motor Frame** - 215T

**Maximum RPM** - 1282

**Outlet Velocity** - CFM/5.157 fpm



**245 SDB**

CFM	OV	.250" SP		.375" SP		.500" SP		.625" SP		.750" SP		.875" SP		1.000" SP		1.250" SP		1.500" SP		2.000" SP		2.500" SP		3.000" SP		
		RPM	BHP	RPM	BHP	RPM	BHP	RPM	BHP	RPM	BHP	RPM	BHP	RPM	BHP	RPM	BHP	RPM	BHP	RPM	BHP	RPM	BHP	RPM	BHP	RPM
1700	329	327	0.11	393	0.17	447	0.23																			
2450	475	350	0.16	408	0.23	464	0.31	513	0.40	557	0.49	597	0.58	634	0.67											
3200	620	391	0.23	440	0.32	483	0.41	527	0.50	571	0.60	613	0.71	651	0.82	720	1.06	782	1.29							
3950	766	437	0.34	481	0.43	522	0.55	558	0.65	593	0.76	628	0.88	664	0.99	734	1.25	798	1.52	909	2.10	1004	2.68			
4700	911	487	0.49	526	0.58	564	0.70	599	0.83	631	0.96	662	1.09	691	1.22	750	1.49	811	1.77	924	2.40	1023	3.08	1110	3.77	
5450	1057	540	0.69	575	0.80	609	0.91	641	1.03	673	1.18	702	1.33	730	1.49	782	1.79	833	2.10	937	2.75	1036	3.46	1126	4.23	
6200	1202	595	0.92	627	1.07	658	1.20	687	1.31	716	1.44	745	1.61	772	1.78	822	2.13	869	2.48	958	3.17	1049	3.90	1139	4.70	
6950	1347	652	1.22	681	1.38	709	1.54	737	1.68	763	1.81	789	1.95	815	2.12	864	2.49	909	2.88	992	3.66	1072	4.45	1153	5.25	
7700	1493	710	1.58	737	1.75	763	1.93	788	2.10	813	2.26	837	2.41	860	2.55	907	2.92	951	3.33	1032	4.20	1106	5.06	1178	5.93	
8450	1638	769	2.02	794	2.20	818	2.39	841	2.58	864	2.77	887	2.95	909	3.11	952	3.44	994	3.84	1074	4.78	1145	5.73	1212	6.67	
9200	1784	829	2.54	852	2.73	874	2.93	896	3.14	918	3.36	939	3.57	960	3.76	1000	4.11	1039	4.47	1116	5.39	1187	6.43	1252	7.48	
9950	1929	890	3.16	911	3.35	931	3.55	952	3.78	972	4.01	992	4.24	1012	4.47	1050	4.88	1087	5.25	1159	6.11	1228	7.16			
10700	2075	950	3.86	970	4.06	990	4.29	1009	4.51	1028	4.76	1047	5.01	1065	5.25	1102	5.74	1137	6.16	1205	6.98	1271	8.00			
11450	2220	1012	4.67	1030	4.88	1049	5.12	1067	5.35	1085	5.61	1102	5.86	1120	6.13	1154	6.65	1188	7.16	1253	8.03					
12200	2366	1073	5.59	1091	5.82	1108	6.05	1125	6.30	1142	6.55	1159	6.83	1175	7.10	1208	7.67	1240	8.23							
12950	2511	1134	6.61	1151	6.86	1168	7.11	1184	7.36	1200	7.63	1216	7.91	1231	8.18	1263	8.80									
13700	2657	1197	7.79	1213	8.04	1228	8.29	1243	8.55	1259	8.84	1274	9.12													
14450	2802	1260	9.09	1274	9.34																					

Performance shown is for Installation Type B: free inlet, ducted outlet. Performance ratings do not include the appurtenances in the airstream. Power rating (BHP) does not include drive losses.



**15 DB/DBX**

RPM	SP	Sound Power re 10 <sup>-12</sup> Watts								L <sub>wiA</sub>	Sones
		Octave Bands									
		1	2	3	4	5	6	7	8		
350	0.125	71	66	62	61	56	53	49	44	62	5.8
450	0.125	77	76	69	71	65	63	59	53	72	10.5
	0.250	77	75	66	68	61	58	54	49	69	8.7
550	0.125	82	83	76	77	71	69	66	60	78	15.3
	0.250	82	82	74	75	69	66	63	58	76	13.9
	0.375	81	82	72	73	66	63	60	55	74	12.6
650	0.125	85	88	82	80	77	73	71	66	83	21
	0.250	84	87	81	79	76	72	69	64	82	19.3
	0.500	85	86	79	76	72	68	65	60	79	17.1
750	0.125	88	92	88	83	82	77	75	71	87	26
	0.250	87	91	87	82	81	76	74	69	86	25
	0.500	88	91	85	80	79	73	71	67	84	23
	0.750	86	90	84	78	76	70	68	63	82	21
850	0.125	90	96	92	85	86	80	79	75	91	33
	0.250	90	95	92	85	86	80	78	74	90	31
	0.500	89	94	91	83	84	78	76	72	89	29
	0.750	90	95	90	82	82	76	73	69	87	28
	1.000	88	93	89	81	81	73	70	67	86	25
950	0.125	93	99	96	88	90	83	82	78	94	40
	0.250	92	98	96	87	89	83	81	77	94	39
	0.500	91	97	95	86	88	81	80	76	93	36
	0.750	92	98	94	85	87	80	78	74	91	35
	1.000	92	98	94	84	85	78	76	72	90	33
1050	0.750	93	99	98	89	90	84	81	78	95	42
	1.000	94	100	97	87	89	82	80	76	94	41
	1.500	92	99	97	86	87	79	76	73	92	37
1150	1.750	94	100	99	90	89	83	79	76	95	43
	2.000	93	99	99	89	88	81	77	74	94	41

**18 DB/DBX**

RPM	SP	Sound Power re 10 <sup>-12</sup> WATTS								L <sub>wiA</sub>	Sones
		Octave Bands									
		1	2	3	4	5	6	7	8		
300	0.125	76	74	72	63	61	59	55	49	68	8.9
325	0.125	79	78	74	66	63	62	58	52	71	10.2
350	0.125	80	81	75	68	66	64	61	55	73	12.3
375	0.125	82	84	76	71	68	66	63	57	75	14.5
400	0.125	84	87	78	73	70	68	65	59	77	16.6
425	0.250	85	87	79	73	69	68	65	60	78	16.7
450	0.250	86	89	81	76	71	70	67	62	80	18.8
475	0.250	87	90	83	79	73	71	69	64	82	21
500	0.250	88	92	86	82	75	73	71	66	84	23
	0.375	88	90	85	81	73	72	69	64	83	22
525	0.250	88	93	88	84	76	74	72	67	86	25
	0.375	88	92	87	83	75	73	71	66	85	24
550	0.250	89	94	90	86	78	75	73	69	87	28
	0.375	89	94	89	85	77	75	72	68	87	26
575	0.250	90	96	92	88	79	77	75	70	89	30
	0.375	90	95	91	88	78	76	74	70	88	29
600	0.375	91	96	93	88	80	77	75	71	90	31
	0.500	91	95	92	88	79	76	74	70	89	30
625	0.375	91	97	94	89	81	78	76	73	91	33
	0.500	91	97	93	89	80	78	76	72	90	32
650	0.375	92	98	96	90	82	79	77	74	92	36
	0.500	92	98	95	90	81	79	77	73	91	35
675	0.375	93	99	98	91	83	80	78	75	93	40
	0.500	93	99	97	90	82	80	78	75	93	38
700	0.375	93	100	99	91	84	81	79	76	94	43
	0.500	93	100	99	91	84	81	79	76	94	41
725	0.500	94	101	100	92	85	82	80	77	95	44
	0.750	94	100	98	91	83	81	79	76	94	41

The sound power level ratings shown are in decibels, referred 10<sup>-12</sup> watts calculated per AMCA Standard 301. Values shown are for inlet L<sub>wiA</sub> sound power levels for Installation Type B Free Inlet, Ducted Outlet. Ratings do not include the effects of duct end correction. The sound ratings shown are loudness values in fan sones at 5ft. (1.5m) in a hemispherical free field calculated per AMCA Standard 301. Values shown are for Installation Type B Free Inlet fan sone levels. Sound data is based on resilient mount ODP motors. Rigid mount TEFC and Explosion Proof motors may have higher sound levels.





**180 SDB**

RPM	SP	Sound Power re 10 <sup>-12</sup> Watts								L <sub>wiA</sub>	Sones
		Octave Bands									
		1	2	3	4	5	6	7	8		
500	0.250	67	64	60	58	57	51	46	40	61	5.2
700	0.250	79	75	74	69	68	64	58	52	73	10.7
	0.375	78	73	72	68	66	63	57	51	71	9.8
	0.500	77	72	70	66	65	62	55	50	70	9.0
900	0.250	88	86	83	77	75	73	67	61	81	18.7
	0.375	87	85	82	76	74	72	66	60	80	17.5
	0.500	86	84	80	75	73	72	65	59	79	16.6
	0.750	84	82	78	73	71	70	63	58	77	14.9
1100	1.000	87	81	74	70	68	68	62	58	75	13.6
	0.375	91	91	87	83	80	78	73	67	86	25
	0.500	91	91	86	82	79	77	72	66	86	24
	0.750	90	90	84	81	78	76	71	65	84	23
	1.000	89	89	83	80	77	76	70	64	83	21
1300	1.250	89	88	81	78	75	74	69	63	82	20
	1.500	91	88	79	75	73	73	68	63	80	19.6
	0.500	94	96	91	89	84	82	78	72	91	33
	0.750	93	96	89	87	83	81	77	71	90	32
	1.000	93	95	88	86	82	81	77	70	89	30
1500	1.250	92	94	87	85	81	80	76	70	88	29
	1.500	91	93	86	84	80	79	75	69	87	27
	2.000	93	94	83	81	78	77	74	68	85	26
	0.750	96	100	95	93	87	85	82	76	95	43
	1.000	96	100	94	92	87	85	82	75	94	41
1700	1.250	95	99	94	91	86	84	81	75	93	39
	1.500	95	99	93	90	85	84	81	74	93	38
	2.000	94	97	92	89	84	82	80	73	91	35
	2.500	95	98	90	86	82	81	78	72	90	34
	3.000	98	99	88	83	79	79	77	72	89	34
1700	2.000	97	102	98	94	88	86	85	78	96	47
	2.500	96	101	97	93	87	85	84	77	95	44
	3.000	96	101	96	91	86	84	83	76	94	43

**245 SDB**

RPM	SP	Sound Power re 10 <sup>-12</sup> Watts								L <sub>wiA</sub>	Sones
		Octave Bands									
		1	2	3	4	5	6	7	8		
400	0.250	68	64	65	62	58	51	48	45	63	6.0
550	0.250	80	79	74	72	69	63	59	57	74	11.9
	0.375	79	78	73	71	67	62	57	55	73	11.1
	0.500	79	77	72	71	66	61	56	53	72	10.4
700	0.250	89	87	80	80	76	72	66	65	82	19.5
	0.375	88	86	79	79	75	71	65	63	81	18.6
	0.500	87	86	78	79	75	70	64	62	80	17.7
	0.750	87	85	77	78	73	69	62	59	79	16.5
850	0.250	95	92	86	85	82	78	72	70	87	27
	0.375	94	92	86	84	81	78	71	69	87	26
	0.500	94	91	85	84	81	77	70	68	86	25
	0.750	92	90	84	83	80	76	69	67	85	24
	1.000	92	90	84	83	79	75	68	65	85	23
1000	1.250	92	89	83	82	78	74	67	64	84	22
	0.250	98	98	93	89	86	83	77	74	92	37
	0.375	98	97	93	88	86	83	77	74	92	36
	0.500	97	97	93	88	86	82	76	73	91	35
	0.750	96	96	92	88	85	81	75	72	91	33
1150	1.000	95	96	91	87	84	81	74	71	90	32
	1.250	95	95	91	87	84	80	74	70	90	31
	1.500	95	95	90	86	83	79	73	69	89	30
	0.250	101	102	99	92	90	87	82	78	96	48
	0.375	100	102	99	92	90	87	82	77	96	48
1150	0.500	100	102	99	91	90	86	81	77	96	47
	0.750	100	102	98	91	89	86	81	76	95	45
	1.000	99	101	98	91	89	85	80	75	95	44
	1.250	98	100	97	90	88	85	79	74	94	42
	1.500	97	100	97	90	88	84	78	73	94	41
1150	2.000	97	99	96	89	87	83	78	72	93	39
	2.500	97	99	95	88	86	82	77	71	93	38

**210 SDB**

RPM	SP	Sound Power re 10 <sup>-12</sup> Watts								L <sub>wiA</sub>	Sones
		Octave Bands									
		1	2	3	4	5	6	7	8		
400	0.250	69	62	60	58	54	50	47	49	60	5.4
600	0.250	83	80	69	72	67	64	57	57	73	12.0
	0.375	83	79	68	72	66	63	56	57	73	11.4
	0.500	82	78	68	71	65	63	56	57	72	10.9
800	0.250	89	89	81	78	76	72	67	64	81	20
	0.375	88	89	80	77	75	72	66	63	81	19.8
	0.500	88	89	80	77	75	71	66	63	81	19.4
	0.750	88	87	79	77	74	70	65	63	80	18.5
1000	1.000	87	87	78	76	73	69	65	62	79	17.6
	0.250	93	96	90	82	83	78	74	69	88	30
	0.375	93	96	90	82	82	78	74	69	88	30
	0.500	92	96	89	81	82	78	74	69	88	29
	0.750	92	95	89	81	82	77	73	68	87	28
	1.000	92	95	88	81	81	76	73	68	87	27
1200	1.250	92	94	87	80	81	76	72	68	86	27
	1.500	91	94	86	80	80	75	72	67	85	26
	0.250	96	102	97	85	88	83	81	74	94	42
	0.375	96	101	97	85	88	83	80	73	94	41
	0.500	96	101	97	85	88	83	80	73	93	41
	0.750	96	101	97	84	87	82	79	73	93	40
	1.000	95	101	96	84	87	82	79	72	93	39
	1.250	95	100	96	84	87	81	79	72	92	38
1200	1.500	95	100	95	84	87	81	78	72	92	38
	2.000	95	100	94	83	86	80	78	71	91	36
	2.500	94	99	93	82	85	78	77	71	90	35

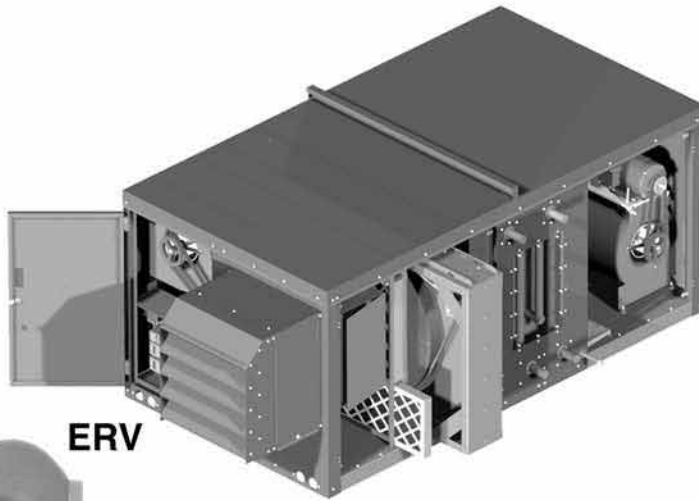
The sound power level ratings shown are in decibels, referred 10<sup>-12</sup> watts calculated per AMCA Standard 301. Values shown are for inlet L<sub>wiA</sub> sound power levels for Installation Type B Free Inlet, Ducted Outlet. Ratings do not include the effects of duct end correction. The sound ratings shown are loudness values in fan sones at 5ft. (1.5m) in a hemispherical free field calculated per AMCA Standard 301. Values shown are for Installation Type B Free Inlet fan sone levels. Sound data is based on resilient mount ODP motors. Rigid mount TEFC and Explosion Proof motors may have higher sound levels.

## Other Available Products

Visit [lorencook.com](http://lorencook.com) to view our complete line of products!



**AC**



**ERV**



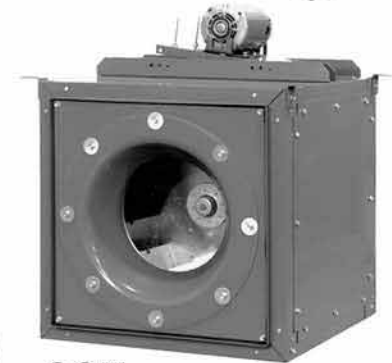
**QMX**



**CA-DWDI**



**CVB**



**SQN**



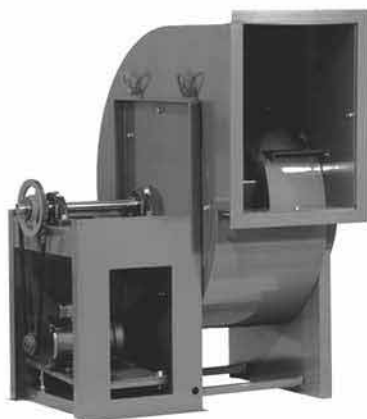
**APB**



**IMH**



**KSP**



**CPS**



**XLWH**



**VCR**