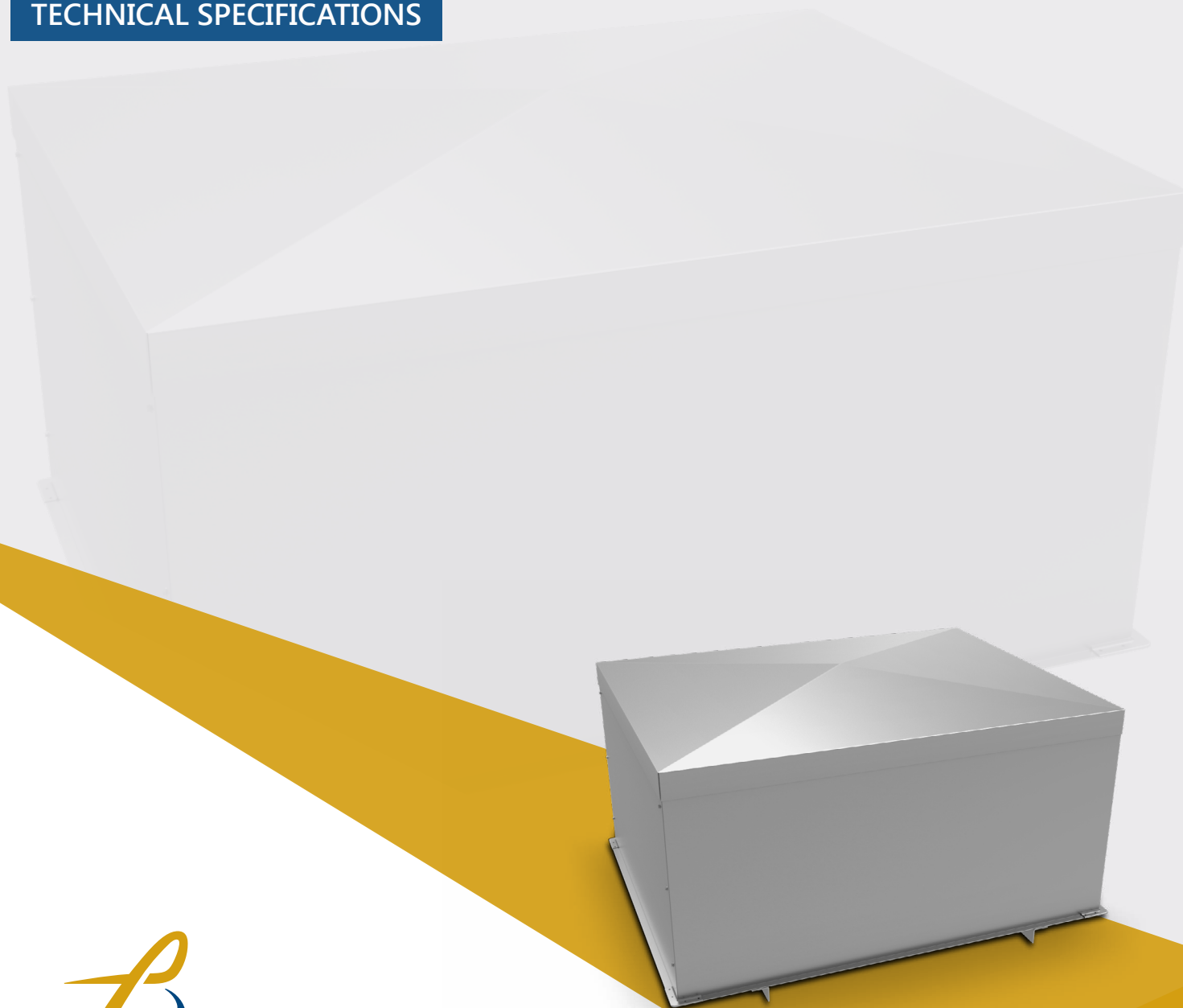


LC DYNAFAN

Low Contour Centrifugal Roof Exhausters

TECHNICAL SPECIFICATIONS



PENNBARRY™

BULLETIN LC18

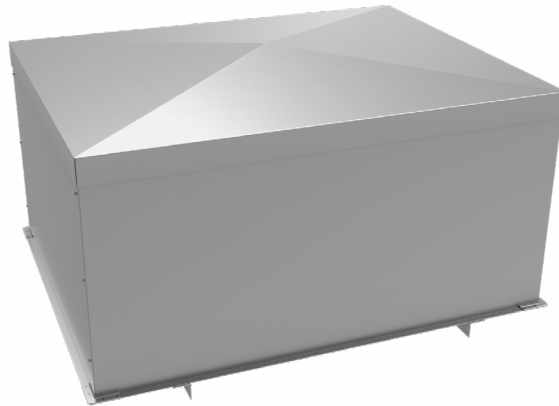
TABLE OF CONTENTS

INTRODUCTION	3
CERTIFICATIONS & LISTINGS	3
DIMENSIONS DIRECT DRIVE	4
LC DIRECT DRIVE	5
LC12BC BELT DRIVE	6-7
LC20BC BELT DRIVE	8-9
LC24BC BELT DRIVE	10-11
LC30BC BELT DRIVE	12-13
LC40BC BELT DRIVE	14-15

INTRODUCTION

Belt driven LC Dynafans offer a wide range of sizes with capacities extending over 17,000 CFM. Units are low and inconspicuous, with a unique design that features motor mounting beside the wheel rather than atop the wheel. Large wheels turning at moderate speeds provide quieter operation and airstream cooling for the motors and bearings. Units float on vibration isolators. Belts, ball bearing motors, sheaves, and self-aligning ball bearings are all standard brands of national manufacturers. All components are selected for durability, efficiency and value.

PennBarry's LC Dynafan units are completely self-contained, packaged exhaust systems. Direct drive units are especially effective at providing a quiet steady exhaust at moderate resistance. Direct drive units offer extensive performance flexibility when used with the Lek-Trol™ speed controller. Lek-Trol™ switches employ solid state circuitry to enable air movement adjustment from full to half of capacity. Additional Dynafan construction features include low profile housings of sturdy steel or durable aluminum, dynafoil impellers, and a strong welded and reinforced chassis. These housings are removable or hinged for easy access to all components and can be fitted with expanded metal bird and debris guards.



Model: LC Direct Drive

- Static pressure up to 1.5" wg.
- Flow capacity up to 2,072 CFM

Model: LC Belt Drive

- Static pressure up to 1.25" wg.
- Flow capacity up to 17,516 CFM

CERTIFICATIONS & LISTINGS



AMCA Certification

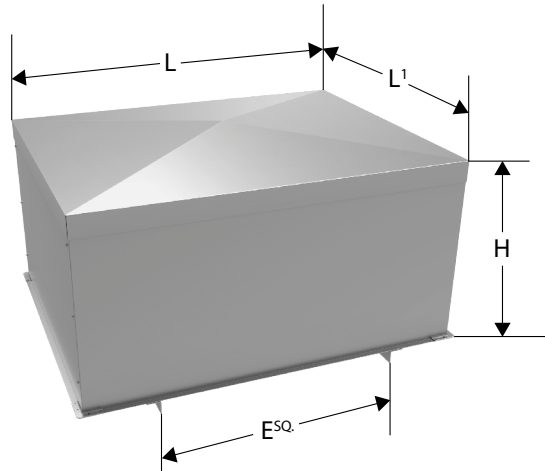
PennBarry certifies that the LC Dynafan models shown herein are licensed to bear the AMCA Seal. The ratings shown are based on tests and procedures performed in accordance with AMCA publication 211 and AMCA publication 311 and comply with the requirements of the AMCA Certified Ratings Program.



cULus Certification

PennBarry LC Dynafan exhausters carry the UL label, UL705 (ZACT/ZACT7), file #E28413.

DIMENSIONS | DIRECT DRIVE



Direct Drive

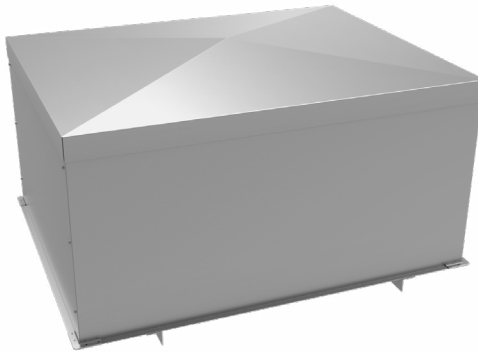
Model	Unit Dimensions			
	L	L'	H	E
LC06VC	24	24	16	18 1/2
LC06SC	24	24	16	18 1/2
LC06RC	24	24	16	18 1/2
LC12VC	33	33	21	20 1/2
LC12SC	33	33	21	20 1/2
LC12RC	33	33	21	20 1/2

Belt Drive

Model	Unit Dimensions			
	L	L'	H	E ^{SQ}
LC 12BC	39	35	20	24 1/2
LC 20BC	45	35	24	28 1/2
LC 24BC	55	43	27	33 1/2
LC 30BC	64	48	27	36
LC 40BC	76	54	34	44 1/2

All dimensions in inches

LC | DIRECT DRIVE



Performance Data Overview

LC Dynafan direct drive models are available with single and multi-speed motors. Multi-speed motors are designated V (1050 RPM), S (1300 RPM), and R (1550 RPM). A single LC Dynafan may be made suitable for several requirements by a simple wiring change. This feature provides flexibility for a variety of reasons, including energy savings, off-hours requirements, future expansion, or unexpected field variations.

LC Dynafan direct drive models are available in two sizes (6 and 12). Capacities range from below 150 CFM to above 2,000 CFM, with static pressures beyond 1 1/4".

When compared to belt drive models, LC Dynafan direct drive fans require less maintenance, have a simpler construction, cost less, and are lighter in weight.

Performances in 50 Hz applications will be less than shown below; consult with local PennBarry representative.

Model	HP	Max. Watts	RPM	Tip Speed	0.000" SP		0.125" SP		0.250" SP		0.375" SP		0.500" SP	
					CFM	Sones	CFM	Sones	CFM	Sones	CFM	Sones	CFM	Sones
LC06VC	1/25	105	1050	3058	417	2.4	242	2.3	163	3.4	120	4.3	80	5.2
LC06SC	1/11	147	1300	3786	551	4	420	4.5	347	5.2	283	6.1	219	6.6
LC06RC	1/25	196	1550	4514	648	7.6	564	7.5	483	7.6	407	8.1	334	8.7
LC12VC	1/6	479	1050	3788	1410	7.5	1243	6.1	1055	5.1	878	6.4	730	7.4
LC12SC	1/3	533	1300	4721	1798	10.4	1618	9	1452	7.8	1266	8	1119	8.1
LC12RC	1/2	600	1550	5592	2072	13.1	1918	12	1783	11.2	1639	10.6	1495	10.6

Model	HP	Max. Watts	RPM	Tip Speed	0.625" SP		0.750" SP		1.000" SP		1.250" SP		1.500" SP	
					CFM	Sones	CFM	Sones	CFM	Sones	CFM	Sones	CFM	Sones
LC06VC	1/25	105	1050	3058	39	6.1	-	-	-	-	-	-	-	-
LC06SC	1/11	147	1300	3786	162	7.1	110	7.6	-	-	-	-	-	-
LC06RC	1/7	196	1550	4514	382	8.8	283	9	104	9.5	-	-	-	-
LC12VC	1/6	479	1050	3788	633	8.2	543	9.4	341	9.7	198	10.1	83	11.1
LC12SC	1/3	533	1300	4721	979	8.7	880	9.3	692	10.2	484	10.8	260	11.5
LC12RC	1/2	600	1550	5592	1354	10.7	1212	10.9	950	11.9	688	12.5	406	13.2

Performance certified is for installation type A: Free Inlet, Free Outlet. Speed (RPM) shown is nominal. Performance is based on actual speed of test. The sound ratings shown are for loudness values in fan sones at 5'0" (1.5m) in a hemispherical free field calculated per AMCA International Standard 301. Values shown are for Installation Type A: free inlet fan sone levels. Performance ratings include the effects of screen in the airstream. For models shown on this page, the AMCA Certified Ratings Seal applies to air and sound. Watt ratings shown are for models tested at 115/1/60.

LC12BC | BELT DRIVE



Max RPM = 1729 (1HP)

Hp	RPM	Tip Speed FPM	0.000" SP		0.125" SP		0.250" SP		0.375" SP		0.500" SP		0.625" SP		0.750" SP		0.875" SP		1.000" SP		1.250" SP	
			CFM		CFM		CFM		CFM		CFM		CFM		CFM		CFM		CFM		CFM	
			Sones	BHP	Sones	BHP	Sones	BHP	Sones	BHP	Sones	BHP	Sones	BHP	Sones	BHP	Sones	BHP	Sones	BHP	Sones	BHP
1/4	715	2228	1192		958		630		-		-		-		-		-		-		-	
			6.0	0.063	5.1	0.068	4.8	0.066	-	-	-	-	-	-	-	-	-	-	-	-	-	-
	779	2427	1299		1084		831		-		-		-		-		-		-		-	
			7.2	0.082	6.3	0.088	6.0	0.089	-	-	-	-	-	-	-	-	-	-	-	-	-	
	841	2620	1402		1203		986		635		-		-		-		-		-		-	
			8.1	0.103	7.2	0.110	6.9	0.112	6.7	0.104	-	-	-	-	-	-	-	-	-	-	-	
	1000	3115	1668		1500		1332		1134		851		-		-		-		-		-	
			10.3	0.174	9.1	0.181	8.6	0.188	8.3	0.189	8.0	0.180	-	-	-	-	-	-	-	-	-	
1078	3358	1798		1643		1487		1318		1107		788		-		-		-		-		
		10.8	0.218	9.6	0.226	9.1	0.233	8.7	0.237	8.5	0.234	8.3	0.218	-	-	-	-	-	-	-		
1133	3530	1889		1742		1594		1439		1256		1006		-		-		-		-		
		11.3	0.253	10.0	0.262	9.4	0.269	9.1	0.274	8.9	0.274	8.8	0.264	-	-	-	-	-	-	-		
1/3	1168	3639	1948		1805		1661		1515		1342		1128		799		-		-		-	
			11.6	0.277	10.3	0.286	9.7	0.294	9.3	0.300	9.1	0.301	9.1	0.295	9.0	0.272	-	-	-	-	-	
	1180	3676	1968		1826		1684		1541		1372		1163		859		-		-		-	
			11.7	0.285	10.5	0.295	9.7	0.303	9.4	0.309	9.2	0.310	9.2	0.305	9.2	0.285	-	-	-	-	-	
	1204	3751	2008		1869		1730		1590		1430		1234		959		-		-		-	
			11.9	0.303	10.7	0.313	9.9	0.321	9.6	0.328	9.4	0.330	9.3	0.326	9.5	0.309	-	-	-	-	-	
	1220	3801	2035		1897		1760		1622		1466		1281		1024		-		-		-	
			12.1	0.315	10.9	0.325	10.1	0.334	9.8	0.341	9.5	0.343	9.4	0.340	9.7	0.326	-	-	-	-	-	
1/2	1250	3894	2085		1951		1817		1682		1534		1362		1134		799		-		-	
			12.5	0.339	11.3	0.349	10.4	0.358	10.0	0.365	9.7	0.369	9.7	0.368	10.1	0.356	10.0	0.326	-	-	-	
	1295	4034	2160		2030		1901		1771		1633		1474		1281		1014		-		-	
			12.7	0.377	11.5	0.388	10.6	0.397	10.3	0.405	10.0	0.410	9.9	0.410	10.6	0.403	10.6	0.383	-	-	-	
	1340	4175	2235		2110		1985		1860		1731		1584		1413		1188		875		-	
			13.1	0.418	12.0	0.429	11.0	0.439	10.7	0.447	10.4	0.453	10.3	0.455	10.6	0.451	11.2	0.437	11.0	0.405	-	
	1360	4237	2268		2145		2022		1899		1774		1630		1468		1261		981		-	
			13.3	0.437	12.2	0.448	11.2	0.458	10.8	0.467	10.6	0.474	10.4	0.476	10.7	0.473	11.4	0.461	11.2	0.436	-	
1386	4318	2311		2191		2070		1949		1828		1689		1534		1346		1090		-		
		13.6	0.462	12.5	0.474	11.5	0.484	11.1	0.493	10.8	0.501	10.6	0.503	10.7	0.502	11.5	0.493	11.5	0.471	-		
1403	4371	2340		2220		2101		1982		1862		1727		1576		1397		1160		-		
		13.8	0.480	12.7	0.491	11.7	0.502	11.3	0.511	11.0	0.518	10.8	0.522	10.9	0.521	11.5	0.513	11.8	0.494	-		

LC12BC | BELT DRIVE

Hp	RPM	Tip Speed FPM	0.000" SP		0.125" SP		0.250" SP		0.375" SP		0.500" SP		0.625" SP		0.750" SP		0.875" SP		1.000" SP		1.250" SP			
			CFM		CFM		CFM		CFM		CFM		CFM		CFM		CFM		CFM		CFM		CFM	
			Sones	BHP	Sones	BHP	Sones	BHP	Sones	BHP	Sones	BHP	Sones	BHP	Sones	BHP	Sones	BHP	Sones	BHP	Sones	BHP	Sones	BHP
3/4	1425	4439	2376		2259		2142		2024		1906		1775		1630		1461		1243		-			
			14.0	0.502	12.9	0.514	11.9	0.525	11.5	0.534	11.2	0.542	11.0	0.546	11.1	0.546	11.6	0.540	12.0	0.524	-	-		
	1510	4704	2518		2407		2297		2186		2074		1961		1831		1689		1523		1044			
			15.0	0.598	13.9	0.610	12.9	0.622	12.3	0.632	12.1	0.641	11.9	0.649	11.8	0.651	12.0	0.649	12.5	0.641	12.9	0.589		
	1550	4829	2585		2477		2369		2261		2153		2044		1921		1787		1640		1221			
			15.5	0.647	14.4	0.659	13.4	0.672	12.7	0.682	12.5	0.692	12.3	0.700	12.1	0.703	12.3	0.703	12.6	0.699	13.4	0.659		
1575	4907	2627		2520		2414		2308		2201		2094		1976		1849		1707		1322				
		15.8	0.678	14.8	0.691	13.7	0.704	13.0	0.715	12.8	0.724	12.6	0.733	12.4	0.737	12.5	0.739	12.8	0.735	13.7	0.701			
1612	5022	2688		2584		2481		2377		2273		2168		2057		1936		1800		1458				
		16.2	0.727	15.1	0.741	14.1	0.754	13.3	0.765	13	0.775	12.9	0.784	12.7	0.790	12.8	0.792	13.0	0.790	14.2	0.764			
1	1640	5109	2735		2633		2531		2429		2327		2224		2118		1998		1869		1559			
			16.5	0.766	15.4	0.779	14.4	0.793	13.6	0.804	13.3	0.815	13.1	0.824	12.9	0.831	12.9	0.834	13.1	0.832	14.4	0.813		
	1660	5172	2768		2668		2567		2466		2365		2264		2161		2043		1918		1619			
			16.7	0.794	15.6	0.808	14.6	0.822	13.8	0.833	13.4	0.844	13.3	0.853	13.1	0.862	13.0	0.864	13.2	0.864	14.4	0.847		
	1680	5234	2802		2702		2603		2503		2403		2303		2203		2087		1967		1678			
			16.9	0.823	15.8	0.837	14.8	0.851	14.0	0.863	13.6	0.874	13.4	0.883	13.2	0.893	13.2	0.895	13.3	0.896	14.4	0.881		
1700	5296	2835		2737		2638		2540		2441		2342		2243		2131		2016		1737				
		17.2	0.853	16.1	0.867	15.0	0.881	14.2	0.893	13.8	0.905	13.6	0.914	13.4	0.923	13.3	0.927	13.5	0.929	14.4	0.917			
1728	5383	2882		2785		2688		2591		2494		2397		2300		2193		2080		1819				
		17.6	0.896	16.4	0.910	15.3	0.924	14.5	0.937	14.0	0.948	13.9	0.959	13.7	0.968	13.5	0.973	13.7	0.976	14.5	0.968			

Performance certified is for installation type A: Free Inlet, Free Outlet. Power rating (BHP) does not include transmission losses. The sound ratings shown are for loudness values in fan sones at 5'0" (1.5m) in a hemispherical free field calculated per AMCA International Standard 301. Values shown are for Installation Type A: free inlet hemispherical sone levels. Performance ratings include the effects of screen in the airstream. For models shown on this page, the AMCA Certified Ratings Seal applies to air and sound.

LC20BC | BELT DRIVE



Max RPM = 1350 (2HP)

HP	RPM	Tip Speed FPM	0.000" SP		0.125" SP		0.250" SP		0.375" SP		0.500" SP		0.625" SP		0.750" SP		0.875" SP		1.000" SP		1.250" SP	
			CFM		CFM		CFM		CFM		CFM		CFM		CFM		CFM		CFM		CFM	
			Sones	BHP	Sones	BHP	Sones	BHP	Sones	BHP	Sones	BHP	Sones	BHP	Sones	BHP	Sones	BHP	Sones	BHP	Sones	BHP
1/4	410	2174	1848		1369		-		-		-		-		-		-		-		-	
			4.1	0.057	3.2	0.066	-		-		-		-		-		-		-		-	
	430	2280	1938		1491		-		-		-		-		-		-		-		-	
			4.6	0.065	3.6	0.076	-		-		-		-		-		-		-		-	
	450	2386	2028		1608		-		-		-		-		-		-		-		-	
			5.0	0.075	4.0	0.086	-		-		-		-		-		-		-		-	
	495	2624	2231		1854		1341		-		-		-		-		-		-		-	
			6.4	0.100	5.1	0.112	5.3	0.115	-		-		-		-		-		-		-	
	530	2810	2389		2040		1609		-		-		-		-		-		-		-	
			7.3	0.122	5.9	0.136	6.0	0.143	-		-		-		-		-		-		-	
586	3107	2641		2328		1974		1448		-		-		-		-		-		-		
		8.8	0.165	7.1	0.181	7.4	0.192	7.5	0.187	-		-		-		-		-		-		
630	3340	2840		2549		2238		1836		-		-		-		-		-		-		
		10.3	0.206	8.3	0.222	8.5	0.236	8.8	0.240	-		-		-		-		-		-		
663	3515	2988		2713		2421		2067		1504		-		-		-		-		-		
		11.0	0.240	8.9	0.257	9.1	0.273	9.3	0.280	9.4	0.262	-		-		-		-		-		
1/3	693	3674	3124		2860		2584		2265		1838		-		-		-		-		-	
			11.8	0.274	9.5	0.292	9.7	0.309	9.8	0.319	9.9	0.315	-		-		-		-		-	
713	3780	3214		2958		2691		2389		2005		-		-		-		-		-		
		12.3	0.298	10.0	0.317	10.1	0.334	10.2	0.346	10.3	0.347	-		-		-		-		-		
1/2	740	3923	3336		3090		2835		2553		2209		-		-		-		-		-	
			12.9	0.333	10.8	0.353	10.6	0.372	10.7	0.385	10.8	0.390	-		-		-		-		-	
	760	4029	3426		3187		2940		2674		2348		1912		-		-		-		-	
			13.5	0.361	11.3	0.382	11.0	0.401	11.2	0.416	11.3	0.422	11.4	0.410	-		-		-		-	
	790	4188	3561		3331		3094		2843		2552		2182		-		-		-		-	
14.4			0.405	12.3	0.427	11.7	0.447	11.9	0.464	12.0	0.474	12.1	0.470	-		-		-		-		
820	4347	3696		3475		3247		3008		2738		2418		1941		-		-		-		
		15.2	0.453	13.0	0.476	12.1	0.497	12.4	0.515	12.4	0.527	12.5	0.530	12.5	0.503	-		-		-		
3/4	850	4506	3831		3618		3399		3171		2921		2627		2262		-		-		-	
			15.8	0.505	13.6	0.528	12.5	0.550	12.8	0.569	12.8	0.584	12.8	0.590	12.8	0.582	-		-		-	
	900	4771	4057		3855		3649		3439		3216		2958		2661		2272		-		-	
			16.9	0.599	14.8	0.624	13.3	0.647	13.4	0.669	13.5	0.688	13.4	0.698	13.4	0.701	13.4	0.682	-		-	
943	4999	4251		4058		3863		3664		3453		3222		2960		2650		2194		-		
		18.1	0.689	16.0	0.715	14.1	0.740	14.2	0.764	14.3	0.784	14.2	0.799	14.0	0.806	14.0	0.802	14.0	0.760	-		

LC20BC | BELT DRIVE

HP	RPM	Tip Speed FPM	0.000" SP		0.125" SP		0.250" SP		0.375" SP		0.500" SP		0.625" SP		0.750" SP		0.875" SP		1.000" SP		1.250" SP			
			CFM		CFM		CFM		CFM		CFM		CFM		CFM		CFM		CFM		CFM		CFM	
			Sones	BHP	Sones	BHP	Sones	BHP	Sones	BHP	Sones	BHP	Sones	BHP	Sones	BHP	Sones	BHP	Sones	BHP	Sones	BHP	Sones	BHP
1	960	5089	4327		4138		3946		3751		3545		3325		3076		2788		2403		-			
			18.7	0.727	16.5	0.754	14.4	0.779	14.5	0.803	14.5	0.824	14.4	0.841	14.3	0.850	14.2	0.851	14.2	0.825	-			
	990	5248	4462		4279		4094		3905		3707		3505		3265		2999		2683		-			
			19.8	0.798	17.4	0.825	15.3	0.851	15.0	0.876	15.0	0.898	14.9	0.919	14.7	0.929	14.5	0.933	14.5	0.922	-			
	1011	5360	4557		4377		4197		4011		3820		3622		3395		3145		2857		-			
			20.4	0.849	17.9	0.877	15.7	0.904	15.2	0.930	15.2	0.953	15.2	0.974	15.0	0.987	14.8	0.993	14.7	0.989	-			
	1040	5513	4688		4513		4338		4158		3975		3782		3572		3343		3078		2161			
			21.0	0.925	18.6	0.953	16.4	0.981	15.5	1.007	15.7	1.033	16.0	1.054	15.7	1.070	15.5	1.081	15.2	1.081	15.2	0.955		
1 1/2	1070	5673	4823		4653		4483		4308		4133		3946		3752		3531		3287		2646			
			21.8	1.007	19.5	1.036	17.3	1.066	16.0	1.093	16.3	1.119	16.7	1.141	16.7	1.162	16.3	1.173	16.0	1.178	15.8	1.137		
	1090	5779	4913		4746		4580		4408		4236		4054		3870		3654		3425		2858			
			22.4	1.065	20.1	1.094	17.9	1.124	16.4	1.152	16.7	1.179	17.2	1.202	17.3	1.225	17.0	1.237	16.6	1.245	16.3	1.225		
	1100	5832	4958		4793		4628		4458		4288		4108		3926		3716		3494		2942			
			22.7	1.094	20.5	1.124	18.3	1.154	16.6	1.182	17.0	1.210	17.5	1.234	17.7	1.256	17.4	1.270	17.0	1.279	16.6	1.263		
	1130	5991	5093		4933		4772		4607		4442		4269		4092		3898		3689		3192			
			23.8	1.186	21.5	1.217	19.4	1.248	17.5	1.277	17.7	1.305	18.2	1.331	18.8	1.354	18.5	1.372	18.1	1.384	17.5	1.381		
1162	6160	5238		5081		4925		4766		4604		4440		4267		4091		3887		3436				
		24.5	1.290	22.2	1.322	20.4	1.353	18.8	1.384	18.5	1.413	19.0	1.440	19.5	1.464	19.5	1.487	19.2	1.499	18.5	1.508			

Performance certified is for installation type A: Free Inlet, Free Outlet. Power rating (BHP) does not include transmission losses. Selection software automatically calculates transmission losses when selecting equipment. The sound ratings shown are for loudness values in fan sones at 5'0" (1.5m) in a hemispherical free field calculated per AMCA International Standard 301. Values shown are for installation Type A: free inlet hemispherical sone levels. Performance ratings include the effects of screen in the airstream.

LC24BC | BELT DRIVE



Max RPM = 1045 (2HP)

HP	RPM	Tip Speed FPM	0.000" SP		0.125" SP		0.250" SP		0.375" SP		0.500" SP		0.625" SP		0.750" SP		0.875" SP		1.000" SP		1.250" SP	
			CFM		CFM		CFM		CFM		CFM		CFM		CFM		CFM		CFM		CFM	
			Sones	BHP	Sones	BHP	Sones	BHP	Sones	BHP	Sones	BHP	Sones	BHP	Sones	BHP	Sones	BHP	Sones	BHP	Sones	BHP
1/4	290	1879	2443		1601		-		-		-		-		-		-		-		-	
			4.6	0.06	3.0	0.07	-		-		-		-		-		-		-		-	
	315	2041	2654		1951		-		-		-		-		-		-		-		-	
			5.4	0.08	4.1	0.09	-		-		-		-		-		-		-		-	
	340	2203	2865		2232		-		-		-		-		-		-		-		-	
			6.0	0.10	5.0	0.11	-		-		-		-		-		-		-		-	
	360	2333	3033		2444		924		-		-		-		-		-		-		-	
			7.6	0.14	6.6	0.15	4.7	0.14	-		-		-		-		-		-		-	
	380	2462	3202		2652		1728		-		-		-		-		-		-		-	
7.6			0.14	6.6	0.15	4.7	0.14	-		-		-		-		-		-		-		
409	2592	3370		2856		2107		-		-		-		-		-		-		-		
		8.5	0.16	7.5	0.18	5.7	0.17	-		-		-		-		-		-		-		
430	2786	3623		3154		2550		-		-		-		-		-		-		-		
		10.1	0.20	9.0	0.22	7.4	0.23	-		-		-		-		-		-		-		
471	3052	3969		3554		3050		2233		-		-		-		-		-		-		
		12.3	0.27	11.1	0.29	9.9	0.30	7.3	0.28	-		-		-		-		-		-		
1/3	490	3175	4129		3737		3254		2582		-		-		-		-		-			
			12.9	0.30	11.7	0.32	10.5	0.33	8.3	0.32	-		-		-		-		-			
507	3285	4272		3900		3434		2843		-		-		-		-		-		-		
		13.4	0.33	12.1	0.35	10.8	0.37	9.1	0.36	-		-		-		-		-				
1/2	530	3434	4466		4119		3675		3169		2274		-		-		-		-			
			13.9	0.38	12.7	0.40	11.3	0.42	9.9	0.42	8.2	0.38	-		-		-		-			
	550	3564	4634		4307		3881		3439		2702		-		-		-		-			
14.6			0.42	13.3	0.45	11.9	0.47	10.6	0.48	8.9	0.45	-		-		-		-				
583	3778	4912		4598		4212		3802		3247		2155		-		-		-		-		
		15.6	0.51	14.2	0.53	12.8	0.55	11.4	0.57	10.2	0.55	9.1	0.46	-		-		-				
3/4	610	3953	5140		4836		4480		4090		3632		2923		-		-		-			
			16.3	0.58	14.9	0.60	13.5	0.63	12.1	0.64	11.1	0.64	9.9	0.61	-		-		-			
	640	4147	5393		5098		4773		4406		4030		3456		2423		-		-			
			17.2	0.67	15.6	0.69	14.2	0.72	12.9	0.74	11.9	0.75	11.0	0.72	10.2	0.61	-		-			
	655	4244	5519		5229		4919		4562		4194		3677		2926		-		-			
17.7			0.72	16.0	0.74	14.7	0.77	13.3	0.79	12.3	0.81	11.6	0.78	10.7	0.73	-		-				
671	4348	5654		5368		5073		4726		4367		3910		3260		-		-				
		18.3	0.77	16.5	0.80	15.1	0.83	13.8	0.85	12.7	0.86	12.1	0.85	11.3	0.81	-		-				

LC24BC | BELT DRIVE

HP	RPM	Tip Speed FPM	0.000" SP		0.125" SP		0.250" SP		0.375" SP		0.500" SP		0.625" SP		0.750" SP		0.875" SP		1.000" SP		1.250" SP					
			CFM		CFM		CFM		CFM		CFM		CFM		CFM		CFM		CFM		CFM		CFM			
			Sones	BHP	Sones	BHP	Sones	BHP	Sones	BHP	Sones	BHP	Sones	BHP	Sones	BHP	Sones	BHP	Sones	BHP	Sones	BHP	Sones	BHP		
1	680	4406	5730		5446		5160		4818		4464		4034		3424		2059		-		-					
			18.6	0.80	16.9	0.83	15.4	0.86	14.1	0.88	13.0	0.90	12.4	0.89	11.6	0.85	11.1	0.64	-	-	-	-				
	700	4536	5898		5620		5352		5019		4677		4305		3770		2964		-		-					
			19.5	0.88	17.6	0.90	16.1	0.93	14.8	0.96	13.7	0.97	13.2	0.98	12.5	0.94	12.0	0.86	-	-	-	-				
	719	4659	6058		5784		5534		5209		4878		4544		4050		3402		1798		-		-			
			20.0	0.95	18.1	0.97	16.6	1.01	15.4	1.03	14.4	1.05	13.8	1.07	13.3	1.04	12.7	0.99	12.2	0.69	-	-	-	-		
1 1/2	745	4827	6278		6009		5782		5466		5150		4827		4420		3884		3037		-		-			
			21.0	1.06	18.9	1.08	17.6	1.12	16.3	1.15	15.3	1.17	14.7	1.18	14.2	1.17	13.6	1.13	13.1	1.01	-	-	-	-		
	780	5054	6573		6310		6110		5809		5511		5201		4893		4424		3861		-		-			
			22.0	1.21	20.0	1.24	19.0	1.28	17.6	1.31	16.7	1.33	16.0	1.35	15.6	1.36	15.0	1.33	14.3	1.28	-	-	-	-		
	826	5352	6960		6705		6517		6253		5972		5685		5394		5064		4615		3118		-		-	
			24.0	1.44	22.0	1.46	21.0	1.51	19.6	1.54	18.5	1.57	17.9	1.59	17.4	1.61	17.0	1.61	16.3	1.57	15.3	1.31	-	-	-	-
2	860	5572	7247		6997		6815		6581		6309		6038		5756		5478		5101		4079		-		-	
			25.0	1.62	24.0	1.65	23.0	1.69	21.0	1.73	20.0	1.76	19.2	1.79	18.8	1.81	18.4	1.82	17.9	1.80	16.6	1.69	-	-	-	-
	880	5702	7415		7171		6990		6773		6505		6242		5968		5695		5372		4458		-		-	
			26.0	1.74	25.0	1.77	24.0	1.81	23.0	1.85	21.0	1.88	20.0	1.91	19.5	1.93	19.3	1.95	18.8	1.95	17.5	1.85	-	-	-	-
	911	5903	7676		7441		7261		7068		6808		6553		6292		6027		5765		4975		-		-	
			28.0	1.93	26.0	1.96	25.0	2.00	24.0	2.04	23.0	2.08	22.0	2.11	21.0	2.13	20.0	2.15	20.0	2.17	18.9	2.09	-	-	-	-

Performance certified is for installation type A: Free Inlet, Free Outlet. Power rating (BHP) does not include transmission losses. Selection software automatically calculates transmission losses when selecting equipment. The sound ratings shown are for loudness values in fan sones at 5'0" (1.5m) in a hemispherical free field calculated per AMCA International Standard 301. Values shown are for installation Type A: free inlet hemispherical sone levels. Performance ratings include the effects of screen in the airstream.

LC30BC | BELT DRIVE



Max RPM = 788 (3 HP)

HP	RPM	Tip Speed FPM	0.000" SP		0.125" SP		0.250" SP		0.375" SP		0.500" SP		0.625" SP		0.750" SP		0.875" SP		1.000" SP		1.250" SP	
			CFM		CFM		CFM		CFM		CFM		CFM		CFM		CFM		CFM		CFM	
			Sones	BHP	Sones	BHP	Sones	BHP	Sones	BHP	Sones	BHP	Sones	BHP	Sones	BHP	Sones	BHP	Sones	BHP	Sones	BHP
1/3	250	1996	3541		2480		-		-		-		-		-		-		-		-	
			4.3	0.09	3.7	0.10	-		-		-		-		-		-		-		-	
	275	2196	3895		2977		-		-		-		-		-		-		-		-	
			5.3	0.12	4.6	0.14	-		-		-		-		-		-		-		-	
	300	2395	4250		3453		1695		-		-		-		-		-		-		-	
			6.3	0.16	5.6	0.18	5.3	0.14	-		-		-		-		-		-		-	
	340	2715	4816		4134		3194		-		-		-		-		-		-		-	
7.9			0.23	7.3	0.26	6.7	0.26	-		-		-		-		-		-		-		
360	2875	5100		4468		3637		1515		-		-		-		-		-		-		
		8.9	0.28	8.2	0.30	7.5	0.31	7.3	0.21	-		-		-		-		-		-		
382	3050	5411		4829		4073		2879		-		-		-		-		-		-		
		9.9	0.33	9.1	0.36	8.5	0.37	8.1	0.34	-		-		-		-		-		-		
1/2	400	3194	5666		5118		4427		3483		-		-		-		-		-		-	
			10.9	0.38	9.9	0.41	9.3	0.43	8.8	0.42	-		-		-		-		-		-	
	420	3354	5950		5425		4809		3996		2076		-		-		-		-		-	
12.0			0.44	10.8	0.47	10.2	0.49	9.7	0.49	8.7	0.36	-		-		-		-		-		
440	3513	6233		5730		5155		4436		3282		-		-		-		-		-		
		13.3	0.51	11.8	0.54	11.2	0.56	10.7	0.57	10.1	0.52	-		-		-		-		-		
3/4	460	3673	6516		6032		5495		4834		3965		-		-		-		-		-	
			14.4	0.58	12.8	0.61	12.2	0.64	11.8	0.65	11.4	0.63	-		-		-		-		-	
	480	3833	6800		6333		5832		5229		4497		3101		-		-		-		-	
15.7			0.66	14.0	0.70	13.2	0.72	12.9	0.74	12.5	0.73	11.2	0.63	-		-		-		-		
506	4040	7168		6722		6267		5734		5081		4181		1904		-		-		-		
		17.0	0.77	15.3	0.81	14.4	0.84	14.2	0.86	13.8	0.87	13.3	0.83	10.6	0.54	-		-		-		
1	520	4152	7366		6931		6498		5987		5361		4604		2964		-		-		-	
			17.3	0.84	15.8	0.88	14.9	0.91	14.6	0.93	14.1	0.94	13.6	0.92	11.9	0.74	-		-		-	
	542	4328	7678		7259		6859		6367		5795		5154		4142		-		-		-	
18.0			0.95	16.7	1.00	15.7	1.02	15.2	1.05	14.7	1.06	14.1	1.06	13.4	0.99	-		-		-		

LC30BC | BELT DRIVE

HP	RPM	Tip Speed FPM	0.000" SP		0.125" SP		0.250" SP		0.375" SP		0.500" SP		0.625" SP		0.750" SP		0.875" SP		1.000" SP		1.250" SP			
			CFM		CFM		CFM		CFM		CFM		CFM		CFM		CFM		CFM		CFM		CFM	
			Sones	BHP	Sones	BHP	Sones	BHP	Sones	BHP	Sones	BHP	Sones	BHP	Sones	BHP	Sones	BHP	Sones	BHP	Sones	BHP	Sones	BHP
1 1/2	570	4551	8075		7676		7305		6842		6345		5767		5055		3821		-		-			
			19.2	1.10	18.1	1.15	17.2	1.18	16.3	1.21	15.6	1.23	14.9	1.24	14.3	1.22	13.5	1.08	-	-	-	-		
	590	4711	8358		7973		7612		7179		6731		6165		5558		4653		2635		-			
			19.9	1.22	18.9	1.27	18.1	1.31	17.1	1.34	16.3	1.36	15.6	1.37	14.9	1.37	14.5	1.29	13.3	0.94	-	-		
	600	4791	8500		8121		7765		7347		6906		6362		5793		4986		3390		-			
			20.0	1.29	19.3	1.34	18.5	1.37	17.5	1.40	16.7	1.43	15.9	1.44	15.2	1.44	14.9	1.39	14.1	1.13	-	-		
623	4975	8826		8461		8115		7730		7303		6816		6289		5663		4670		-				
		21.0	1.44	20.0	1.49	19.4	1.53	18.6	1.56	17.8	1.59	16.9	1.61	16.2	1.62	15.7	1.60	15.4	1.49	-	-			
2	640	5110	9067		8711		8372		8010		7593		7147		6629		6068		5287		-			
			22.0	1.56	21.0	1.62	20.0	1.66	19.3	1.69	18.5	1.72	17.8	1.74	16.9	1.75	16.3	1.74	16.0	1.68	-	-		
	660	5270	9350		9005		8674		8338		7932		7533		7022		6532		5891		2974			
			23.0	1.71	22.0	1.77	21.0	1.81	20.0	1.84	19.4	1.88	18.8	1.90	17.9	1.92	17.1	1.93	16.8	1.89	15.7	1.32		
	670	5350	9492		9152		8824		8502		8100		7707		7221		6734		6150		3729			
			23.0	1.79	23.0	1.85	22.0	1.90	21.0	1.93	19.9	1.96	19.3	1.99	18.5	2.01	17.6	2.01	17.2	1.99	16.5	1.56		
687	5486	9732		9401		9080		8776		8386		8001		7555		7075		6553		4843				
		24.0	1.93	23.0	1.99	23.0	2.04	22.0	2.07	21.0	2.11	20.0	2.14	19.4	2.16	18.5	2.17	17.8	2.16	17.7	1.94			
3	700	5589	9917		9592		9274		8976		8603		8224		7808		7332		6857		5358			
			25.0	2.04	24.0	2.10	23.0	2.16	22.0	2.19	22.0	2.22	21.0	2.25	20.0	2.28	19.2	2.29	18.4	2.29	18.2	2.13		
	720	5749	10200		9884		9573		9283		8936		8565		8194		7726		7275		6047			
			26.0	2.22	25.0	2.29	24.0	2.34	24.0	2.38	23.0	2.41	22.0	2.44	21.0	2.47	20.0	2.49	19.4	2.50	18.8	2.40		
	740	5909	10483		10176		9870		9588		9266		8903		8547		8120		7674		6649			
			27.0	2.41	26.0	2.48	25.0	2.54	24.0	2.57	24.0	2.61	23.0	2.64	22.0	2.68	21.0	2.70	20.0	2.71	19.4	2.67		
787	6284	11149		10860		10571		302		10034		9692		9354		9019		8601		7769				
		29.0	2.90	28.0	2.97	27.0	3.04	27.0	3.08	26.0	3.12	25.0	3.16	24.0	3.19	24.0	3.23	23.0	3.24	21.0	3.26			

Performance certified is for installation type A: Free Inlet, Free Outlet. Power rating (BHP) does not include transmission losses. Selection software automatically calculates transmission losses when selecting equipment. The sound ratings shown are for loudness values in fan sones at 5'0" (1.5m) in a hemispherical free field calculated per AMCA International Standard 301. Values shown are for installation Type A: free inlet hemispherical sone levels. Performance ratings include the effects of screen in the airstream.

LC40BC | BELT DRIVE



Max RPM = 1045 (2HP)

HP	RPM	Tip Speed FPM	0.000" SP		0.125" SP		0.250" SP		0.375" SP		0.500" SP		0.625" SP		0.750" SP		0.875" SP		1.000" SP		1.250" SP	
			CFM		CFM		CFM		CFM		CFM		CFM		CFM		CFM		CFM		CFM	
			Sones	BHP	Sones	BHP	Sones	BHP	Sones	BHP	Sones	BHP	Sones	BHP	Sones	BHP	Sones	BHP	Sones	BHP	Sones	BHP
1/2	210	2044	5417		3705		-		-		-		-		-		-		-		-	
			3.9	0.13	2.4	0.16	-		-		-		-		-		-		-		-	
	230	2239	5933		4392		-		-		-		-		-		-		-		-	
			4.9	0.17	3.3	0.21	-		-		-		-		-		-		-		-	
	250	2434	6449		5057		1935		-		-		-		-		-		-		-	
			5.9	0.22	4.3	0.27	3.8	0.19	-		-		-		-		-		-		-	
	270	2629	6965		5687		4046		-		-		-		-		-		-		-	
6.8			0.28	5.3	0.33	4.5	0.34	-		-		-		-		-		-		-		
290	2823	7481		6283		4945		-		-		-		-		-		-		-		
		7.8	0.35	6.3	0.40	5.2	0.42	-		-		-		-		-		-		-		
319	3106	8229		7133		6001		4174		-		-		-		-		-		-		
		9.4	0.46	7.7	0.52	6.6	0.57	6.2	0.53	-		-		-		-		-		-		
3/4	330	3213	8513		7458		6371		4915		-		-		-		-		-		-	
			10.0	0.51	8.2	0.57	7.1	0.62	6.6	0.62	-		-		-		-		-		-	
	350	3407	9029		8044		7035		5835		-		-		-		-		-		-	
11.2			0.61	9.2	0.68	8.2	0.73	7.4	0.74	-		-		-		-		-		-		
367	3573	9467		8535		7588		6537		4666		-		-		-		-		-		
		12.2	0.70	10.2	0.77	9.0	0.83	8.2	0.86	7.7	0.80	-		-		-		-		-		
1	385	3748	9932		9051		8137		7157		5903		-		-		-		-		-	
			13.4	0.81	11.3	0.88	9.9	0.95	9.3	0.99	8.6	0.98	-		-		-		-		-	
393	3826	10138		9279		8377		7427		6255		-		-		-		-		-		
		14.0	0.86	11.8	0.94	10.3	1.00	9.8	1.06	9.0	1.05	-		-		-		-		-		
1 1/2	420	4089	10835		10043		9176		8331		7411		5983		-		-		-		-	
			15.8	1.05	13.6	1.14	11.6	1.21	11.3	1.27	10.7	1.30	9.6	1.26	-		-		-		-	
	435	4235	11222		10464		9614		8824		7937		6801		3672		-		-		-	
16.4			1.17	14.4	1.26	12.4	1.34	12.1	1.40	11.7	1.44	10.7	1.42	9.7	1.05	-		-		-		
452	4400	11660		10938		10114		9375		8516		7539		6000		-		-		-		
		17.2	1.31	15.3	1.41	13.5	1.49	13.0	1.55	12.8	1.61	11.9	1.60	10.9	1.54	-		-		-		
2	470	4576	12124		11438		10645		9921		9122		8303		7148		3990		-		-	
			18.2	1.48	16.4	1.58	14.7	1.66	14.0	1.73	13.8	1.79	13.2	1.82	12.2	1.78	11.2	1.32	-		-	
	480	4673	12382		11715		10939		10220		9455		8655		7602		5547		-		-	
			18.8	1.57	17.1	1.68	15.4	1.76	14.6	1.83	14.4	1.90	13.9	1.93	13.0	1.91	12.0	1.66	-		-	
498	4848	12847		12212		11463		10755		10049		9272		8381		7142		-		-		
		19.9	1.76	18.4	1.88	16.7	1.95	15.7	2.03	15.5	2.10	15.3	2.15	14.4	2.15	13.3	2.10	-		-		

LC40BC | BELT DRIVE

HP	RPM	Tip Speed FPM	0.000" SP		0.125" SP		0.250" SP		0.375" SP		0.500" SP		0.625" SP		0.750" SP		0.875" SP		1.000" SP		1.250" SP			
			CFM		CFM		CFM		CFM		CFM		CFM		CFM		CFM		CFM		CFM		CFM	
			Sones	BHP	Sones	BHP	Sones	BHP	Sones	BHP	Sones	BHP	Sones	BHP	Sones	BHP	Sones	BHP	Sones	BHP	Sones	BHP	Sones	BHP
3	520	5062	13414		12816		12099		11402		10763		10015		9280		8279		6711		-			
			22.0	2.00	20.0	2.13	18.3	2.20	17.0	2.29	16.9	2.36	16.7	2.44	16.2	2.46	15.2	2.43	14.3	2.29	-			
	540	5257	13930		13360		12673		11985		11374		10682		9969		9143		8093		-			
			23.0	2.24	21.0	2.38	19.6	2.44	18.3	2.55	18.1	2.62	18.0	2.70	17.7	2.75	16.9	2.74	15.9	2.70	-			
	555	5403	14317		13762		13101		12429		11824		11177		10478		9778		8811		-			
			24.0	2.43	22.0	2.58	21.0	2.64	19.4	2.75	18.9	2.83	18.8	2.91	18.7	2.98	18.1	2.99	17.2	2.95	-			
	572	5569	14756		14217		13583		12931		12329		11731		11050		10381		9548		6400			
			25.0	2.66	23.0	2.81	22.0	2.89	21.0	2.99	20.0	3.08	19.9	3.16	19.8	3.24	19.3	3.27	18.6	3.25	16.6	2.75		
5	600	5841	15478		14965		14372		13751		13154		12604		11981		11335		10700		8824			
			27.0	3.08	25.0	3.23	24.0	3.32	23.0	3.41	22.0	3.52	22.0	3.60	22.0	3.69	22.0	3.76	21.0	3.78	19.2	3.69		
	620	6036	15994		15497		14933		14332		13736		13204		12636		12008		11390		9829			
			29.0	3.39	27.0	3.55	26.0	3.65	25.0	3.74	24.0	3.86	23.0	3.95	23.0	4.03	23.0	4.12	23.0	4.16	21.0	4.11		
	640	6231	16510		16029		15491		14909		14326		13799		13283		12675		12070		10696			
			31.0	3.73	29.0	3.90	28.0	4.01	26.0	4.09	25.0	4.22	25.0	4.31	25.0	4.40	25.0	4.49	25.0	4.56	23.0	4.56		
	679	6610	17516		17063		16573		16024		15475		14945		14459		13951		13378		12246			
			35.0	4.46	33.0	4.63	32.0	4.77	30.0	4.84	29.0	4.97	28.0	5.09	28.0	5.18	28.0	5.28	28.0	5.37	27.0	5.47		

Performance certified is for installation type A: Free Inlet, Free Outlet. Power rating (BHP) does not include transmission losses. Selection software automatically calculates transmission losses when selecting equipment. The sound ratings shown are for loudness values in fan sones at 5'0" (1.5m) in a hemispherical free field calculated per AMCA International Standard 301. Values shown are for installation Type A: free inlet hemispherical sone levels. Performance ratings include the effects of screen in the airstream.

PENNBARRY PRODUCT SOLUTIONS



Commercial

- Roof & wall exhaust centrifugal fans
- Ceiling, wall, & inline centrifugal fans
- Roof supply centrifugal fans
- Square & round centrifugal fans
- Wall mounted axial fans
- Hooded roof axial fans
- Upblast roof axial fans
- Gravity ventilators
- Roof curbs



Industrial

- Freestanding centrifugal fans
- Industrial & material handling fans
- Tubular centrifugal inline fans
- Mixed flow centrifugal fans
- Plug & plenum fans
- Wall mounted propeller fans
- Tube axial fans
- Vane axial fans
- Bifurcator fans
- Lab exhaust



Kitchen ventilation

- Make-up air units
- Exhaust fans



Energy recovery

- Outdoor units
- Indoor units

PennBarry is proud to be your preferred manufacturer of commercial and industrial fans and blowers. Learn how PennBarry can assist you in your next application by contacting your PennBarry Representative or visiting us on the web at www.pennbarry.com

PennBarry | www.pennbarry.com | pennbarrysales@pennbarry.com | Tel 972 212 4700 | Fax 972 212 4702

PennBarry reserves the right to make changes at any time, without notice, to models, construction, specifications, options and availability. This document illustrates the appearance of PennBarry products at the time of publication. View the latest updates on the PennBarry website.

© 2018 PennBarry. All rights reserved. DYNAFAN SEPTEMBER 2018.



PENNBARRY™