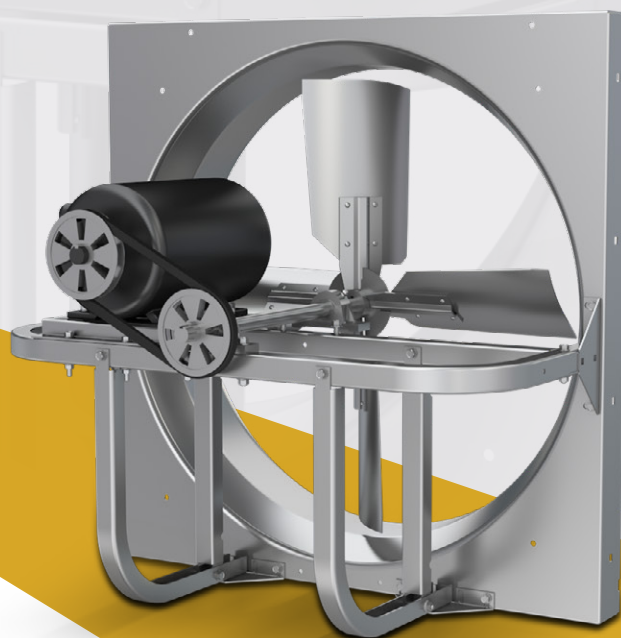


BREEZEWAY

Wall Mounted Propeller Fans

TECHNICAL SPECIFICATIONS



PENNBARRY™

BULLETIN BZW18

TABLE OF CONTENTS

INTRODUCTION	3-4
CERTIFICATIONS & LISTINGS	5
MOTOR AVAILABILITY	6
P-SERIES DIRECT DRIVE	7-8
BREEZEX BX DIRECT DRIVE	9
BC DIRECT DRIVE	10
BELT DRIVE PERFORMANCE DATA	11
BLL24 BELT DRIVE	12-13
BLL30 BELT DRIVE	14-15
BLL36 BELT DRIVE	16-17
BHM24B BELT DRIVE	18
BHM30B BELT DRIVE	19
BHM36B BELT DRIVE	20
BHM42B BELT DRIVE	21-22
BHM48B BELT DRIVE	23
BHH24B BELT DRIVE	24
BHH30B BELT DRIVE	25
BHH36B BELT DRIVE	26
BHH42B BELT DRIVE	27
BHH48B BELT DRIVE	28
BHH54B BELT DRIVE	29-30
BHH60B BELT DRIVE	31-32
BCH24 BELT DRIVE	33-34
BCH30 BELT DRIVE	35-36
BCH36 BELT DRIVE	37-38
BCH42 BELT DRIVE	39-40
BCH48 BELT DRIVE	41-42
BCH54 BELT DRIVE	43-44
BCH60 BELT DRIVE	45-46

INTRODUCTION

Breezeway Series Wall Mounted Propeller Fans

The Breezeway propeller fan line provides a variety of solutions to address the needs of wall mounted exhaust and ventilation applications such as garages, factories, warehouses, and other relatively clean air applications.

Whether steel or cast aluminum, all propellers in the Breezeway product line are statically and dynamically balanced to AMCA Standard 204-96, Balance Quality and Vibration Levels for Fans, to ensure quiet and reliable operation.

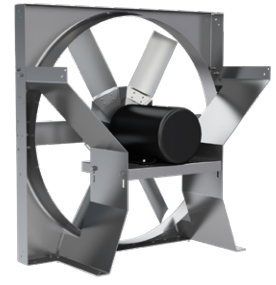
Breezeway fans offer one of the broadest motor selections in the industry. All fans are fully assembled and factory tested prior to shipping; belt drive models are pre-set to the specified RPM.



P-Series



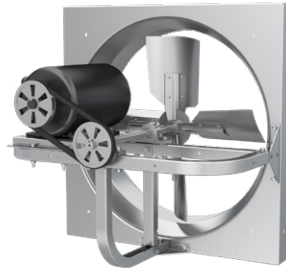
Breezex (BX)



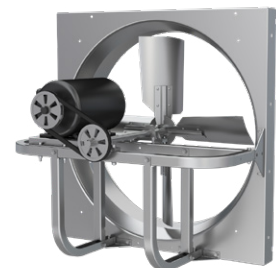
BC-Series



BLL-Series



BHM-Series



BHH-Series



BCH-Series

INTRODUCTION

BREEZEWAY DIRECT DRIVE SERIES

P-Series

- Static pressure up to 0.625 in. wg.
- Flow capacity up to 6,562 CFM.
- Exhaust or supply in light-duty applications.
- Stamped aluminum propeller with steel hub, zinc-coated wire guard/power assembly mounted on RIS vibration isolators attached to a steel venturi panel.
- Available sizes from 10" to 24".

Breezex (BX)

- Static pressure up to 0.375 in. wg.
- Flow capacity up to 4,720 CFM.
- Exhaust or supply in light-duty applications.
- Field reversible fan.
- Stamped aluminum propeller with steel hub, a fabricated power assembly and steel venturi panel.
- Base-mounted TE type motors.
- Explosion proof motors with less reversing switch.
- Available sizes from 10" to 24"

BC-Series

- Static pressure up to 0.75 in. wg.
- Flow capacity up to 43,437 CFM.
- Exhaust or supply in light-duty applications.
- Available sizes from 24" to 54".

BREEZEWAY BELT DRIVE SERIES

BLL-Series

- Static pressure up to 0.5 in. wg.
- Flow capacity up to 13,774 CFM.
- Exhaust in light-duty applications.
- Fabricated steel propeller, fabricated steel power assembly, and a steel venturi panel.
- Available sizes in 24" to 36".

BHM-Series

- Static pressure up to 0.5 in. wg.
- Flow capacity up to 34,446 CFM.
- Exhaust or supply in medium-duty applications.
- High-efficiency fabricated steel propeller, galvanized power assembly, and a fully developed venturi, integrally spun into a galvanized panel.
- Available size from 24" to 48".

BHH-Series

- Static pressure up to 1.0 in. wg.
- Flow capacity up to 58,413 CFM.
- Exhaust or supply in heavy-duty applications.
- High-efficiency fabricated steel propeller, a robust galvanized power assembly that can handle high horsepower motors, and a fully developed venturi integrally spun into a galvanized panel.
- Available sizes from 24" to 60".

BCH-Series

- Static pressure up to 1.0 in. wg.
- Flow capacity up to 68,172 CFM.
- Exhaust or supply in heavy-duty applications.
- High-efficiency cast aluminum airfoil propeller, a fabricated steel power assembly and a heavy gauge venturi panel.
- Available sizes from 24" to 60".

CERTIFICATIONS & LISTINGS



Breezeway Direct & Belt Drive Fans

PennBarry certifies that the Breezeway direct drive and belt drive models shown on pages 7 and 12-46 are licensed to bear the AMCA seal. The ratings shown are based on tests and procedures performed in accordance with AMCA publication 211 and AMCA publication 311 and comply with the requirements of the AMCA Certified Ratings Program.



cULus Certification

Breezeway fans (models P, BLL, BHM, BHH and BCH) carry the UL label, UL705 (ZACT/ ZACT7), file #E28413.

MOTOR AVAILABILITY

BC Direct Drive Motor Availability

The following chart lists the various motor options available for each of the direct drive fan models. Once a fan model is selected, this chart can be used to determine if a suitable motor is available. (If not, another selection may have to be made from the fan performance charts). Look under the nominal RPM heading to determine which fans have 2-speed and 3-speed motors. None of the BC motors come standard with more than one speed.

Model	Nominal HP	RPM				Single Phase			Three Phase				
		690 M	860 W	1140 T	1725 Q	OPEN 115/230V	TE	EXP	OPEN	TE	EXP	2S1W	2S2W
BC24W1	1/2	-	X	-	-	Yes	Yes	-	Yes	-	-	-	-
BC24W2	1/2	-	X	-	-	Yes	-	-	Yes	Yes	-	-	-
BC24T1	1/2	-	-	X	-	Yes	Yes	Yes	Yes	Yes	Yes	-	-
BC24T2	1	-	-	X	-	Yes	Yes	Yes	Yes	Yes	Yes	Yes	Yes
BC24Q	1 1/2	-	-	-	X	Yes	Yes	Yes	Yes	Yes	Yes	Yes	Yes
BC30W1	1/3	-	X	-	-	Yes	-	-	Yes	Yes	-	-	-
BC30W2	1/2	-	X	-	-	Yes	-	-	Yes	Yes	-	-	-
BC30W3	3/4	-	X	-	-	-	-	-	Yes	Yes	-	-	-
BC30T1	1	-	-	X	-	Yes	Yes	Yes	Yes	Yes	Yes	Yes	Yes
BC30T2	1 1/2	-	-	X	-	Yes	Yes	Yes	Yes	Yes	Yes	Yes	Yes
BC30Q1	3	-	-	-	X	Yes	Yes	Yes	Yes	Yes	Yes	Yes	Yes
BC30Q2	5	-	-	-	X	-	Yes	Yes	Yes	Yes	Yes	Yes	Yes
BC36W1	1	-	X	-	-	-	-	-	Yes	Yes	-	-	-
BC36W2	1 1/2	-	X	-	-	-	-	-	Yes	Yes	-	-	-
BC36T1	3	-	-	X	-	Yes	Yes	-	Yes	Yes	Yes	Yes	Yes
BC36Q	7 1/2	-	-	-	X	-	Yes	-	Yes	Yes	Yes	Yes	Yes
BC42W1	2	-	X	-	-	-	-	-	Yes	Yes	-	-	-
BC42W2	5	-	X	-	-	-	-	-	Yes	Yes	Yes	-	-
BC42T	5	-	-	X	-	-	Yes	-	Yes	Yes	-	Yes	Yes
BC48W1	3	-	X	-	-	-	-	-	Yes	Yes	Yes	-	-
BC48W2	5	-	X	-	-	-	-	-	Yes	Yes	-	-	-
BC48W3	7 1/2	-	X	-	-	-	-	-	Yes	Yes	-	-	-
BC48T1	7 1/2	-	-	X	-	-	-	-	Yes	Yes	-	Yes	Yes
BC48T2	10	-	-	X	-	-	-	-	Yes	Yes	Yes	Yes	Yes
BC54M	5	X	-	-	-	-	-	-	Yes	Yes	Yes	-	-
BC54W	10	-	X	-	-	-	-	-	Yes	Yes	-	-	-

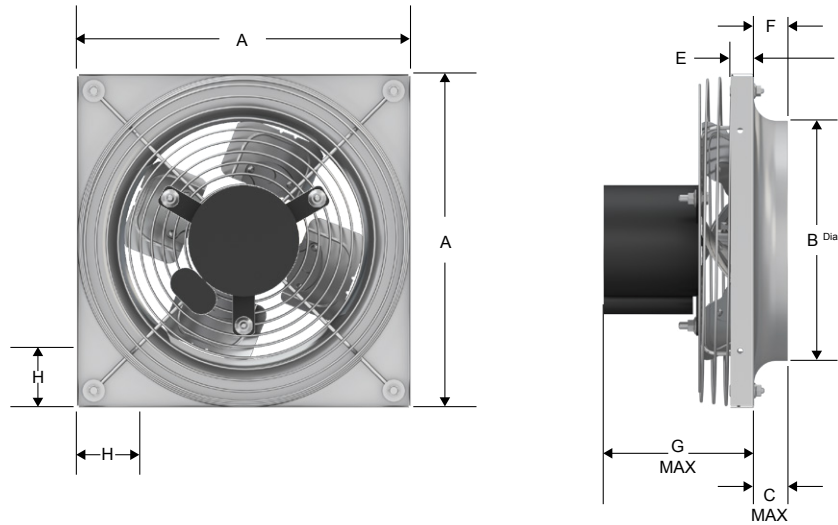
Breezex BX Direct Drive Motor Availability

The following chart lists the various motor options available for each of the direct drive fan models. Once a fan model is selected, this chart can be used to determine if a suitable motor is available. (If not, another selection may have to be made from the fan performance charts).

Model	Nominal HP	RPM		Single Phase		Three Phase	
		1140	1725	TE 115V Only	EXP 115/230V	TE (A)	EXP
BX12Q	1/6	-	X	Yes	Yes	Yes	-
BX14Q	1/6	-	X	Yes	Yes	Yes	-
BX16T	1/6	X	-	Yes	Yes (B)	Yes	-
BX16Q	1/3	-	X	Yes	Yes	Yes	Yes
BX18T	1/4	X	-	Yes	Yes	Yes	-
BX18Q	1/3	-	X	Yes	Yes	Yes	Yes
BX20T	1/4	X	-	Yes	Yes	Yes	-
BX20Q	1/3	-	X	Yes	Yes	Yes	Yes
BX24T	1/3	X	-	Yes	Yes (C)	Yes	Yes
BX24Q	1/2	-	X	Yes	Yes	Yes	Yes

(B) Uses 1/4 HP. (C) Uses 1/2 HP.

P-SERIES | DIRECT DRIVE



P-series Performance

Model	HP	Max Watts	RPM	Tip Speed FPM	0.000" SP		0.100" SP		0.125" SP		0.150" SP		0.200" SP		0.250" SP		0.300" SP		0.375" SP		0.500" SP		0.625" SP	
					CFM	Sones	CFM	Sones	CFM	Sones	CFM	Sones	CFM	Sones	CFM	Sones	CFM	Sones	CFM	Sones	CFM	Sones	CFM	Sones
P10VA	1/30	80	1050	2749	753	4.6	531	7.5	457	7.9	385	7.2	239	6.7	-	-	-	-	-	-	-	-	-	-
P10RA	1/12	115	1550	4058	878	5.8	688	6.5	649	7.3	604	8.5	499	10.8	404	12.5	275	12.9	-	-	-	-	-	-
P12VA	1/12	204	1050	3299	1354	10.7	1176	9.5	1090	9.9	959	10.5	755	11.1	615	10.1	240	10	-	-	-	-	-	-
P12RA	1/7 (1)	174	1550	4869	1489	10.3	1367	9.8	1326	10.1	1281	10.5	1160	11.7	1046	13.2	882	15.5	798	16.9	568	19.6	210	20
P16VA	1/3	463	1050	4398	2546	9.1	2088	8.8	1859	8.7	1699	8.6	1257	8.3	-	-	-	-	-	-	-	-	-	-
P16SA	1/2	550	1300	5445	3143	13.7	2933	14	2856	14.1	2758	14.3	2495	14.6	2244	15	1982	15.3	1671	15.4	-	-	-	-
P16RA	1/2	724	1550	6492	3555	14	3301	14.1	3256	14.1	3211	14.2	3102	14.5	2955	15.3	2736	16.9	2514	18.3	1979	20	1772	21
P16Q1A	3/4	962	1650	6911	3760	16.3	3557	16.6	3508	16.7	3459	16.7	3358	16.9	3256	17.1	3123	17.6	2864	18.9	2369	22	2032	24
P18VA	1/2	522	1050	4948	4210	15.2	3845	15.1	3768	15.1	3661	15.1	3370	15.3	3030	15.1	2719	13.6	2215	13.1	-	-	-	-
P18RA	3/4	1265	1550	7304	5233	20	4971	21	4971	21	4919	21	4787	22	4633	23	4383	25	4029	28	3547	35	3083	34
P20TA	3/4	815	1140	5969	4852	16.2	4449	16.4	4318	16.5	4185	16.7	3898	17.1	3570	17.7	3278	18.4	2717	20	1969	24	1200	25
P24VA	3/4	1117	1050	6597	6562	14.6	6210	14.6	6136	14.7	6063	14.7	5917	14.7	5758	14.9	5576	15.2	5249	15.8	4065	19.3	3654	21

(1) Hp shown is for TE, ODP Hp is 1/4.

Performance certified is for installation Type A: Free Inlet, Free Outlet. Speed (RPM) shown is nominal. Performance is based on actual speed of test. The sound ratings shown are for loudness values in fan sones at 5'0" (1.5m) in a hemispherical free field calculated per AMCA International Standard 301. Values shown are for Installation Type A: free inlet hemispherical sone levels. Performance ratings include the effect of rear guard in the airstream. For models shown on this page, the AMCA Certified Ratings Seal applies to air and sound.

P-series Dimensions

Model	A	B Dia.	C Max.	E	F	G Max.	H
P10	15	10 3/4	2 1/2	1	1 1/4	6 1/2	3/4
P12	17	12 1/4	3 1/4	1	1	7 1/2	1 7/8
P16	22 3/4	16 3/4	3 3/4	1	2 1/4	11 1/4	2 7/8
P18	24 1/4	18 3/4	3 3/4	1	2	9 1/8	3 5/8
P20	26 3/4	20 7/8	3 3/4	1	1 3/4	12 1/2	3 1/4
P24	32 1/4	25	4 1/4	2	2 3/8	12 7/8	4 11/16

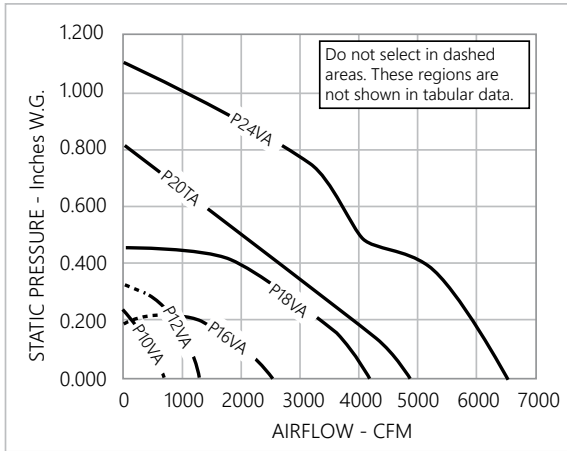
P-SERIES | DIRECT DRIVE

P-Series Fan Curves

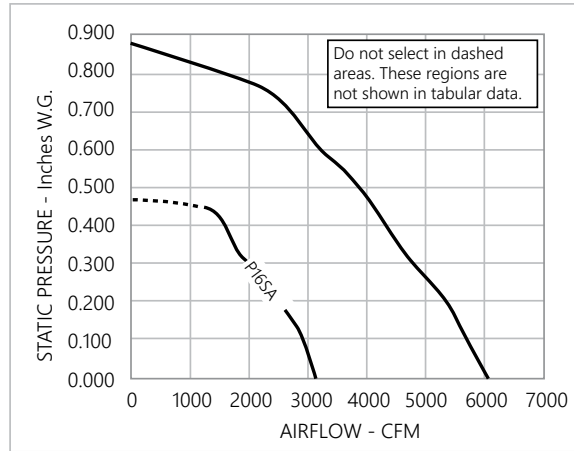
The fan curves illustrated below show the range of capacities available for P-Series direct drive units. Each graph shows the performance of several models at one particular nominal speed. Fan curves provide a quick method for selecting a fan unit based on design point requirements.

The direct drive performance charts provide the tabular data (CFM and static pressure) used to plot the fan curves. In addition, horsepower, tip speed and sones are tabulated. Since sound is normally an important factor in the selection of a fan, an engineer will usually want to select the "slowest" unit which meets CFM and SP requirements. Please refer to the Motor Selection section to make sure the motor you select meets your electrical requirements.

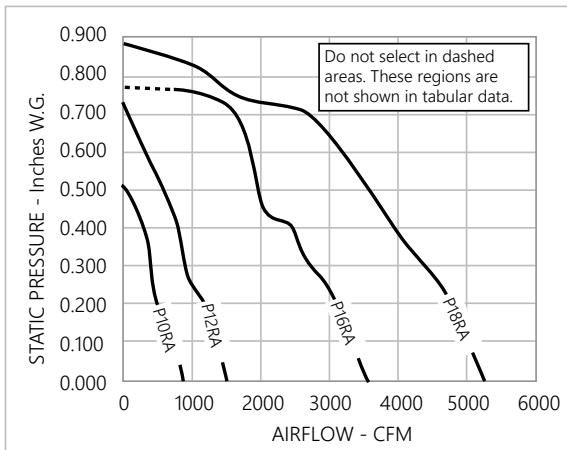
1050/1140 RPM



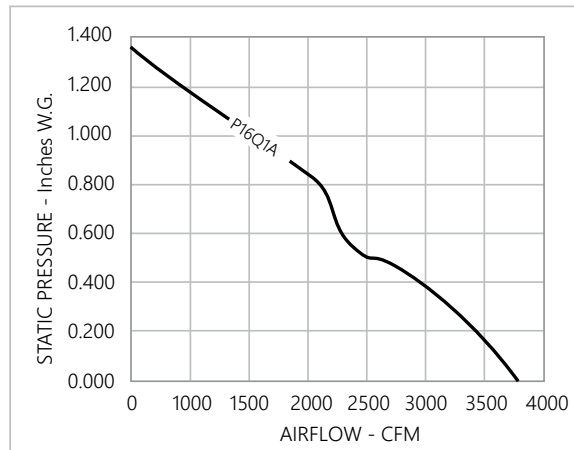
1300 RPM



1550 RPM

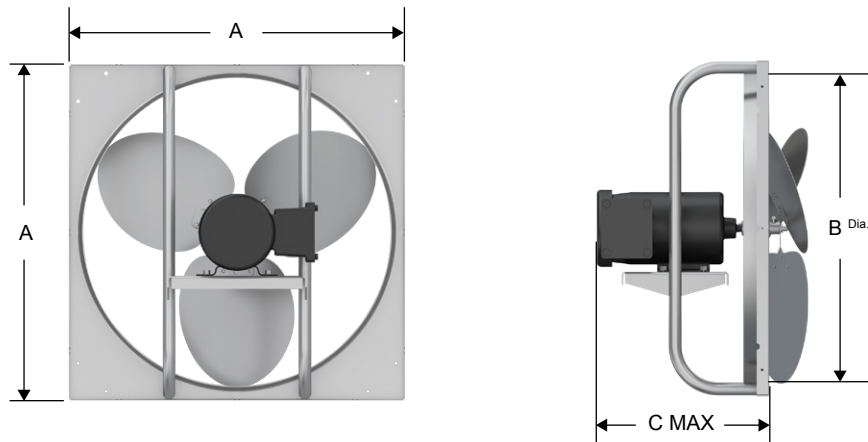


1650 RPM



Note: Breezeway fans are only one component of a total system. As such, fan performance is directly affected by the system. It is critical that system designers determine the actual system loss to ensure that the actual flow is specified in the system design.

BREEZEX BX | DIRECT DRIVE



BX Supply Performance

Model	HP	RPM	Tip Speed FPM	0.000" SP	0.125" SP	0.250" SP	0.375" SP	Sones @ .125"
				CFM	CFM	CFM	CFM	
BX12Q	1/6	1725	5423	1400	1260	1050	805	4.0
BX14Q	1/6	1725	6327	2000	1780	1580	1150	11.0
BX16T	1/6 (1)	1140	4779	2255	1885	1390	650	7.2
BX16Q	1/3	1725	7231	3035	2760	2550	2250	13.0
BX18T	1/4	1140	5376	3100	2670	2100	820	8.2
BX18Q	1/3	1725	8135	3500	3040	2275	1400	12.8
BX20T	1/4	1140	5974	3800	3160	2590	2240	9.3
BX20Q	1/3	1725	9039	3750	3440	3200	2560	14.0
BX24T	1/3 (2)	1140	7168	4720	4540	3855	3000	14.8
BX24Q	1/2	1725	10847	4650	4400	3800	3480	20.0

BX Exhaust Performance

Model	HP	RPM	Tip Speed FPM	0.000" SP	0.125" SP	0.250" SP	0.375" SP	Sones @ .125"
				CFM	CFM	CFM	CFM	
BX12Q	1/6	1725	5423	1125	815	675	530	4.0
BX14Q	1/6	1725	6327	1565	1395	1205	920	11.0
BX16T	1/6 (1)	1140	4779	1995	1520	1000	600	7.2
BX16Q	1/3	1725	7231	2530	2345	1835	1430	13.0
BX18T	1/4	1140	5376	2365	2040	1605	625	8.2
BX18Q	1/3	1725	8135	3000	2480	1980	1285	12.8
BX20T	1/4	1140	5974	2705	2265	2130	1835	9.3
BX20Q	1/3	1725	9039	3070	2835	2540	2245	14.0
BX24T	1/3 (2)	1140	7168	3610	3475	2945	2295	14.8
BX24Q	1/2	1725	10847	3555	3365	2905	2660	20.0

(1) EXP motor 115-230/1 is 1/4 Hp.

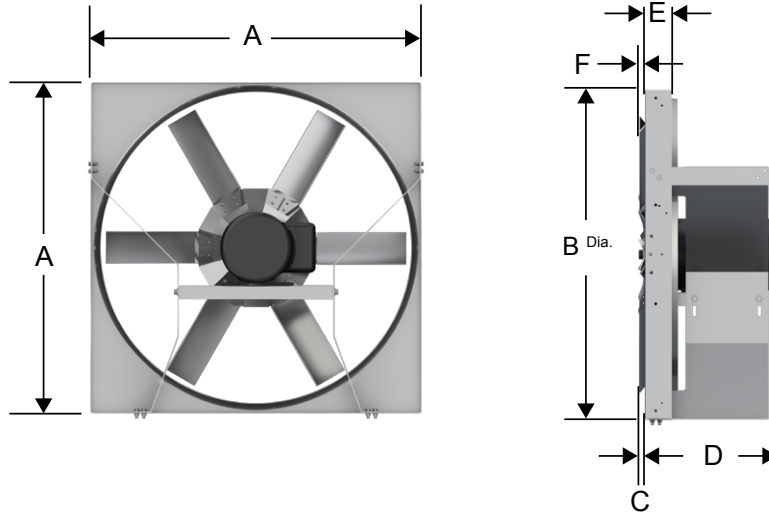
(2) EXP motor 115-230/1 is 1/2 Hp.

BX Exhaust Performance

Model	A Sq.	B Dia.	C Max.
BX12Q	14 1/2	12 3/4	12
BX14Q	16 1/2	14 3/4	12
BX16T	19	16 3/4	12 1/2
BX16Q	19	16 3/4	12 1/2
BX18T	21	18 3/4	12 1/2
BX18Q	21	18 3/4	12 3/4
BX20T	23	20 3/4	13 1/2
BX20Q	23	20 3/4	12 1/2
BX24T	27	24 3/4	13 1/2
BX24Q	27	24 3/4	13 1/8

All dimensions are in inches.

BC | DIRECT DRIVE



BC Performance

Model	HP	RPM	Tip Speed FPM	0.125" SP		0.250" SP		0.375" SP		0.500" SP		0.750" SP		Sones @ .125"
				CFM	BHP	CFM	BHP	CFM	BHP	CFM	BHP	CFM	BHP	
BC24W1	1/2	860	5404	3153	0.15	1988	0.16	1097	0.18	-	-	-	-	13.1
BC24W2	1/2	860	5404	4444	0.40	2306	0.40	-	-	-	-	-	-	13.9
BC24T1	1/2	1140	7163	4718	0.33	3957	36.00	3054	0.36	2273	0.38	-	-	18.9
BC24T2	1	1140	7163	7025	0.95	5500	0.94	3800	0.94	2310	0.93	-	-	20.0
BC24Q	1 1/2	1750	10996	7725	1.15	7380	1.19	6995	1.25	6500	1.28	5445	1.31	33.0
BC30W1	1/3	860	6754	5641	0.29	3660	0.31	-	-	-	-	-	-	14.4
BC30W2	1/2	860	6754	7624	0.41	6372	0.44	4084	0.43	1661	0.42	-	-	15.9
BC30W3	3/4	860	6754	9034	0.64	7897	0.66	6430	0.67	3238	0.67	-	-	16.8
BC30T1	1	1140	8954	10717	0.90	9884	0.97	8969	1.01	7767	1.04	3775	0.97	23.0
BC30T2	1 1/2	1140	8954	12606	1.48	11771	1.50	10922	1.52	10022	1.54	7017	1.51	24.0
BC30Q1	3	1750	13744	13643	2.28	12782	2.34	12157	2.39	11581	2.47	10164	2.59	36.0
BC30Q2	5	1750	13744	17110	3.04	16625	3.19	16140	3.34	15600	3.45	14405	3.58	40.0
BC36W1	1	860	8105	11099	0.88	9337	0.92	5963	0.95	2525	1.09	-	-	19.0
BC36W2	1 1/2	860	8105	13248	1.25	11249	1.34	6912	1.28	-	-	-	-	21.0
BC36T1	3	1140	10744	18526	2.85	17232	2.94	15820	3.06	13680	3.12	6422	2.99	31.0
BC36Q	7 1/2	1750	16496	25430	7.13	24372	7.21	23476	7.30	22719	7.40	21040	7.58	48.0
BC42W1	2	860	9456	20033	1.94	18114	2.01	16008	2.06	12931	2.14	-	-	24.0
BC42W2	5	860	9456	23083	3.58	21837	3.70	20394	3.75	18525	3.76	13396	3.75	30.0
BC42T	5	1140	12535	27644	4.38	26201	4.56	24750	4.67	23297	4.70	19880	4.87	35.0
BC48W1	3	860	10807	25547	2.74	23003	2.85	20415	2.89	17287	2.90	8499	2.88	31.0
BC48W2	5	860	10807	30186	3.98	27927	4.08	25555	4.17	22891	4.26	10571	4.47	34.0
BC48W3	7 1/2	860	10807	33416	5.63	31631	5.73	29705	5.83	27640	5.90	22719	5.80	38.0
BC48T1	7 1/2	1140	14326	35342	6.23	33384	6.44	31458	6.59	29638	6.67	25448	6.75	45.0
BC48T2	10	1140	14326	41224	9.18	39622	9.31	37948	9.43	36214	9.56	32477	9.79	48.0
BC54M	5	690	9755	34071	3.99	31816	4.04	29388	4.06	25491	4.12	12345	3.59	30.0
BC54W	10	860	12158	43437	7.68	41645	7.76	39842	7.81	38091	7.83	32441	7.99	41.0

BC Dimensions

Model	A Sq.	B Dia.	C Max.	D Max.	E	F
BC24	28	25	4 1/2	15	3 1/8	3
BC30	34	31	4 1/2	16	2 5/8	3
BC36	40	37	5	16	3	4 3/4
5BC42	46	43	5	18	3 13/16	3 1/2
BC48	54	49	5	23	2 3/4	3 1/2
BC54	60	55	5	24	3	5

All dimensions are in inches.

BELT DRIVE PERFORMANCE DATA

Performance Data

The belt drive models shown on the following pages have sizes and capacities ranging from below 300 CFM to above 67,200 CFM, with static pressures from 0" to above 1". All models are available with a wide range of horsepower sizes and RPM's.

The data provided for each belt drive model includes:

- Fan Curve Graph
- Performance Chart

Each curve graphically displays the range of capacities available for each model, in most cases beyond the specifics shown in the tabular data. The maximum performance afforded by each horsepower is indicated by dashed lines and the RPM is indicated by solid lines.

Some models have graphs that show both shaded and unshaded areas. Selection should be made from the unshaded area only.

The highest RPM shown for a specific horsepower in the tabular data is the maximum speed that for any point along the performance curve, the BHP will not exceed the available horsepower.

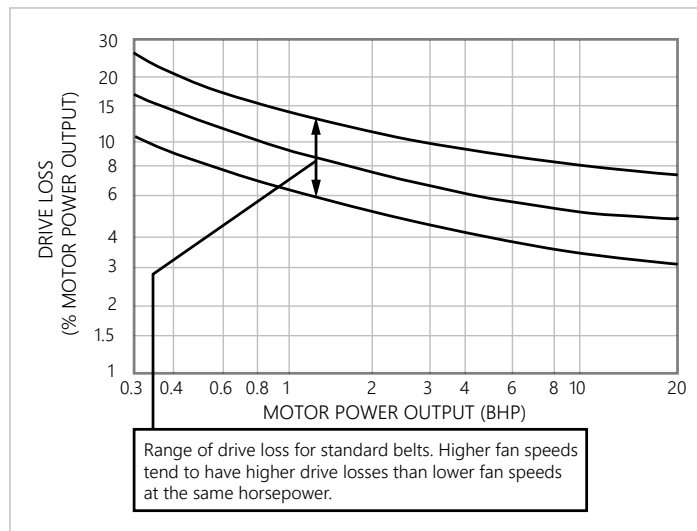
It is important to note that, while it is common industry-wide practice to exceed a "nominal" horsepower by using a motor's service factor, PennBarry uses a conservative portion of the service factor, allowing half to remain a true "safety" factor.

Note: Breezeway fans are only one component of a total system. As such, performance is directly affected by the system. It is critical that system designers determine actual system losses to ensure that the actual flow is specified in the system design

Belt Drive Losses

The AMCA Review Committee has developed the chart shown below for the purpose of estimating belt drive losses. To calculate total BHP (including drive losses): Find the BHP of your operating point on the x-axis on the graph below. Follow the vertical line to the curves indicating the range of drive losses. Look at the y-axis on the left and find the drive loss percentage. Calculate the total BHP by adding the drive loss to the operating point BHP. For BHP's below 0.3, use 30%.

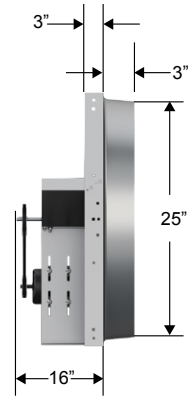
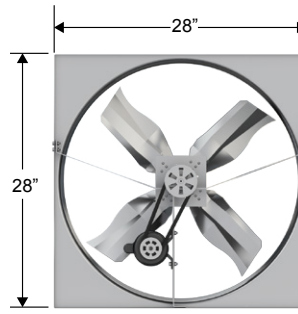
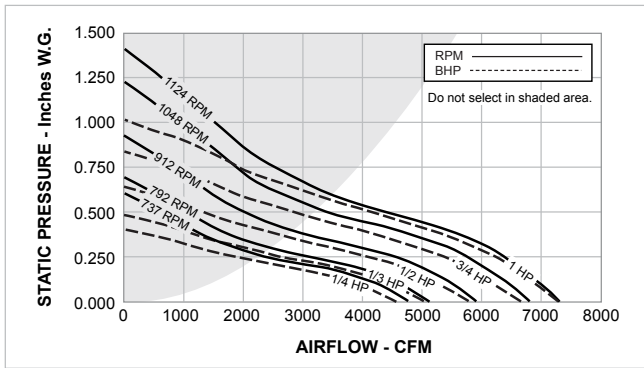
Drive Loss Reference Chart



For totally enclosed, explosion proof, multi-speed and all 1.0 Service Factor motors, fan BHP plus drive losses should not exceed motor rated HP.

Graph reprinted from AMCA publication 203, with the express written permission from the Air Movement and Control Association, Inc., 30 West University Drive, Arlington Heights, IL 60004-1983.

BLL24 | BELT DRIVE



Max. Motor Frame Size = 56	Peak BHP = $(RPM/941)^3$	Max. RPM = 1124 (1 HP)
----------------------------	--------------------------	------------------------

HP	RPM	Tip Speed FPM	0.000" SP		0.100" SP		0.125" SP		0.150" SP		0.200" SP		0.250" SP		0.300" SP		0.375" SP		0.500" SP	
			CFM		CFM		CFM		CFM		CFM		CFM		CFM		CFM		CFM	
			Sones	BHP	Sones	BHP	Sones	BHP	Sones	BHP	Sones	BHP	Sones	BHP	Sones	BHP	Sones	BHP	Sones	BHP
1/4	470	2953	3043		1541		-		-		-		-		-		-		-	
			6.3	0.07	6.3	0.08	-		-		-		-		-		-		-	
	530	3330	3431		2313		1786		-		-		-		-		-		-	
			7.8	0.11	7.5	0.11	7.7	0.11	-		-		-		-		-		-	
	570	3581	3690		2762		2312		1814		-		-		-		-		-	
			8.9	0.13	8.7	0.14	8.7	0.14	8.9	0.14	-		-		-		-		-	
	630	3958	4078		3345		3009		2601		-		-		-		-		-	
			10.7	0.18	10.7	0.19	10.7	0.19	10.7	0.19	-		-		-		-		-	
690	4335	4467		3837		3620		3295		2527		-		-		-		-		
		14.0	0.23	13.4	0.24	13.3	0.25	13.2	0.25	13.5	0.25	-		-		-		-		
720	4524	4661		4078		3870		3618		2912		-		-		-		-		
		14.9	0.26	14.0	0.28	13.9	0.28	13.8	0.28	13.9	0.28	-		-		-		-		
737	4631	4771		4209		4010		3798		3120		2353		-		-		-		
		15.5	0.28	14.4	0.30	14.3	0.30	14.2	0.30	14.2	0.30	14.7	0.30	-		-		-		
1/3	750	4712	4855		4307		4116		3916		3277		2532		-		-		-	
			16.0	0.30	14.8	0.31	14.6	0.31	14.6	0.32	14.5	0.32	15.0	0.32	-		-		-	
	770	4838	4985		4457		4278		4084		3510		2806		-		-		-	
			16.4	0.32	15.3	0.34	15.1	0.34	15.1	0.34	15.0	0.34	15.4	0.34	-		-		-	
792	4976	5127		4620		4456		4266		3753		3095		-		-		-		
		16.9	0.35	15.9	0.36	15.7	0.37	15.6	0.37	15.6	0.37	15.9	0.37	-		-		-		
1/2	800	5027	5179		4678		4520		4332		3840		3194		2502		-		-	
			17.1	0.36	16.1	0.37	15.9	0.38	15.8	0.38	15.8	0.39	16.1	0.38	16.6	0.39	-		-	
	825	5184	5341		4855		4714		4537		4110		3500		2821		-		-	
			18.0	0.40	16.9	0.41	16.7	0.41	16.5	0.42	16.5	0.42	16.7	0.42	17.2	0.42	-		-	
	850	5341	5503		5031		4901		4739		4375		3801		3161		-		-	
			19.6	0.43	18.3	0.45	17.9	0.45	17.5	0.46	17.3	0.46	17.4	0.46	17.8	0.46	-		-	
	875	5498	5665		5206		5088		4940		4598		4081		3482		-		-	
			21.0	0.47	19.5	0.49	19.1	0.49	18.7	0.50	18.1	0.50	17.9	0.51	18.2	0.05	-		-	
900	5655	5827		5381		5270		5136		4806		4354		3789		2855		-		
		22.0	0.51	20.0	0.53	19.9	0.53	19.6	0.54	19.0	0.54	18.7	0.55	18.8	0.55	19.4	0.55	-		
912	5730	5904		5465		5355		5226		4906		4484		3934		3010		-		
		22.0	0.53	21.0	0.55	20.0	0.55	20.0	0.56	19.4	0.57	19.1	0.57	19.1	0.57	19.6	0.57	-		

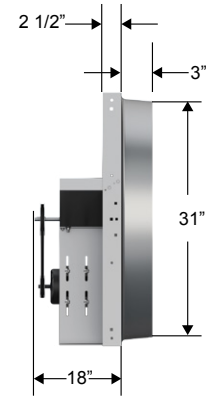
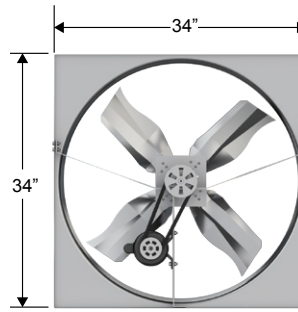
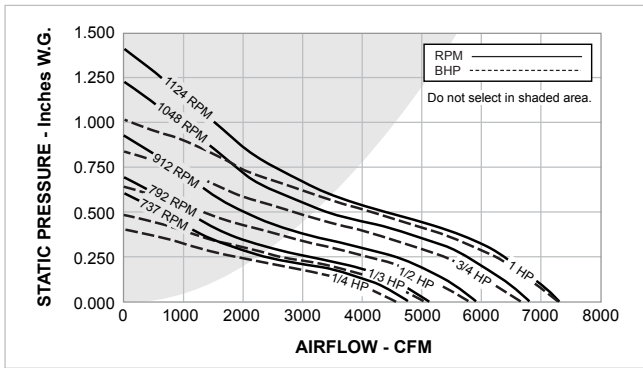
Table continued on next page.

BLL24 | BELT DRIVE

HP	RPM	Tip Speed FPM	0.000" SP		0.100" SP		0.125" SP		0.150" SP		0.200" SP		0.250" SP		0.300" SP		0.375" SP		0.500" SP	
			CFM		CFM		CFM		CFM		CFM		CFM		CFM		CFM		CFM	
			Sones	BHP	Sones	BHP	Sones	BHP	Sones	BHP	Sones	BHP	Sones	BHP	Sones	BHP	Sones	BHP	Sones	BHP
3/4	920	5781	5956		5520		5411		5286		4972		4570		4031		3121		-	
			22.0	0.55	21.0	0.56	21.0	0.57	20.0	0.57	19.7	0.58	19.4	0.59	19.4	0.59	19.7	0.59	-	
	945	5781	5956		5520		5411		5286		4972		4570		4031		3121		-	
			23.0	0.59	22.0	0.61	21.0	0.61	21.0	0.62	21.0	0.63	20.0	0.63	20.0	0.64	20.0	0.63	-	
	970	6095	6280		5866		5763		5659		5380		5071		4596		3791		-	
			23.0	0.64	22.0	0.66	22.0	0.66	21.0	0.67	21.0	0.68	21.0	0.68	21.0	0.69	21.0	0.68	-	
	995	6095	6280		5866		5763		5659		5380		5071		4596		3791		-	
			23.0	0.69	22.0	0.71	22.0	0.72	22.0	0.72	21.0	0.73	21.0	0.74	21.0	0.74	22.0	0.74	-	
	1020	6409	6604		6210		6112		6014		5781		5488		5136		4403		-	
			24.0	0.75	23.0	0.76	23.0	0.77	22.0	0.77	22.0	0.78	22.0	0.79	22.0	0.80	23.0	0.80	-	
	1048	6585	6785		6402		6306		6211		5996		5718		5432		4735		3405	
			25.0	0.81	24.0	0.83	24.0	0.83	24.0	0.84	23.0	0.85	23.0	0.86	23.0	0.86	24.0	0.87	24.0	0.87
1	1060	6660	6863		6484		6390		6295		6086		5816		5533		4869		3572	
			26.0	0.84	25.0	0.86	25.0	0.86	25.0	0.87	24.0	0.88	24.0	0.88	24.0	0.89	24.0	0.90	25.0	0.90
	1090	6849	7057		6689		6597		6505		6311		6059		5784		5199		3982	
			29.0	0.91	28.0	0.93	27.0	0.94	27.0	0.94	26.0	0.95	25.0	0.96	25.0	0.97	25.0	0.98	26.0	0.97
	1110	6974	7186		6825		6735		6644		6459		6221		5951		5416		4251	
			30.0	0.96	29.0	0.98	28.0	0.99	28.0	0.99	27.0	1.00	26.0	1.01	26.0	1.02	26.0	1.03	27.0	1.02
	1124	7062	7277		6920		6831		6742		6563		6333		6066		5567		4426	
			31.0	1.00	29.0	1.02	29.0	1.02	29.0	1.03	28.0	1.04	27.0	1.05	27.0	1.06	27.0	1.07	27.0	1.07

Performance certified is for installation type A: free inlet, free outlet. Power rating (BHP) does not include transmission losses. The sound ratings shown are for loudness values in fan sonas at 5'0" (1.5m) in a hemispherical free field calculated per AMCA International Standard 301. Values shown are for installation Type A: Free inlet hemispherical sone levels. Performance ratings do not include the effects of appurtenances.

BLL30 | BELT DRIVE



Max. Motor Frame Size = 56	Peak BHP = $(RPM/741)^3$	Max. RPM = 826 (1 HP)
----------------------------	--------------------------	-----------------------

HP	RPM	Tip Speed FPM	0.000" SP		0.100" SP		0.125" SP		0.150" SP		0.200" SP		0.250" SP		0.300" SP		0.375" SP		0.500" SP	
			CFM		CFM		CFM		CFM		CFM		CFM		CFM		CFM		CFM	
			Sones	BHP	Sones	BHP	Sones	BHP	Sones	BHP	Sones	BHP	Sones	BHP	Sones	BHP	Sones	BHP	Sones	BHP
1/4	420	3299	5331		2695		1694		1139		-		-		-		-		-	
			11.3	0.13	10.9	0.13	11.3	0.14	11.3	0.15	-	-	-	-	-	-	-	-	-	-
	445	3495	5648		3612		2296		1581		-		-		-		-		-	
			12.5	0.16	11.0	0.16	12.5	0.16	12.5	0.17	-	-	-	-	-	-	-	-	-	
	460	3613	5838		3952		2684		1854		-		-		-		-		-	
			13.3	0.17	11.6	0.18	13.3	0.17	13.3	0.18	-	-	-	-	-	-	-	-	-	
	475	3731	6029		4265		3217		2212		-		-		-		-		-	
			14.2	0.19	12.3	0.20	13.3	0.19	14.2	0.20	-	-	-	-	-	-	-	-	-	
	490	3848	6219		4565		3861		2576		1404		-		-		-		-	
			14.9	0.21	12.9	0.23	13.4	0.22	14.9	0.21	14.9	0.23	-	-	-	-	-	-	-	
505	3966	6409		4861		4211		2978		1665		-		-		-		-		
		15.5	0.23	13.1	0.25	13.7	0.24	15.5	0.23	15.5	0.25	-	-	-	-	-	-	-		
520	4084	6600		5127		4543		3508		1939		-		-		-		-		
		16.1	0.25	13.4	0.27	14.1	0.27	15.1	0.25	16.1	0.27	-	-	-	-	-	-	-		
531	4170	6739		5320		4767		4029		2138		-		-		-		-		
		16.6	0.26	13.6	0.29	14.5	0.29	15.0	0.27	16.6	0.28	-	-	-	-	-	-	-		
1/3	540	4241	6854		5476		4948		4306		2344		1431		-		-		-	
			17.1	0.28	13.8	0.30	14.8	0.30	15.3	0.29	17.1	0.29	17.1	0.31	-	-	-	-		
	560	4398	7108		5819		5344		4765		2835		1782		-		-		-	
18.1			0.31	14.5	0.34	15.5	0.34	16.1	0.33	18.1	0.32	18.1	0.34	-	-	-	-			
572	4492	7260		6007		5567		5025		3123		1995		-		-		-		
		18.8	0.33	15.0	0.36	15.9	0.36	16.6	0.36	18.8	0.33	18.8	0.36	-	-	-	-			
1/2	590	4634	7488		6286		5884		5389		3676		2324		1540		-		-	
			20.0	0.36	15.9	0.39	16.7	0.39	17.6	0.39	19.6	0.37	20.0	0.38	20.0	0.41	-	-		
	610	4791	7742		6594		6231		5787		4504		2776		1893		-		-	
			21.5	0.40	17.1	0.43	17.8	0.44	18.8	0.43	19.9	0.41	21.5	0.42	21.5	0.44	-	-		
	630	4948	7996		6899		6567		6158		5125		3264		2249		-		-	
			22.4	0.44	17.4	0.47	18.1	0.48	19.1	0.48	20.3	0.47	22.4	0.45	22.4	0.48	-	-		
645	5066	8186		7126		6801		6422		5466		3621		2522		-		-		
		23.1	0.47	17.9	0.50	18.5	0.51	19.3	0.51	20.6	0.51	23.1	0.48	23.1	0.50	-	-			
657	5160	8339		7299		6988		6632		5732		4020		2762		1675		-		
		23.7	0.50	18.5	0.53	18.9	0.54	19.6	0.54	21.0	0.54	23.4	0.51	23.7	0.53	23.7	0.57	-		

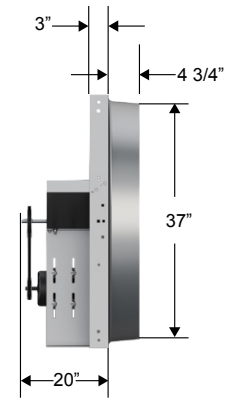
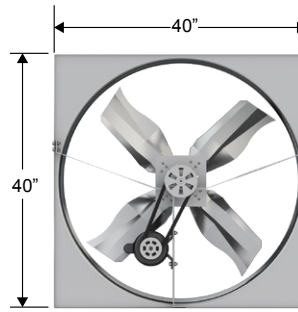
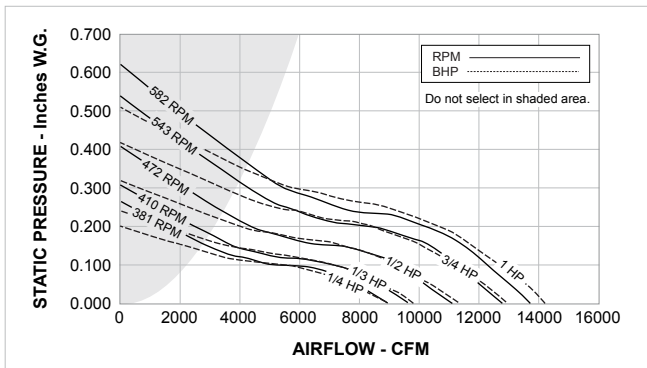
Table continued on next page.

BLL30 | BELT DRIVE

HP	RPM	Tip Speed FPM	0.000" SP		0.100" SP		0.125" SP		0.150" SP		0.200" SP		0.250" SP		0.300" SP		0.375" SP		0.500" SP	
			CFM		CFM		CFM		CFM		CFM		CFM		CFM		CFM		CFM	
			Sones	BHP	Sones	BHP	Sones	BHP	Sones	BHP	Sones	BHP	Sones	BHP	Sones	BHP	Sones	BHP	Sones	BHP
3/4	660	5184	8377		7341		7034		6684		5793		4123		2837		1729		-	
			23.8	0.51	18.6	0.53	19.0	0.54	19.7	0.55	21.1	0.55	23.3	0.51	23.8	0.53	23.8	0.57	-	
	675	5301	8567		7551		7265		6943		6097		4704		3208		1994		-	
			24.6	0.54	19.5	0.57	19.7	0.58	20.3	0.59	21.8	0.59	23.2	0.56	24.6	0.56	24.6	0.60	-	
	695	5459	8821		7830		7571		7270		6497		5509		3692		2341		-	
			25.9	0.59	21.2	0.62	21.0	0.63	21.4	0.64	22.8	0.64	23.6	0.62	25.9	0.60	25.9	0.64	-	
	710	5576	9011		8038		7799		7504		6793		5862		4067		2618		-	
			27.0	0.63	22.8	0.66	22.4	0.67	22.8	0.68	24.0	0.69	24.6	0.67	27.0	0.63	27.0	0.68	-	
	730	5733	9265		8314		8097		7814		7156		6308		4756		2980		-	
			28.6	0.69	25.1	0.72	24.6	0.72	24.8	0.74	26.0	0.75	26.8	0.74	27.6	0.70	28.6	0.72	-	
	745	58541	9456		8520		8307		8044		7420		6621		5417		3348		-	
			30.1	0.73	27.1	0.76	26.6	0.77	26.6	0.78	27.7	0.79	28.7	0.79	29.2	0.75	30.1	0.76	-	
	756	5938	9595		8671		8461		8212		7612		6844		5908		3619		1887	
			31.7	0.76	28.6	0.8	28.1	0.80	27.9	0.81	29.0	0.83	30.3	0.82	30.6	0.79	31.7	0.79	31.7	0.87
1	770	6048	9773		8862		8656		8425		7854		7124		6239		3959		2136	
			33.2	0.80	30.2	0.84	29.5	0.85	29.2	0.85	30.3	0.87	31.8	0.87	32.1	0.85	33.2	0.82	33.2	0.90
	790	6205	10027		9134		8934		8728		8198		7520		6695		4436		2487	
			33.1	0.87	33.1	0.91	29.3	0.91	28.8	0.92	29.6	0.94	31.1	0.94	31.5	0.93	33.1	0.87	33.1	0.96
	810	6362	10281		9406		9210		9015		8512		7891		7129		5107		2842	
			34.2	0.94	34.2	0.98	30.3	0.98	29.8	0.99	29.6	1.01	30.5	1.02	31.3	1.01	33.3	0.95	34.2	1.01

Performance certified is for installation type A: free inlet, free outlet. Power rating (BHP) does not include transmission losses. The sound ratings shown are for loudness values in fan sonas at 5'0" (1.5m) in a hemispherical free field calculated per AMCA International Standard 301. Values shown are for installation Type A: Free inlet hemispherical sone levels. Performance ratings do not include the effects of appurtenances.

BLL36 | BELT DRIVE



Max. Motor Frame Size = 56	Peak BHP = $(\text{RPM}/526)^3$	Max. RPM = 619 (1 HP)
----------------------------	---------------------------------	-----------------------

HP	RPM	Tip Speed FPM	0.000" SP		0.100" SP		0.125" SP		0.150" SP		0.200" SP		0.250" SP		0.300" SP		0.350" SP	
			CFM		CFM		CFM		CFM		CFM		CFM		CFM		CFM	
			Sones	BHP	Sones	BHP	Sones	BHP	Sones	BHP	Sones	BHP	Sones	BHP	Sones	BHP	Sones	BHP
1/4	315	2948	7100		2636		1501		709		-	-	-	-	-	-	-	-
			8.1	0.135	13	0.160	13	0.176	13	0.194	-	-	-	-	-	-	-	-
	325	3042	7326		3007		1899		997		-	-	-	-	-	-	-	-
			8.6	0.149	13.7	0.171	13.7	0.188	13.7	0.205	-	-	-	-	-	-	-	-
	334	3126	7528		3363		2252		1287		-	-	-	-	-	-	-	-
			9	0.161	14.3	0.182	14.4	0.199	14.4	0.216	-	-	-	-	-	-	-	-
344	3220	7754		3783		2638		1611		241	-	-	-	-	-	-	-	
		9.5	0.176	14	0.194	15.1	0.212	15.1	0.230	15.1	0.272	-	-	-	-	-	-	
356	3332	8024		4297		3090		2079		590	-	-	-	-	-	-	-	
		10.1	0.195	14	0.210	16.1	0.229	16.1	0.247	16.1	0.288	-	-	-	-	-	-	
1/3	366	3426	8250		4717		3458		2472		884	-	-	-	-	-	-	
			10.6	0.212	14.2	0.225	16.8	0.243	16.8	0.262	16.8	0.302	-	-	-	-	-	-
	376	3519	8475		5087		3869		2858		1172	12	-	-	-	-	-	
			11.1	0.230	14.6	0.242	17.2	0.258	17.6	0.278	17.6	0.316	17.6	0.367	-	-	-	-
	381	3566	8588		5269		4079		3048		1332	162	-	-	-	-	-	
			11.4	0.239	14.8	0.250	17.1	0.266	18	0.286	18	0.325	18	0.375	-	-	-	-
385	3603	8678		5414		4246		3199		1464	281	-	-	-	-	-		
		11.6	0.247	15	0.257	17	0.272	18.4	0.292	18.4	0.331	18.4	0.381	-	-	-	-	
390	3650	8791		5594		4458		3386		1627	427	-	-	-	-	-		
		11.9	0.257	15.2	0.267	17	0.280	18.8	0.301	18.8	0.340	18.4	0.389	-	-	-	-	
1/2	400	3744	9016		5979		4889		3754		1957	718	-	-	-	-		
			12.6	0.277	15.7	0.288	17.1	0.297	19.6	0.318	19.6	0.359	19.6	0.406	-	-	-	-
	410	3837	9241		6363		5304		4158		2358	1012	-	-	-	-		
			13.1	0.298	16.3	0.311	17.4	0.316	20.2	0.336	20.4	0.378	20.4	0.423	-	-	-	-
	420	3941	9467		6741		5673		4578		2752	1299	256	-	-	-		
			13.7	0.321	16.8	0.335	17.8	0.337	19.9	0.354	21.3	0.398	21.3	0.441	21.3	0.497	-	-
430	4025	9692		7126		6037		5004		3141	1622	549	-	-	-			
		14.4	0.344	17.3	0.362	18.2	0.359	19.9	0.374	22.2	0.418	22.2	0.462	22.2	0.517	-	-	
440	4118	9918		7506		6404		5434		3522	1948	841	-	-	-			
		15	0.369	17.8	0.391	18.8	0.383	20.1	0.395	23.2	0.440	23.2	0.485	23.2	0.537	-	-	

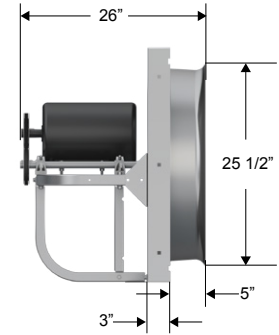
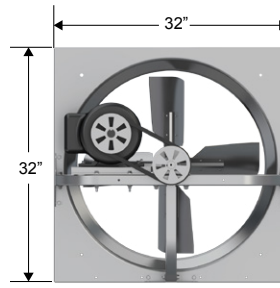
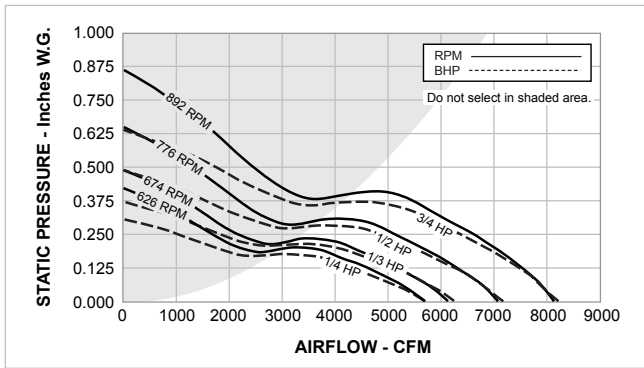
Table continued on next page.

BLL36 | BELT DRIVE

HP	RPM	Tip Speed FPM	0.000" SP		0.100" SP		0.125" SP		0.150" SP		0.200" SP		0.250" SP		0.300" SP		0.350" SP	
			CFM		CFM		CFM		CFM		CFM		CFM		CFM		CFM	
			Sones	BHP	Sones	BHP	Sones	BHP	Sones	BHP	Sones	BHP	Sones	BHP	Sones	BHP	Sones	BHP
3/4	460	4305	10368		8197		7175		6212		4266		2700		1421		463	
			16.4	0.421	19	0.449	19.9	0.439	20.9	0.442	25	0.485	25	0.532	25	0.580	25	0.641
	472	4418	10639		8546		7631		6648		4741		3172		1808		812	
			17.2	0.455	19.7	0.483	20.6	0.476	21.5	0.474	26.2	0.514	26.3	0.562	26.3	0.610	26.3	0.669
	482	4511	10864		8835		8015		7015		5162		3559		2134		1107	
			17.9	0.485	20.3	0.513	21.2	0.510	22.1	0.503	25.7	0.538	27.4	0.588	27.4	0.637	27.4	0.693
	490	4586	11045		9064		8319		7326		5495		3865		2401		1339	
			18.5	0.509	20.9	0.538	21.6	0.539	22.5	0.529	25.7	0.558	28.3	0.610	28.3	0.659	28.3	0.713
	500	4680	11270		9349		8695		7711		5929		4241		2803		1628	
			19.3	0.541	21.7	0.570	22.2	0.576	23.1	0.564	25.8	0.585	29.8	0.637	29.5	0.688	29.5	0.739
	510	4773	11495		9632		9038		8091		6356		4612		3198		1959	
			20	0.574	22.5	0.604	23	0.612	23.8	0.599	26	0.613	30.7	0.665	30.7	0.718	30.7	0.770
525	4914	11834		10053		9476		8665		6946		5185		3783		2445		
		21.2	0.626	23.5	0.657	24	0.665	24.7	0.659	26.6	0.660	32.4	0.710	32.4	0.764	32.4	0.817	
1	543	5082	12239		10536		9995		9348		7604		5943		4469		3144	
			22.3	0.693	24.5	0.724	25.1	0.733	25.7	0.736	27.4	0.723	31.6	0.765	34.3	0.822	34.3	0.877
	550	5148	12397		10719		10196		9610		7856		6238		4731		3421	
			22.8	0.720	24.8	0.725	25.5	0.761	26.1	0.767	27.8	0.748	31.4	0.787	35.1	0.848	35.1	0.901
	570	5335	12848		11241		10763		10232		8622		7098		5466		4200	
			24.2	0.801	26	0.834	26.8	0.843	27.3	0.852	28.9	0.834	31.4	0.856	37.4	0.915	37.4	0.973
	582	5447	13118		11551		11100		10580		9081		7581		5973		4657	
			25.2	0.853	26.7	0.887	27.6	0.895	28.1	0.905	29.7	0.890	31.8	0.902	37.8	0.958	38.8	1.018

Performance certified is for installation type A: free inlet, free outlet. Power rating (BHP) does not include transmission losses. The sound ratings shown are for loudness values in fan sonets at 5'0" (1.5m) in a hemispherical free field calculated per AMCA International Standard 301. Values shown are for installation Type A: Free inlet hemispherical sone levels. Performance ratings do not include the effects of appurtenances.

BHM24B | BELT DRIVE

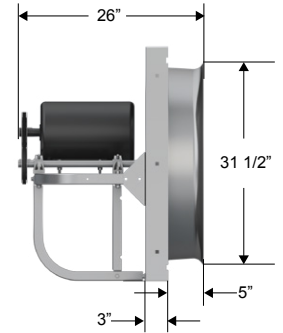
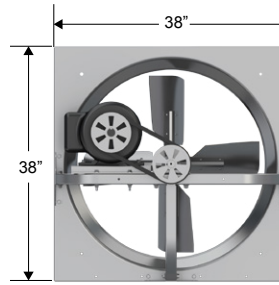
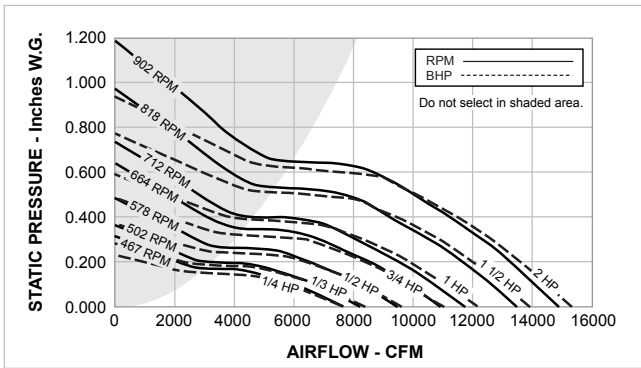


Max. Motor Frame Size = 184T	Peak BHP = $(\text{RPM}/934)^3$	Max. RPM = 946 (1 HP)
------------------------------	---------------------------------	-----------------------

HP	RPM	Tip Speed FPM	0.000" SP		0.100" SP		0.125" SP		0.200" SP		0.250" SP		0.375" SP	
			CFM		CFM		CFM		CFM		CFM		CFM	
			Sones	BHP	Sones	BHP	Sones	BHP	Sones	BHP	Sones	BHP	Sones	BHP
1/3	575	3839	6019		4111		-		-		-		-	
			8.5	0.303	8.4	0.293	-		-		-		-	
1/2	626	4179	6553		5294		-		-		-		-	
			10.0	0.391	9.8	0.387	-		-		-		-	
	650	4339	6804		5642		4894		-		-		-	
			11.4	0.438	11.3	0.434	11.4	0.426	-		-		-	
674	4500	7055		5985		5538		-		-		-		
		14.0	0.488	13.7	0.485	13.8	0.482	-		-		-		
3/4	710	4740	7432		6444		6067		-		-		-	
			15.3	0.570	15.0	0.567	15.0	0.565	-		-		-	
	745	4974	7799		6871		6570		-		-		-	
			16.6	0.659	16.3	0.656	16.3	0.654	-		-		-	
776	5180	8123		7245		6986		-		-		-		
		17.7	0.745	17.4	0.742	17.4	0.740	-		-		-		
1	805	5374	8427		7592		7342		5414		-		-	
			19.1	0.831	18.9	0.742	18.8	0.827	18.8	0.797	-		-	
	835	5574	8741		7949		7707		6550		-		-	
			22.0	0.928	21.0	0.925	21.0	0.924	21.0	0.909	-		-	
	865	5775	9055		8302		8069		7189		-		-	
24.0			1.032	24.0	1.029	24.0	1.027	24.0	1.019	-		-		
892	5955	9337		8619		8393		7585		-		-		
			25.0	1.131	25.0	1.129	25.0	1.127	25.0	1.120	-		-	

Performance certified is for installation type A: free inlet, free outlet. Power rating (BHP) does not include transmission losses. The sound ratings shown are for loudness values in fan sonos at 5'0" (1.5m) in a hemispherical free field calculated per AMCA International Standard 301. Values shown are for installation Type A: Free inlet hemispherical sone levels. Performance ratings do not include the effects of appurtenances.

BHM30B | BELT DRIVE

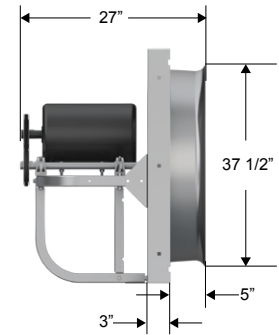
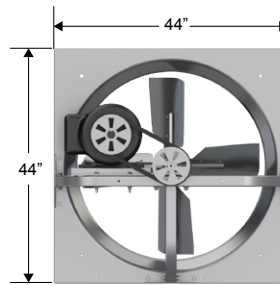
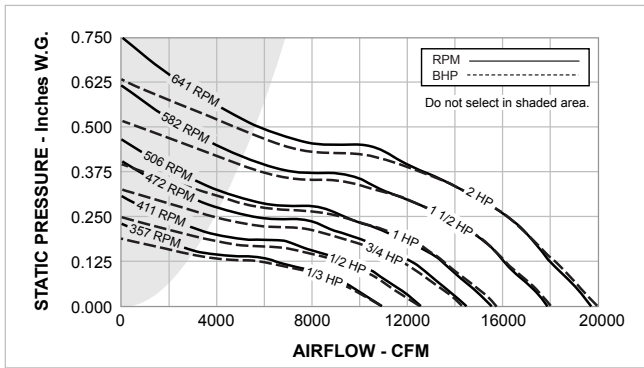


Max. Motor Frame Size = 184T	Peak BHP = (RPM/700) ³	Max. RPM = 902 (2 HP)
------------------------------	-----------------------------------	-----------------------

HP	RPM	TIP SPEED FPM	0.000"SP		0.100"SP		0.125"SP		0.200"SP		0.250"SP		0.375"SP	
			CFM		CFM		CFM		CFM		CFM		CFM	
			Sones	BHP	Sones	BHP	Sones	BHP	Sones	BHP	Sones	BHP	Sones	BHP
1/4	400	3246	6.1	0.16	-	-	-	-	-	-	-	-	-	-
	467	3790	7.9	0.26	8.5	0.30	-	-	-	-	-	-	-	-
1/3	485	3936	8.4	0.29	9.0	0.33	-	-	-	-	-	-	-	-
	502	4074	8.9	0.32	9.5	0.30	9.6	0.38	-	-	-	-	-	-
1/2	525	4261	9.5	0.37	10.1	0.41	10.3	0.43	-	-	-	-	-	-
	550	4464	10.3	0.42	10.9	0.47	11.1	0.48	-	-	-	-	-	-
	578	4691	11.2	0.49	11.8	0.54	11.9	0.55	-	-	-	-	-	-
3/4	615	4991	12.4	0.59	13.0	0.64	13.2	0.66	-	-	-	-	-	-
	645	5235	13.5	0.68	14.1	0.74	14.2	0.75	14.8	0.79	-	-	-	-
1	664	5389	14.2	0.74	14.8	0.80	14.9	0.82	15.5	0.86	-	-	-	-
	685	5559	15.0	0.82	15.5	0.87	15.7	0.89	16.2	0.94	-	-	-	-
	700	5681	15.5	0.87	15.5	0.87	15.5	0.87	16.8	0.99	17.0	1.02	-	-
	712	5778	16.0	0.92	16.6	0.98	16.8	0.99	17.3	1.04	17.6	1.07	-	-
1 1/2	740	6006	17.2	1.03	17.6	1.09	17.9	1.11	18.3	1.16	18.7	1.19	-	-
	775	6290	18.5	1.18	18.9	1.25	19.1	1.26	19.5	1.32	19.8	1.35	-	-
	800	6493	19.5	1.30	19.8	1.37	20.0	1.38	20.5	1.44	20.5	1.44	-	-
	818	6639	20.2	1.39	20.5	1.46	20.7	1.48	21.1	1.53	21.3	1.57	-	-
2	845	6858	21.3	1.53	21.6	1.60	21.6	1.62	22.1	1.68	22.2	1.72	22.6	1.81
	865	7020	22.1	1.65	22.3	1.71	22.4	1.73	22.8	1.79	23.0	1.83	23.3	1.92
	885	7182	23.0	1.76	23.2	1.83	23.2	1.85	23.6	1.91	23.7	1.95	24.1	2.05
	902	7320	23.7	1.87	23.9	1.94	23.9	1.96	24.3	2.02	24.4	2.06	24.7	2.16

Performance certified is for installation type A: free inlet, free outlet. Power rating (BHP) does not include transmission losses. The sound ratings shown are for loudness values in fan sones at 5'0" (1.5m) in a hemispherical free field calculated per AMCA International Standard 301. Values shown are for installation Type A: Free inlet hemispherical sone levels. Performance ratings do not include the effects of appurtenances.

BHM36B | BELT DRIVE

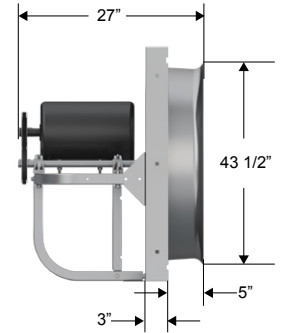
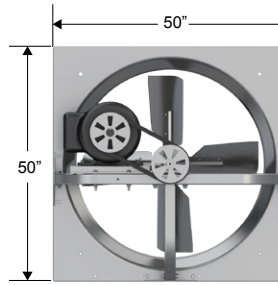
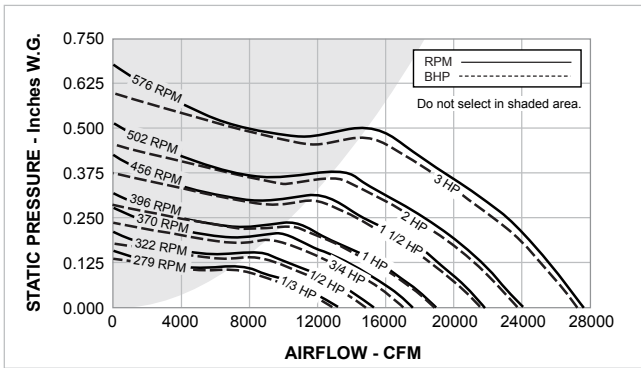


Max. Motor Frame Size = 215T	Peak BHP = (RPM/495) ³	Max. RPM = 665 (2 HP)
------------------------------	-----------------------------------	-----------------------

HP	RPM	TIP SPEED FPM	0.000"SP		0.100"SP		0.125"SP		0.200"SP		0.250"SP		0.375"SP		0.500"SP	
			CFM		CFM		CFM		CFM		CFM		CFM		CFM	
			Sones	BHP	Sones	BHP	Sones	BHP	Sones	BHP	Sones	BHP	Sones	BHP	Sones	BHP
1/3	300	2910	9201		3649		-		-		-		-		-	
			5.6	0.20	5.5	0.22	-		-		-		-		-	
1/3	357	3463	10949		7970		6540		-		-		-		-	
			7.4	0.34	6.6	0.35	6.7	0.36	-		-		-		-	
1/2	385	3735	11808		9332		8185		-		-		-		-	
			8.4	0.42	7.6	0.43	7.5	0.44	-		-		-		-	
1/2	411	3987	12605		10419		9498		3974		-		-		-	
			9.4	0.51	8.5	0.53	8.3	0.53	9.6	0.57	-		-		-	
3/4	440	4268	13495		11559		10865		7683		-		-		-	
			10.5	0.63	9.7	0.65	9.4	0.64	9.5	0.68	-		-		-	
3/4	472	4578	14476		12665		12143		9512		5505		-		-	
			11.8	0.77	11.0	0.8	10.8	0.80	10.4	0.81	11.8	0.86	-		-	
1	485	4705	14875		13110		12654		10249		8188		-		-	
			12.3	0.84	11.7	0.86	11.5	0.87	10.9	0.87	11.4	0.93	-		-	
1	495	48020	15182		13450		13030		10766		8747		-		-	
			12.8	0.89	12.2	0.92	12.0	0.93	11.3	0.92	11.8	0.97	-		-	
1	506	4908	15519		13823		13412		11328		9306		-		-	
			13.3	0.95	12.7	0.98	12.5	0.99	11.9	0.98	12.1	1.01	-		-	
1 1/2	530	5141	16255		14631		14238		12505		10778		-		-	
			14.3	1.10	14.0	1.12	13.8	1.13	13.1	1.13	12.9	1.14	-		-	
1 1/2	555	5384	17022		15477		15091		13681		12118		4962		-	
			15.4	1.26	15.3	1.28	15.2	1.29	14.6	1.29	14.1	1.30	16.6	1.40	-	
1 1/2	582	5645	17850		16397		16003		14765		13469		7231		-	
			16.7	1.45	16.7	1.47	16.7	1.48	16.2	1.50	15.7	1.49	17.1	1.62	-	
2	600	5820	18402		17006		16607		15477		14339		10392		-	
			17.6	1.59	17.7	1.61	17.7	1.62	17.3	1.65	16.8	1.63	16.7	1.74	-	
2	615	5966	18862		17511		17115		16065		15053		11159		-	
			18.3	1.71	18.5	1.73	18.6	1.74	18.2	1.78	17.8	1.76	17.3	1.83	-	
2	630	6111	19322		18014		17628		16616		15679		11994		-	
			19.1	1.84	19.3	1.86	19.4	1.89	19.2	1.91	18.8	1.89	18.0	1.93	-	
2	641	6218	19660		18383		18003		16998		16121		12691		5738	
			19.6	1.94	19.9	1.96	20.0	1.97	19.9	2.01	19.5	2.00	18.5	2.03	21.0	2.16

Performance certified is for installation type A: free inlet, free outlet. Power rating (BHP) does not include transmission losses. The sound ratings shown are for loudness values in fan sones at 5'0" (1.5m) in a hemispherical free field calculated per AMCA International Standard 301. Values shown are for installation Type A: Free inlet hemispherical sone levels. Performance ratings do not include the effects of appurtenances.

BHM42B | BELT DRIVE



Max. Motor Frame Size = 215T	Peak BHP = $(RPM/388)^3$	Max. RPM = 583 (3 HP)
------------------------------	--------------------------	-----------------------

HP	RPM	Tip Speed FPM	0.000" SP		0.100" SP		0.125" SP		0.200" SP		0.250" SP		0.300" SP		0.375" SP		0.500" SP	
			CFM		CFM		CFM		CFM		CFM		CFM		CFM		CFM	
			Sones	BHP	Sones	BHP	Sones	BHP	Sones	BHP	Sones	BHP	Sones	BHP	Sones	BHP	Sones	BHP
1/3	260	2930	12463		7191		-		-		-		-		-		-	
			7.3	0.29	6.5	0.30	-		-		-		-		-			
	279	3144	13374		8659		-		-		-		-		-		-	
8.3			0.35	7.5	0.36	-		-		-		-		-				
1/2	300	3381	14381		10292		8779		-		-		-		-		-	
			9.3	0.44	8.8	0.45	8.3	0.45	-		-		-		-			
	322	3629	15436		11854		10477		-		-		-		-		-	
10.4			0.55	10.1	0.56	9.7	0.55	-		-		-		-				
3/4	350	3944	16778		13727		12550		-		-		-		-		-	
			12.0	0.70	11.9	0.72	11.5	0.72	-		-		-		-			
	370	4170	17737		14950		13949		10376		-		-		-		-	
13.1			0.83	13.2	0.84	12.8	0.85	11.6	0.86	-		-		-				
1	380	4283	18216		15518		14638		11145		-		-		-		-	
			13.7	0.90	13.8	0.91	13.5	0.92	12.3	0.92	-		-		-			
	390	4395	18695		16081		15266		11885		-		-		-		-	
14.2			0.97	14.3	0.98	14.2	0.99	12.9	0.98	-		-		-				
396	4463	18983		16417		15638		12360		-		-		-		-		
		14.5	1.01	14.7	1.02	14.6	1.04	13.4	1.02	-		-		-				
1 1/2	420	4733	20134		17749		17075		14238		12097		-		-		-	
			15.8	1.21	16.1	1.21	16.2	1.23	15.1	1.22	14.4	1.24	-		-			
	440	4959	21092		18844		18201		15682		13601		-		-		-	
17.1			1.39	17.4	1.39	17.5	1.41	16.7	1.42	15.8	1.40	-		-				
456	5139	21859		19702		19093		16808		14865		12943		-		-		
		18.2	1.55	18.5	1.55	18.6	1.56	18.1	1.59	17.2	1.57	16.6	1.60	-				
2	470	5297	22531		20449		19867		17782		15951		13992		-		-	
			19.1	1.70	19.4	1.70	19.5	1.70	19.2	1.75	18.4	1.72	17.6	1.72	-			
	485	5466	23250		21243		20690		18791		17040		15139		-		-	
			20.0	1.86	20.0	1.86	20.0	1.86	20.0	1.92	19.8	1.90	19.0	1.88	-			
	495	5579	23729		21771		21234		19415		17751		15930		-		-	
21.0			1.98	21.0	1.98	21.0	1.98	21.0	2.03	21.0	2.03	20.0	2.00	-				
502	5658	24065		22139		21609		19849		18244		16478		13791		-		
		21.0	2.07	21.0	2.07	22.0	2.06	22.0	2.11	21.0	2.12	21.0	2.09	20.0	2.14	-		

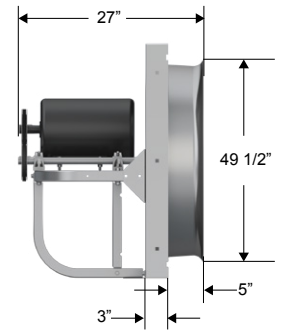
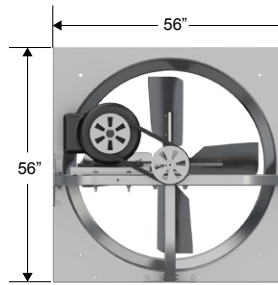
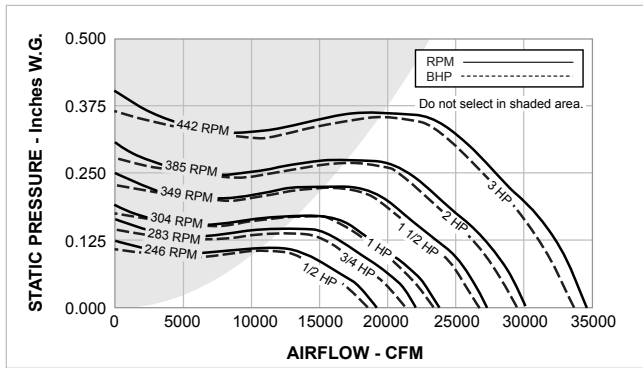
Table continued on next page.

BHM42B | BELT DRIVE

HP	RPM	Tip Speed FPM	0.000" SP		0.100" SP		0.125" SP		0.200" SP		0.250" SP		0.300" SP		0.375" SP		0.500" SP	
			CFM		CFM		CFM		CFM		CFM		CFM		CFM		CFM	
			Sones	BHP	Sones	BHP	Sones	BHP	Sones	BHP	Sones	BHP	Sones	BHP	Sones	BHP	Sones	BHP
3	525	5917	25167		23344		22837		21242		19848		18215		15608		-	
			23.0	2.36	23.0	2.37	23.0	2.36	23.0	2.40	23.0	2.43	23.0	2.40	22.0	2.40	-	
	545	6142	26126		24385		23896		22374		21182		19639		17144		-	
			24.0	2.64	24.0	2.65	24.0	2.65	25.0	2.68	25.0	2.72	24.0	2.71	24.0	2.67	-	
	560	6311	26845		25162		24687		23216		22114		20692		18325		-	
			25.0	2.87	25.0	2.88	25.0	2.87	26.0	2.90	26.0	2.94	25.0	2.95	25.0	2.90	-	
	576	6492	27612		25988		25526		24107		23099		21804		19564		15578	
			26.0	3.12	26.0	3.13	27.0	3.13	27.0	3.14	27.0	3.18	27.0	3.21	27.0	3.16	27.0	3.25

Performance certified is for installation type A: free inlet, free outlet. Power rating (BHP) does not include transmission losses. The sound ratings shown are for loudness values in fan sonos at 5'0" (1.5m) in a hemispherical free field calculated per AMCA International Standard 301. Values shown are for installation Type A: Free inlet hemispherical sone levels. Performance ratings do not include the effects of appurtenances.

BHM48B | BELT DRIVE

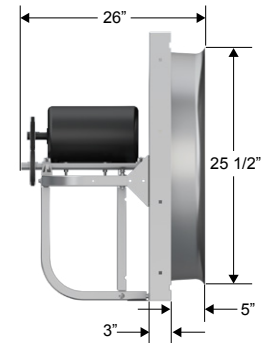
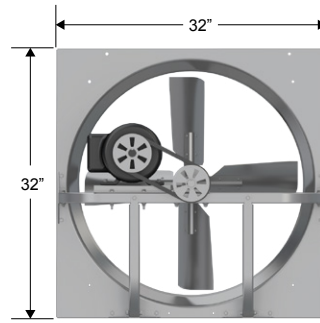
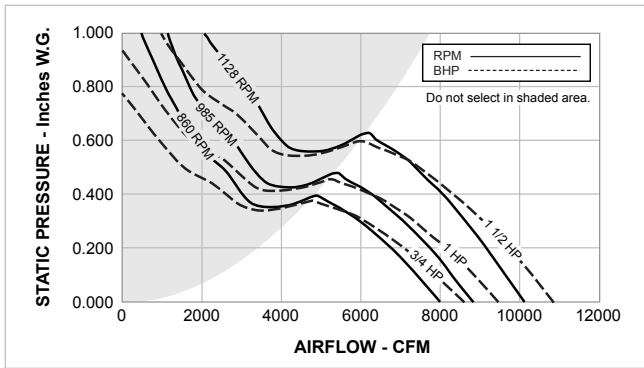


Max. Motor Frame Size = 215T	Peak BHP = (RPM/298) ³	Max. RPM = 450 (3 HP)
------------------------------	-----------------------------------	-----------------------

HP	RPM	TIP SPEED FPM	0.000"SP		0.100"SP		0.125"SP		0.200"SP		0.250"SP		0.375"SP	
			CFM		CFM		CFM		CFM		CFM		CFM	
			Sones	BHP	Sones	BHP	Sones	BHP	Sones	BHP	Sones	BHP	Sones	BHP
1/2	225	2882	17535	-	-	-	-	-	-	-	-	-	-	-
	246	3151	6.5	0.43	-	-	-	-	-	-	-	-	-	-
3/4	265	3395	19171	13913	-	-	-	-	-	-	-	-	-	-
	283	3625	7.6	0.56	8.7	0.55	-	-	-	-	-	-	-	-
1	295	3779	20652	16061	14144	-	-	-	-	-	-	-	-	-
	304	3894	8.6	0.70	9.2	0.69	10.0	0.68	-	-	-	-	-	-
1 1/2	320	4099	22055	17972	16473	-	-	-	-	-	-	-	-	-
	349	4471	9.5	0.85	9.7	0.84	10.7	0.83	-	-	-	-	-	-
2	365	4676	22990	19220	17819	-	-	-	-	-	-	-	-	-
	375	4804	10.2	0.96	10.1	0.95	11.0	0.95	-	-	-	-	-	-
3	400	5124	23691	20174	18783	-	-	-	-	-	-	-	-	-
	415	5316	10.7	1.05	10.4	1.04	11.3	1.04	-	-	-	-	-	-
3	430	5508	24938	21854	20470	-	-	-	-	-	-	-	-	-
	442	5662	11.6	1.23	10.9	1.23	11.8	1.21	-	-	-	-	-	-
3	385	4932	26107	23377	22037	17862	-	-	-	-	-	-	-	-
	385	4932	12.6	1.41	11.5	1.42	12.4	1.39	14.9	1.37	-	-	-	-
3	385	4932	27198	24641	23517	19805	-	-	-	-	-	-	-	-
	385	4932	13.5	1.59	12.2	1.61	12.8	1.59	15.6	1.56	-	-	-	-
3	365	4676	28445	2607	225182	21638	-	-	-	-	-	-	-	-
	365	4676	14.5	1.82	13.3	1.84	13.3	1.83	15.7	1.79	-	-	-	-
3	375	4804	29225	26959	26178	22739	20037	-	-	-	-	-	-	-
	375	4804	15.1	1.97	13.9	2.00	13.7	1.99	15.9	1.95	17.7	1.92	-	-
3	385	4932	30004	27843	27082	23809	21473	-	-	-	-	-	-	-
	385	4932	15.7	2.13	14.6	2.16	14.3	2.16	16.2	2.11	18.1	2.09	-	-
3	400	5124	31173	29161	28428	25394	23272	-	-	-	-	-	-	-
	400	5124	16.8	2.39	15.7	2.42	15.4	2.42	16.7	2.36	18.3	2.35	-	-
3	415	5316	32342	30470	29764	26955	24963	22557	-	-	-	-	-	-
	415	5316	17.9	2.67	16.7	2.71	16.4	2.71	17.2	2.64	18.5	2.64	20.0	2.61
3	430	5508	33511	31737	31090	28539	26572	24552	-	-	-	-	-	-
	430	5508	19.0	2.97	17.9	3.01	17.4	3.01	19.9	2.95	19.0	2.93	20.0	2.92
3	442	5662	34446	32720	32146	29804	27843	25929	-	-	-	-	-	-
	442	5662	19.8	3.23	18.7	3.27	18.3	3.27	18.5	3.23	19.4	3.19	21.0	3.18

Performance certified is for installation type A: free inlet, free outlet. Power rating (BHP) does not include transmission losses. The sound ratings shown are for loudness values in fan sones at 5'0" (1.5m) in a hemispherical free field calculated per AMCA International Standard 301. Values shown are for installation Type A: Free inlet hemispherical sone levels. Performance ratings do not include the effects of appurtenances.

BHH24B | BELT DRIVE

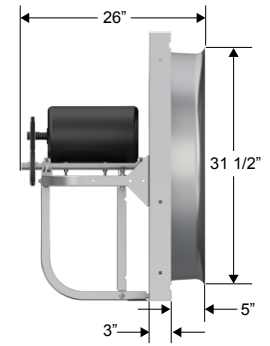
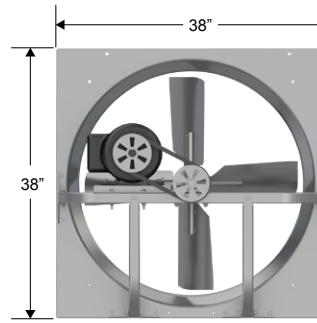
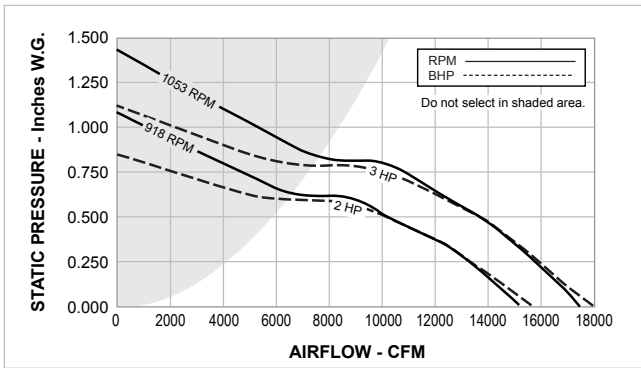


Max. Motor Frame Size = 184T	Peak BHP = $(RPM/962)^3$	Max. RPM = 1216 (1 1/2 HP)
------------------------------	--------------------------	----------------------------

HP	RPM	Tip Speed FPM	0.000" SP		0.100" SP		0.125" SP		0.200" SP		0.250" SP		0.375" SP		0.500" SP		0.625" SP	
			CFM		CFM		CFM		CFM		CFM		CFM		CFM		CFM	
			Sones	BHP	Sones	BHP	Sones	BHP	Sones	BHP	Sones	BHP	Sones	BHP	Sones	BHP	Sones	BHP
3/4	800	5236	7156		6506		6322		5734		5244		-		-		-	
			12.9	0.43	13.3	0.46	13.1	0.47	12.4	0.51	11.9	0.53	-		-		-	
	830	5432	7424		6797		6631		6064		5623		-		-		-	
13.6			0.48	14.1	0.52	13.9	0.52	13.3	0.56	12.9	0.58	-		-		-		
860	5629	7692		7088		6936		6391		5997		-		-		-		
		14.4	0.54	14.9	0.57	14.8	0.58	14.2	0.61	13.8	0.64	-		-		-		
1	935	6120	8363		7807		7668		7192		6857		5814		-		-	
			16.7	0.69	17.4	0.73	17.3	0.74	16.8	0.77	16.3	0.79	15.5	0.86	-		-	
	945	6185	8453		7902		7765		7298		6966		5973		-		-	
			17.1	0.71	17.7	0.75	17.7	0.76	17.2	0.79	16.7	0.82	15.9	0.88	-		-	
	955	6250	8542		7997		7861		7403		7075		6103		-		-	
			17.4	0.73	18.1	0.77	18.2	0.78	17.6	0.82	17.2	0.84	16.3	0.91	-		-	
	965	6316	8632		8093		7958		7508		7183		6232		-		-	
			17.7	0.76	18.5	0.80	18.6	0.81	18.1	0.84	17.6	0.87	16.7	0.93	-		-	
975	6381	8721		8188		8054		7612		7291		6361		-		-		
		18.1	0.78	18.8	0.82	19.0	0.83	18.5	0.86	18.1	0.89	17.1	0.96	-		-		
985	6447	8810		8282		8150		7717		7399		6488		-		-		
		18.5	0.81	19.2	0.85	19.3	0.86	19.0	0.89	18.6	0.92	17.6	0.98	-		-		
1 1/2	1010	6610	9034		8519		8390		7976		7666		6805		5535		-	
			19.3	0.87	20.0	0.91	20.0	0.92	20.0	0.95	19.7	0.98	18.9	1.05	18.8	1.15	-	
	1030	6741	9213		8708		8582		8183		7879		7056		5879		-	
			20.0	0.92	21.0	0.96	21.0	0.97	21.0	1.01	21.0	1.03	19.9	1.10	19.7	1.20	-	
	1050	6872	9392		8897		8773		8389		8090		7304		6218		-	
			21.0	0.98	22.0	1.02	22.0	1.03	22.0	1.06	22.0	1.09	21.0	1.16	21.0	1.25	-	
	1070	7003	9571		9085		8963		8594		8300		7550		6553		-	
			22.0	1.03	23.0	1.08	23.0	1.09	24.0	1.12	24.0	1.15	24.0	1.22	24.0	1.30	-	
1090	7134	9750		9272		9153		8795		8510		7791		6820		-		
		23.0	1.09	24.0	1.14	25.0	1.15	25.0	1.18	25.0	1.21	25.0	1.28	26.0	1.35	-		
1110	7265	9929		9460		9343		8991		8718		8012		7141		-		
		25.0	1.15	26.0	1.20	26.0	1.21	26.0	1.24	26.0	1.27	26.0	1.34	27.0	1.42	-		
1128	7383	10090		8628		9513		9167		8905		8211		7372		6167		
		25.0	1.21	26.0	1.26	27.0	1.27	27.0	1.30	27.0	1.33	27.0	1.40	28.0	1.48	27.0	1.61	

Performance certified is for installation type A: free inlet, free outlet. Power rating (BHP) does not include transmission losses. The sound ratings shown are for loudness values in fan sones at 5'0" (1.5m) in a hemispherical free field calculated per AMCA International Standard 301. Values shown are for installation Type A: Free inlet hemispherical sone levels. Performance ratings do not include the effects of appurtenances.

BHH30B | BELT DRIVE

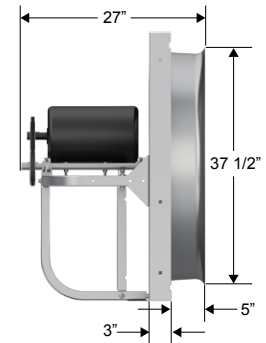
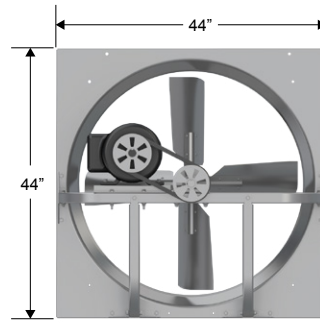
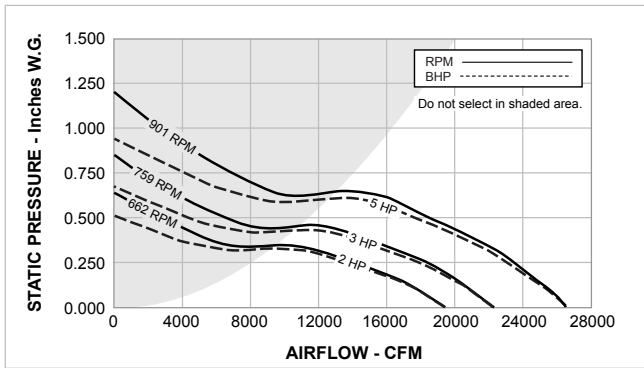


Max. Motor Frame Size = 184T	Peak BHP = $(RPM/708)^3$	Max. RPM = 1053 (3 HP)
------------------------------	--------------------------	------------------------

HP	RPM	Tip Speed FPM	0.000" SP		0.100" SP		0.125" SP		0.200" SP		0.250" SP		0.375" SP		0.500" SP	
			CFM		CFM		CFM		CFM		CFM		CFM		CFM	
			Sones	BHP	Sones	BHP	Sones	BHP	Sones	BHP	Sones	BHP	Sones	BHP	Sones	BHP
3	950	7710	16232		15411		15206		14575		14151		12987		-	
			25.7	2.18	25.7	2.25	25.7	2.27	25.9	2.34	26.0	2.38	26.3	2.49	-	
	975	7913	16660		15859		15659		15046		14634		13515		12114	
			26.7	2.36	26.7	2.43	26.7	2.45	26.8	2.52	26.9	2.56	27.1	2.67	27.1	2.77
	1000	8116	17087		16306		16111		15516		15113		14039		12736	
			27.7	2.54	27.7	2.62	27.7	2.64	27.7	2.71	27.8	2.75	27.9	2.87	28.0	2.97
	1025	8319	17514		16753		16562		15983		15591		14558		13351	
			28.8	2.74	28.8	2.82	28.8	2.84	28.7	2.91	28.8	2.95	28.8	3.07	28.8	3.18
	1030	8359	17599		16842		16652		16076		15686		14661		13473	
			29.0	2.78	29.0	2.86	29.0	2.88	28.9	2.95	29.0	2.99	29.0	3.11	29.0	3.22

Performance certified is for installation type A: free inlet, free outlet. Power rating (BHP) does not include transmission losses. The sound ratings shown are for loudness values in fan zones at 5'0" (1.5m) in a hemispherical free field calculated per AMCA International Standard 301. Values shown are for installation Type A: Free inlet hemispherical sone levels. Performance ratings do not include the effects of appurtenances.

BHH36B | BELT DRIVE

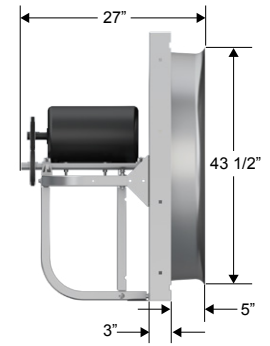
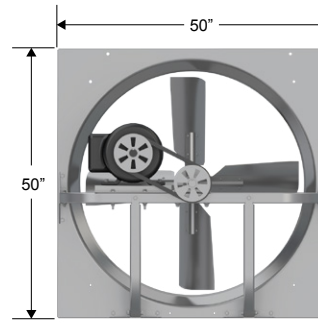
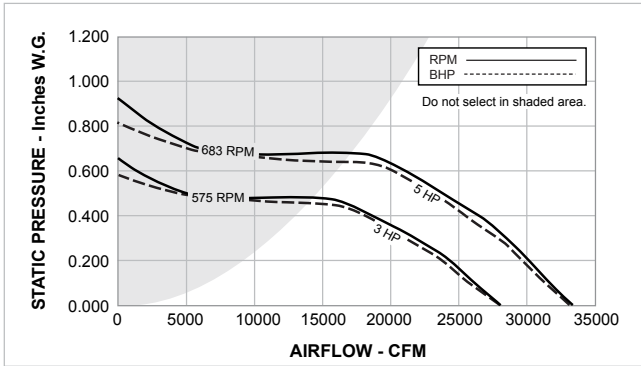


Max. Motor Frame Size = 215T	Peak BHP = (RPM/511) ³	Max. RPM = 929 (7.5 HP)
------------------------------	-----------------------------------	-------------------------

HP	RPM	Tip Speed FPM	0.000" SP		0.100" SP		0.125" SP		0.200" SP		0.250" SP		0.375" SP		0.500" SP		.625" SP		0.750" SP	
			CFM		CFM		CFM		CFM		CFM		CFM		CFM		CFM		CFM	
			Sones	BHP	Sones	BHP	Sones	BHP	Sones	BHP	Sones	BHP	Sones	BHP	Sones	BHP	Sones	BHP	Sones	BHP
2	600	5812	18661		16879		16411		14887		13551		-	-	-	-	-	-	-	-
			17.3	1.87	17.8	1.93	18.1	1.94	18.4	1.98	18.7	1.99	-	-	-	-	-	-	-	-
2	620	6006	19283		17564		17111		15660		14470		-	-	-	-	-	-	-	-
			18.1	2.06	18.5	2.12	18.8	2.13	19.1	2.17	19.4	2.19	-	-	-	-	-	-	-	
3	640	6199	19905		18246		17807		16423		15375		-	-	-	-	-	-	-	
			18.9	2.27	19.3	2.33	19.5	2.34	19.9	2.38	20.0	2.41	-	-	-	-	-	-		
	662	6413	20589		18992		18568		17255		16301		-	-	-	-	-	-	-	
			19.8	2.51	20.0	2.57	20.0	2.59	21.0	2.63	21.0	2.66	-	-	-	-	-	-		
685	6635	21304		19767		19358		18115		17193		12873		-	-	-	-	-		
		21.0	2.78	21.0	2.85	21.0	2.86	22.0	2.91	22.0	2.93	22.0	2.93	-	-	-	-			
5	705	6829	21926		20432		20041		18845		17960		14793		-	-	-	-		
			22.0	3.03	22.0	3.10	22.0	3.11	23.0	3.16	23.0	3.19	23.0	3.22	-	-	-			
	725	7023	22548		21095		20721		19558		18720		16139		-	-	-	-		
			23.0	3.29	23.0	3.37	23.0	3.38	24.0	3.43	24.0	3.46	24.0	3.51	-	-	-			
	740	7168	23015		21591		21229		20090		19286		16835		-	-	-	-		
			23.0	3.50	24.0	3.58	24.0	3.59	25.0	3.64	25.0	3.67	25.0	3.73	-	-	-			
	759	7352	23606		22218		21870		20760		19997		17707		-	-	-	-		
			24.0	3.78	25.0	3.85	25.0	3.87	26.0	3.92	26.0	3.96	26.0	4.02	-	-	-			
790	7652	24570		23237		22903		21845		21134		19107		14713		-	-	-		
		26.0	4.26	26.0	4.34	26.0	4.36	27.0	4.41	27.0	4.45	27.0	4.52	28.0	4.48	-	-			
820	7943	25503		24218		23897		22887		22201		20324		17501		-	-	-		
		27.0	4.77	28.0	4.85	28.0	4.87	29.0	4.92	29.0	4.96	29.0	5.04	30.0	5.07	-	-			
7 1/2	850	8234	26436		25197		24887		23921		23260		21482		19232		-	-		
			29.0	5.31	29.0	5.39	30.0	5.41	30.0	5.47	31.0	5.51	31.0	5.60	31.0	5.65	-	-		
	880	8524	27369		26172		25873		24949		24310		22627		20609		-	-		
			30.0	5.89	31.0	5.98	31.0	6.00	32.0	6.06	32.0	6.10	32.0	6.19	32.0	6.26	-	-		
901	8728	28022		26853		26561		25665		25041		23421		21560		18447		-		
		31.0	6.32	32.0	6.41	32.0	6.43	33.0	6.50	34.0	6.54	34.0	6.64	34.0	6.71	34.0	6.71			

Performance certified is for installation type A: free inlet, free outlet. Power rating (BHP) does not include transmission losses. The sound ratings shown are for loudness values in fan sones at 5'0" (1.5m) in a hemispherical free field calculated per AMCA International Standard 301. Values shown are for installation Type A: Free inlet hemispherical sone levels. Performance ratings do not include the effects of appurtenances.

BHH42B | BELT DRIVE

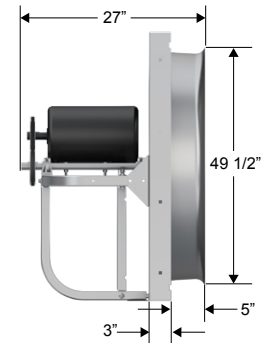
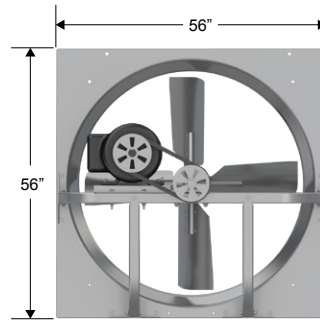
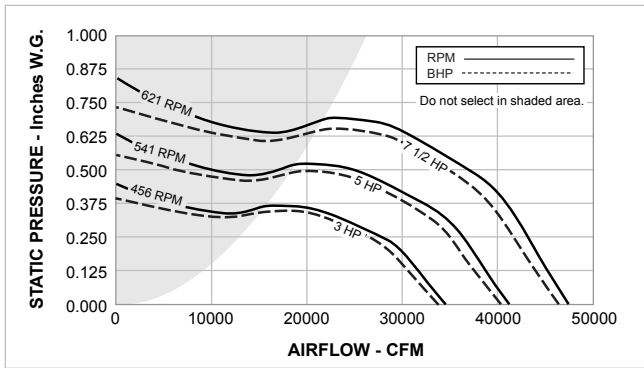


Max. Motor Frame Size = 215T	Peak BHP = (RPM/387) ³	Max. RPM = 699 (5 HP)
------------------------------	-----------------------------------	-----------------------

HP	RPM	Tip Speed FPM	0.000" SP		0.100" SP		0.125" SP		0.200" SP		0.250" SP		0.300" SP		0.375" SP		0.500" SP		0.625" SP	
			CFM		CFM		CFM		CFM		CFM		CFM		CFM		CFM		CFM	
			Sones	BHP	Sones	BHP	Sones	BHP	Sones	BHP	Sones	BHP	Sones	BHP	Sones	BHP	Sones	BHP	Sones	BHP
3	525	5917	25530		23361		22879		21213		19799		18129		15429		-	-	-	-
			22.0	2.31	23.0	2.36	23.0	2.36	23.0	2.39	23.0	2.41	22.0	2.38	21.0	2.37	-	-	-	-
	535	6029	26017		23879		23406		21805		20484		18860		16244		-	-	-	-
			23.0	2.45	23.0	2.50	23.0	2.50	24.0	2.53	23.0	2.55	23.0	2.52	22.0	2.37	-	-	-	-
	550	6199	26746		24653		24193		22687		21499		19941		17450		-	-	-	-
			24.0	2.66	24.0	2.71	24.0	2.71	25.0	2.74	24.0	2.78	24.0	2.75	23.0	2.72	-	-	-	-
565	6368	27475		25433		24977		23561		22405		20989		18635		-	-	-	-	
		25.0	2.88	25.0	2.94	25.0	2.94	25.0	2.96	26.0	3.00	25.0	2.99	24.0	2.95	-	-	-	-	
575	6480	27962		25955		25497		24141		23005		21681		19384		-	-	-	-	
		26.0	3.04	26.0	3.09	26.0	3.10	26.0	3.11	26.0	3.15	26.0	3.15	25.0	3.12	-	-	-	-	
5	600	6762	29178		27255		26794		25527		24488		23387		21221		17224		-	-
			27.0	3.45	28.0	3.51	28.0	3.52	28.0	3.53	28.0	3.56	28.0	3.61	27.0	3.56	26.0	3.57	-	-
	625	7044	30393		28547		28086		26867		25953		24908		23001		19342		-	-
			29.0	3.90	29.0	3.96	29.0	3.98	29.0	3.99	30.0	4.01	30.0	4.06	29.0	4.05	28.0	4.00	-	-
	645	7269	31366		29577		29130		27931		27113		26100		24387		20935		-	-
			30.0	4.28	31.0	4.35	31.0	4.37	31.0	4.38	31.0	4.39	31.0	4.44	31.0	4.46	30.0	4.39	-	-
665	7495	32338		30604		30170		28989		28227		27281		25753		22461		18633		
		32.0	4.70	32.0	4.76	32.0	4.78	32.0	4.80	32.0	4.80	32.0	4.85	33.0	4.91	32.0	4.82	31.0	4.92	
683	7697	33214		31525		31102		29936		29194		28334		26900		23788		20347		
		33.0	5.09	33.0	5.16	33.0	5.17	34.0	5.20	34.0	5.20	34.0	5.23	34.0	5.31	33.0	5.24	33.0	5.22	

Performance certified is for installation type A: free inlet, free outlet. Power rating (BHP) does not include transmission losses. The sound ratings shown are for loudness values in fan sonas at 5'0" (1.5m) in a hemispherical free field calculated per AMCA International Standard 301. Values shown are for installation Type A: Free inlet hemispherical sone levels. Performance ratings do not include the effects of appurtenances.

BHH48B | BELT DRIVE

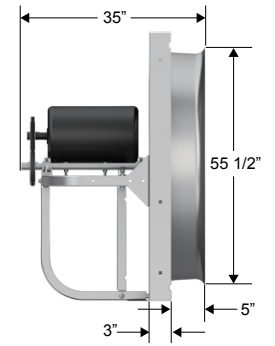
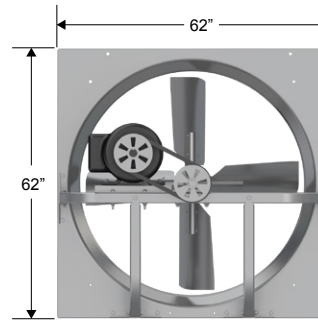
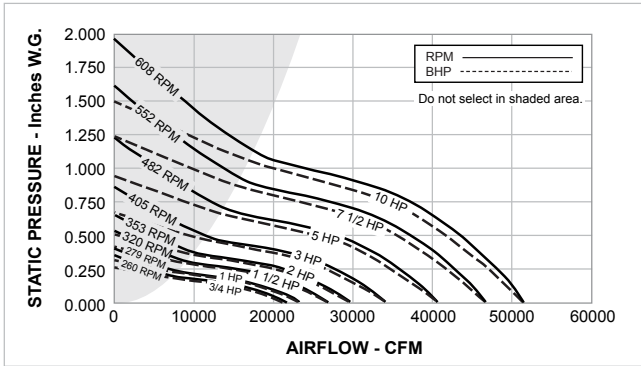


Max. Motor Frame Size = 215T	Peak BHP = (RPM/307) ³	Max. RPM = 624 (10 HP)
------------------------------	-----------------------------------	------------------------

HP	RPM	Tip Speed FPM	0.000" SP		0.100" SP		0.125" SP		0.200" SP		0.250" SP		0.300" SP		0.375" SP		0.500" SP		0.625" SP	
			CFM		CFM		CFM		CFM		CFM		CFM		CFM		CFM		CFM	
			Sones	BHP	Sones	BHP	Sones	BHP	Sones	BHP	Sones	BHP	Sones	BHP	Sones	BHP	Sones	BHP	Sones	BHP
3	400	5124	30576		27854		27180		24367		20747		-		-		-		-	
			19.9	2.15	17.0	2.20	17.0	2.21	17.1	2.20	17.3	2.15	-		-		-			
	420	5380	32105		29500		28881		26638		23551		19909		-		-		-	
			18.2	2.49	18.3	2.54	18.4	2.55	18.5	2.54	18.7	2.48	19.2	2.50	-		-			
	440	5636	33634		31136		30544		28614		26332		22985		-		-		-	
19.4			2.87	19.7	2.91	19.8	2.93	20.0	2.92	20.0	2.92	21.0	2.86	-		-				
456	5842	34857		32437		31866		30030		28331		25224		-		-		-		
		20.0	3.19	21.0	3.23	21.0	3.25	21.0	3.26	21.0	3.26	22.0	3.16	-		-				
5	475	6085	36309		33975		33427		31697		30349		27882		23178		-		-	
			22.0	3.61	22.0	3.65	22.0	3.67	23.0	3.69	23.0	3.68	23.0	3.64	24.0	3.62	-		-	
	495	6341	37838		35586		35061		33434		32263		30476		26131		-		-	
			23.0	4.08	24.0	4.12	24.0	4.14	24.0	4.18	24.0	4.16	24.0	4.17	25.0	4.06	-		-	
	515	6597	39367		37191		36685		35156		34031		32689		28930		-		-	
			24.0	4.60	25.0	4.63	25.0	4.65	26.0	4.71	26.0	4.69	26.0	4.69	27.0	4.57	-		-	
530	6789	40514		38397		37899		36426		35345		34248		31025		21858		-		
		25.0	5.01	26.0	5.05	26.0	5.07	27.0	5.13	27.0	5.12	27.0	5.10	28.0	5.05	32.0	5.05	-		
541	6930	41355		39281		38786		37344		36303		35232		32527		25495		-		
		26.0	5.33	27.0	5.36	27.0	5.38	28.0	5.45	28.0	5.45	28.0	5.43	29.0	5.43	31.0	5.34	-		
7 1/2	560	7174	42807		40803		40315		38921		37948		36913		34884		28531		-	
			27.0	5.91	28.0	5.95	28.0	5.96	29.0	6.03	29.0	6.05	30.0	6.03	30.0	6.04	32.0	6.51	-	
	580	7430	44336		42401		41918		40572		39667		38668		36987		31355		-	
			29.0	6.57	29.0	6.60	30.0	6.61	31.0	6.69	31.0	6.73	31.0	6.71	32.0	6.69	34.0	6.51	-	
	600	7686	45865		43995		43527		42214		41347		40408		38959		34154		27558	
			31.0	7.27	31.0	7.31	31.0	7.32	32.0	7.39	33.0	7.44	33.0	7.44	33.0	7.40	35.0	7.26	39.0	7.29
610	7814	46629		44790		44330		43032		42180		41273		39848		35549		29378		
		31.0	7.64	32.0	7.68	32.0	7.69	33.0	7.76	34.0	7.81	34.0	7.82	34.0	7.79	36.0	7.69	39.0	7.66	
621	7955	47470		45663		45211		43930		43093		42221		40821		37068		31169		
		32.0	8.06	33.0	8.10	33.0	8.11	34.0	8.18	35.0	8.23	35.0	8.25	35.0	8.22	37.0	8.19	40.0	8.07	

Performance certified is for installation type A: free inlet, free outlet. Power rating (BHP) does not include transmission losses. The sound ratings shown are for loudness values in fan sones at 5'0" (1.5m) in a hemispherical free field calculated per AMCA International Standard 301. Values shown are for installation Type A: Free inlet hemispherical sone levels. Performance ratings do not include the effects of appurtenances.

BHH54B | BELT DRIVE



Max. Motor Frame Size = 284T	Peak BHP = $(RPM/273)^3$	Max. RPM = 623 (10 HP)
------------------------------	--------------------------	------------------------

HP	RPM	Tip Speed FPM	0.000" SP		0.125" SP		0.250" SP		0.375" SP		0.500" SP		0.625" SP		0.750" SP		0.875" SP		1.000" SP	
			CFM		CFM		CFM		CFM		CFM		CFM		CFM		CFM		CFM	
			Sones	BHP	Sones	BHP	Sones	BHP	Sones	BHP	Sones	BHP	Sones	BHP	Sones	BHP	Sones	BHP	Sones	BHP
3/4	240	3458	20273		13846		-		-		-		-		-		-		-	
			9.4	0.62	9.3	0.67	-	-	-	-	-	-	-	-	-	-	-	-	-	-
3/4	260	3747	21963		16686		-		-		-		-		-		-		-	
			10.8	0.79	10.7	0.85	-	-	-	-	-	-	-	-	-	-	-	-	-	-
1	270	3891	22807		17862		-		-		-		-		-		-		-	
			11.5	0.88	11.4	0.95	-	-	-	-	-	-	-	-	-	-	-	-	-	-
1	279	4020	23568		18956		-		-		-		-		-		-		-	
			12.2	0.97	12.1	1.05	-	-	-	-	-	-	-	-	-	-	-	-	-	-
1 1/2	295	4251	24919		20748		9672		-		-		-		-		-		-	
			13.5	1.15	13.5	1.24	13.1	1.23	-	-	-	-	-	-	-	-	-	-	-	
			26186		22338		13544		-		-		-		-		-		-	
1 1/2	310	4467	27031		23335		15836		-		-		-		-		-		-	
			14.7	1.33	14.7	1.44	14.3	1.45	-	-	-	-	-	-	-	-	-	-	-	
2	335	4287	28298		24816		18801		-		-		-		-		-		-	
			16.8	1.68	16.7	1.80	16.4	1.83	-	-	-	-	-	-	-	-	-	-	-	
			29143		25794		20561		-		-		-		-		-		-	
2	345	4971	29143		25794		20561		-		-		-		-		-		-	
			17.7	1.84	17.6	1.96	17.4	1.99	-	-	-	-	-	-	-	-	-	-	-	
2	353	5087	29819		26572		21732		10459		-		-		-		-		-	
			18.4	1.97	18.4	2.09	18.1	2.13	17.8	2.14	-	-	-	-	-	-	-	-	-	
3	370	5332	31255		28212		23868		14133		-		-		-		-		-	
			19.9	2.26	19.9	2.40	19.6	2.45	19.2	2.44	-	-	-	-	-	-	-	-	-	
	385	5548	32522		29641		25647		17818		-		-		-		-		-	
			21.0	2.55	21.0	2.69	21.0	2.76	21.0	2.78	-	-	-	-	-	-	-	-	-	
	395	5692	33367		30581		26861		20090		-		-		-		-		-	
22.0			2.76	22.0	2.90	22.0	2.98	22.0	3.01	-	-	-	-	-	-	-	-	-		
405	5836	34211		31517		28023		22082		11754		-		-		-		-		
		22.0	2.97	23.0	3.12	23.0	3.21	23.0	3.25	22.0	3.25	-	-	-	-	-	-	-		

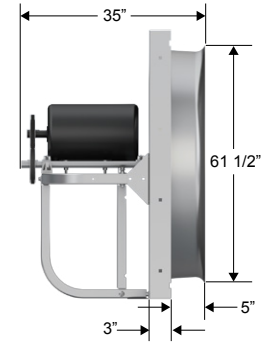
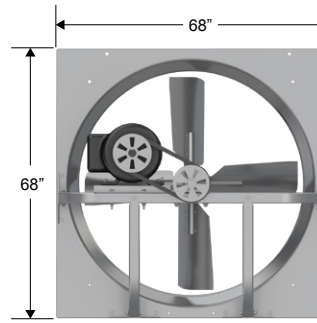
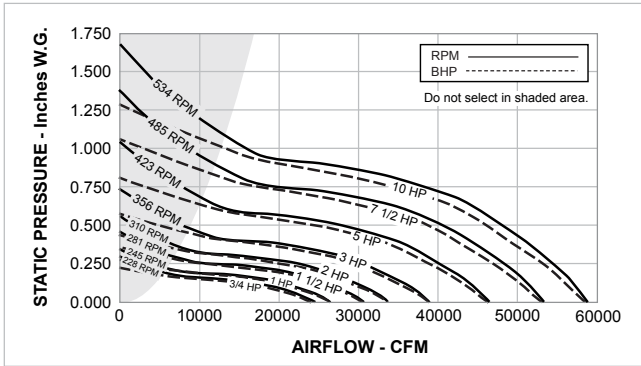
Table continued on next page.

BHH54B | BELT DRIVE

HP	RPM	Tip Speed FPM	0.000" SP		0.125" SP		0.250" SP		0.375" SP		0.500" SP		0.625" SP		0.750" SP		0.875" SP		1.000" SP	
			CFM		CFM		CFM		CFM		CFM		CFM		CFM		CFM		CFM	
			Sones	BHP	Sones	BHP	Sones	BHP	Sones	BHP	Sones	BHP	Sones	BHP	Sones	BHP	Sones	BHP	Sones	BHP
5	425	6124	35901		33377		30180		25594		15735		-		-		-		-	
			24.0	3.43	24.0	3.59	26.0	3.71	25.0	3.73	24.0	3.70	-		-		-		-	
	440	6340	37168		34763		31751		27673		19524		-		-		-		-	
			25.0	3.81	26.0	3.98	27.0	4.11	27.0	4.13	26.0	4.14	-		-		-		-	
	455	6557	38435		36143		33245		29448		22949		13413		-		-		-	
			27.0	4.21	27.0	4.39	28.0	4.53	29.0	4.56	28.0	4.60	27.0	4.59	-		-		-	
470	6773	39702		37516		34726		31225		25918		16236		-		-		-		
		28.0	4.64	29.0	4.83	30.0	4.97	30.0	5.03	29.0	5.07	28.0	4.99	-		-		-		
482	6946	40716		38611		35903		32683		28044		19369		-		-		-		
		30.0	5.01	30.0	5.21	31.0	5.34	31.0	5.42	31.0	5.45	29.0	5.42	-		-		-		
7 1/2	500	7205	42236		40247		37655		34753		30842		23683		14887		-		-	
			31.0	5.59	32.0	5.80	33.0	5.94	33.0	6.05	33.0	6.06	32.0	6.09	31.0	6.08	-		-	
	515	7421	43503		41580		39104		36372		32784		27069		17823		-		-	
			33.0	6.11	33.0	6.33	35.0	6.47	35.0	6.61	35.0	6.62	34.0	6.68	32.0	6.57	-		-	
	530	7637	44771		42902		40544		37975		34541		29784		21732		-		-	
			35.0	6.66	35.0	6.88	37.0	7.03	37.0	7.20	37.0	7.21	36.0	7.26	34.0	7.21	-		-	
545	7853	46038		44220		41969		39497		36335		32424		25320		16686		-		
		37.0	7.24	37.0	7.47	39.0	7.63	39.0	7.80	39.0	7.84	38.0	7.87	37.0	7.88	36.0	7.82	-		
552	7954	46629		44835		42628		40194		37187		33507		26917		18122		-		
		37.0	7.52	38.0	7.76	40.0	7.92	40.0	8.09	40.0	8.14	39.0	8.16	38.0	8.20	37.0	8.07	-		
10	560	8070	47305		45536		43379		40988		38154		34618		28723		20234		-	
			39.0	7.85	39.0	8.09	41.0	8.26	41.0	8.43	41.0	8.50	40.0	8.52	39.0	8.58	38.0	8.46	-	
	570	8214	48150		46415		44315		41976		39331		35969		30734		22838		-	
			40.0	8.28	41.0	8.52	42.0	8.70	42.0	8.87	42.0	8.96	42.0	8.98	41.0	9.05	39.0	8.96	-	
	580	8358	48994		47287		45248		42960		40417		37149		32522		25350		17516	
			41.0	8.72	42.0	8.97	44.0	9.16	44.0	9.33	44.0	9.44	43.0	9.45	42.0	9.52	41.0	9.47	40.0	9.46
590	8502	49839		48160		46178		43940		41497		38320		34290		27654		19344		
		43.0	9.18	44.0	9.43	46.0	9.63	46.0	9.80	46.0	9.93	45.0	9.95	44.0	9.99	43.0	10.00	42.0	9.85	
600	8646	50684		49033		47106		44915		42570		39482		36038		29928		21981		
		45.0	9.66	45.0	9.91	47.0	10.11	48.0	10.29	48.0	10.44	47.0	10.46	46.0	10.49	45.0	10.54	44.0	10.41	
608	8761	51360		49731		47847		45693		43425		40462		37167		31726		24064		
		46.0	10.05	47.0	10.31	49.0	10.51	49.0	10.69	49.0	10.87	48.0	10.88	47.0	10.91	46.0	10.99	45.0	10.86	

Performance certified is for installation type A: free inlet, free outlet. Power rating (BHP) does not include transmission losses. The sound ratings shown are for loudness values in fan sones at 5'0" (1.5m) in a hemispherical free field calculated per AMCA International Standard 301. Values shown are for installation Type A: Free inlet hemispherical sone levels. Performance ratings do not include the effects of appurtenances.

BHH60B | BELT DRIVE



Max. Motor Frame Size = 284T	Peak BHP = (RPM/240) ³	Max. RPM = 545 (10 HP)
------------------------------	-----------------------------------	------------------------

HP	RPM	Tip Speed FPM	0.000" SP		0.125" SP		0.250" SP		0.375" SP		0.500" SP		0.625" SP		0.750" SP		0.875" SP		1.000" SP	
			CFM		CFM		CFM		CFM		CFM		CFM		CFM		CFM		CFM	
			Sones	BHP	Sones	BHP	Sones	BHP	Sones	BHP	Sones	BHP	Sones	BHP	Sones	BHP	Sones	BHP	Sones	BHP
3/4	210	3356	22971		13646		-		-		-		-		-		-		-	
			9.8	0.62	9.9	0.66	-		-		-		-		-		-		-	
	228	3643	24940		17920		-		-		-		-		-		-		-	
1	235	3755	25706		19088		-		-		-		-		-		-		-	
			11.9	0.86	12.0	0.92	-		-		-		-		-		-		-	
	245	3915	26800		20709		-		-		-		-		-		-		-	
1 1/2	260	4155	28440		22938		7039		-		-		-		-		-		-	
			14.2	1.17	14.3	1.24	14.4	1.26	-		-		-		-		-		-	
	270	4315	29534		24360		8721		-		-		-		-		-		-	
2	281	4490	30737		25903		13611		-		-		-		-		-		-	
			16.2	1.48	16.2	1.57	16.5	1.57	-		-		-		-		-		-	
	290	4634	31722		27132		17165		-		-		-		-		-		-	
3	300	4794	32816		28483		20158		-		-		-		-		-		-	
			18.0	1.80	18.1	1.91	18.3	1.95	-		-		-		-		-		-	
	310	4954	33910		29822		22604		-		-		-		-		-		-	
3	325	5194	35551		31808		25787		9625		-		-		-		-		-	
			20.0	2.28	21.0	2.42	21.0	2.43	20.0	2.41	-		-		-		-		-	
	335	5353	36644		33118		27430		11830		-		-		-		-		-	
			21.0	2.50	22.0	2.65	22.0	2.66	21.0	2.59	-		-		-		-		-	
	345	5513	37738		34366		29049		17018		-		-		-		-		-	
23.0			2.73	23.0	2.88	23.0	2.90	22.0	2.91	-		-		-		-		-		
356	5689	38942		35715		30753		21343		-		-		-		-		-		
			24.0	3.00	24.0	3.16	25.0	3.18	24.0	3.21	-		-		-		-		-	

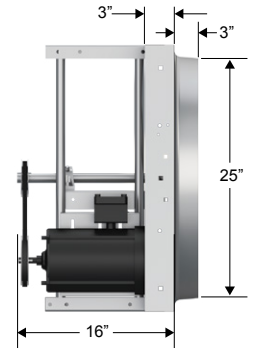
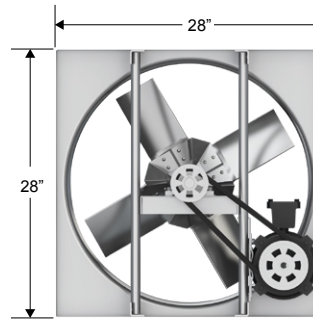
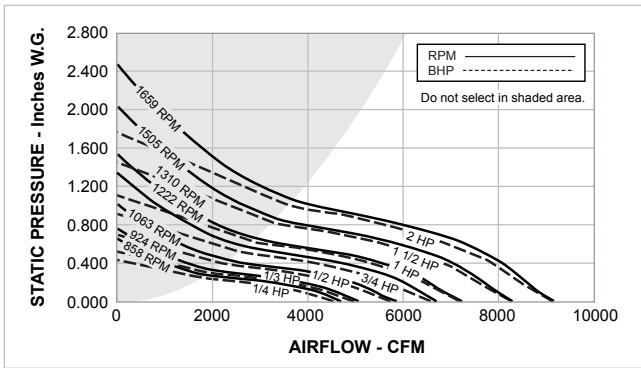
Table continued on next page.

BHH60B | BELT DRIVE

HP	RPM	Tip Speed FPM	0.000" SP		0.125" SP		0.250" SP		0.375" SP		0.500" SP		0.625" SP		0.750" SP		0.875" SP		1.000" SP	
			CFM		CFM		CFM		CFM		CFM		CFM		CFM		CFM		CFM	
			Sones	BHP	Sones	BHP	Sones	BHP	Sones	BHP	Sones	BHP	Sones	BHP	Sones	BHP	Sones	BHP	Sones	BHP
5	370	5913	40473		37421		32769		25420		10303		-		-		-		-	
			26.0	3.37	27.0	3.53	27.0	3.58	26.0	3.66	23.0	3.60	-	-	-	-	-	-	-	-
	385	6152	42114		39237		34896		28868		13045		-		-		-		-	
			28.0	3.80	28.0	3.97	29.0	4.04	28.0	4.08	25.0	3.94	-	-	-	-	-	-	-	-
	400	6392	43755		41042		36989		31906		20298		-		-		-		-	
			29.0	4.26	29.0	4.44	30.0	4.53	30.0	4.53	28.0	4.53	-	-	-	-	-	-	-	-
415	6632	45395		42837		39032		34361		25852		11718		-		-		-		
		30.0	4.75	30.0	4.94	31.0	5.05	32.0	5.05	30.0	5.10	28.0	5.07	-	-	-	-	-	-	
423	6760	43271		43790		40112		35652		28149		13036		-		-		-		
		31.0	5.03	31.0	5.23	32.0	5.35	33.0	5.34	31.0	5.45	29.0	5.29	-	-	-	-	-	-	
7 1/2	440	7031	48130		45809		42387		38243		32323		18846		-		-		-	
			33.0	5.66	33.0	5.87	34.0	6.01	35.0	6.01	34.0	6.11	32.0	5.90	-	-	-	-	-	-
	455	7271	49771		47543		44373		40397		35623		25763		12895		-		-	
			35.0	6.26	35.0	6.48	36.0	6.64	37.0	6.65	36.0	6.68	34.0	6.69	33.0	6.68	-	-	-	-
	465	7431	50865		48684		45690		41818		37356		29197		14568		-		-	
			36.0	6.69	36.0	6.91	38.0	7.08	38.0	7.11	38.0	7.11	36.0	7.19	34.0	7.01	-	-	-	-
475	7591	51959		49824		46998		43228		38994		32061		17146		-		-		
		38.0	7.13	38.0	7.35	38.0	7.54	40.0	7.58	39.0	7.57	38.0	7.72	36.0	7.38	-	-	-	-	
485	7750	53053		50962		48244		44627		40614		34588		22517		12956		-		
		38.0	7.59	38.0	7.81	39.0	8.02	41.0	8.07	40.0	8.05	39.0	8.22	37.0	8.01	36.0	8.17	-	-	
10	495	7910	54146		52098		49473		46000		42219		36818		26877		14457		-	
			39.0	8.07	39.0	8.30	40.0	8.51	42.0	8.58	42.0	8.55	41.0	8.68	39.0	8.61	38.0	8.55	-	-
	505	8070	55240		53233		50697		47361		42715		39019		30715		16290		-	
			40.0	8.56	40.0	8.80	41.0	9.01	43.0	9.10	43.0	9.09	42.0	9.15	41.0	9.17	39.0	8.95	-	-
	515	8230	56334		54366		51917		48714		45158		40959		33599		19170		13321	
			41.0	9.08	41.0	9.33	42.0	9.54	44.0	9.65	44.0	9.64	44.0	9.66	43.0	9.81	41.0	9.38	41.0	9.84
525	8390	57428		55497		53133		50058		46591		42606		36441		25029		14831		
		43.0	9.62	43.0	9.87	44.0	10.19	45.0	10.22	46.0	10.22	45.0	10.23	44.0	10.47	43.0	10.20	42.0	10.26	
530	8469	57975		56062		53739		50728		47303		43423		37599		27189		15589		
		43.0	9.90	43.0	10.15	44.0	10.38	46.0	10.51	46.0	10.52	46.0	10.52	45.0	10.74	44.0	10.54	43.0	10.48	
534	8533	58413		56514		54224		51262		47871		44074		38497		28771		16301		
		44.0	10.13	44.0	10.38	45.0	10.61	46.0	10.74	47.0	10.76	47.0	10.76	46.0	10.95	44.0	10.8	44.0	10.66	

Performance certified is for installation type A: free inlet, free outlet. Power rating (BHP) does not include transmission losses. The sound ratings shown are for loudness values in fan sones at 5'0" (1.5m) in a hemispherical free field calculated per AMCA International Standard 301. Values shown are for installation Type A: Free inlet hemispherical sone levels. Performance ratings do not include the effects of appurtenances.

BCH24 | BELT DRIVE



Max. Motor Frame Size = 145T	Peak BHP = (RPM/1108) ³	Max. RPM = 1659 (2 HP)
------------------------------	------------------------------------	------------------------

HP	RPM	Tip Speed FPM	0.000" SP		0.100" SP		0.125" SP		0.150" SP		0.200" SP		0.250" SP		0.375" SP		0.500" SP		0.625" SP		0.750" SP	
			CFM		CFM		CFM		CFM		CFM		CFM		CFM		CFM		CFM		CFM	
			Sones	BHP	Sones	BHP	Sones	BHP	Sones	BHP	Sones	BHP	Sones	BHP	Sones	BHP	Sones	BHP	Sones	BHP	Sones	BHP
1/4	515	3236	2851		-		-		-		-		-		-		-		-		-	
			5.6	0.06	-		-		-		-		-		-		-		-		-	
	635	3990	3516		2617		2075		-		-		-		-		-		-		-	
			8.3	0.11	8.0	0.12	8.1	0.12	-		-		-		-		-		-		-	
	800	5027	4429		3851		3636		3402		2586		-		-		-		-		-	
12.5			0.22	12.2	0.24	12.2	0.24	12.1	0.25	12.2	0.24	-		-		-		-		-		
858	5391	4751		4210		4059		3845		3295		2446		-		-		-		-		
		13.7	0.28	13.4	0.29	13.3	0.30	13.3	0.30	13.3	0.30	13.7	0.29	-		-		-		-		
1/3	870	5466	4817		4284		4145		3935		3434		2595		-		-		-		-	
			14.0	0.29	13.7	0.31	13.6	0.31	13.6	0.31	13.6	0.31	13.9	0.31	-		-		-		-	
	910	5718	5039		4528		4403		4231		3809		3086		-		-		-		-	
			15.0	0.33	14.7	0.35	14.7	0.35	14.6	0.35	14.6	0.36	14.8	0.35	-		-		-		-	
924	5806	5116		4612		4489		4332		3930		3261		-		-		-		-		
		15.4	0.34	15.1	0.37	15.0	0.37	14.9	0.37	15.0	0.38	15.1	0.37	-		-		-		-		
1/2	930	5843	5149		4649		4526		4376		3977		3335		-		-		-		-	
			15.6	0.50	15.2	0.37	15.2	0.37	15.1	0.38	15.1	0.38	15.3	0.37	-		-		-		-	
	1000	6283	5537		5065		4956		4842		4510		4102		-		-		-		-	
			16.9	0.44	16.7	0.46	16.6	0.46	16.6	0.46	16.4	0.47	16.6	0.48	-		-		-		-	
1063	6679	5886		5434		5338		5231		4974		4625		3147		-		-		-		
		18.2	0.52	18.0	0.55	17.9	0.56	17.9	0.56	17.8	0.56	17.9	0.57	18.5	0.56	-		-		-		
3/4	1070	6723	5924		5475		5379		5274		5025		4679		3233		-		-		-	
			18.4	0.53	18.2	0.56	18.1	0.57	18.1	0.57	18.0	0.57	18.0	0.58	18.7	0.57	-		-		-	
	1160	7288	6423		5998		5909		5820		5624		5355		4337		2659		-		-	
			21.0	0.68	21.0	0.71	21.0	0.72	21.0	0.73	20.0	0.73	20.0	0.74	21.0	0.73	22.0	0.75	-		-	
	1200	7540	6644		6228		6143		6057		5871		5645		4800		3265		-		-	
22.0			0.75	22.0	0.78	22.0	0.79	22.0	0.80	22.0	0.80	22.0	0.81	22.0	0.83	23.0	0.81	-		-		
1222	7678	6766		5335		6271		6187		6007		5802		5000		3566		-		-		
		23.0	0.79	22.0	0.83	22.0	0.84	22.0	0.84	22.0	0.85	22.0	0.85	23.0	0.87	23.0	0.85	-		-		

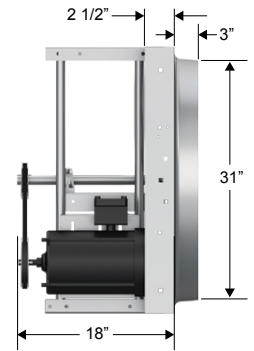
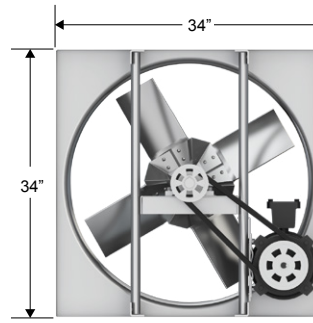
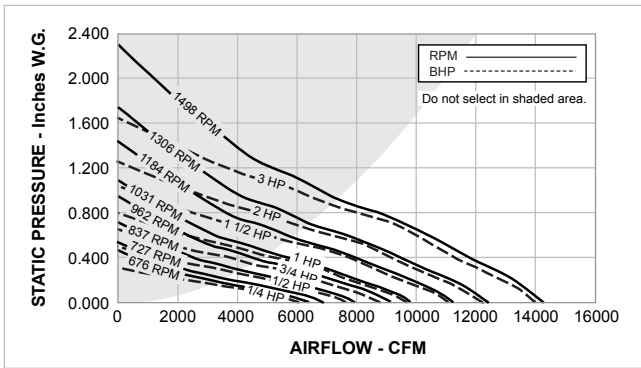
Table continued on next page.

BCH24 | BELT DRIVE

HP	RPM	Tip Speed FPM	0.000" SP		0.100" SP		0.125" SP		0.150" SP		0.200" SP		0.250" SP		0.375" SP		0.500" SP		0.625" SP		0.750" SP			
			CFM		CFM		CFM		CFM		CFM		CFM		CFM		CFM		CFM		CFM		CFM	
			Sones	BHP	Sones	BHP	Sones	BHP	Sones	BHP	Sones	BHP	Sones	BHP	Sones	BHP	Sones	BHP	Sones	BHP	Sones	BHP	Sones	BHP
1	1230	7728	6810		6401		6318		6234		6056		5860		5072		3665		-		-			
			23.0	0.81	22.0	0.84	22.0	0.85	22.0	0.86	22.0	0.86	22.0	0.87	23.0	0.89	23.0	0.86	-		-			
	1250	7854	6921		6516		6434		6352		6178		5996		5250		3909		-		-			
			23.0	0.85	23.0	0.88	23.0	0.89	23.0	0.90	23.0	0.91	23.0	0.91	23.0	0.93	24.0	0.91	-		-			
	1290	8105	7143		6745		6666		6586		6422		6245		5573		4403		-		-			
			24.0	0.93	24.0	0.97	24.0	0.98	24.0	0.94	24.0	1.00	24.0	1.00	24.0	1.02	25.0	1.00	-		-			
1310	8231	7253		6859		6781		6703		6543		6369		5727		4652		3173		-				
		25.0	0.98	24.0	1.01	24.0	1.02	25.0	1.03	25.0	1.04	25.0	1.04	25.0	1.07	26.0	1.04	26.0	1.07	-				
1 1/2	1320	8294	7309		6917		6839		6761		6603		6431		5803		7446		3325		-			
			25.0	1.00	25.0	1.04	25.0	1.05	25.0	1.05	25.0	1.07	25.0	1.07	25.0	1.09	26.0	1.07	27.0	1.09	-			
	1370	8608	7586		7202		7127		7052		6902		6739		6181		5365		4034		-			
			27.0	1.12	27.0	1.16	27.0	1.17	27.0	1.17	27.0	1.19	27.0	1.19	27.0	1.22	27.0	1.22	28.0	1.19	-			
	1450	9111	8029		7660		7586		7515		7373		7227		6771		6122		5020		3703			
			31.0	1.33	31.0	1.37	31.0	1.38	31.0	1.39	31.0	1.40	31.0	1.42	31.0	1.43	31.0	1.46	31.0	1.42	32.0	1.44		
1505	9456	8333		7978		7900		7831		7695		7559		7166		6554		5887		4471				
		33.0	1.48	33.0	1.52	33.0	1.53	33.0	1.55	33.0	1.56	33.0	1.58	33.0	1.59	33.0	1.62	34.0	1.60	35.0	1.58			
2	1520	9550	8416		8064		7985		7918		7783		7648		7273		6669		5862		4655			
			34.0	1.53	34.0	1.57	34.0	1.58	34.0	1.59	34.0	1.61	34.0	1.63	34.0	1.63	34.0	1.67	34.0	1.66	35.0	1.63		
	1550	9739	8582		8237		8156		8090		7957		7825		7463		6897		6205		5018			
			34.0	1.62	34.0	1.66	34.0	1.67	34.0	1.88	34.0	1.70	34.0	1.72	34.0	1.73	34.0	1.77	35.0	1.78	35.0	1.73		
	1600	10053	8859		8525		8441		8376		8248		8119		7774		7272		6656		5643			
			35.0	1.78	35.0	1.83	35.0	1.84	35.0	1.85	35.0	1.87	35.0	1.89	35.0	1.90	35.0	1.94	35.0	1.96	36.0	1.90		
1659	10424	9186		8864		8783		8713		8589		8465		8137		7708		7146		6351				
		37.0	1.99	37.0	2.03	37.0	2.04	37.0	2.05	37.0	2.08	37.0	2.10	37.0	2.12	37.0	2.15	37.0	2.18	37.0	2.15			

Performance certified is for installation type A: free inlet, free outlet. Power rating (BHP) does not include transmission losses. The sound ratings shown are for loudness values in fan sones at 5'0" (1.5m) in a hemispherical free field calculated per AMCA International Standard 301. Values shown are for installation Type A: Free inlet hemispherical sone levels. Performance ratings do not include the effects of appurtenances.

BCH30 | BELT DRIVE



Max. Motor Frame Size = 145T	Peak BHP = $(RPM/877)^3$	Max. RPM = 1498 (3 HP)
------------------------------	--------------------------	------------------------

HP	RPM	Tip Speed FPM	0.000" SP		0.100" SP		0.125" SP		0.150" SP		0.200" SP		0.250" SP		0.375" SP		0.500" SP		0.625" SP		0.750" SP	
			CFM		CFM		CFM		CFM		CFM		CFM		CFM		CFM		CFM		CFM	
			Sones	BHP	Sones	BHP	Sones	BHP	Sones	BHP	Sones	BHP	Sones	BHP	Sones	BHP	Sones	BHP	Sones	BHP	Sones	BHP
1/4	410	3220	3891		-		-		-		-		-		-		-		-		-	
			5.9	0.07	-		-		-		-		-		-		-		-		-	
	480	3770	4555		-		-		-		-		-		-		-		-		-	
			7.7	0.10	-		-		-		-		-		-		-		-		-	
	620	4869	5884		4335		3853		324		-		-		-		-		-		-	
12.0			0.23	13.0	0.23	13.9	0.22	13.4	0.23	-		-		-		-		-		-		
676	5309	6415		5035		4625		4171		-		-		-		-		-		-		
		13.9	0.29	14.6	0.30	15.2	0.29	16.2	0.29	-		-		-		-		-		-		
1/3	680	5341	6543		5083		4676		4233		-		-		-		-		-		-	
			14.0	0.30	14.8	0.30	15.3	0.30	16.3	0.29	-		-		-		-		-		-	
	727	5710	6899		5637		5276		4886		3951		-		-		-		-		-	
			15.7	0.36	16.3	0.37	16.8	0.37	17.5	0.36	17.8	0.37	-		-		-		-		-	
1/2	730	5733	6927		5672		5314		4926		4005		-		-		-		-		-	
			15.8	0.37	16.4	0.38	16.9	0.37	17.6	0.37	18.0	0.38	-		-		-		-		-	
	837	6574	7943		6957		6583		6275		5609		4817		-		-		-		-	
			20.0	0.55	20.0	0.57	21.0	0.57	21.0	0.57	22.0	0.55	23.0	0.56	-		-		-		-	
3/4	840	6597	7971		6993		6618		6310		5649		4865		-		-		-		-	
			20.0	0.56	20.0	0.58	21.0	0.58	21.0	0.57	22.0	0.56	23.0	0.57	-		-		-		-	
	982	7556	9129		8335		8089		7753		7192		6618		4798		-		-		-	
			26.0	0.84	26.0	0.86	26.0	0.87	26.0	0.87	27.0	0.86	28.0	0.85	29.0	0.87	-		-		-	
1	970	7618	9205		8421		8177		7851		7287		6721		4946		-		-		-	
			26.0	0.86	26.0	0.88	26.0	0.89	26.0	0.89	27.0	0.88	28.0	0.87	29.0	0.89	-		-		-	
	990	7775	9395		8634		8395		8096		7525		6978		5311		-		-		-	
			27.0	0.92	27.0	0.94	27.0	0.95	27.0	0.95	28.0	0.94	29.0	0.93	30.0	0.09	-		-		-	
	1010	7933	9585		8847		8613		8339		7760		7233		5655		-		-		-	
28.0			0.97	28.0	0.99	28.0	1.00	28.0	1.01	29.0	1.00	30.0	0.99	32.0	0.99	-		-		-		
1031	8097	9784		9069		8840		8592		8006		7498		5994		-		-		-		
		29.0	1.04	29.0	1.06	29.0	1.07	29.0	1.07	30.0	1.07	31.0	1.05	33.0	1.04	-		-		-		

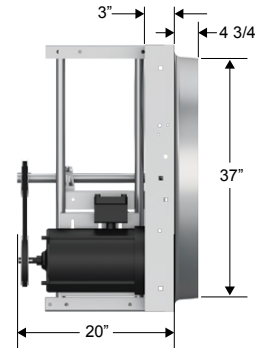
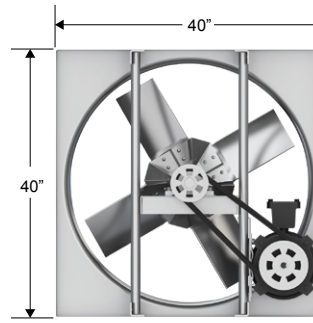
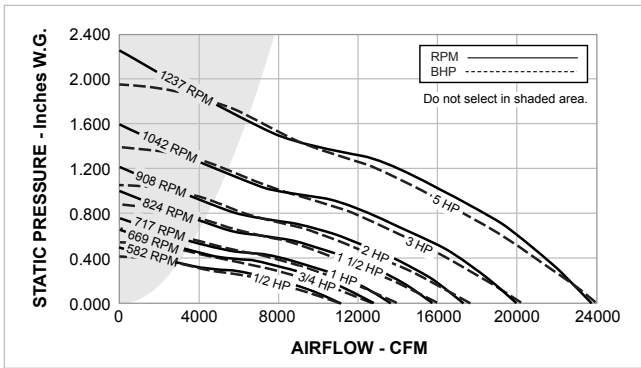
Table continued on next page.

BCH30 | BELT DRIVE

HP	RPM	Tip Speed FPM	0.000" SP		0.100" SP		0.125" SP		0.150" SP		0.200" SP		0.250" SP		0.375" SP		0.500" SP		0.625" SP		0.750" SP			
			CFM		CFM		CFM		CFM		CFM		CFM		CFM		CFM		CFM		CFM		CFM	
			Sones	BHP	Sones	BHP	Sones	BHP	Sones	BHP	Sones	BHP	Sones	BHP	Sones	BHP	Sones	BHP	Sones	BHP	Sones	BHP	Sones	BHP
1 1/2	1040	8168	9869		9164		8937		8700		8110		7611		6138		-		-		-			
			30.0	1.06	30.0	1.08	30.0	1.09	30.0	1.10	30.0	1.10	31.0	1.08	34.0	1.07	-		-		-			
	1095	8600	10391		9739		9527		9311		5757		8272		6986		-		-		-			
			33.0	1.24	32.0	1.26	32.0	1.27	32.0	1.28	32.0	1.28	33.0	1.27	37.0	1.23	-		-		-			
	1140	8954	10819		10204		10005		9798		9310		8803		7598		6076		-		-			
			35.0	1.40	35.0	1.42	35.0	1.43	35.0	1.44	35.0	1.45	36.0	1.44	39.0	1.40	39.0	1.44	-		-			
	1184	9299	11236		10658		10469		10270		9843		9314		8180		6817		-		-			
			38.0	1.57	38.0	1.58	38.0	1.60	38.0	1.61	37.0	1.62	38.0	1.62	41.0	1.58	43.0	1.59	-		-			
2	1190	9346	11293		10719		10532		10335		9915		9383		8258		6913		-		-			
			38.0	1.59	38.0	1.61	38.0	1.62	38.0	1.63	38.0	1.65	38.0	1.65	41.0	1.60	44.0	1.61	-		-			
	1250	9817	11862		11333		11155		10973		10595		10108		9023		7862		6343		-			
			42.0	1.85	41.0	1.85	41.0	1.87	41.0	1.88	41.0	1.91	41.0	1.91	44.0	1.87	48.0	1.82	46.0	1.91	-			
	1306	10257	12394		11904		11733		11563		11202		10791		9713		8634		7334		-			
			45.0	2.11	45.0	2.11	45.0	2.13	45.0	2.14	44.0	2.17	44.0	2.18	47.0	2.15	50.0	2.10	51.0	2.14	-			
3	1315	10328	12479		11995		11826		11656		11299		10899		9821		8755		7480		-			
			46.0	2.15	45.0	2.15	45.0	2.17	45.0	2.18	45.0	2.21	45.0	2.23	47.0	2.20	51.0	2.15	52.0	2.18	-			
	1360	10681	12906		12441		12287		12124		11783		11435		10356		9353		8200		6777			
			48.0	2.38	48.0	2.38	48.0	2.39	48.0	2.41	48.0	2.44	48.0	2.46	50.0	2.44	53.0	2.39	57.0	2.38	54.0	2.46		
	1420	11153	13476		13030		12900		12743		12423		12090		11058		10123		9106		7861			
			52.0	2.71	52.0	2.71	52.0	2.72	52.0	2.73	52.0	2.77	52.0	2.79	53.0	2.79	56.0	2.74	60.0	2.68	60.0	2.76		
	1460	11467	13855		13422		13307		13155		12846		12523		11522		10629		9651		8508			
			55.0	2.94	54.0	2.94	54.0	2.95	54.0	2.97	54.0	3.00	54.0	3.03	55.0	3.04	58.0	2.99	62.0	2.93	64.0	2.96		
1498	11765	14216		13793		13687		13544		13247		12932		11975		11096		10161		9113				
		57.0	3.18	57.0	3.18	57.0	3.20	57.0	3.23	57.0	3.26	57.0	3.29	60.0	3.24	60.0	3.24	64.0	3.19	68.0	3.17			

Performance certified is for installation type A: free inlet, free outlet. Power rating (BHP) does not include transmission losses. The sound ratings shown are for loudness values in fan sones at 5'0" (1.5m) in a hemispherical free field calculated per AMCA International Standard 301. Values shown are for installation Type A: Free inlet hemispherical sone levels. Performance ratings do not include the effects of appurtenances.

BCH36 | BELT DRIVE



Max. Motor Frame Size = 184T	Peak BHP = (RPM/676) ³	Max. RPM = 1237 (5 HP)
------------------------------	-----------------------------------	------------------------

HP	RPM	Tip Speed FPM	0.000" SP		0.125" SP		0.250" SP		0.375" SP		0.500" SP		0.625" SP		0.750" SP		1.000" SP	
			CFM		CFM		CFM		CFM		CFM		CFM		CFM		CFM	
			Sones	BHP	Sones	BHP	Sones	BHP	Sones	BHP	Sones	BHP	Sones	BHP	Sones	BHP	Sones	BHP
1/2	370	3487	6223		2136		-		-		-		-		-		-	
			6.7	0.17	6.9	0.18	-		-		-		-		-		-	
	470	4430	7905		5215		1855		-		-		-		-		-	
10.1			0.34	11.9	0.35	10.1	0.41	-		-		-		-		-		
3/4	582	5485	9788		7828		4684		2408		-		-		-		-	
			14.6	0.65	17.4	0.67	16.6	0.65	14.6	0.76	-		-		-		-	
1	590	5561	9923		7998		4949		2576		-		-		-		-	
			15.0	0.68	17.8	0.69	17.2	0.67	15.0	0.78	-		-		-		-	
	669	6305	11251		9641		7488		4416		2716		-		-		-	
18.9			0.99	22.1	1.01	21.4	1.00	19.9	1.03	18.9	1.16	-		-		-		
1 1/2	680	6409	11436		9857		7770		4708		2948		-		-		-	
			19.4	1.04	22.7	1.06	22.1	1.06	20.7	1.07	19.4	1.20	-		-		-	
	717	6758	12059		10575		8692		5876		3754		-		-		-	
			21.2	1.22	24.9	1.24	24.4	1.24	23.6	1.22	21.2	1.34	-		-		-	
	720	6786	12109		10633		8762		5976		3822		-		-		-	
21.4			1.23	25.1	1.26	24.5	1.26	23.9	1.23	21.4	1.36	-		-		-		
740	6974	12445		11018		9223		6749		4272		2867		-		-		
			22.4	1.34	26.2	1.37	25.7	1.37	25.3	1.34	22.5	1.44	22.4	1.59	-		-	
2	770	7257	12950		11590		9905		7772		5032		3499		-		-	
			24.0	1.51	27.9	1.54	27.5	1.54	27.3	1.52	25.1	1.58	24.0	1.73	-		-	
	800	7540	13455		12158		10575		8667		5850		4160		2911		-	
			25.8	1.69	29.8	1.72	29.4	1.73	28.9	1.71	27.5	1.72	25.8	1.87	25.8	2.04	-	
	824	7766	13858		12609		11090		9290		6656		4702		3425		-	
26.9			1.85	31.3	1.88	30.9	1.89	30.2	1.88	29.5	1.85	27.1	2.00	26.9	2.16	-		
830	7823	13959		12721		11218		9444		6854		4836		3551		-		
		27.2	1.89	31.7	1.92	31.3	1.94	30.6	1.92	30.0	1.89	27.6	2.03	27.2	2.20	-		

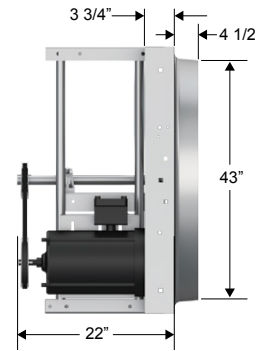
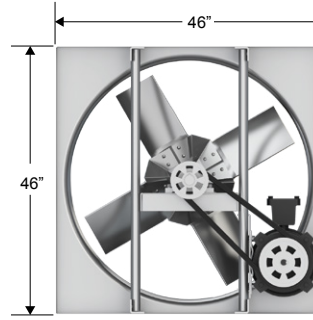
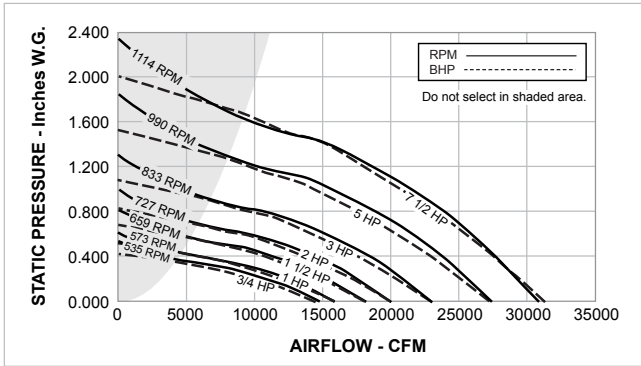
Table continued on next page.

BCH36 | BELT DRIVE

HP	RPM	Tip Speed FPM	0.000" SP		0.125" SP		0.250" SP		0.375" SP		0.500" SP		0.625" SP		0.750" SP		1.000" SP	
			CFM		CFM		CFM		CFM		CFM		CFM		CFM		CFM	
			Sones	BHP	Sones	BHP	Sones	BHP	Sones	BHP	Sones	BHP	Sones	BHP	Sones	BHP	Sones	BHP
3	850	8011	14295		13095		11642		9954		7616		5333		3968		-	
			28.3	2.03	33.1	2.06	32.6	2.08	31.9	2.07	31.7	2.02	29.4	2.14	28.3	2.30	-	
	880	8294	14800		13652		12271		10689		8697		6134		4640		-	
			30.4	2.25	35.5	2.29	34.7	2.31	34.0	2.30	34.7	2.26	31.8	2.32	30.4	2.48	-	
	908	8558	15271		14170		12852		11335		9543		6999		5270		-	
			32.6	2.47	38.3	2.51	36.8	2.53	36.0	2.53	36.3	2.49	34.6	2.50	32.7	2.66	-	
	920	8671	15473		14388		13099		11609		9901		7399		5539		-	
			33.6	2.57	39.1	2.61	37.6	2.63	36.9	2.63	36.9	2.60	35.8	2.58	33.6	2.74	-	
	940	8859	15809		14747		13509		12062		10431		8105		6081		3711	
			35.1	2.74	40.4	2.78	39.0	2.81	38.4	2.81	38.1	2.78	37.6	2.73	35.4	2.88	35.1	3.25
	970	9142	16314		15285		14102		12734		11202		9288		6878		4343	
			37.6	3.01	42.7	3.06	41.4	3.08	40.5	3.09	40.0	3.07	40.4	3.02	38.0	3.09	37.6	3.46
5	1000	9425	16818		15820		14685		13386		11960		10213		7845		4988	
			40.3	3.30	40.3	3.35	44.0	3.37	43.0	3.39	42.1	3.37	43.0	3.32	41.1	3.33	40.3	3.69
	1042	9821	17525		16567		15495		14278		12940		11429		9366		5941	
			43.1	3.73	43.1	3.78	47.5	3.81	46.5	3.83	45.5	3.82	45.6	3.78	45.4	3.73	42.7	4.04
	1050	9896	17659		16708		15648		14447		13124		11637		9682		6119	
			43.7	3.82	43.7	3.87	48.2	3.90	47.2	3.92	46.2	3.91	46.1	3.88	46.2	3.82	43.2	4.11
	1100	10367	18500		17593		16600		15491		14256		12917		11326		7412	
			47.6	4.39	47.6	4.44	53.3	4.48	51.8	4.50	50.7	4.50	49.7	4.48	51.2	4.43	47.1	4.57
	1150	10838	19341		18473		17544		16519		15356		14122		12742		8902	
			51.5	5.02	51.5	5.07	58.0	5.11	56.4	5.14	55.2	5.15	54.1	5.12	54.4	5.09	52.6	5.07

Performance certified is for installation type A: free inlet, free outlet. Power rating (BHP) does not include transmission losses. The sound ratings shown are for loudness values in fan sonos at 5'0" (1.5m) in a hemispherical free field calculated per AMCA International Standard 301. Values shown are for installation Type A: Free inlet hemispherical sone levels. Performance ratings do not include the effects of appurtenances.

BCH42 | BELT DRIVE



Max. Motor Frame Size = 184T	Peak BHP = $(RPM/676)^3$	Max. RPM = 1114 (10 HP)
------------------------------	--------------------------	-------------------------

HP	RPM	Tip Speed FPM	0.000" SP		0.100" SP		0.125" SP		0.200" SP		0.250" SP		0.375" SP		0.500" SP		0.625" SP		0.750" SP		1.000" SP			
			CFM		CFM		CFM		CFM		CFM		CFM		CFM		CFM		CFM		CFM		CFM	
			Sones	BHP	Sones	BHP	Sones	BHP	Sones	BHP	Sones	BHP	Sones	BHP	Sones	BHP	Sones	BHP	Sones	BHP	Sones	BHP	Sones	BHP
3/4	460	5058	11669		9144		8396		5496		-		-		-		-		-		-		-	
			12.8	0.600	12.2	0.604	12.0	0.598	12.0	0.612	-		-		-		-		-		-		-	
1	535	5883	13572		11503		10888		8868		7274		-		-		-		-		-		-	
			16.9	0.945	16.4	0.955	16.2	0.952	15.7	0.942	15.3	0.955	-		-		-		-		-		-	
	540	5938	13699		11656		11047		9061		7498		-		-		-		-		-		-	
			17.2	0.971	16.6	0.983	16.5	0.979	16.0	0.968	15.6	0.981	-		-		-		-		-		-	
1 1/2	565	6212	14333		12400		11834		10007		8572		-		-		-		-		-		-	
			18.3	1.113	17.8	1.126	17.7	1.123	17.2	1.107	16.8	1.115	-		-		-		-		-		-	
	573	6300	14536		12634		12084		10305		8904		-		-		-		-		-		-	
			18.7	1.161	18.2	1.174	18.1	1.172	17.6	1.154	17.2	1.162	-		-		-		-		-		-	
	580	6377	14714		12839		12301		10556		9192		-		-		-		-		-		-	
			19.0	1.204	18.6	1.218	18.4	1.216	17.9	1.198	17.5	1.203	-		-		-		-		-		-	
2	659	7246	16718		15106		14660		13206		12165		9077		-		-		-		-		-	
			23.0	1.765	23.0	1.785	23.0	1.786	22.0	1.778	22.0	1.760	21.0	1.783	-		-		-		-		-	
	670	7367	16997		15417		14979		13558		12541		9566		-		-		-		-		-	
			23.0	1.855	23.0	1.875	23.0	1.877	23.0	1.869	22.0	1.853	21.0	1.868	-		-		-		-		-	
700	7697	17758		16261		15841		14509		13553		10832		-		-		-		-		-		
		25.0	2.116	25.0	2.138	25.0	2.139	24.0	2.135	24.0	2.122	23.0	2.118	-		-		-		-		-		
3	727	7994	18443		17015		16611		15353		14448		11928		8663		-		-		-		-	
			25.0	2.370	24.0	2.395	24.0	2.396	24.0	2.394	23.0	2.385	23.0	2.364	22.0	2.417	-		-		-		-	
	740	8137	18773		17377		16980		15756		14868		12429		9536		-		-		-		-	
			24.0	2.500	24.0	2.525	24.0	2.527	23.0	2.527	23.0	2.517	23.0	2.491	22.0	2.539	-		-		-		-	
	760	8357	19280		17925		17545		16371		15507		13189		10439		-		-		-		-	
25.0			2.708	24.0	2.735	24.0	2.737	24.0	2.739	24.0	2.730	23.0	2.696	23.0	2.736	-		-		-		-		
790	8687	20041		18737		18387		17272		16454		14309		11746		-		-		-		-		
		26.0	3.041	26.0	3.069	26.0	3.073	25.0	3.078	25.0	3.070	24.0	3.025	23.0	3.054	-		-		-		-		

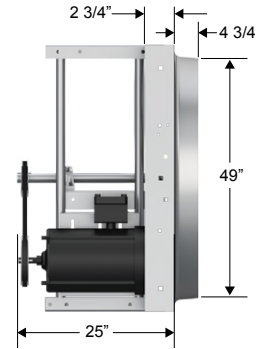
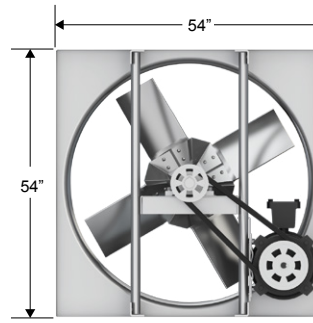
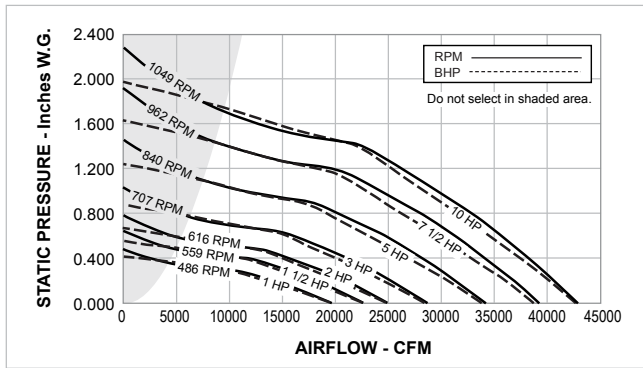
Table continued on next page.

BCH42 | BELT DRIVE

HP	RPM	Tip Speed FPM	0.000" SP		0.100" SP		0.125" SP		0.200" SP		0.250" SP		0.375" SP		0.500" SP		0.625" SP		0.750" SP		1.000" SP			
			CFM		CFM		CFM		CFM		CFM		CFM		CFM		CFM		CFM		CFM		CFM	
			Sones	BHP	Sones	BHP	Sones	BHP	Sones	BHP	Sones	BHP	Sones	BHP	Sones	BHP	Sones	BHP	Sones	BHP	Sones	BHP	Sones	BHP
5	833	9159	21132		19895		19585		18527		17790		15781		13519		10918		-		-			
			29.0	3.566	28.0	3.595	28.0	3.602	27.0	3.607	27.0	3.605	26.0	3.566	24.0	3.557	23.0	3.617	-	-	-	-		
	840	9236	21310		20083		19777		18730		18006		16017		13794		11235		-		-			
			30.0	3.656	29.0	3.686	29.0	3.693	28.0	3.698	27.0	3.697	26.0	3.659	25.0	3.646	24.0	3.703	-	-	-	-		
	880	9676	22324		21154		20861		19882		19215		17352		15321		12996		9772		-			
			32.0	4.204	31.0	4.235	31.0	4.243	30.0	4.251	29.0	4.254	28.0	4.226	27.0	4.185	26.0	4.223	24.0	4.299	-	-		
	900	9896	22832		21687		21401		20454		19802		18006		16071		13830		11379		-			
			33.0	4.497	32.0	4.529	32.0	4.537	31.0	4.547	30.0	4.550	29.0	4.527	28.0	4.474	26.0	4.504	24.0	4.575	-	-		
	930	10226	23593		22485		22208		21307		20676		18966		17136		15061		12749		-			
			34.0	4.962	33.0	4.995	33.0	5.003	32.0	5.016	32.0	5.019	30.0	5.001	29.0	4.945	27.0	4.951	27.0	5.015	-	-		
	7 1/2	960	10556	24354		23281		23012		22155		21543		19914		18159		16224		14068		-		
				36.0	5.458	35.0	5.492	34.0	5.500	34.0	5.516	33.0	5.520	32.0	5.507	30.0	5.457	29.0	5.438	28.0	5.485	-	-	
990		10886	25115		24074		23814		22998		22405		20853		19168		17360		15320		-			
			37.0	5.986	36.0	6.021	36.0	6.029	35.0	6.049	34.0	6.052	33.0	6.046	32.0	6.002	30.0	5.958	29.0	5.992	-	-		
1000		10996	25368		24338		24081		23278		22691		21163		19502		17735		15732		-			
			38.0	6.169	37.0	6.204	36.0	6.213	35.0	6.234	35.0	6.237	33.0	6.233	32.0	6.192	30.0	6.138	29.0	6.168	-	-		
1020		11215	25876		24866		24613		23836		23261		21782		20165		18476		16549		11596			
			39.0	6.546	37.0	6.582	37.0	6.591	36.0	6.614	36.0	6.618	34.0	6.618	33.0	6.583	31.0	6.510	30.0	6.531	30.0	6.688		
1040		11435	26383		25393		25145		24393		23829		22397		20817		19166		17327		13187			
			40.0	6.939	38.0	6.976	38.0	6.985	37.0	7.011	37.0	7.014	35.0	7.019	34.0	6.986	32.0	6.916	31.0	6.917	31.0	7.058		
1070		11765	27144		26182		25941		25219		24677		23304		21777		20190		18471		14548			
			41.0	7.557	40.0	7.595	39.0	7.604	39.0	7.633	38.0	7.638	37.0	7.648	35.0	7.616	34.0	7.554	32.0	7.525	31.0	7.643		
10	1095	12040	27778		26838		26603		25897		25380		24039		22569		21034		19411		15661			
			42.0	8.099	41.0	8.138	41.0	8.148	40.0	8.177	39.0	8.185	38.0	8.195	36.0	8.169	35.0	8.114	33.0	8.059	31.0	8.155		
	1114	12249	28260		27336		27336		26411		25912		24595		23167		21669		20118		16475			
43.0			8.528	42.0	8.568	42.0	8.568	41.0	8.607	40.0	8.618	39.0	8.628	37.0	8.607	36.0	8.557	34.0	8.481	32.0	8.565			

Performance certified is for installation type A: free inlet, free outlet. Power rating (BHP) does not include transmission losses. The sound ratings shown are for loudness values in fan sones at 5'0" (1.5m) in a hemispherical free field calculated per AMCA International Standard 301. Values shown are for installation Type A: Free inlet hemispherical sone levels. Performance ratings do not include the effects of appurtenances.

BCH48 | BELT DRIVE



Max. Motor Frame Size = 286T	Peak BHP = (RPM/555) ³	Max. RPM = 1049 (10 HP)
------------------------------	-----------------------------------	-------------------------

HP	RPM	Tip Speed FPM	0.000" SP		0.100" SP		0.125" SP		0.200" SP		0.250" SP		0.375" SP		0.500" SP		0.625" SP		0.750" SP		1.000" SP			
			CFM		CFM		CFM		CFM		CFM		CFM		CFM		CFM		CFM		CFM		CFM	
			Sones	BHP	Sones	BHP	Sones	BHP	Sones	BHP	Sones	BHP	Sones	BHP	Sones	BHP	Sones	BHP	Sones	BHP	Sones	BHP	Sones	BHP
1	400	5027	16306		13155		12208		8806		3537		-		-		-		-		-			
	440	5529	9.9 0.56		9.9 0.59		9.9 0.59		9.5 0.57		9.2 0.54		-		-		-		-		-			
			17936		15132		14335		11467		9128		-		-		-		-		-			
486	6107	19811		17327		16629		14313		12435		-		-		-		-		-				
		14.2 1.00		14.2 1.04		14.2 1.05		14.2 1.06		14.0 1.04		-		-		-		-		-				
1 1/2	490	6158	19974		17514		16824		14541		12696		4341		-		-		-		-			
			14.5 1.02		14.5 1.07		14.5 1.08		14.5 1.09		14.2 1.07		13.0 0.99		-		-		-		-			
	525	6597	21401		19137		18509		16477		14930		8629		-		-		-		-			
			16.8 1.26		16.7 1.31		16.6 1.32		16.7 1.34		16.8 1.33		15.5 1.23		-		-		-		-			
559	7025	22787		20693		20102		18259		16890		12841		-		-		-		-				
		19.4 1.52		19.2 1.57		19.1 1.58		18.9 1.62		19.5 1.62		19.0 1.55		-		-		-		-				
2	570	7163	23236		21188		20613		18825		17507		13573		5388		-		-		-			
			20.0 1.61		20.0 1.66		20.0 1.68		19.8 1.71		20.0 1.72		20.0 1.66		19.4 1.55		-		-		-			
	600	7540	24459		22521		21995		20312		19111		15541		8970		-		-		-			
			23.0 1.87		22.0 1.93		22.0 1.95		22.0 1.99		22.0 2.00		23.0 1.96		22.0 1.82		-		-		-			
616	7741	25111		23228		22726		21096		19948		16573		11910		-		-		-				
		24.0 2.03		24.0 2.09		24.0 2.10		24.0 2.15		23.0 2.16		24.0 2.14		24.0 2.02		-		-		-				
3	620	7791	25274		23404		22909		21290		20156		16830		12683		-		-		-			
			25.0 2.07		24.0 2.13		24.0 2.14		24.0 2.19		24.0 2.21		25.0 2.18		25.0 2.08		-		-		-			
	660	8294	26905		25159		24700		23220		22176		19286		15793		8604		-		-			
			29.0 2.49		28.0 2.56		28.0 2.58		28.0 2.62		28.0 2.65		29.0 2.66		29.0 2.58		29.0 2.41		-		-			
707	8884	28820		27203		26775		25424		24474		21930		18861		15556		7493		-				
		32.0 3.06		31.0 3.14		30.0 3.42		30.0 3.20		29.0 3.24		29.0 3.28		30.0 3.23		29.0 3.12		29.0 2.95		-				
5	710	8922	28943		27333		26907		25563		24619		22090		19054		15793		7796		-			
			32.0 3.10		31.0 3.18		31.0 3.19		30.0 3.24		29.0 3.28		29.0 3.32		30.0 3.27		29.0 3.16		28.0 2.98		-			
	770	9676	31389		29921		29527		28328		27470		25238		22721		19765		16597		-			
			35.0 3.96		34.0 4.04		34.0 4.06		33.0 4.11		32.0 4.15		31.0 4.23		30.0 4.22		29.0 4.14		29.0 4.01		-			
	810	10179	33019		31627		31260		30138		29332		27243		24976		22338		19453		8006			
37.0 4.61			36.0 4.69		36.0 4.71		35.0 4.77		34.0 4.81		32.0 4.90		31.0 4.93		30.0 4.87		29.0 4.77		27.0 4.44					
840	10556	34242		32900		32554		21472		30715		28716		26677		24204		21423		11532				
		39.0 5.14		38.0 5.23		37.0 5.25		36.0 5.31		36.0 5.35		34.0 5.44		32.0 5.49		31.0 5.47		31.0 5.37		29.0 4.97				

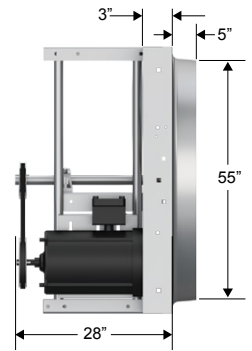
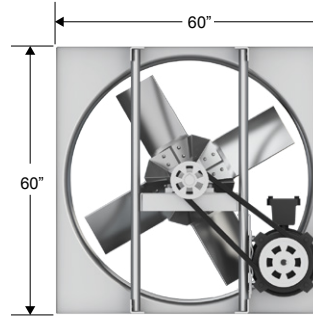
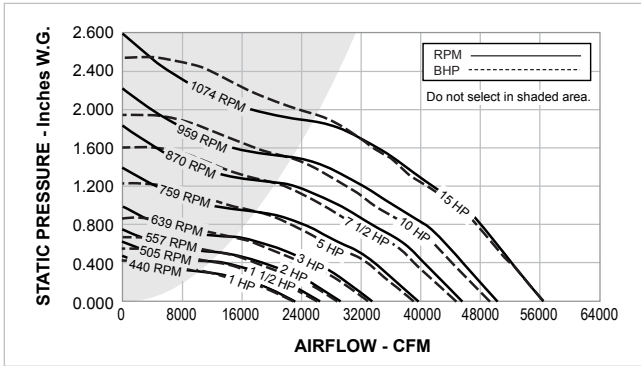
Table continued on next page.

BCH48 | BELT DRIVE

HP	RPM	Tip Speed FPM	0.000" SP		0.100" SP		0.125" SP		0.200" SP		0.250" SP		0.375" SP		0.500" SP		0.625" SP		0.750" SP		1.000" SP			
			CFM		CFM		CFM		CFM		CFM		CFM		CFM		CFM		CFM		CFM		CFM	
			Sones	BHP	Sones	BHP	Sones	BHP	Sones	BHP	Sones	BHP	Sones	BHP	Sones	BHP	Sones	BHP	Sones	BHP	Sones	BHP	Sones	BHP
7 1/2	850	10681	34650		33323		32984		31915		31173		29204		27104		24780		22074		12914			
			40.0	5.33	38.0	5.41	38.0	5.43	37.0	5.50	36.0	5.54	35.0	5.63	33.0	5.69	32.0	5.67	31.0	5.58	29.0	5.18		
	890	11184	36280		35014		34697		33679		32997		31137		29188		27051		24641		19252			
			42.0	6.11	41.0	6.20	40.0	6.23	39.0	6.29	39.0	6.34	37.0	6.44	35.0	6.52	33.0	6.53	33.0	6.47	32.0	6.20		
	910	11435	37096		35857		35547		34557		33891		32091		30202		28165		25901		20780			
			43.0	6.54	42.0	6.63	42.0	6.65	40.0	6.72	40.0	6.76	38.0	6.87	36.0	6.96	34.0	6.99	34.0	6.94	33.0	6.69		
950	11938	38726		37539		37243		36306		35668		33969		32181		30286		28223		23428				
		46.0	7.44	44.0	7.53	44.0	7.56	43.0	7.63	42.0	7.67	40.0	7.79	38.0	7.89	36.0	7.94	35.0	7.93	35.0	7.73			
962	12089	39216		38043		37750		36828		36198		34529		32770		30915		28904		24218				
		46.0	7.72	45.0	7.82	45.0	7.84	43.0	7.92	43.0	7.96	41.0	8.087	39.0	8.18	37.0	8.25	36.0	8.24	35.0	8.05			
10	970	12189	39542		38379		38089		37176		36551		34902		33161		31333		29355		24741			
			47.0	7.91	45.0	8.01	45.0	8.04	44.0	8.11	43.0	8.16	41.0	8.27	39.0	8.38	37.0	8.45	36.0	8.45	35.0	8.27		
	990	12441	40357		39218		38933		38045		37433		35830		34135		32372		30476		26038			
			48.0	8.41	47.0	8.52	46.0	8.54	45.0	8.62	44.0	8.66	42.0	8.378	40.0	8.89	39.0	8.98	37.0	9.00	36.0	8.84		
	1015	12755	41376		40265		39987		39128		38531		36984		35344		33647		31821		27646			
			50.0	9.07	48.0	9.17	48.0	9.20	47.0	9.27	46.0	9.32	44.0	9.45	42.0	9.56	40.0	9.67	38.0	9.70	37.0	9.58		
	1035	13006	42191		41102		40830		39992		39406		37903		36305		34641		32878		28916			
			51.0	9.61	50.0	9.72	49.0	9.75	48.0	9.83	47.0	9.88	45.0	10.00	43.0	10.12	41.0	10.23	39.0	10.27	38.0	10.19		
	1049	13182	42762		41687		41419		40596		40018		38544		36971		35333		33614		29797			
			52.0	10.01	51.0	10.12	50.0	10.14	49.0	10.22	48.0	10.28	46.0	10.40	44.0	10.52	42.0	10.63	40.0	10.69	38.0	10.63		

Performance certified is for installation type A: free inlet, free outlet. Power rating (BHP) does not include transmission losses. The sound ratings shown are for loudness values in fan sones at 5'0" (1.5m) in a hemispherical free field calculated per AMCA International Standard 301. Values shown are for installation Type A: Free inlet hemispherical sone levels. Performance ratings do not include the effects of appurtenances.

BCH54 | BELT DRIVE



Max. Motor Frame Size = 286T	Peak BHP = (RPM/416) ³	Max. RPM = 1074 (15 HP)
------------------------------	-----------------------------------	-------------------------

HP	RPM	Tip Speed FPM	0.000" SP		0.100" SP		0.125" SP		0.200" SP		0.250" SP		0.375" SP		0.500" SP		0.625" SP		0.750" SP		1.000" SP			
			CFM		CFM		CFM		CFM		CFM		CFM		CFM		CFM		CFM		CFM		CFM	
			Sones	BHP	Sones	BHP	Sones	BHP	Sones	BHP	Sones	BHP	Sones	BHP	Sones	BHP	Sones	BHP	Sones	BHP	Sones	BHP	Sones	BHP
1	300	4241	15731		10711		8686		-		-		-		-		-		-		-		-	
			8.5	0.33	7.5	0.34	7.4	0.33	-		-		-		-		-		-		-		-	
	340	4807	17828		13961		12337		-		-		-		-		-		-		-		-	
			10.7	0.47	9.8	0.49	9.4	0.49	-		-		-		-		-		-		-		-	
440	6220	23072		20334		19647		16439		13927		-		-		-		-		-		-		
		16.9	1.03	16.2	1.05	16.0	1.05	15.1	1.07	14.7	1.05	-		-		-		-		-		-		
1 1/2	450	6362	23596		20918		20252		17268		14922		-		-		-		-		-		-	
			17.6	1.10	16.8	1.12	16.6	1.12	15.8	1.14	15.3	1.10	-		-		-		-		-		-	
	505	7139	26480		24108		23498		21572		19462		13255		-		-		-		-		-	
			21.0	1.55	20.0	1.58	19.9	1.58	19.3	1.59	18.9	1.61	18.0	1.52	-		-		-		-		-	
2	510	7210	26743		24397		23789		21945		19872		13984		-		-		-		-		-	
			21.0	1.59	20.0	1.62	20.0	1.63	19.6	1.64	19.2	1.65	18.3	1.58	-		-		-		-		-	
	557	7874	29207		27083		26515		24879		23548		18852		-		-		-		-		-	
			26.0	2.08	25.0	2.11	25.0	2.12	24.0	2.13	23.0	2.14	23.0	2.14	-		-		-		-		-	
3	560	7917	29365		27253		26688		25062		23773		19101		-		-		-		-		-	
			26.0	2.11	25.0	2.14	25.0	2.15	24.0	2.16	24.0	2.17	24.0	2.17	-		-		-		-		-	
	639	9034	33507		31696		31201		29735		28796		25495		21360		-		-		-		-	
			37.0	3.14	37.0	3.16	37.0	3.18	35.0	3.21	34.0	3.21	34.0	3.24	36.0	3.22	-		-		-		-	
5	650	9189	34084		32309		31822		30375		29452		26371		22322		16821		-		-		-	
			37.0	3.30	37.0	3.33	37.0	3.34	35.0	3.38	34.0	3.38	34.0	3.41	35.0	3.40	34.0	3.22	-		-		-	
	700	9896	36706		35075		34631		33276		32403		30173		26351		22451		-		-		-	
			37.0	4.13	36.0	4.15	36.0	4.16	35.0	4.21	34.0	4.22	32.0	4.23	32.0	4.29	32.0	4.22	-		-		-	
759	10730	39800		38296		37916		36666		35833		33840		31118		27481		23812		-		-		
		37.0	5.26	35.0	5.28	35.0	5.29	34.0	5.34	33.0	5.37	32.0	5.38	30.0	5.42	29.0	5.49	28.0	5.36	-		-		
7 1/2	770	10886	40376		38894		38524		37293		34672		34512		31962		28407		24912		-		-	
			37.0	5.49	36.0	5.52	35.0	5.52	34.0	5.57	34.0	5.61	32.0	5.61	31.0	5.65	30.0	5.72	29.0	5.62	-		-	
	820	11592	42998		41607		41259		40129		39357		37490		35590		32519		29211		20950		-	
			40.0	6.63	39.0	6.66	38.0	6.66	37.0	6.71	36.0	6.75	35.0	6.78	33.0	6.80	32.0	6.86	31.0	6.89	29.0	6.45	-	
870	12299	45620		44308		43981		42941		42214		40426		38682		36426		33323		26849		-		
		43.0	7.92	42.0	7.95	41.0	7.96	40.0	7.99	39.0	8.03	38.0	8.10	36.0	8.10	35.0	8.15	34.0	8.22	33.0	8.04	-		

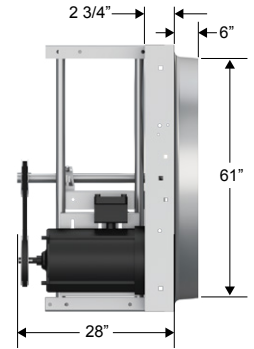
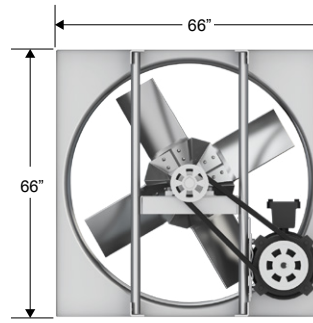
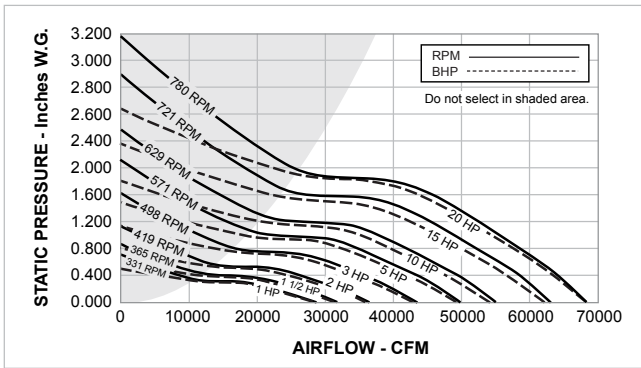
Table continued on next page.

BCH54 | BELT DRIVE

HP	RPM	Tip Speed FPM	0.000" SP		0.100" SP		0.125" SP		0.200" SP		0.250" SP		0.375" SP		0.500" SP		0.625" SP		0.750" SP		1.000" SP			
			CFM		CFM		CFM		CFM		CFM		CFM		CFM		CFM		CFM		CFM		CFM	
			Sones	BHP	Sones	BHP	Sones	BHP	Sones	BHP	Sones	BHP	Sones	BHP	Sones	BHP	Sones	BHP	Sones	BHP	Sones	BHP	Sones	BHP
10	880	12441	46145		44848		44524		43501		42782		41009		39295		37180		34145		27855			
			44.0	8.20	42.0	8.23	42.0	8.23	41.0	8.27	40.0	8.31	38.0	8.38	36.0	8.38	35.0	8.43	34.0	8.49	33.0	8.36		
	900	12723	47193		45925		45608		44619		43916		42171		40504		38678		35762		29844			
			45.0	8.77	44.0	8.80	43.0	8.80	42.0	8.84	41.0	8.88	39.0	8.96	37.0	8.96	36.0	9.00	35.0	9.06	34.0	8.99		
	920	13006	48242		47002		46691		45734		45047		43328		41697		39992		37354		31628			
			47.0	9.37	45.0	9.40	45.0	9.40	43.0	9.43	42.0	9.47	40.0	9.58	39.0	9.58	37.0	9.61	36.0	9.66	35.0	9.66		
	940	13289	49291		48077		47773		46847		46174		44492		42884		41234		38913		33197			
			48.0	9.99	46.0	10.02	46.0	10.03	45.0	10.06	44.0	10.10	42.0	10.20	40.0	10.21	38.0	10.24	37.0	10.29	36.0	10.36		
	959	13558	50287		49097		48800		47901		47242		45593		44007		42407		40353		34671			
			49.0	10.61	47.0	10.64	47.0	10.65	46.0	10.67	45.0	10.71	43.0	10.82	41.0	10.85	39.0	10.86	38.0	10.91	37.0	11.07		
	15	970	13713	50864		49687		49393		48511		47859		46229		44654		43083		41181		35599		
				50.0	10.98	48.0	11.01	48.0	11.02	46.0	11.04	45.0	11.08	43.0	11.19	41.0	11.22	40.0	11.23	38.0	11.28	37.0	11.40	
990		13996	51913		50760		50472		49607		48979		47382		45827		44307		42675		37271			
			51.0	11.67	49.0	11.70	49.0	11.71	48.0	11.73	47.0	11.77	44.0	11.88	42.0	11.93	41.0	11.93	39.0	11.98	38.0	12.13		
1010		14279	52961		51831		51549		50702		50096		48531		46996		45510		43945		38924			
			52.0	12.40	50.0	12.43	50.0	12.43	49.0	12.46	48.0	12.49	46.0	12.60	44.0	12.67	42.0	12.67	40.0	12.71	39.0	12.85		
1030		14561	54010		52902		52625		51794		51211		49676		48159		46703		45187		40553			
			54.0	13.15	52.0	13.18	51.0	13.19	50.0	13.21	49.0	13.24	47.0	13.35	45.0	13.44	43.0	13.44	41.0	13.47	40.0	13.60		
1050		14844	55059		53972		53700		52885		52323		50817		49318		47890		46422		42154			
			55.0	13.93	53.0	13.96	53.0	13.97	52.0	13.99	51.0	14.02	48.0	14.13	46.0	14.24	44.0	14.24	42.0	14.26	41.0	14.38		
1074		15183	56317		55255		54989		54192		53655		52183		50711		49307		47895		44056			
			57.0	14.91	55.0	14.94	55.0	14.94	53.0	14.97	52.0	14.99	50.0	15.11	48.0	15.22	46.0	15.23	44.0	15.24	42.0	15.35		

Performance certified is for installation type A: free inlet, free outlet. Power rating (BHP) does not include transmission losses. The sound ratings shown are for loudness values in fan sones at 5'0" (1.5m) in a hemispherical free field calculated per AMCA International Standard 301. Values shown are for installation Type A: Free inlet hemispherical sone levels. Performance ratings do not include the effects of appurtenances.

BCH60 | BELT DRIVE



Max. Motor Frame Size = 286T	Peak BHP = $(RPM/246)^3$	Max. RPM = 780 (20 HP)
------------------------------	--------------------------	------------------------

HP	RPM	Tip Speed FPM	0.000" SP		0.100" SP		0.125" SP		0.200" SP		0.250" SP		0.375" SP		0.500" SP		0.625" SP		0.750" SP		1.000" SP			
			CFM		CFM		CFM		CFM		CFM		CFM		CFM		CFM		CFM		CFM		CFM	
			Sones	BHP	Sones	BHP	Sones	BHP	Sones	BHP	Sones	BHP	Sones	BHP	Sones	BHP	Sones	BHP	Sones	BHP	Sones	BHP	Sones	BHP
1 1/2	241	3786	21063		15681		13828		-	-	-	-	-	-	-	-	-	-	-	-	-	-		
			10.2	0.59	9.7	0.62	9.8	0.62	-	-	-	-	-	-	-	-	-	-	-	-	-	-	-	-
	270	4241	23598		18983		17597		-	-	-	-	-	-	-	-	-	-	-	-	-	-		
			12.4	0.83	11.6	0.86	11.7	0.87	-	-	-	-	-	-	-	-	-	-	-	-	-	-	-	-
331	5199	28929		25548		24423		21005	17965	-	-	-	-	-	-	-	-	-	-	-	-	-		
		18.0	1.52	16.9	1.57	16.6	1.58	16.7	1.60	17.1	1.60	-	-	-	-	-	-	-	-	-	-	-	-	-
2	340	5341	29716		26485		25389		22081	19435	-	-	-	-	-	-	-	-	-	-	-	-		
			18.9	1.65	17.8	1.70	17.4	1.71	17.4	1.74	17.7	1.74	-	-	-	-	-	-	-	-	-	-	-	-
	365	5733	31901		28976		20834		24948	22847	-	-	-	-	-	-	-	-	-	-	-	-		
			21.0	2.04	20.0	2.10	20.0	2.11	19.6	2.14	19.8	2.15	-	-	-	-	-	-	-	-	-	-	-	-
3	370	5812	32338		29461		28557		25515	23476	-	-	-	-	-	-	-	-	-	-	-			
			22.0	2.12	21.0	2.19	21.0	2.20	20.0	2.23	20.0	2.24	-	-	-	-	-	-	-	-	-	-	-	-
	419	6582	36620		34154		33453		30927	29128	24180	-	-	-	-	-	-	-	-	-	-			
			26.0	3.08	25.0	3.16	25.0	3.17	24.0	3.21	24.0	3.23	24.0	3.25	-	-	-	-	-	-	-	-	-	-
5	430	6754	37582		35196		34513		32108	30360	25766	-	-	-	-	-	-	-	-	-				
			27.0	3.33	26.0	3.41	26.0	3.43	25.0	3.47	24.0	3.49	24.0	3.52	-	-	-	-	-	-	-	-	-	
	498	7823	43525		41530		40977		39208	37731	33957	29964	18028	-	-	-	-	-	-	-				
			33.0	5.18	31.0	5.27	31.0	5.29	30.0	5.35	30.0	5.37	29.0	5.43	27.0	5.47	25.0	5.38	-	-	-	-		
7 1/2	510	8011	44574		42626		42105		40378	38997	35318	31527	24750	-	-	-	-	-	-					
			34.0	5.56	33.0	5.65	32.0	5.68	31.0	5.74	31.0	5.77	29.0	5.83	28.0	5.87	27.0	5.75	-	-	-			
	545	8561	47632		45810		45354		43761	42643	39218	35774	31807	19636	-	-	-	-						
			37.0	6.78	36.0	6.89	35.0	6.91	34.0	6.98	34.0	7.02	32.0	7.09	30.0	7.15	30.0	7.16	28.0	7.06	-			
571	8969	49905		48165		47731		46250	45222	42053	38752	35350	30653	-	-	-	-							
		39.0	7.80	38.0	7.91	38.0	7.94	37.0	8.01	36.0	8.05	34.0	8.13	32.0	8.19	31.0	8.24	31.0	8.20	-				
10	580	9111	50692		48979		48551		47108	46095	43022	39775	36488	32359	-	-	-	-						
			40.0	8.18	39.0	8.29	38.0	8.31	37.0	8.38	37.0	8.43	35.0	8.51	33.0	8.58	32.0	8.63	31.0	8.62	-			
	600	9425	52440		50784		50370		49007	48028	45159	42030	38914	35274	-	-	-	-						
			42.0	9.05	40.0	9.16	40.0	9.19	39.0	9.27	38.0	9.31	37.0	9.41	34.0	9.48	33.0	9.54	33.0	9.56	-			
	615	9660	53751		52135		51732		50426	49471	46748	43703	40651	37385	-	-	-	-						
43.0			9.75	42.0	9.86	41.0	9.89	40.0	9.97	40.0	10.02	38.0	10.12	36.0	10.19	34.0	10.26	34.0	10.30	-				
629	9880	54974		53395		53000		51745	50812	48221	45251	42257	39168	22607	-	-	-	-						
		44.0	10.43	43.0	10.55	43.0	10.58	42.0	10.66	41.0	10.71	39.0	10.81	37.0	10.89	35.0	10.96	34.0	11.02	33.0	10.86			

Table continued on next page.

BCH60 | BELT DRIVE

HP	RPM	Tip Speed FPM	0.000" SP		0.100" SP		0.125" SP		0.200" SP		0.250" SP		0.375" SP		0.500" SP		0.625" SP		0.750" SP		1.000" SP			
			CFM		CFM		CFM		CFM		CFM		CFM		CFM		CFM		CFM		CFM		CFM	
			Sones	BHP	Sones	BHP	Sones	BHP	Sones	BHP	Sones	BHP	Sones	BHP	Sones	BHP	Sones	BHP	Sones	BHP	Sones	BHP	Sones	BHP
15	640	10053	55936		54384		53996		52780		51862		49373		46459		43508		40554		27400			
			45.0	10.99	44.0	11.11	44.0	11.14	43.0	11.22	42.0	11.27	40.0	11.38	38.0	11.46	36.0	11.54	35.0	11.60	34.0	11.23		
	660	10367	57684		56179		55802		54655		53765		51453		48631		45775		42946		35529			
			47.0	12.05	46.0	12.17	45.0	12.20	44.0	12.29	44.0	12.34	42.0	12.47	39.0	12.55	37.0	12.63	36.0	12.70	36.0	12.67		
	680	10681	59432		57971		57606		56510		55660		53501		50779		48017		45256		38871			
			49.0	13.18	47.0	13.30	47.0	13.34	46.0	13.43	45.0	13.48	44.0	13.62	41.0	13.71	39.0	13.79	37.0	13.86	37.0	13.91		
	700	10996	61180		59761		59406		58342		57548		55450		52907		50234		47537		41763			
			51.0	14.37	49.0	14.5	49.0	14.54	48.0	14.64	47.0	14.69	45.0	14.83	43.0	14.93	41.0	15.02	39.0	15.10	38.0	15.19		
	721	11325	63015		61637		61293		60260		59522		57486		55124		52539		49919		44554			
			53.0	15.71	52.0	15.84	51.0	15.88	50.0	15.98	50.0	16.04	48.0	16.18	45.0	16.29	43.0	16.38	41.0	16.47	39.0	16.59		
	20	730	11467	63802		62441		62101		61080		60366		58355		56068		53517		50932		45694		
				54.0	16.30	53.0	16.44	53.0	16.47	51.0	16.58	51.0	16.64	49.0	16.78	47.0	16.90	44.0	16.99	42.0	17.08	40.0	17.22	
745		11702	65112		63779		63446		62446		61770		59800		57636		55136		52610		47579			
			56.0	17.33	55.0	17.47	55.0	17.50	54.0	17.61	53.0	17.68	51.0	17.82	49.0	17.95	47.0	18.04	44.0	18.13	42.0	18.29		
760		11938	66424		65117		64790		63810		63156		61239		59195		56744		54276		49345			
			59.0	18.40	57.0	18.54	57.0	18.57	56.0	18.68	55.0	18.75	53.0	18.90	51.0	19.04	49.0	19.13	46.0	19.23	43.0	19.39		
775		12174	67735		66453		66133		65171		64531		62675		60746		58343		55931		51083			
			61.0	19.51	59.0	19.65	59.0	19.69	58.0	19.80	57.0	19.87	55.0	20.02	53.0	20.17	51.0	20.27	49.0	20.37	45.0	20.54		
780		12252	68172		66898		66580		65625		64988		63152		61262		58874		56480		51660			
			62.0	19.89	60.0	20.03	60.0	20.07	59.0	20.18	58.0	20.25	56.0	20.41	54.0	20.56	52.0	20.66	49.0	20.76	45.0	20.93		

Performance certified is for installation type A: free inlet, free outlet. Power rating (BHP) does not include transmission losses. The sound ratings shown are for loudness values in fan sonos at 5'0" (1.5m) in a hemispherical free field calculated per AMCA International Standard 301. Values shown are for installation Type A: Free inlet hemispherical sone levels. Performance ratings do not include the effects of appurtenances.

PENNBARRY PRODUCT SOLUTIONS



Commercial

- Roof & wall exhaust centrifugal fans
- Ceiling, wall, & inline centrifugal fans
- Roof supply centrifugal fans
- Square & round centrifugal fans
- Wall mounted axial fans
- Hooded roof axial fans
- Upblast roof axial fans
- Gravity ventilators
- Roof curbs



Industrial

- Freestanding centrifugal fans
- Industrial & material handling fans
- Tubular centrifugal inline fans
- Mixed flow centrifugal fans
- Plug & plenum fans
- Wall mounted propeller fans
- Tube axial fans
- Vane axial fans
- Bifurcator fans
- Lab exhaust



Kitchen ventilation

- Make-up air units
- Exhaust fans



Energy recovery

- Outdoor units
- Indoor units

PennBarry is proud to be your preferred manufacturer of commercial and industrial fans and blowers. Learn how PennBarry can assist you in your next application by contacting your PennBarry Representative or visiting us on the web at www.pennbarry.com

PennBarry | www.pennbarry.com | pennbarrysales@pennbarry.com | Tel 972 212 4700 | Fax 972 212 4702

PennBarry reserves the right to make changes at any time, without notice, to models, construction, specifications, options and availability. This document illustrates the appearance of PennBarry products at the time of publication. View the latest updates on the PennBarry website.

© 2018 PennBarry. All rights reserved. BREEZEWAY SEPTEMBER 2018.



PENNBARRY™