



511 SOUTH 7TH STREET  
DELANO MN 55328  
**Phone: 763.972.2981**  
Fax: 763.972.2911

www.industriallouvers.com  
ilinfo@industriallouvers.com

# MODEL 653XP

## STANDARD CONSTRUCTION

Frame and blades to be 6" deep .081 extruded aluminum 6063 alloy.

1/2" mesh .063 flattened expanded aluminum bird screens in a removable extruded aluminum frame.

Finish to be mill.

## TECHNICAL DATA



Industrial Louvers, Inc. certifies that Model 653XP shown hereon is licensed to bear the AMCA Seal. The ratings shown are based on tests and procedures performed in accordance with AMCA Publication 511 and comply with the requirements of the AMCA Certified Ratings Program. The AMCA Certified Ratings Seal applies to air performance ratings and water penetration ratings.

## INSTALLATION

Model 653XP should be installed in accordance with manufacturers recommended attachment method and in accordance with state and federal building codes.

## WARRANTY

All materials and workmanship are warranted for a period of 1 year from date of completion.

## MAINTENANCE

None required.

## FEATURES

- All sizes are custom fabricated to meet project requirements.
- Rain gutters running the full length of the blade
- Integral water spouts at the jambs to drain water from the blades to the exterior of the building.
- Clip angles for installation.
- All welded assembly.

## OPTIONAL ACCESSORIES

Many optional accessories to the basic design are available at an additional cost. They include:

- Extended sill flashing
- Flanged frames of various sizes
- Hinged access panels
- Subframes
- Continuous perimeter angles
- Visible or invisible mullions for multiple section requirements.
- Anodized, Baked Enamel or Kynar finish

Please contact the factory for other special requirements.

## SUGGESTED SPECIFICATIONS

Furnish and install where indicated on the drawings ILI extruded aluminum drainable blade Model 653XP louvers as manufactured by Industrial Louvers, Inc., Delano, MN. Extruded aluminum frame and blades shall be designed to collect and drain water to exterior at sill by means of gutters in front edges of blades and of channels in jambs. Frames shall incorporate a drainable top blade. Frames and blade thickness to be .081" extruded aluminum 6063 alloy. Sill and jamb frames shall be continuously welded and caulked to help prevent water penetration to interior wall construction. Blades are attached by means of all-welded construction.

Louvers shall bear the AMCA Certified Ratings Seal for both air performance and water penetration. The louvers shall have a minimum of 8.77 sq. ft. (55%) free area on a 48 inch x 48 inch louver. The rating shall show a maximum water penetration at a point in excess of 1193.1 FPM. Static Pressure Loss to be not more than .15 inch of water gage at an air flow of 905 FPM free area velocity.

CATALOG NO. 653XP

Rev: JANUARY 2004

# MODEL 653XP

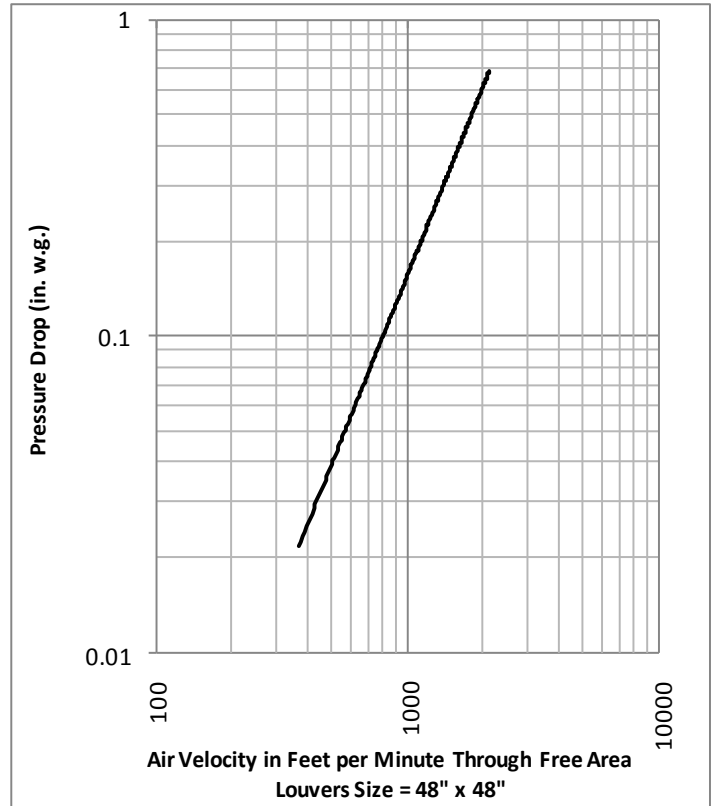
## Free Area in Square Feet And Square Meters

Free Area AMCA Licensed for openings up to 72" X 120".  
For free area data for larger openings, contact factory.

**FREE AREA IN SQUARE FEET AND SQUARE METERS**

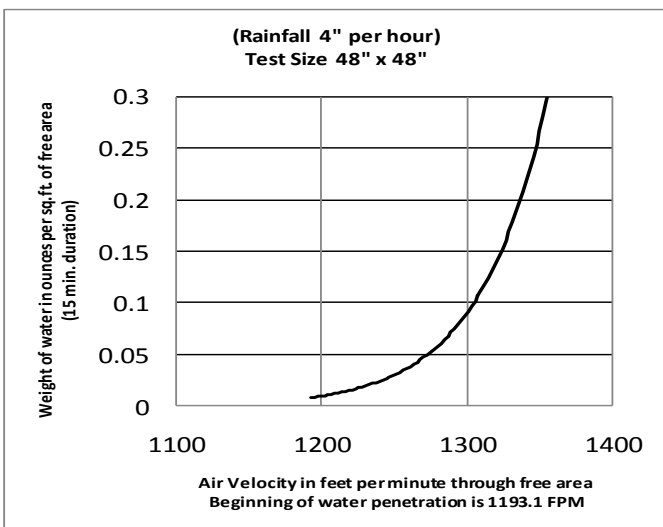
3048. mm	0.493	1.057	1.621	2.185	2.749	3.313
<b>120"</b>	<b>5.310</b>	<b>11.380</b>	<b>17.450</b>	<b>23.520</b>	<b>29.590</b>	<b>35.66</b>
2743.2 mm	0.442	0.947	1.452	1.957	2.462	2.967
<b>108"</b>	<b>4.756</b>	<b>10.191</b>	<b>15.627</b>	<b>21.062</b>	<b>26.498</b>	<b>31.933</b>
2438.4 mm	0.390	0.836	1.282	1.728	2.174	2.621
<b>96"</b>	<b>4.201</b>	<b>9.002</b>	<b>13.803</b>	<b>18.604</b>	<b>23.406</b>	<b>28.207</b>
2133.6 mm	0.339	0.726	1.113	1.500	1.887	2.274
<b>84"</b>	<b>3.647</b>	<b>7.813</b>	<b>11.980</b>	<b>16.147</b>	<b>20.313</b>	<b>24.480</b>
1828.8 mm	0.287	0.615	0.944	1.272	1.600	1.928
<b>72"</b>	<b>3.092</b>	<b>6.624</b>	<b>10.157</b>	<b>13.689</b>	<b>17.221</b>	<b>20.753</b>
1524. mm	0.236	0.505	0.774	1.043	1.313	1.582
<b>60"</b>	<b>2.538</b>	<b>5.436</b>	<b>8.333</b>	<b>11.231</b>	<b>14.129</b>	<b>17.027</b>
1219.2 mm	0.184	0.395	0.605	0.815	1.025	1.236
<b>48"</b>	<b>1.983</b>	<b>4.247</b>	<b>6.510</b>	<b>8.773</b>	<b>11.037</b>	<b>13.300</b>
914.4 mm	0.133	0.284	0.436	0.587	0.738	0.889
<b>36"</b>	<b>1.429</b>	<b>3.058</b>	<b>4.687</b>	<b>6.316</b>	<b>7.944</b>	<b>9.573</b>
609.6 mm	0.081	0.174	0.266	0.359	0.451	0.543
<b>24"</b>	<b>0.874</b>	<b>1.869</b>	<b>2.863</b>	<b>3.858</b>	<b>4.852</b>	<b>5.847</b>
304.8 mm	0.030	0.063	0.097	0.130	0.164	0.197
<b>12"</b>	<b>0.320</b>	<b>0.680</b>	<b>1.040</b>	<b>1.400</b>	<b>1.760</b>	<b>2.120</b>
<b>H/W</b>	304.8 mm	609.6 mm	914.4 mm	1219.2 mm	1524. mm	1828.8 mm
	12"	24"	36"	48"	60"	72"

## Performance Chart



The AMCA Certified Ratings Seal applies to Air Capacities in the intake mode only.

## Water Penetration Chart



Ratings do not include the effect of a bird screen.

NOTE: All tests are for standard .075 lb./cu. ft.

CATALOG NO. 653XP

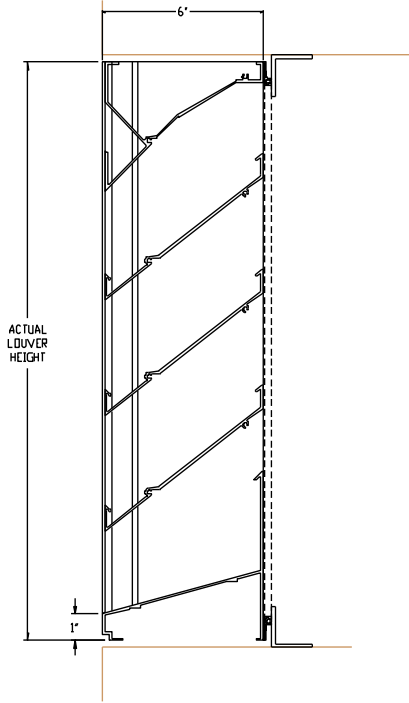
Rev: JANUARY 2004



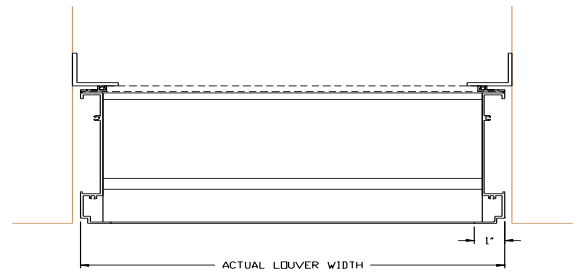
Industrial Louvers, Inc. certifies that Model 653XP shown hereon is licensed to bear the AMCA Seal. The ratings shown are based on tests and procedures performed in accordance with AMCA Publication 511 and comply with the requirements of the AMCA Certified Ratings Program. The AMCA Certified Ratings Seal applies to air performance ratings and water penetration ratings.



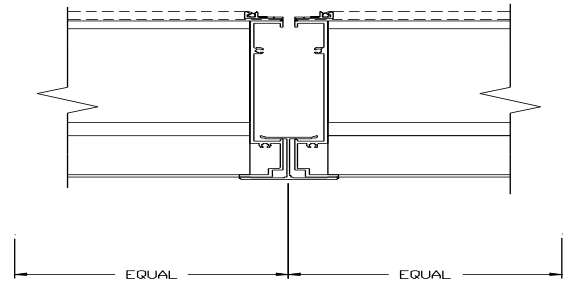
# MODEL 653XP



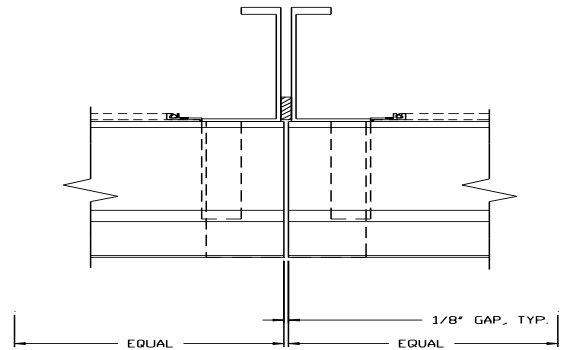
**VERTICAL SECTION**



**HORIZONTAL SECTION**



**VISIBLE MULLION DETAIL**



**INVISIBLE MULLION DETAIL**

**ACCESSORIES:**

- SILL FLASHING - DEPTH \_\_\_\_\_
- SCREEN \_\_\_\_\_
- FINISH \_\_\_\_\_  
COLOR \_\_\_\_\_
- OTHER \_\_\_\_\_

ITEM NO.	QTY	SIZE		M.O.	MULLION TYPE	NO. OF SECTIONS	REMARKS
		Actual	Width				
				<input type="checkbox"/>			
				<input type="checkbox"/>			
				<input type="checkbox"/>			

<b>PROJECT</b> _____	<b>REPRESENTATIVE</b> _____
<b>LOCATION</b> _____	<b>ILI JOB NO.</b> _____ <b>REP NO.</b> _____
<b>ARCH/ENGR.</b> _____	Industrial Louvers, Inc. Phone: 763-972-2981
<b>CONTRACTOR</b> _____	511 South 7th Street Fax: 763-972-2911
<b>DATE</b> _____	Delano, MN 55328
	CATALOG NO. 653XP Rev: JANUARY 2004