

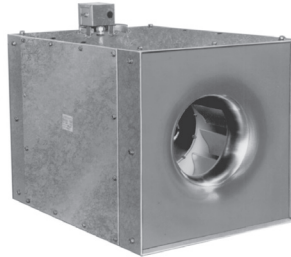
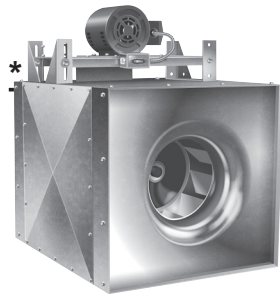


Est. 1938

Belt and Direct Drive In-Line Centrifugals Models XB and XD

Includes the following Model/Options			
XB	General Ventilation Belt Drive	XD	General Ventilation Direct Drive
XBA	General Ventilation Belt Drive Aluminum	XDA	General Ventilation Direct Drive Aluminum

Models XD and XB are square in-line centrifugal fans designed to eliminate costly round to square ductwork transitions with the flexibility of any angle operation. XD is direct driven and XB is belt driven. Model XD is available in five sizes with capacities up to 5445 CFM and up to 1 3/4" static pressure. Model XB is available in eight sizes with capacities up to 28,332 CFM and up to 2 1/2" static pressure. AMCA "B" spark resistant construction is standard on both models. The XD is suitable for airstream temperatures up to 140°F and the XB up to 200°F.



Construction Features

Housing

- Heavy duty galvanized steel construction
- Removable side panels on both sides for easy access and serviceability
- Fully gasketed and bolted access panels provide weather protection

Centrifugal Wheel

- Aluminum construction with backward curved hollow airfoil blades
- Non-overloading design for safe operation
- Precision balanced for smooth vibration free operation

Bearings

- Permanently lubricated in Acme D.S. pillow block housing
- Bearings are resiliently mounted in neoprene rings
- Rated at L50 life of 200,000 hours
- **5 year** limited warranty on Acme D.S. pillow block bearings
- Pillow block bearings are standard on XB425

Drive Assembly

- Located out of the airstream
- Cast iron drives sized for 150% of drive horsepower
- Static free, oil and heat resistant belts
- Continuous duty motors located outside the airstream
- Pre-lubricated ball bearings

Options/Accessories

- Solid State Speed Controllers
- Dampers
- Coatings
- Guards/Covers
- Isolators
- Filter box
- Side Discharge Flange
- Insulated Housing

Standard Construction Features	XB	XBA	XD	XDA
Galvanized Steel Construction	x		x	
Aluminum Construction		x		x
Bolt on Access Panels	x	x	x	x
Aluminum Backward Curved Hollow Airfoil Wheel	x	x	x	x
Integral Duct Collars on Inlet and Discharge	x	x	x	x
Bearings L50 life of 200,000 hours	x	x		
EC Motors (ECM technology)			x	x
Continuous Duty Motors	x	x	x	x
Motor out of airstream	x	x	x	x
NEMA 1 Disconnect or Plug*	x	x	x	x
AMCA B Spark Resistant Construction	x	x	x	x
UL705	x	x	x	x

*Fans with EXP motors receive an EXP disconnect not mounted or wired
Listed models are available in all sizes and performance ranges except XBA max size is 365
For submittals, detailed air and sound information, available options and accessories, please go to FANTastic!® Commercial www.acmefan.com.

In-Line Centrifugal Fans



Acme Engineering & Manufacturing Corporation certifies that the models shown herein are licensed to bear the AMCA seal. The ratings shown are based on tests and procedures performed in accordance with AMCA Publication 211 and AMCA Publication 311 and comply with the requirements of the AMCA Certified Ratings Program.



U.L. 705 Listed



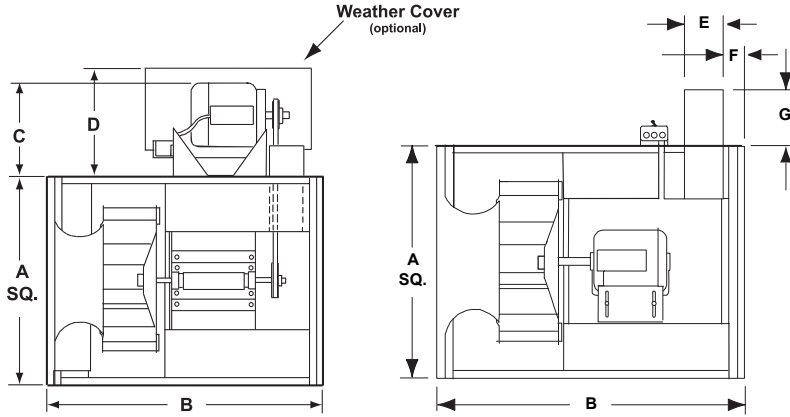
CSA Certified

Consult your Acme representative for availability.



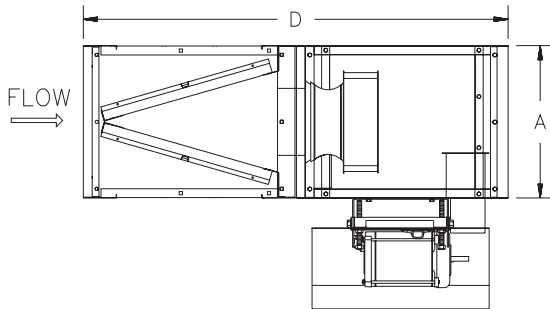
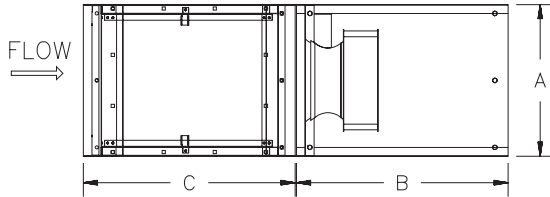
Est. 1938

Belt and Direct Drive In-Line Centrifugals Models XB and XD



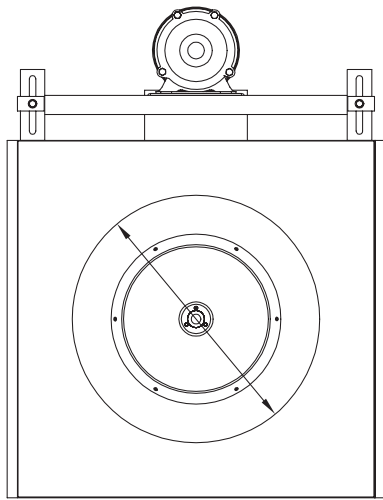
Fan Model	DIMENSIONS						
	A	B	C Max.	D Max.	E	F	G
XB090	14.00	18.56	12.12	14.06	NA	NA	NA
XB120	17.88	24.88	11.19	15.25	NA	NA	NA
XB137	20.50	28.13	11.19	15.25	NA	NA	NA
XB161	24.25	32.69	13.69	18.50	NA	NA	NA
XB200	30.00	39.75	13.69	18.50	NA	NA	NA
XB245	36.75	48.06	13.69	18.50	NA	NA	NA
XB300	45.00	58.31	16.38	20.00	NA	NA	NA
XB365	54.75	71.06	16.38	20.00	NA	NA	NA
XB425	63.88	72.75	13.88	17.68	NA	NA	NA
XD100	14.00	18.62	NA	NA	3.00	3.00	3.50
XD120	17.88	24.88	NA	NA	4.00	2.00	4.00
XD137	20.50	28.12	NA	NA	5.00	2.00	4.00
XD161	24.25	32.63	NA	NA	4.00	3.00	4.25
XD200	30.00	39.75	NA	NA	5.00	3.00	4.50

Dimensions are shown in inches.



FAN MODEL		FILTER BOX and FILTER DIMENSIONS (In.)						
XD	XB	A	B	C	D	FILTER SIZE	QTY	FILTER AREA FT ²
100	90	14.00	18.56	18.56	37.13	11.5 x 13.5	2	2.16
120	120	17.88	24.88	24.88	49.75	15.5 x 19.5	2	4.19
137	137	20.50	28.13	28.13	56.25	24 x 18.4	2	6.13
161	161	24.25	32.69	32.69	65.38	21.9 x 28.5	2	8.66
200	200	30.00	39.75	39.75	79.50	27.5 x 36	2	13.75
-	245	36.75	48.06	48.06	96.13	34.25 x 44.25	2	21.05
-	300	45.00	58.31	58.31	116.63	42 x 55	2	32.08
-	365	54.75	71.06	71.06	142.13	52 x 69.5	2	50.19
-	425					Not Available		

Filter box available in aluminum or galvanized steel. 1" and 2" aluminum and 2" paper filters available on all model sizes; 1" paper filters available on model sizes 100-200 only.



INLET SIDE

FAN MODEL		DIAMETER ORIFICE (In.)
XD	XB	
100	90	9.50
120	120	11.50
137	137	13.50
161	161	16.50
200	200	20.00
-	245	24.50
-	300	30.00
-	365	37.00
-	425	39.00

Typical drawings for dimensional purposes only, which are correct within limits suitable for normal installation requirements, and do not necessarily show actual construction.

In-Line Centrifugal Fans

XD100 & XD100EC

PERFORMANCE DATA																									
CFM and Sones vs. Static Pressure																									
Motor HP	RPM	0.000"		0.125"		0.250"		0.375"		0.500"		0.625"		0.750"		0.875"		1.000"		1.125"		1.250"		1.375"	
		BHP	Sones	BHP	Sones	BHP	Sones	BHP	Sones	BHP	Sones	BHP	Sones	BHP	Sones	BHP	Sones	BHP	Sones	BHP	Sones	BHP	Sones	BHP	Sones
1/10	300	129																							
		0.01	0.1																						
	600	262																							
		0.01	1.1																						
	860	377		219																					
		0.01	3.7	0.01	3.7																				
	1050	460		348		151																			
		0.02	5.2	0.02	5.8	0.02	5																		
	1300	570		484		374		204																	
		0.04	8.5	0.04	7.7	0.04	7.3	0.04	7.3																
	1425	625		547		455		326		106															
		0.05	10.3	0.05	8.8	0.06	8.0	0.05	7.5	0.04	6.3														
1550	680		607		531		426		289																
	0.06	12.6	0.07	11.4	0.07	10.3	0.07	9.7	0.06	9.2															
1650	724		654		587		497		224																
	0.08	13.8	0.08	13.5	0.08	12.2	0.09	11.4	0.08	11.0	0.07	10.5													
1800	790		726		665		591		500		386		235												
	0.1	15.5	0.1	16.7	0.11	14.7	0.11	13.7	0.11	13.2	0.11	13.1	0.09	12.6											

Fan Model	HP	RPM Range	Est. Unit Wt. lbs.	Est. Ship Wt. lbs.
XD100*	1/10	860 - 1550	40	45
XD100EC E4*	1/4	300 - 1800	40	45

XD120 & XD120EC

In-Line Centrifugal Fans

PERFORMANCE DATA																									
CFM and Sones vs. Static Pressure																									
Motor HP	RPM	0.000"		0.125"		0.250"		0.375"		0.500"		0.625"		0.750"		0.875"		1.000"		1.125"		1.250"		1.375"	
		BHP	Sones	BHP	Sones	BHP	Sones	BHP	Sones	BHP	Sones	BHP	Sones	BHP	Sones	BHP	Sones	BHP	Sones	BHP	Sones	BHP	Sones	BHP	Sones
1/20	300	278																							
		0.01	0.1																						
	525	489																							
		0.01	1.3																						
	600	559		234																					
		0.01	2.4	0.01	1.7																				
	875	816		722		427																			
		0.03	5.3	0.04	5.1	0.04	5.2																		
	1050	980		902		799		444																	
		0.06	7.8	0.06	7.2	0.07	7.1	0.06	7.0																
	1425	1330		1272		1216		1152		820		429													
		0.14	11.8	0.15	11.7	0.16	11	0.17	11.2	0.17	10.4	0.16	10.0	0.12	10.0										
1750	1634		1586		1539		1494		1444		1380		1282		1144		854		540		178				
	0.26	17.3	0.27	17.0	0.28	17	0.3	16.2	0.31	16.7	0.32	16.2	0.32	15.4	0.32	15.5	0.28	14.3	0.23	15.3	0.14	13.9			
1800	1680		1634		1588		1540		1484		1426		1357		1242		1033		701		410				
	0.28	25	0.3	32	0.31	28	0.32	23	0.33	24	0.34	24	0.35	23	0.35	24	0.33	24	0.28	22	0.21	20.0			

Fan Model	HP	RPM Range	Est. Unit Wt. lbs.	Est. Ship Wt. lbs.
XD120 7*	1/20	525 - 1050	85	97
XD120F4*	1/3	875 - 1750	100	106
XD120F4**	1/3	1750 - 1750	117	125
XD120EC G4*	1/2	300 - 1800	102	110

* Motor can be controlled by speed controller
 ** Motor fixed rpm performance (Explosion proof motors and Non VFD compatible motors)
 Power rating (BHP) does not include transmission losses. Performance certified is for installation type A: Free inlet, free outlet. Performance ratings do not include the effects of appurtenances (accessories). The sound ratings shown are loudness values in hemispherical sones at 1.5 m (5ft) in a hemispherical free field calculated per AMCA Standard 301. Values are shown for Installation Type A: Free Inlet hemispherical fan sone levels.
 The brake horsepower capability of an exhaustor motor is dependent on the degree of cooling the motor receives from the air moving through the motor. The motor loading beyond the motor nameplate rating does not overheat the motor and is in accordance with the motor manufacturer's recommendations. It is, therefore, not detrimental to the motor and economically desirable.

XD137 & XD137EC

PERFORMANCE DATA																													
CFM and Sones vs. Static Pressure																													
Motor HP	RPM	0.000"		0.125"		0.250"		0.375"		0.500"		0.625"		0.750"		0.875"		1.000"		1.250"		1.375"		1.500"		1.750"			
		BHP	Sones	BHP	Sones	BHP	Sones	BHP	Sones	BHP	Sones	BHP	Sones	BHP	Sones	BHP	Sones	BHP	Sones	BHP	Sones	BHP	Sones	BHP	Sones	BHP	Sones	BHP	Sones
1/6	300	352																											
		0.01	0.1																										
	430	508																											
		0.01	0.1																										
	580	688		398																									
		0.01	1.0	0.02	2.0																								
860	1021		822		613		257																						
	0.04	3.5	0.06	6.2	0.06	5.8	0.04	5.4																					
1160	1379		1230		1081		929		796		616																		
	0.09	8.6	0.12	9.8	0.15	9.8	0.14	10.0	0.15	10.4	0.15	11.0																	
1200	1426		1282		1139		990		846		743		252																
	0.1	8.3	0.13	8.2	0.16	7.9	0.16	7.4	0.16	7.3	0.18	7.5	0.11	17.1															
1475	1754		1636		1219		1403		1286		1147		1042		969		825												
	0.19	12.3	0.22	12.4	0.28	11.8	0.3	11.6	0.3	11	0.3	10.8	0.3	10.7	0.32	10.6	0.32	11.3											
1750	2081		1982		1882		1784		1687		1586		1485		1384		1272		1141		1025		697						
	0.32	17.2	0.36	17	0.4	16.7	0.46	16.1	0.49	16.1	0.5	15.5	0.5	15.1	0.5	15.1	0.5	14.9	0.54	14.6	0.53	15.4	0.43	16.5					
1800	2141		2044		1947		1852		1757		1660		1565		1453		1343		1211		1144		985		205				
	0.35	18.0	0.38	18.1	0.43	17.7	0.5	17.1	0.54	17	0.55	16.6	0.55	16.1	0.54	15.9	0.54	15.7	0.58	15.4	0.59	15.6	0.57	16.6	0.30	13.0			

Fan Model	HP	RPM Range	Est. Unit Wt. lbs.	Est. Ship Wt. lbs.
XD137B8*	1/6	430 - 860	124	140
XD137E6**	1/4	1160 - 1160	130	146
XD137E6*	1/3	580 - 1160	125	140
XD137H4**	3/4	1750 - 1750	130	146
XD137EC G6*	1/2	300 - 1200	114	138
XD137EC H4*	3/4	300 - 1800	116	140
XD137EC J4*	1	300 - 1800	118	142

In-Line Centrifugal Fans

XD161 & XD161EC

PERFORMANCE DATA																															
CFM and Sones vs. Static Pressure																															
Motor HP	RPM	0.000"		0.125"		0.250"		0.375"		0.500"		0.625"		0.750"		0.875"		1.000"		1.250"		1.500"		1.750"		2.000"		2.250"		2.500"	
		BHP	Sones	BHP	Sones	BHP	Sones	BHP	Sones	BHP	Sones	BHP	Sones	BHP	Sones	BHP	Sones	BHP	Sones	BHP	Sones	BHP	Sones	BHP	Sones	BHP	Sones	BHP	Sones	BHP	Sones
1/6	300	708																													
		0.01	0.3																												
	430	1017		389																											
		0.02	1.8	0.02	1.0																										
	860	2037		1921		1757		1556		779																					
		0.15	9.2	0.16	8.7	0.18	8.1	0.18	7.7	0.14	8.2																				
1160	2748		2662		2575		2458		2321		2178		1952		1277		568														
	0.36	14.5	0.38	13.7	0.4	13.2	0.42	13.5	0.44	13.3	0.45	13.0	0.45	12.8	0.37	13.4	0.25	12.6													
1200	2843		2760		2676		2570		2438		2304		2138		1664		936														
	0.40	13.4	0.42	12.9	0.44	12.2	0.46	11.5	0.48	11.3	0.49	10.8	0.5	10.4	0.46	10.2	0.35	9.4													
1387	3286		3214		3142		3069		2970		2858		2743		2625		2474		1533		398										
	0.61	17.5	0.64	17.4	0.67	16.4	0.69	15.7	0.71	15.0	0.73	14.8	0.75	14.3	0.76	14.0	0.77	13.6	0.64	13.0	0.35	10.0									
1750	4146		4089		4032		3974		3917		3856		3777		3693		3602		3419		3217		2813		1889		939		148		
	1.23	27	1.27	26	1.3	26	1.34	25	1.36	24	1.39	23	1.42	23	1.44	22	1.47	22	1.51	22	1.54	21	1.52	19.7	1.26	19.7	0.9	17.4	0.53	11.2	

Fan Model	HP	RPM Range	Est. Unit Wt. lbs.	Est. Ship Wt. lbs.
XD161D8*	1/6	430 - 860	134	176
XD161G6*	1/2	580 - 1160	150	196
XD161 K4**	1-1/2	1750 - 1750	171	224
XD161EC G6*	1/2	300 - 1200	102	110
XD161EC J4*	1	300 - 1387	102	110

* Motor can be controlled by speed controller

** Motor fixed rpm performance (Explosion proof motors and Non VFD compatible motors)

Power rating (BHP) does not include transmission losses. Performance certified is for installation type A: Free inlet, free outlet. Performance ratings do not include the effects of appurtenances (accessories). The sound ratings shown are loudness values in hemispherical sones at 1.5 m (5ft) in a hemispherical free field calculated per AMCA Standard 301. Values are shown for Installation Type A: Free Inlet hemispherical fan sone levels.

The brake horsepower capability of an exhaustor motor is dependent on the degree of cooling the motor receives from the air moving through the motor. The motor loading beyond the motor nameplate rating does not overheat the motor and is in accordance with the motor manufacturer's recommendations. It is, therefore, not detrimental to the motor and economically desirable.

XD200

PERFORMANCE DATA																								
CFM and Sones vs. Static Pressure																								
RPM	0.000"		0.125"		0.250"		0.375"		0.500"		0.625"		0.750"		0.875"		1.000"		1.250"		1.500"		1.625"	
	BHP	Sones	BHP	Sones	BHP	Sones	BHP	Sones	BHP	Sones	BHP	Sones	BHP	Sones	BHP	Sones	BHP	Sones	BHP	Sones	BHP	Sones	BHP	Sones
860	4034		3813		3587		3349		3111		2792		1777		517									
	0.46	15.5	0.48	15.6	0.5	15	0.51	14.9	0.52	14.9	0.53	16.8	0.43	16.5	0.24	13.1								
1160	5442		5278		5113		4947		4775		4599		4421		4244		4050		3178		1357		435	
	1.12	17.5	1.15	17.6	1.17	16.8	1.2	16.7	1.22	16.7	1.24	16.3	1.26	15.6	1.28	15.7	1.3	15.6	1.21	15.6	0.79	19.1	0.51	12.8

Fan Model	HP	RPM Range	Est. Unit Wt. lbs.	Est. Ship Wt. lbs.
XD200G8**	1/2	860 - 860	240	290
XD200K6**	1-1/2	1160 - 1160	253	303

In-Line Centrifugal Fans

* Motor can be controlled by speed controller

** Motor fixed rpm performance (Explosion proof motors and Non VFD compatible motors)

Power rating (BHP) does not include transmission losses. Performance certified is for installation type A: Free inlet, free outlet. Performance ratings do not include the effects of appurtenances (accessories). The sound ratings shown are loudness values in hemispherical sones at 1.5 m (5ft) in a hemispherical free field calculated per AMCA Standard 301. Values are shown for Installation Type A: Free Inlet hemispherical fan sone levels.

The brake horsepower capability of an exhauster motor is dependent on the degree of cooling the motor receives from the air moving through the motor. The motor loading beyond the motor nameplate rating does not overheat the motor and is in accordance with the motor manufacturer's recommendations. It is, therefore, not detrimental to the motor and economically desirable.

XB090

PERFORMANCE DATA

CFM and Sones vs. Static Pressure

RPM	0.125"		0.250"		0.375"		0.500"		0.625"		0.750"		1.000"		1.250"		1.500"		1.750"		2.000"		2.250"		
	BHP	Sones	BHP	Sones	BHP	Sones	BHP	Sones	BHP	Sones	BHP	Sones	BHP	Sones	BHP	Sones	BHP	Sones	BHP	Sones	BHP	Sones	BHP	Sones	
1583	592		502		396		267		104																
	0.08	5.8	0.08	5.5	0.08	5.6	0.08	5.3	0.06	4.7															
1847	718		642		563		471		365		242														
	0.13	7.6	0.13	7.9	0.13	7.5	0.13	7.6	0.12	7.4	0.11	7.1													
1920	752		680		604		520		422		311														
	0.14	8.1	0.15	8.4	0.15	8.1	0.15	8.1	0.14	8.3	0.13	7.8													
2068	820		754		686		612		529		435		211												
	0.18	9.3	0.18	9.8	0.19	9.7	0.19	9.5	0.18	9.5	0.18	9.5	0.15	9.2											
2333	941		883		823		762		697		625		459		258										
	0.26	11.8	0.26	12.3	0.26	12.7	0.27	12.2	0.27	12.1	0.26	12.1	0.25	11.9	0.22	12.1									
2356	951		894		835		774		710		640		477		282										
	0.26	12.0	0.27	12.5	0.27	12.9	0.27	12.5	0.27	12.3	0.27	12.3	0.26	12.2	0.22	12.5									
2584	1054		1002		949		894		838		780		647		494		313								
	0.35	14.1	0.35	14.6	0.36	15.0	0.36	15.1	0.36	14.7	0.36	14.5	0.36	14.6	0.34	14.1	0.30	15.5							
2968	1225		1180		1135		1088		1040		993		891		777		649		506		344		152		
	0.53	17.9	0.53	18.2	0.54	18.7	0.54	19.0	0.54	19.4	0.55	19.0	0.55	18.4	0.54	18.8	0.52	19.5	0.49	18.7	0.45	23	0.39	18.7	

Fan Model	HP	RPM Range	Est. Unit Wt. lbs.	Est. Ship Wt. lbs.
XB090E1	1/4 Hp	1583 - 2068	40	48
XB090E2	1/4 Hp	1847 - 2356	40	49
XB090	1/3 Hp	1920 - 2584	40	56
XB090	1/2 Hp	2333 - 2968	50	64

In-Line Centrifugal Fans

Power rating (BHP) does not include transmission losses. Performance certified is for installation type A: Free inlet, free outlet. Performance ratings do not include the effects of appurtenances (accessories). The sound ratings shown are loudness values in hemispherical sones at 1.5 m (5ft) in a hemispherical free field calculated per AMCA Standard 301. Values are shown for Installation Type A: Free Inlet hemispherical fan sone levels.

The brake horsepower capability of an exhaustor motor is dependent on the degree of cooling the motor receives from the air moving through the motor. The motor loading beyond the motor nameplate rating does not overheat the motor and is in accordance with the motor manufacturer's recommendations. It is, therefore, not detrimental to the motor and economically desirable.

XB120

PERFORMANCE DATA

CFM and Sones vs. Static Pressure

RPM	0.125"		0.250"		0.375"		0.500"		0.625"		0.750"		1.000"		1.250"		1.500"		1.750"		2.000"		2.250"	
	BHP	Sones	BHP	Sones	BHP	Sones	BHP	Sones	BHP	Sones	BHP	Sones	BHP	Sones	BHP	Sones	BHP	Sones	BHP	Sones	BHP	Sones	BHP	Sones
909	756		540																					
	0.04	7.3	0.04	7.7																				
1070	921		826		517																			
	0.07	9.3	0.07	9.0	0.06	8.7																		
1141	992		908		728		276																	
	0.08	7.6	0.09	7.2	0.09	7.0	0.06	7.3																
1375	1223		1163		1087		967		644		266													
	0.14	11.9	0.14	11.4	0.15	11.4	0.16	11.0	0.13	10.8	0.09	12.0												
1400	1248		1189		1115		1011		734		346													
	0.14	12.1	0.15	12.1	0.16	11.5	0.16	11.4	0.15	11.0	0.10	11.9												
1570	1413		1360		1304		1235		1137		924		224											
	0.20	15.0	0.21	14.7	0.22	15.1	0.23	15.0	0.23	14.0	0.22	13.4	0.11	14.5										
1590	1432		1380		1326		1258		1168		974		315											
	0.20	15.5	0.22	15.2	0.23	15.3	0.24	15.1	0.24	14.6	0.23	14.0	0.14	14.5										
1725	1562		1514		1466		1409		1346		1254		763		89									
	0.26	16.5	0.27	16.5	0.28	16.1	0.30	16.1	0.30	16.0	0.31	15.6	0.26	14.3	0.11	8.9								
1934	1763		1720		1677		1634		1581		1525		1346		873		330							
	0.36	19.6	0.38	19.0	0.39	18.5	0.40	18.4	0.42	18.0	0.43	17.9	0.44	16.9	0.36	17.1	0.23	18.4						
2060	1883		1843		1802		1762		1719		1667		1547		1275		743		211					
	0.44	22	0.45	21	0.47	20	0.48	20	0.50	19.9	0.51	19.7	0.52	19.0	0.50	18.4	0.40	19.9	0.23	21				
2335	2145		2109		2073		2038		2002		1967		1876		1771		1578		1201		717		235	
	0.63	26	0.65	26	0.66	26	0.68	25	0.70	26	0.72	24	0.74	24	0.76	24	0.76	25	0.68	27	0.54	28	0.33	30
2570	2367		2335		2302		2270		2238		2206		2136		2052		1956		1804		1526		1081	
	0.84	31	0.85	29	0.87	30	0.89	31	0.91	30	0.93	31	0.97	33	1.00	36	1.01	37	1.02	36	0.96	34	0.83	33

Fan Model	HP	RPM Range	Est. Unit Wt. lbs.	Est. Ship Wt. lbs.
XB120E1	1/4 Hp	909 - 1375	90	105
XB120E2	1/4 Hp	1070 - 1570	90	106
XB120	1/3 Hp	1141 - 1725	95	110
XB120	1/2 Hp	1400 - 2060	100	116
XB120	3/4 Hp	1590 - 2335	110	124
XB120	1 Hp	1934 - 2570	115	130

Power rating (BHP) does not include transmission losses. Performance certified is for installation type A: Free inlet, free outlet. Performance ratings do not include the effects of appurtenances (accessories). The sound ratings shown are loudness values in hemispherical sones at 1.5 m (5ft) in a hemispherical free field calculated per AMCA Standard 301. Values are shown for Installation Type A: Free Inlet hemispherical fan sone levels. The brake horsepower capability of an exhauster motor is dependent on the degree of cooling the motor receives from the air moving through the motor. The motor loading beyond the motor nameplate rating does not overheat the motor and is in accordance with the motor manufacturer's recommendations. It is, therefore, not detrimental to the motor and economically desirable.

XB137

PERFORMANCE DATA

CFM and Sones vs. Static Pressure

RPM	0.125"		0.250"		0.375"		0.500"		0.625"		0.750"		1.000"		1.250"		1.500"		1.750"		2.000"		2.250"	
	BHP	Sones	BHP	Sones	BHP	Sones	BHP	Sones	BHP	Sones	BHP	Sones	BHP	Sones	BHP	Sones	BHP	Sones	BHP	Sones	BHP	Sones	BHP	Sones
930	1202		995		799		76																	
	0.09	8.0	0.10	7.6	0.10	7.8	0.04	4.7																
1060	1427		1240		1079		855		212															
	0.13	10.6	0.14	10.8	0.14	10.6	0.14	9.6	0.07	9.5														
1325	1855		1717		1568		1426		1320		1167		169											
	0.25	12.1	0.26	12.9	0.27	12.6	0.28	12.4	0.28	12.6	0.28	12.3	0.12	8.6										
1365	1918		1787		1641		1502		1387		1281		417											
	0.27	13.0	0.28	13.7	0.29	13.3	0.30	12.8	0.30	13.1	0.31	13.0	0.18	14.1										
1400	1973		1848		1705		1569		1445		1351		628											
	0.29	13.7	0.31	14.5	0.32	14.1	0.32	13.7	0.33	14.0	0.33	13.8	0.24	15.0										
1605	2293		2191		2072		1948		1829		1712		1538		931		94							
	0.44	15.0	0.45	14.7	0.47	14.2	0.48	13.9	0.48	13.6	0.49	13.5	0.50	13.4	0.40	14.6	0.19	8.0						
1675	2402		2305		2195		2073		1959		1846		1668		1346		531							
	0.50	15.8	0.51	15.6	0.53	15.1	0.54	15.0	0.54	14.7	0.55	14.8	0.57	14.4	0.55	14.7	0.34	18.9						
1830	2641		2553		2461		2351		2242		2137		1931		1786		1448		700					
	0.64	21	0.66	19.3	0.68	19.5	0.69	19.0	0.70	16.6	0.71	19.9	0.73	21	0.74	20	0.71	20	0.48	19.9				
1955	2833		2751		2666		2570		2466		2366		2172		2002		1863		1437		740		47	
	0.78	22	0.80	20	0.82	20	0.84	20	0.85	19.8	0.86	21	0.88	19.1	0.90	19.0	0.91	19.0	0.83	18.4	0.59	19.7	0.32	9.4
2060	2994		2916		2836		2752		2653		2555		2369		2187		2057		1890		1356		702	
	0.92	25	0.94	24	0.95	25	0.97	23	0.98	22	1.00	22	1.02	22	1.04	21	1.06	21	1.07	21	0.91	21	0.65	24
2310	3375		3306		3236		3164		3089		3001		2827		2662		2498		2364		2250		2074	
	1.28	28	1.31	27	1.33	27	1.35	27	1.37	25	1.38	24	1.41	24	1.44	24	1.46	24	1.48	23	1.50	23	1.50	23
2490	3649		3584		3520		3454		3386		3314		3150		2993		2840		2689		2561		2461	
	1.61	30	1.63	30	1.65	31	1.68	31	1.70	30	1.72	29	1.75	28	1.78	29	1.80	29	1.82	28	1.85	29	1.87	29

Fan Model	HP	RPM Range	Est. Unit Wt. lbs.	Est. Ship Wt. lbs.
XB137	1/3 Hp	930 - 1365	120	136
XB137	1/2 Hp	1060 - 1605	122	142
XB137	3/4 Hp	1325 - 1830	122	146
XB137	1 Hp	1400 - 2060	130	153
XB137	1-1/2 Hp	1675 - 2310	140	164
XB137	2 Hp	1955 - 2490	160	173

In-Line Centrifugal Fans

Power rating (BHP) does not include transmission losses. Performance certified is for installation type A: Free inlet, free outlet. Performance ratings do not include the effects of appurtenances (accessories). The sound ratings shown are loudness values in hemispherical sones at 1.5 m (5ft) in a hemispherical free field calculated per AMCA Standard 301. Values are shown for Installation Type A: Free Inlet hemispherical fan sone levels. The brake horsepower capability of an exhaustor motor is dependent on the degree of cooling the motor receives from the air moving through the motor. The motor loading beyond the motor nameplate rating does not overheat the motor and is in accordance with the motor manufacturer's recommendations. It is, therefore, not detrimental to the motor and economically desirable.

XB161

PERFORMANCE DATA

CFM and Sones vs. Static Pressure

RPM	0.125"		0.250"		0.375"		0.500"		0.625"		0.750"		1.000"		1.250"		1.500"		1.750"		2.000"		2.250"	
	BHP	Sones	BHP	Sones	BHP	Sones	BHP	Sones	BHP	Sones	BHP	Sones	BHP	Sones	BHP	Sones	BHP	Sones	BHP	Sones	BHP	Sones	BHP	Sones
695	1496		1238		212																			
	0.09	6.3	0.10	6.2	0.04	5.4																		
823	1828		1655		1395		425																	
	0.14	7.2	0.16	6.8	0.16	6.9	0.09	7.1																
930	2096		1973		1779		1487		561															
	0.20	8.8	0.22	8.9	0.23	8.7	0.23	8.4	0.14	7.4														
1055	2405		2305		2174		1994		1764		972													
	0.29	11.2	0.31	10.9	0.32	10.8	0.34	10.6	0.34	10.4	0.26	11.3												
1070	2441		2344		2217		2042		1837		1138													
	0.30	11.2	0.32	11.0	0.33	10.9	0.35	11.2	0.36	10.5	0.29	11.4												
1210	2784		2701		2608		2486		2327		2168		1038											
	0.43	15.1	0.45	14.9	0.47	14.4	0.49	14.2	0.50	14.1	0.51	14.1	0.37	15.2										
1330	3076		3000		2922		2832		2708		2564		2209		928									
	0.57	16.8	0.59	16.8	0.61	16.4	0.63	16.8	0.65	16.6	0.67	16.0	0.68	16.1	0.45	16.9								
1365	3161		3087		3013		2926		2815		2674		2378		1285		200							
	0.61	17.3	0.64	17.5	0.66	17.4	0.68	17.4	0.70	17.4	0.72	16.5	0.74	17.0	0.56	17.5	0.28	10.9						
1405	3258		3186		3115		3032		2931		2801		2534		1716		558							
	0.67	18.1	0.69	18.1	0.71	18.2	0.73	18.1	0.75	18.6	0.77	17.6	0.80	17.3	0.70	17.4	0.41	17.8						
1570	3656		3592		3528		3463		3387		3300		3069		2830		2168		1064		176			
	0.92	20	0.95	20	0.98	20	1.00	19.5	1.02	19.1	1.04	19.2	1.09	18.7	1.12	18.5	1.03	18.4	0.74	19.1	0.40	11.9		
1735	4053		3995		3937		3880		3819		3751		3585		3367		3156		2746		1719		808	
	1.24	27	1.27	26	1.30	25	1.33	25	1.35	24	1.38	24	1.43	22	1.48	21	1.51	19.8	1.48	19.9	1.18	24	0.82	30
1770	4137		4080		4024		3967		3910		3843		3687		3477		3270		2974		2102		1111	
	1.31	30	1.35	30	1.38	29	1.41	29	1.43	26	1.46	26	1.51	24	1.56	23	1.60	22	1.60	22	1.37	23	1.01	25
1865	4365		4311		4258		4204		4150		4091		3959		3780		3575		3377		3011		2100	
	1.53	31	1.57	29	1.60	30	1.63	28	1.66	28	1.69	28	1.74	27	1.79	26	1.84	24	1.88	26	1.85	26	1.56	30
2210	5191		5146		5100		5055		5009		4964		4871		4763		4637		4482		4307		4141	
	2.52	41	2.57	41	2.62	39	2.66	41	2.69	39	2.73	39	2.80	37	2.85	37	2.92	36	2.98	35	3.04	34	3.09	32

In-Line Centrifugal Fans

Fan Model	HP	RPM Range	Est. Unit Wt. lbs.	Est. Ship Wt. lbs.
XB161	1/3 Hp	695 - 1055	160	182
XB161	1/2 Hp	823 - 1210	160	188
XB161	3/4 Hp	930 - 1365	170	193
XB161	1 Hp	1070 - 1570	170	199
XB161	1-1/2 Hp	1330 - 1770	190	208
XB161	2 Hp	1405 - 1865	190	210
XB161	3 Hp	1735 - 2210	200	227

Power rating (BHP) does not include transmission losses. Performance certified is for installation type A: Free inlet, free outlet. Performance ratings do not include the effects of appurtenances (accessories). The sound ratings shown are loudness values in hemispherical sones at 1.5 m (5ft) in a hemispherical free field calculated per AMCA Standard 301. Values are shown for Installation Type A: Free Inlet hemispherical fan sone levels. The brake horsepower capability of an exhaustor motor is dependent on the degree of cooling the motor receives from the air moving through the motor. The motor loading beyond the motor nameplate rating does not overheat the motor and is in accordance with the motor manufacturer's recommendations. It is, therefore, not detrimental to the motor and economically desirable.

XB200

PERFORMANCE DATA

CFM and Sones vs. Static Pressure

RPM	0.125"		0.250"		0.375"		0.500"		0.625"		0.750"		1.000"		1.250"		1.500"		1.750"		2.000"		2.250"	
	BHP	Sones	BHP	Sones	BHP	Sones	BHP	Sones	BHP	Sones	BHP	Sones	BHP	Sones	BHP	Sones	BHP	Sones	BHP	Sones	BHP	Sones	BHP	Sones
614	2567		2223		1378																			
	0.18	6.4	0.19	6.2	0.16	5.5																		
670	2857		2554		2193		789																	
	0.23	8.0	0.24	8.3	0.25	7.3	0.15	6.4																
730	3163		2889		2589		1956		499															
	0.30	9.2	0.31	8.8	0.32	8.8	0.30	8.2	0.16	7.3														
860	3813		3587		3349		3093		2780		1777													
	0.48	13.1	0.50	12.1	0.51	12.2	0.53	12.5	0.52	11.8	0.43	10.9												
921	4114		3905		3685		3461		3212		2806		582											
	0.58	12.9	0.60	12.5	0.62	12.2	0.64	12.1	0.65	11.6	0.63	12.1	0.30	9.1										
985	4428		4232		4031		3822		3601		3367		1884											
	0.71	14.9	0.73	14.6	0.75	14.0	0.77	14.5	0.79	13.7	0.80	13.6	0.62	14.0										
1020	4599		4410		4217		4017		3812		3586		2562		358									
	0.78	15.9	0.81	15.6	0.83	15.0	0.85	15.4	0.87	14.8	0.88	14.5	0.79	14.9	0.35	9.6								
1055	4769		4587		4402		4209		4013		3798		3130		1160									
	0.87	16.9	0.89	16.7	0.91	16.2	0.93	16.1	0.95	16.0	0.97	15.6	0.94	15.0	0.58	16.3								
1195	5448		5287		5126		4961		4791		4618		4246		3699		2070							
	1.25	20	1.28	19.4	1.31	18.8	1.33	18.7	1.35	18.2	1.37	18.4	1.41	18.1	1.38	17.2	1.05	20						
1250	5713		5559		5405		5250		5089		4924		4580		4197		3150		1407					
	1.43	22	1.46	21	1.49	20	1.51	19.8	1.54	19.5	1.56	19.1	1.60	19.3	1.62	18.7	1.46	19.0	0.97	20				
1410	6481		6345		6208		6072		5934		5792		5500		5196		4873		4327		3019		1449	
	2.05	26	2.08	25	2.11	25	2.14	24	2.17	24	2.20	24	2.25	23	2.30	22	2.33	22	2.27	22	1.93	24	1.33	30
1525	7031		6905		6779		6653		6526		6398		6133		5862		5573		5276		4832		3760	
	2.58	32	2.62	30	2.65	30	2.68	30	2.72	28	2.75	28	2.81	27	2.86	26	2.92	25	2.95	24	2.90	22	2.62	24
1885	8744		8643		8541		8439		8337		8235		8030		7820		7605		7386		7167		6930	
	4.86	45	4.90	43	4.94	43	4.98	43	5.02	42	5.06	41	5.15	40	5.22	39	5.29	38	5.36	37	5.43	36	5.50	34

Fan Model	HP	RPM Range	Est. Unit Wt. lbs.	Est. Ship Wt. lbs.
XB200	1/2 Hp	614 - 921	240	280
XB200	3/4 Hp	670 - 985	240	288
XB200	1 Hp	730 - 1055	245	294
XB200	1-1/2 Hp	860 - 1250	255	304
XB200	2 Hp	1020 - 1410	255	299
XB200	3 Hp	1195 - 1525	275	325
XB200	5 Hp	1525 - 1885	280	339

In-Line Centrifugal Fans

Power rating (BHP) does not include transmission losses. Performance certified is for installation type A: Free inlet, free outlet. Performance ratings do not include the effects of appurtenances (accessories). The sound ratings shown are loudness values in hemispherical sones at 1.5 m (5ft) in a hemispherical free field calculated per AMCA Standard 301. Values are shown for Installation Type A: Free Inlet hemispherical fan sone levels. The brake horsepower capability of an exhaustor motor is dependent on the degree of cooling the motor receives from the air moving through the motor. The motor loading beyond the motor nameplate rating does not overheat the motor and is in accordance with the motor manufacturer's recommendations. It is, therefore, not detrimental to the motor and economically desirable.

XB245

PERFORMANCE DATA

CFM and Sones vs. Static Pressure

RPM	0.125"		0.250"		0.375"		0.500"		0.625"		0.750"		1.000"		1.250"		1.500"		1.750"		2.000"		2.250"		
	BHP	Sones	BHP	Sones	BHP	Sones	BHP	Sones	BHP	Sones	BHP	Sones	BHP	Sones	BHP	Sones	BHP	Sones	BHP	Sones	BHP	Sones	BHP	Sones	
440	3595		2932																						
	0.20	6.2	0.22	6.2																					
500	4193		3790		2108																				
	0.29	8.4	0.31	8.1	0.26	7.8																			
590	5069		4747		4367		2941		327																
	0.46	10.8	0.49	10.6	0.52	11.2	0.46	12.3	0.19	7.1															
645	5597		5315		4994		4548		2702		272														
	0.59	11.4	0.63	10.8	0.66	10.7	0.68	10.8	0.55	11.0	0.24	6.1													
665	5788		5514		5206		4838		3507		1215														
	0.64	12.2	0.68	11.2	0.72	10.9	0.75	10.5	0.67	10.8	0.40	11.2													
735	6452		6204		5944		5663		5286		4109														
	0.86	15.4	0.90	15.3	0.95	13.9	0.98	14.5	1.01	15.1	0.93	14.1													
855	7580		7367		7154		6929		6684		6430		5006		1409										
	1.33	17.8	1.38	18.2	1.44	16.9	1.49	16.7	1.54	16.4	1.57	15.7	1.50	14.7	0.81	17.6									
860	7627		7415		7204		6981		6737		6491		5211		1635										
	1.35	18.2	1.41	18.2	1.46	16.9	1.52	17.1	1.56	16.4	1.60	15.9	1.55	15.4	0.88	19.2									
965	8607		8419		8230		8041		7842		7621		7151		5975		2804								
	1.90	21	1.96	21	2.02	21	2.08	20	2.14	20	2.20	20	2.27	19.7	2.21	18.9	1.54	20							
1030	9211		9035		8858		8681		8504		8307		7907		7339		5424		2493						
	2.30	27	2.36	26	2.43	26	2.49	25	2.56	25	2.62	25	2.72	26	2.78	25	2.50	23	1.71	21					
1100	9860		9695		9530		9364		9199		9033		8650		8254		7598		5348		2615				
	2.79	30	2.86	29	2.93	29	3.00	29	3.07	28	3.14	28	3.26	29	3.34	28	3.39	27	2.94	25	2.06	25			
1295	11662		11522		11382		11242		11101		10960		10679		10360		10042		9686		9169		8030		
	4.51	36	4.60	36	4.68	36	4.76	36	4.84	35	4.93	35	5.09	34	5.24	33	5.37	31	5.46	29	5.53	28	5.34	26	

In-Line Centrifugal Fans

Fan Model	HP	RPM Range	Est. Unit Wt. lbs.	Est. Ship Wt. lbs.
XB245	3/4 Hp	440 - 645	360	402
XB245	1 Hp	500 - 735	360	407
XB245	1-1/2 Hp	590 - 855	370	416
XB245	2 Hp	665 - 965	370	418
XB245	3 Hp	860 - 1100	400	440
XB245	5 Hp	1030 - 1295	400	448

Power rating (BHP) does not include transmission losses. Performance certified is for installation type A: Free inlet, free outlet. Performance ratings do not include the effects of appurtenances (accessories). The sound ratings shown are loudness values in hemispherical sones at 1.5 m (5ft) in a hemispherical free field calculated per AMCA Standard 301. Values are shown for Installation Type A: Free Inlet hemispherical fan sone levels. The brake horsepower capability of an exhaustor motor is dependent on the degree of cooling the motor receives from the air moving through the motor. The motor loading beyond the motor name-plate rating does not overheat the motor and is in accordance with the motor manufacturer's recommendations. It is, therefore, not detrimental to the motor and economically desirable.

XB300

PERFORMANCE DATA

CFM and Sones vs. Static Pressure

RPM	0.125"		0.250"		0.375"		0.500"		0.625"		0.750"		1.000"		1.250"		1.500"		1.750"		2.000"		2.250"	
	BHP	Sones	BHP	Sones	BHP	Sones	BHP	Sones	BHP	Sones	BHP	Sones	BHP	Sones	BHP	Sones	BHP	Sones	BHP	Sones	BHP	Sones	BHP	Sones
353	4689		3528																					
	0.28	6.6	0.29	6.1																				
410	5701		4921		3373																			
	0.42	7.6	0.45	8.1	0.42	7.8																		
486	6975		6385		5706		4510		1309															
	0.68	10.5	0.72	10.0	0.75	10.0	0.74	9.6	0.41	7.4														
520	7536		7010		6372		5664		3821		431													
	0.82	11.9	0.87	11.3	0.91	11.3	0.93	11.3	0.82	10.1	0.36	6.2												
587	8628		8185		7666		7099		6472		5154													
	1.16	14.1	1.23	13.4	1.27	13.3	1.31	13.5	1.34	12.6	1.27	12.1												
595	8758		8320		7816		7253		6671		5515													
	1.21	14.4	1.28	13.7	1.32	13.7	1.36	13.9	1.39	13.1	1.36	12.4												
670	9966		9577		9172		8705		8201		7711		5534		442									
	1.71	17.3	1.78	17.2	1.85	15.8	1.90	15.2	1.94	15.7	1.97	15.2	1.84	13.6	0.75	8.0								
710	10606		10239		9872		9453		8981		8521		7199		3635									
	2.02	19.3	2.10	18.6	2.18	17.8	2.23	18.3	2.28	17.2	2.32	17.1	2.35	16.2	1.72	17.8								
775	11641		11305		10969		10615		10219		9784		8932		7370		3765							
	2.62	21	2.70	21	2.78	21	2.86	19.5	2.92	20	2.97	20	3.05	22	3.01	19.6	2.17	19.3						
825	12434		12119		11803		11488		11134		10745		9940		9025		7017		3121					
	3.15	23	3.23	23	3.32	22	3.41	21	3.48	21	3.54	21	3.64	20	3.71	19.7	3.48	19.3	2.31	20				
875	13225		12927		12630		12332		12018		11678		10907		10163		9010		6697		2787			
	3.74	27	3.83	26	3.92	25	4.02	25	4.11	25	4.17	24	4.29	24	4.38	24	4.41	22	3.97	24	2.54	23		
926	14029		13748		13467		13186		12905		12592		11902		11183		10438		9047		6567		2792	
	4.43	28	4.52	29	4.61	28	4.71	28	4.82	28	4.90	28	5.04	27	5.14	21	5.22	24	5.17	23	4.52	24	2.94	21
1010	15351		15093		14835		14578		14320		14062		13478		12816		12165		11497		10391		8571	
	5.73	33	5.83	34	5.93	33	6.03	32	6.14	32	6.26	33	6.42	32	6.56	31	6.68	26	6.76	27	6.78	26	6.38	27
1135	17311		17082		16852		16623		16394		16164		15696		15176		14594		13988		13438		12806	
	8.10	41	8.21	42	8.32	39	8.44	38	8.55	38	8.68	39	8.93	37	9.10	35	9.27	35	9.41	35	9.52	34	9.61	33

Fan Model	HP	RPM Range	Est. Unit Wt. lbs.	Est. Ship Wt. lbs.
XB300	1 Hp	353 - 520	550	608
XB300	1-1/2 Hp	410 - 595	560	620
XB300	2 Hp	486 - 670	560	622
XB300	3 Hp	587 - 775	570	638
XB300	5 Hp	710 - 875	600	654
XB300	7-1/2 Hp	825 - 1010	650	719
XB300	10 Hp	926 - 1135	700	739

In-Line Centrifugal Fans

Power rating (BHP) does not include transmission losses. Performance certified is for installation type A: Free inlet, free outlet. Performance ratings do not include the effects of appurtenances (accessories). The sound ratings shown are loudness values in hemispherical sones at 1.5 m (5ft) in a hemispherical free field calculated per AMCA Standard 301. Values are shown for Installation Type A: Free Inlet hemispherical fan sone levels. The brake horsepower capability of an exhaustor motor is dependent on the degree of cooling the motor receives from the air moving through the motor. The motor loading beyond the motor name-plate rating does not overheat the motor and is in accordance with the motor manufacturer's recommendations. It is, therefore, not detrimental to the motor and economically desirable.

XB365

PERFORMANCE DATA

CFM and Sones vs. Static Pressure

RPM	0.125"		0.250"		0.375"		0.500"		0.625"		0.750"		1.000"		1.250"		1.500"		1.750"		2.000"		2.250"	
	BHP	Sones	BHP	Sones	BHP	Sones	BHP	Sones	BHP	Sones	BHP	Sones	BHP	Sones	BHP	Sones	BHP	Sones	BHP	Sones	BHP	Sones	BHP	Sones
310	7603		6263		1395																			
	0.50	6.7	0.53	11.3	0.28	6.0																		
366	9379		8321		7064		2965																	
	0.80	9.7	0.84	9.3	0.87	8.7	0.60	8.3																
436	11514		10674		9754		8757		6565		1562													
	1.31	14.0	1.38	13.2	1.43	12.9	1.46	12.4	1.35	12.0	0.72	8.6												
450	11933		11127		10253		9330		7794		3902													
	1.44	14.8	1.51	14.0	1.56	13.8	1.61	13.2	1.58	13.0	1.14	11.4												
505	13567		12874		12126		11319		10499		9343		2068											
	2.01	16.7	2.10	16.6	2.16	16.0	2.22	15.0	2.27	15.8	2.26	14.9	1.17	17.1										
550	14892		14262		13592		12899		12125		11385		8164											
	2.57	19.3	2.67	19.6	2.76	19.0	2.82	18.0	2.89	17.2	2.93	18.4	2.68	16.5										
555	15038		14415		13753		13068		12307		11567		8622		642									
	2.64	19.9	2.74	19.9	2.83	19.0	2.90	18.5	2.96	17.4	3.01	18.5	2.82	16.6	1.16	9.4								
621	16965		16415		15845		15239		14627		13953		12567		9684		2959							
	3.67	22	3.79	21	3.90	21	3.99	21	4.06	21	4.13	20	4.23	19.1	3.96	18.4	2.29	16.4						
675	18532		18026		17510		16972		16410		15846		14578		13221		10128		3916					
	4.69	26	4.82	25	4.94	25	5.06	25	5.14	24	5.22	24	5.38	24	5.43	23	4.99	22	3.19	22				
680	18677		18175		17663		17131		16573		16014		14761		13452		10584		4757					
	4.80	26	4.92	25	5.05	25	5.16	26	5.25	24	5.33	24	5.49	24	5.56	24	5.19	23	3.55	23				
760	20986		20537		20088		19623		19145		18645		17624		16494		15368		13602		9646		3528	
	6.66	31	6.80	32	6.94	30	7.08	31	7.21	29	7.31	31	7.48	28	7.66	29	7.75	29	7.66	28	6.55	28	4.16	26
815	22567		22149		21730		21305		20868		20414		19482		18487		17439		16354		14690		11258	
	8.19	35	8.34	34	8.49	33	8.64	34	8.79	33	8.92	33	9.12	32	9.30	32	9.48	31	9.56	29	9.46	29	8.44	30

Fan Model	HP	RPM Range	Est. Unit Wt. lbs.	Est. Ship Wt. lbs.
XB365	1-1/2 Hp	310 - 450	805	865
XB365	2 Hp	366 - 505	810	873
XB365	3 Hp	436 - 555	820	891
XB365	5 Hp	550 - 675	820	894
XB365	7-1/2 Hp	621 - 760	920	970
XB365	10 Hp	680 - 815	940	990

Power rating (BHP) does not include transmission losses. Performance certified is for installation type A: Free inlet, free outlet. Performance ratings do not include the effects of appurtenances (accessories). The sound ratings shown are loudness values in hemispherical sones at 1.5 m (5ft) in a hemispherical free field calculated per AMCA Standard 301. Values are shown for Installation Type A: Free Inlet hemispherical fan sone levels. The brake horsepower capability of an exhaustor motor is dependent on the degree of cooling the motor receives from the air moving through the motor. The motor loading beyond the motor nameplate rating does not overheat the motor and is in accordance with the motor manufacturer's recommendations. It is, therefore, not detrimental to the motor and economically desirable.

XB425

PERFORMANCE DATA

CFM and Sones vs. Static Pressure

RPM	0.125"		0.250"		0.375"		0.500"		0.625"		0.750"		1.000"		1.250"		1.500"		1.750"		2.000"		2.250"	
	BHP	Sones	BHP	Sones	BHP	Sones	BHP	Sones	BHP	Sones	BHP	Sones	BHP	Sones	BHP	Sones	BHP	Sones	BHP	Sones	BHP	Sones	BHP	Sones
255	9137		7287																					
	0.44	5.9	0.50	5.5																				
300	11294		9865		8107		739																	
	0.69	7.9	0.77	7.1	0.83	6.5	0.34	3.8																
355	13797		12646		11429		9953		7492															
	1.09	10.9	1.20	10.8	1.29	9.9	1.36	9.2	1.32	9.0														
380	14913		13864		12735		11482		9923		6252													
	1.31	12.5	1.44	12.8	1.54	11.6	1.63	11.2	1.68	10.2	1.46	10.0												
415	16460		15536		14510		13465		12248		10768													
	1.68	13.2	1.83	13.7	1.94	13.3	2.05	12.8	2.14	12.5	2.19	11.9												
445	17775		16926		15989		15025		14009		12828		8810											
	2.05	15.4	2.21	15.4	2.34	14.8	2.47	14.1	2.56	13.8	2.66	13.5	2.53	13.6										
475	19083		18292		17441		16545		15633		14629		12093		1444									
	2.46	17.2	2.64	17.6	2.79	17.0	2.93	16.6	3.05	15.8	3.15	15.5	3.28	14.6	1.41	9.8								
525	21249		20539		19811		19006		18193		17368		15496		13000		3526							
	3.28	19.7	3.48	21	3.66	20	3.82	19.5	3.97	19.4	4.10	19.1	4.33	17.7	4.42	16.4	2.48	12.7						
545	22111		21428		20729		19972		19191		18401		16689		14609		10788							
	3.66	21	3.86	23	4.05	22	4.22	21	4.38	21	4.53	21	4.77	19.6	4.96	18.1	4.64	17.5						
565	22972		22313		21642		20930		20177		19420		17840		15969		13307		2951					
	4.06	22	4.27	24	4.47	24	4.66	23	4.82	23	4.98	22	5.24	22	5.47	19.9	5.48	18.4	2.80	13.9				
645	26399		25822		25245		24653		24034		23375		22048		20699		19100		17296		14634		5212	
	5.97	26	6.21	33	6.45	32	6.68	31	6.89	31	7.07	30	7.44	29	7.73	28	8.02	26	8.22	25	8.08	24	4.98	24
690	28319		27780		27240		26694		26138		25540		24306		23056		21737		20228		18523		16102	
	7.27	28	7.53	35	7.78	36	8.03	36	8.27	35	8.48	35	8.88	34	9.26	32	9.55	31	9.86	30	10.06	29	9.96	27

Fan Model	HP	RPM Range	Est. Unit Wt. lbs.	Est. Ship Wt. lbs.
XB425	1-1/2 Hp	255 - 380	1190	1240
XB425	2 Hp	300 - 415	1190	1248
XB425	3 Hp	355 - 475	1220	1266
XB425	5 Hp	445 - 565	1220	1270
XB425	7-1/2 Hp	525 - 645	1290	1346
XB425	10 Hp	545 - 690	1340	1395

In-Line Centrifugal Fans

Power rating (BHP) does not include transmission losses. Performance certified is for installation type A: Free inlet, free outlet. Performance ratings do not include the effects of appurtenances (accessories). The sound ratings shown are loudness values in hemispherical sones at 1.5 m (5ft) in a hemispherical free field calculated per AMCA Standard 301. Values are shown for Installation Type A: Free Inlet hemispherical fan sone levels. The brake horsepower capability of an exhaustor motor is dependent on the degree of cooling the motor receives from the air moving through the motor. The motor loading beyond the motor nameplate rating does not overheat the motor and is in accordance with the motor manufacturer's recommendations. It is, therefore, not detrimental to the motor and economically desirable.

Your Representative is

ACME ENGINEERING & MANUFACTURING CORPORATION

P.O. Box 978 | Muskogee, Oklahoma 74402 | Telephone 918/682-7791

Fax 918/682-0134 | www.acmefan.com | e-mail: acmefan@acmefan.com

Member Air Movement and Control Association International, Inc.

October 2018 Form C189G